

DATASHEET

DCPH30M

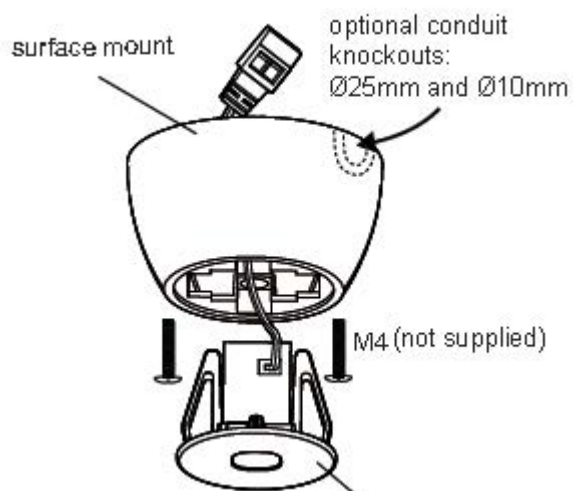
DALIcontrol Surface-ceiling-mounting housing for PIR sensors and light level 30-Mechanism

Application

The DCPH30M Surface-mount housing is designed to install DaliControl PIR motion and Light level sensors at a ceiling. It has conduit knockouts, 10mm or 25mm in diameter.

Features

- Ceiling-Surface-mounting of DALIcontrol PIR sensor and light level sensors



Schneider Electric (Australia) Pty Ltd reserves the right to change specifications, modify designs and discontinue items without incurring obligation and whilst every effort is made to ensure that descriptions, specifications and other information in this catalogue are correct, no warranty is given in respect thereof and the company shall not be liable for any error therein.
© 2015 Schneider Electric. All Rights Reserved.
Trademarks are owned by Schneider Electric Industries SAS or its affiliated companies.