

Installation Guide

DCPH30M-Ceiling Mount

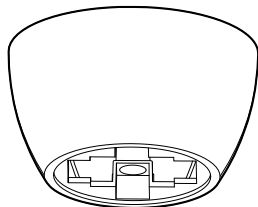
The DCPH30M is a plastic mount which allows for the surface fitment of the 30 Series Sensor.

DANGER

HAZARD OF ELECTRIC SHOCK, EXPLOSION, OR ARC FLASH

- It is illegal for persons other than an appropriately licensed electrical contractors or other persons authorised by legislation to work on the fixed wiring of any electrical installation.
- To comply with AS/NZS3100 safety standard, the product must be used only for the purpose described in this instruction and must be installed in accordance with the wiring rules and regulation in the location where it is installed.
- Hazardous voltage may be present at the wire leads of this product.
- Lock out and tag the input circuit before accessing the wiring connections.

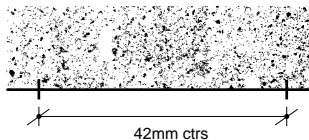
Failure to follow these instructions will result in death or serious injury

**1**

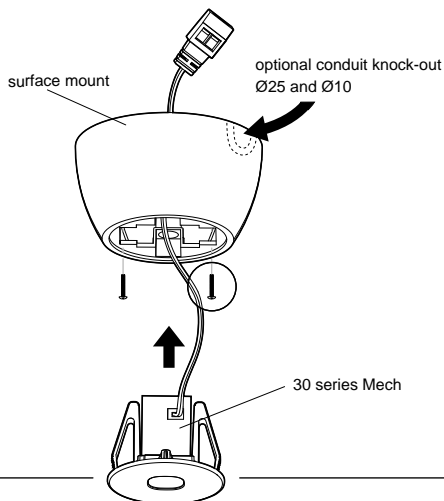
Surface Mount



Mark out centres for screw anchors.



NOTICE Use appropriate fastener type depending on surface attached.



2

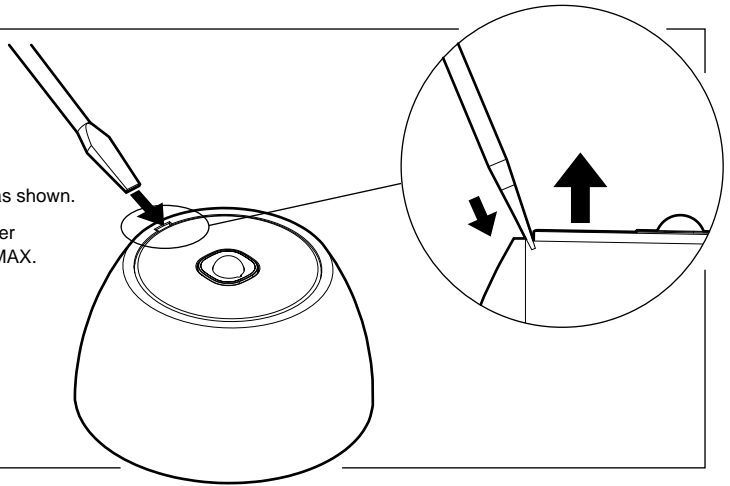
Removal

NOTICE

Gently pry the release notch as shown.



Only use flat screwdriver
(standard) 5mm wide MAX.



Warranty

The Clipsal by Schneider Electric product carries a two-year warranty against manufacturing defects.

Warranty Statement

The benefits conferred herein are in addition to, and in no way shall be deemed to derogate; either expressly or by implication, any or all other rights and remedies in respect to the product that the consumer has under the Commonwealth Trade Practices Act or any other similar State or Territory Laws.

The warrantor is Schneider Electric Australia Pty Ltd, 33-37 Port Wakefield Road, Gepps Cross, South Australia 5094.

This product is guaranteed against faulty workmanship and materials for a period of two (2) years from the date of installation.

Schneider Electric Australia Pty Ltd reserves the right, at its discretion, to either repair free of parts and labour charges, replace or offer refund in respect to any article found to be faulty due to materials, parts or workmanship.

This warranty is expressly subject to the product being installed, wired, tested, operated and used in accordance with the manufacturer's instructions. Should the product that is the subject of the claim be found to be in good working order all costs incurred to replace the product shall be met by the claimant.

When making a claim the consumer shall contact the local Schneider Electric office and provide particulars of the defect within 28 days of the fault occurring. Return authorization is required before the product is sent to Schneider Electric. Returned items must be securely packed, complete with details of the date and place of purchase, description of load, and circumstances of malfunction.