

# Installation Instructions

## 1.0 Product Range

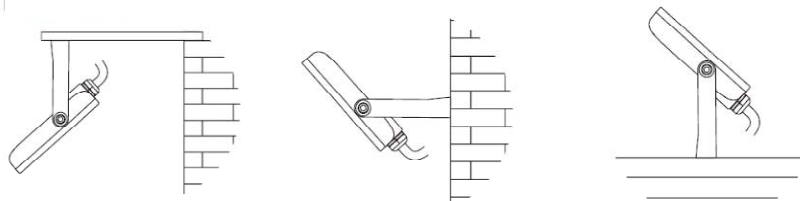
<b>FLS10LED</b>	10W LED Floodlight, 240Vac, 4000K
<b>FLS20LED</b>	20W LED Floodlight, 240Vac, 4000K

## 2.0 Installation Requirements

- This equipment must only be installed and serviced by an appropriately licensed electrical person
- All wiring and installation of this product must adhere to local and national wiring rules. eg. AS/NZS 3000 Electrical installations.
- The product is class I and must be earthed
- Check whether the product has been damaged during transport. Do not operate/install any product which appears damaged in any way. Return the complete product to the place of purchase for inspection, repair or replacement.
- Take care not to pull any electrical wires during unpacking as this may damage the connection.
- Isolate the electrical supply before doing any work on this equipment.
- Select a suitable location for installation. This product is protected against water penetration to IP65 standards.
- Avoid touching the unit during and after use as the temperature of the unit may be hot to touch
- No user or serviceable parts inside

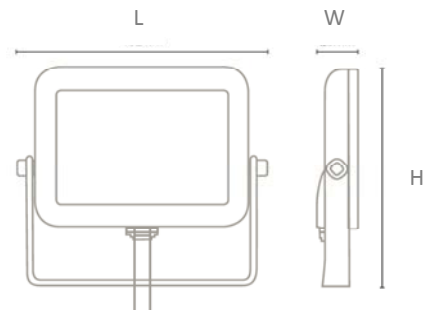
## 3.0 Installation Instructions

1. Remove all packaging material from the product
2. Use mounting bracket to mark hole centres for fixing. Drill holes suitable to accept wall plugs.
3. Secure mounting bracket using appropriate fasteners
4. Safely terminate wiring to maintain IP rating. Pay particular attention to any markings.
5. Check seals, gaskets and cable gland operation before operating the product.



## 4.0 Technical Specifications

CAT #	FLS10LED	FLS20LED
<b>Voltage / Frequency</b>	240Vac, 50Hz	
<b>IP Rating</b>	IP65	
<b>Power Consumption</b>	10W	20W
<b>Beam Angle</b>	105 Degrees	
<b>Dimensions (LxHxW)</b>	152x130x25mm	213x180x27.5mm
<b>Weight</b>	410g	890g
<b>Material</b>	Aluminium / Toughened Glass	
<b>Lumens</b>	600lm	1200lm
<b>Operating temperature °C</b>	-10 / +45°C	
<b>Operating Humidity %</b>	10% - 95% RH, non condensing	
<b>Storage temperature °r</b>	0 to +60°C	
<b>Storage Humidity %</b>	10% - 95% RH, non condensing	
<b>CRI</b>	>80	
<b>Colour Temp</b>	4000K	
<b>Lifespan (L70)</b>	36,000hrs	
<b>Dimming</b>	Product is non dimmable	



## 5.0 Warranty

1. The benefits conferred herein are in addition to and in no way shall be deemed to derogate; either expressly or by implication, any or all other rights and remedies in respect to the Clipsal by Schneider Electric product, which the consumer has under the Commonwealth Trade Practices Act or any other similar State or Territory Laws.
2. The warrantor is Schneider Electric (Australia) Pty Ltd of 33-37 Port Wakefield Road, Gepps Cross, South Australia 5094. With registered offices in all Australian states.
3. This Clipsal by Schneider Electric product is guaranteed against faulty workmanship and materials for a period of three (3) years from the date of installation.
4. Schneider Electric (Australia) Pty Ltd reserves the right, at its discretion, to either repair free of parts and labour charges, replace or offer refund in respect to any article found to be faulty due to materials, parts or workmanship.
5. This warranty is expressly subject to the Clipsal by Schneider Electric product being installed, wired, rested, operated and used in accordance with the manufacturer's instructions.
6. All costs of a claim shall be met by Schneider Electric (Australia) Pty Ltd, however should the product that is the subject to the claim be found to be in good working order all such costs shall be met by the claimant.
7. When making a claim the consumer shall forward the Clipsal by Schneider Electric product to the nearest office of Schneider Electric (Australia) Pty Ltd with adequate particulars of the defect within 28 days of the fault occurring. The product should be returned securely packed, complete with details of the date and place of purchase, description of load, and circumstances of malfunction.

---

**Schneider Electric (Australia) Pty Ltd**

Contact us: [clipsal.com/feedback](http://clipsal.com/feedback)

**National Customer Care Enquiries:**

Tel 1300 2025 25

Fax 1300 2025 56

**Schneider Electric (NZ) Pty Ltd****National Customer Care Enquiries:**

Tel 0800 652 999

Fax 0800 101 152

**clipsal.com**

Schneider Electric Pty Ltd reserves the right to change specifications, modify designs and discontinue items without incurring obligation and whilst every effort is made to ensure that descriptions, specifications and other information in this catalogue are correct, no warranty is given in respect thereof and the company shall not be liable for any error therein.

© 2014 Schneider Electric. All Rights Reserved.

Trademarks are owned by Schneider Electric Industries SAS or its affiliated companies.