

2000 Series Flush Switches

Specifications

Operational Voltage: 250V a.c. 50Hz
Maximum Load: 10A
AS/NZS 3133
Standard Colours: WE - White Electric, CM - Cream, BK - Black



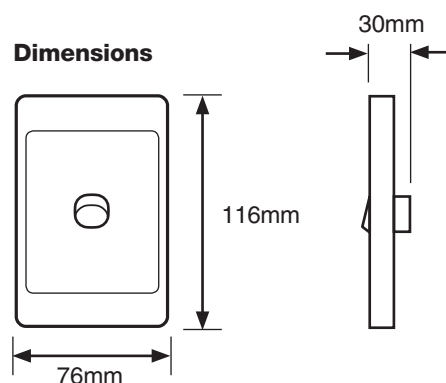
Applications

Recommended for residential and commercial environments, the 2000 Series is a combination of beautiful design, refinement and reliable performance.

2000 Series standard switches can be supplied in 1, 2, 3, 4, 5 and 6 gang formats, meaning that the gridplate and surround are the same size, however, a varying number of switch mechanisms may be used.

Architrave flush switches are available in 1, 2, 3 and 4 gang formats.

Dimensions



Features

- Available in 1, 2, 3, 4, 5 and 6 gang configuration.
- Horizontal or vertical mount.
- Metal cover finishes: GD – Gold, BA – Brushed Aluminium, CH – Chrome, GP - Gold Plate, and SP - Silver Plate (available on some models).

Cleaning Guidelines

It is not recommended to spray cleaning products directly on to electrical switches. Before cleaning, ensure that switches are isolated (switched off). Do not use any cleaning sprays - only wipe down with damp or dry cloth.

Ordering Guide

2000 Series

Horizontal and Vertical Flush Switches

STANDARD SIZE FLUSH SWITCHES - HORIZONTAL MOUNTING				
Cat. No.	Length	Width	Depth	Mounting Centres
All Products	116mm	76mm	30mm	84mm
2031HA	1 Gang Switch, 250V/10AX, 1 way/2 way - standard size gridplate and surround complete with one 30M switch in horizontal format.			
2032HA	2 Gang Switch, 250V/10AX, 1 way/2 way - standard size gridplate and surround complete with two 30M switches in horizontal format.			
2033HA	3 Gang Switch, 250V/10AX, 1 way/2 way - standard size gridplate and surround complete with three 30M switches in horizontal format.			
2034HA	4 Gang Switch, 250V/10AX, 1-way/2-way - standard size gridplate and surround complete with four 30M switches in horizontal format.			

STANDARD SIZE FLUSH SWITCHES - VERTICAL MOUNTING				
Cat. No.	Length	Width	Depth	Mounting Centres
All Products	116mm	76mm	30mm	84mm
2031VA	1 Gang Switch, 250V/10AX, 1-way/2-way - standard size gridplate and surround complete with one 30M switch in vertical format.			
2032VA	2 Gang Switch, 250V/10AX, 1-way/2-way - standard size gridplate and surround complete with two 30M switches in vertical format.			
2033VA	3 Gang Switch, 250V/10AX, 1-way/2-way - standard size gridplate and surround complete with three 30M switches in vertical format.			
2034VA	4 Gang Switch, 250V/10AX, 1-way/2-way - standard size gridplate and surround complete with four 30M switches in vertical format.			
2035VA	5 Gang Switch, 250V/10AX, 1-way/2-way - standard size gridplate and surround complete with five 30M switches in horizontal format.			
2036VA	6 Gang Switch, 250V/10AX, 1-way/2-way - standard size gridplate and surround complete with six 30M switches in vertical format.			

ARCHITRAVE FLUSH SWITCHES - VERTICAL MOUNTING				
Cat. No.	Length	Width	Depth	Mounting Centres
2030	76mm	35mm	30mm	55mm
2032A	86mm	35mm	30mm	70mm
2033A	141mm	35mm	30mm	124mm
2034A	141mm	35mm	30mm	124mm
2030	1 Gang Switch, 250V/10AX, 1-way/2-way - architrave size gridplate and surround complete with one 30M switch in vertical format.			
2032A	2 Gang Switch, 250V/10AX, 1-way/2-way - architrave size gridplate and surround complete with two 30M switch in vertical format.			
2033A	3 Gang Switch, 250V/10AX, 1-way/2-way - architrave size gridplate and surround complete with three 30M switch in vertical format.			
2034A	4 Gang Switch, 250V/10AX, 1-way/2-way - architrave size gridplate and surround complete with four 30M switch in vertical format.			

Schneider Electric (Australia) Pty Ltd

33-37 Port Wakefield Road,
Gepps Cross, South Australia 5094

Contact us clipsal.com/feedback

National Customer Care Enquiries:
1300 2025 25

clipsal.com

Schneider Electric (Australia) Pty Ltd reserves the right to change specifications, modify designs and discontinue items without incurring obligation and whilst every effort is made to ensure that descriptions, specifications and other information in this document are correct, no warranty is given in respect thereof and the company shall not be liable for any error therein.

© 2014 Schneider Electric. All Rights Reserved.

Trademarks are owned by Schneider Electric Industries SAS or its affiliated companies.