

30USBCM USB Charger Mech

1.2A, 5V DC

Specifications

- 230V AC input
- 1.2A, 5V DC output
- Compatible with Clipsal 30 Series apertures
- Low standby power



The Clipsal USB Charger Mech is designed to fit into 30 Series Aperture Wall Plates and Sockets, in both bracket and wall box environments. With up to 1.2A of charge current available, its smart-charging technologies ensure devices such as phones, tablets, cameras and eBook readers can be charged at the maximum safe rate governed by the device.

The 30USBCM will also fit into the extra mech aperture on the 2025XUA and C2025XUA Twin Sockets for a simple replacement of existing twin sockets.

Applications

The Clipsal 30 Series USB Charger Mech can be added to wall plates with switches and dimmers present. They are perfect next to bedside tables around the home or in hotel rooms. These versatile charging mechs can go anywhere, including schools, universities, airports and hospitals.

Up to three 30 Series USB Charging Mechs can be inserted into each Clipsal Wall Plate, so you can charge multiple devices simultaneously. They can be fitted into both standard and fire-rated wall boxes.

Features

- Compliant with USB Charging Specification BC1.2.
- Includes cable compensation capabilities to ensure maximum charge rates for devices.
- Extremely low standby power (< 0.07W).
- Match coloured plates with compatible colour caps, to suit decor or identify type of power in a commercial environment.
- SELV output (no "tag and test" required for charging devices in commercial applications).
- Internal protection when thermal and electrical tolerances are exceeded.
- Compatible with smart-charging devices to minimise charge times.

Ordering Details

Catalogue Number	Description
30USBCM	30 Series Mech, USB charging outlet module 1.2A with White cap

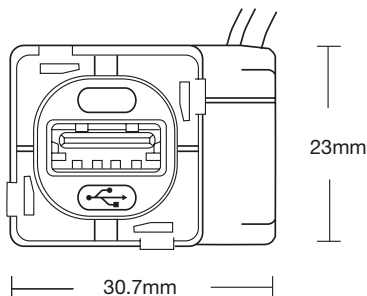
Accessories

Catalogue Number	Description
USBC-CAPS-CM	Packet of 5 x Cream coloured caps to suit USB charging mech
USBC-CAPS-DS	Packet of 5 x Desert Sand coloured caps to suit USB charging mech
USBC-CAPS-SG	Packet of 5 x Soft Grey coloured caps to suit USB charging mech
USBC-CAPS-BK	Packet of 5 x Black coloured caps to suit USB charging mech
USBC-CAPS-BR	Packet of 5 x Brown coloured caps to suit USB charging mech
USBC-CAPS-DB	Packet of 5 x Dark Blue coloured caps to suit USB charging mech
USBC-CAPS-RD	Packet of 5 x Red coloured caps to suit USB charging mech
USBC-CAPS-GR	Packet of 5 x Green coloured caps to suit USB charging mech
USBC-CAPS-3A	Packet of 5 x Arctic Silver coloured caps to suit USB charging mech
USBC-CAPS-3S	Packet of 5 x Chrome Shadow coloured caps to suit USB charging mech

Plate Compatibility

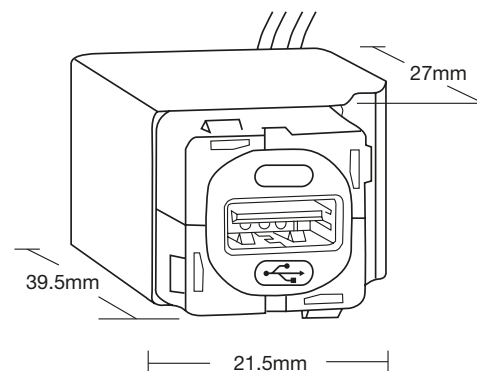
Series	Plates
2000 Series	2015X / 2015XX / 2025X* / Up to 3-gang switch plates
C2000 Series	C2015X / C2015XX / C2025X* / Up to 3-gang switch plates
SC2000 Series	SC2015X / SC2015XX / Up to 3-gang switch plates
Standard Series	15X / 15XX / Up to 3-gang switch plates
Saturn	Up to 3-gang data plates
Strato / Modena	With 30 Mech adaptor

*Compatible mounting hardware for 2025X and C2025X are 154, 154RM, 154/1, 155NAR, 155VNAR, 155PRM, 156/2, 157, 164, 449A. Only use the mounting hardware recommended by Clipsal.



Specifications

General	
Supply Voltage	230V AC
Output Voltage	4.75 – 5.25V DC
Maximum Output Power	6W
Application	Charging only for portable devices with rechargeable batteries
Output Connection	Standard USB, Type A
Output Current	1.2A maximum
Standby Power	<0.07W
Dimensions	23mm (H) x 30.7mm (W) x 39.5mm (D)
Weight	30g
Safety Approval	IEC60950-1: Information Technology Equipment, Safety, General Requirements. AS/NZS3100: Approval and Test Specification, General Requirements for Electrical Equipment.
EMC Approval	CISPR 22: Information Technology Equipment, Radio Disturbance Characteristics, Limits and Methods of Measurement. AS/NZS4665: Performance of External Power Supplies, Test Methods and Energy Performance Mark.
Operating Temperature	5°C – 35°C (25°C nominal)
Operating Humidity	5% – 90% (RH non-condensing)
Storage Temperature	0°C – 50°C (25°C nominal)
Storage Humidity	5% – 95% (RH non-condensing)



Schneider Electric (Australia) Pty Ltd

33-37 Port Wakefield Road,
Gepps Cross, South Australia 5094

Contact us clipsal.com/feedback

National Customer Care Enquiries:
1300 669 925

clipsal.com

Schneider Electric (Australia) Pty Ltd reserves the right to change specifications, modify designs and discontinue items without incurring obligation and whilst every effort is made to ensure that descriptions, specifications and other information in this document are correct, no warranty is given in respect thereof and the company shall not be liable for any error therein.

© 2014 Schneider Electric. All Rights Reserved.

Trademarks are owned by Schneider Electric Industries SAS or its affiliated companies.