

Saturn/Impress Push Button Intermediate Kit 30/60PBI

Installation Instructions

This housed impulse relay kit allows control of light switching from one push-button to unlimited push-buttons via 240V a.c. impulse signals. Ensure all mains are isolated prior to removing any covers.

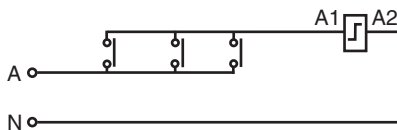
Assembly Instructions

The impulse relay mounts in the 4CC2, offering plenty of room for wiring. The clip-on protective cover prevents the ingress of dust and ensures the relay seats in the centre of the enclosure. Mount the 4CC2 in any suitable location in the ceiling space.

Wiring Instructions

Switching Circuit Wiring Details

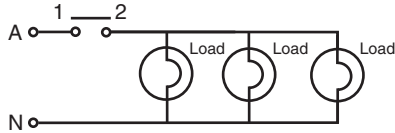
An unlimited number of momentary action push-buttons can be connected in parallel. The impulse relay is only suitable for impulse signals. Under no circumstances can the relay receive a continuous 240V a.c. signal using any latching type switch. Continuous potential across the impulse relay will cause irreparable damage.



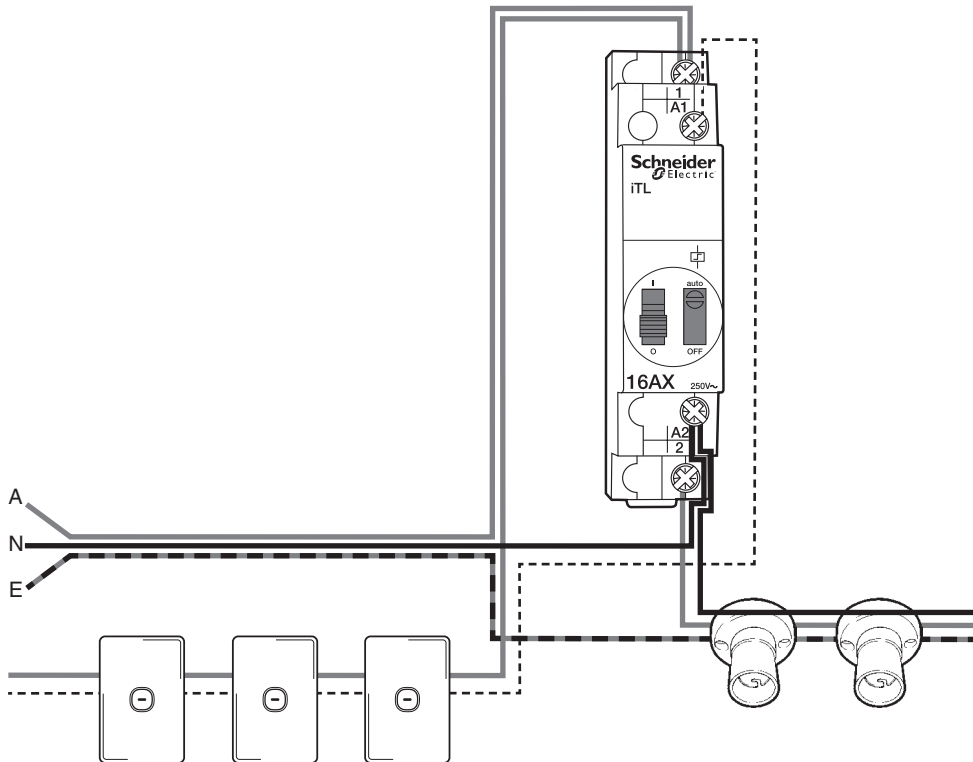
Wiring Instructions Continued

Load Circuit Wiring Details

Single pole switching is achieved by connecting to terminals one (1) and two (2) on the impulse relay.



Typical Installation



Schneider Electric (Australia) Pty Ltd

Contact us: clipsal.com/feedback

National Customer Care Enquiries:

Tel 1300 2025 25

Fax 1300 2025 56

clipsal.com

Schneider Electric (Australia) Pty Ltd reserves the right to change specifications, modify designs and discontinue items without incurring obligation and whilst every effort is made to ensure that descriptions, specifications and other information in this catalogue are correct, no warranty is given in respect thereof and the company shall not be liable for any error therein.

© 2014 Schneider Electric. All Rights Reserved.

Trademarks are owned by Schneider Electric Industries SAS or its affiliated companies.