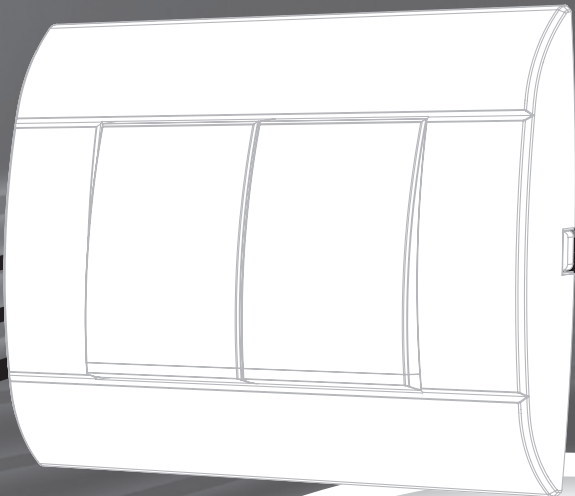


CLIPSAL[®]

by **Schneider** Electric



C-Bus[®]

Large Rocker Switch

509xNL

Series



Installation Instructions

Contents

| | | |
|------|-----------------------------------|-----|
| 1.0 | Product Range | 3 |
| 2.0 | Important Notes | 3 |
| 3.0 | Description | 3 |
| 4.0 | Installation Considerations | 4 |
| 5.0 | Mounting Instructions..... | 4-5 |
| 6.0 | C-Bus Network Connection | 5-6 |
| 7.0 | C-Bus Power Requirements..... | 7 |
| 8.0 | Megger Testing..... | 7 |
| 9.0 | Programming Requirements | 7 |
| 10.0 | Electrical Specifications | 8 |
| 11.0 | Mechanical Specifications | 9 |
| 12.0 | Standards Complied..... | 10 |
| 13.0 | Warranty | 11 |

1.0 Product Range

5091NL,WE 1 Button C-Bus Large Rocker Switch

5092NL,WE 2 Button C-Bus Large Rocker Switch

5093NL,WE 3 Button C-Bus Large Rocker Switch

2.0 Important Notes

- Do not connect mains to C-Bus Large Rocker Switches.
- The use of any software not provided by Clipsal Integrated Systems (CIS) in conjunction with the installation of this product, may void any warranties applicable to the hardware.

3.0 Description

The 509xNL C-Bus Large Rocker Switch is an accessible C-Bus wall switch range suitable for people with a disability and aged care applications.

Units feature up to three buttons, scene management and learn mode capability.

4.0 Installation Considerations

It is important to select the right location to install a C-Bus Large Rocker switch. Some considerations include:

- provide easy access to the unit for switching lights and selecting scenes
- choose a location free of water, excess humidity, prolonged direct sunlight and heavy dust
- C-Bus Large Rocker switches are designed for indoor use only
- units are normally mounted horizontally.

5.0 Mounting Instructions

There are several options for mounting a C-Bus Large Rocker switch. You can:

- use a wall box (in solid or stud walls)
- use a c-clip or mounting flange (in stud/plasterboard walls)
- screw directly into wall plugs.

C-Bus Large Rocker Switches suit standard 84mm centre mounting accessories such as the Clipsal 155 and 157/1. Mounting using a c-clip is shown in Figure 1. Mounting using a 157/1 wall box is shown in Figure 2.

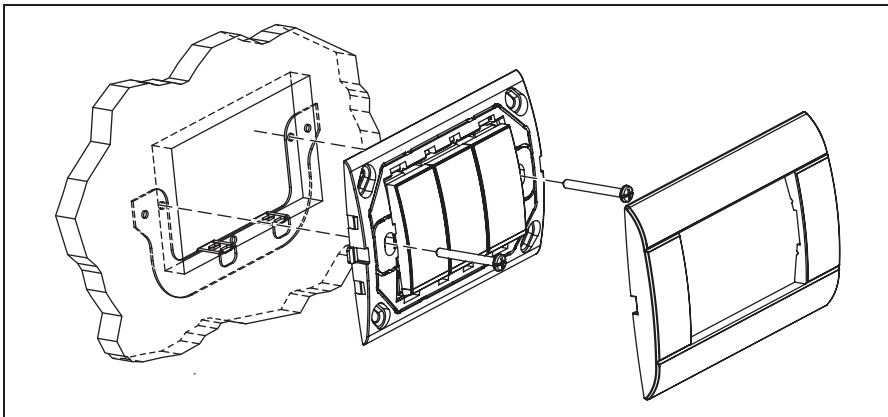


Figure 1 - Mounting a C-Bus Large Rocker Switch using a c-clip

5.0 Mounting Instructions

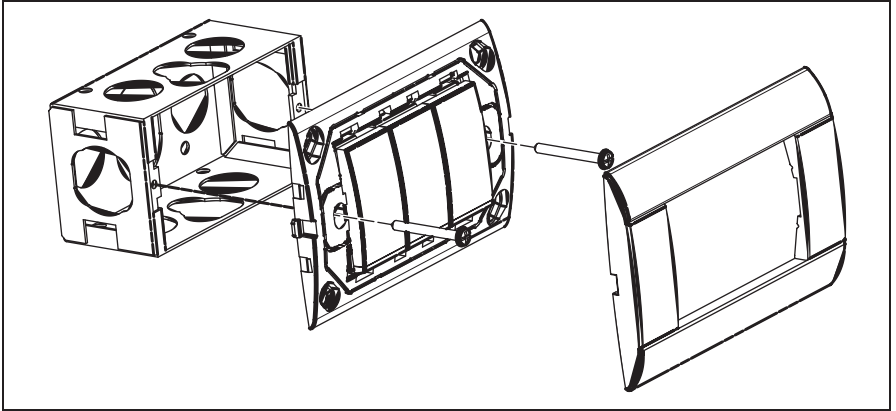


Figure 2 - Mounting a C-Bus Large Rocker Switch using a 157/1 wall box

6.0 C-Bus Network Connection

Installation of a C-Bus Large Rocker Switch on the C-Bus network requires connection to the unshielded twisted pair C-Bus cable. Connection should be made using Category 5 (Cat. 5) data cable, Clipsal catalogue number 5005C305B.

Figure 3 and Table 1 identify the connections required between the C-Bus Cat. 5 cable and 509xNL switch. Terminal locations are shown in Figure 5.

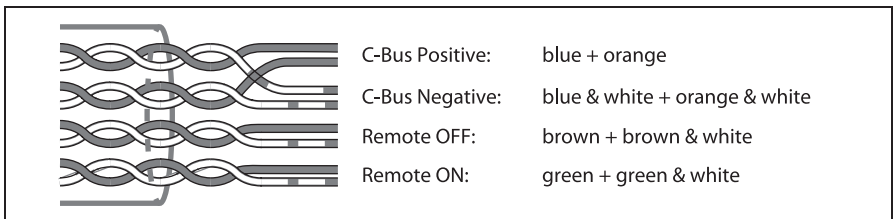


Figure 3 - C-Bus cable conductor assignments

6.0 C-Bus Network Connection

| C-Bus Connection | Colour | 509xNL Connection |
|--------------------|------------------|-------------------|
| Remote ON | green and white | N/A |
| Remote ON | green | N/A |
| C-Bus Negative (-) | orange and white | yes |
| C-Bus Positive (+) | blue | yes |
| C-Bus Negative (-) | blue and white | yes |
| C-Bus Positive (+) | orange | yes |
| Remote OFF | brown and white | N/A |
| Remote OFF | brown | N/A |

Table 1 - C-Bus cable connections

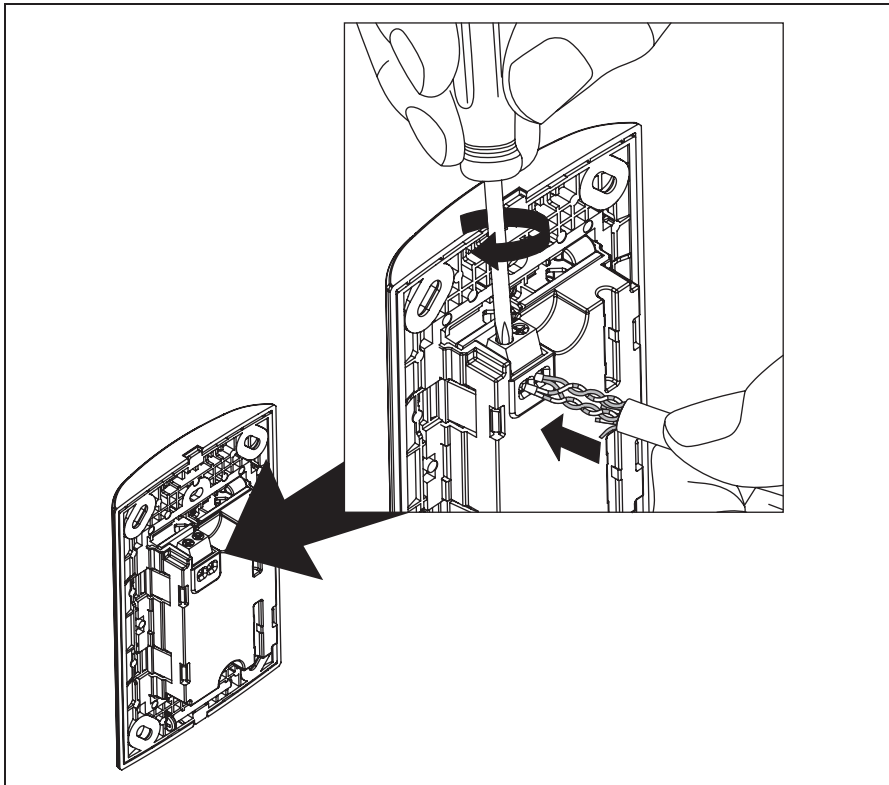


Table 2 - Connecting a C-Bus Large Rocker Switch to the C-Bus network

7.0 C-Bus Power Requirements

The 509xNL C-Bus Large Rocker Switch draws 18 mA from the C-Bus network. Adequate C-Bus Power Supply Units must be installed to support the connected devices.

The Network window of a C-Bus Toolkit project provides a summary of a C-Bus network according to the units added to the database. This can be helpful in determining the power supply requirements of a particular network.

8.0 Megger Testing

Important points when megger testing an electrical installation:

- only megger test when mains cabling is disconnected from C-Bus output units
- do not megger test the C-Bus cable.

9.0 Programming Requirements

C-Bus Large Rocker Switches are learn enabled devices. This means you can create relationships between input and output units without a computer (using learn mode).

Learn mode allows you to link multiple units into a common network. You can assign a load such as a light on a dimmer unit, with a controller such as the C-Bus Large Rocker Switch, by touching the two units one after the other. Refer to the “Quick Start Guide to Programming: C-Bus2 Learn Units” booklet for more information.

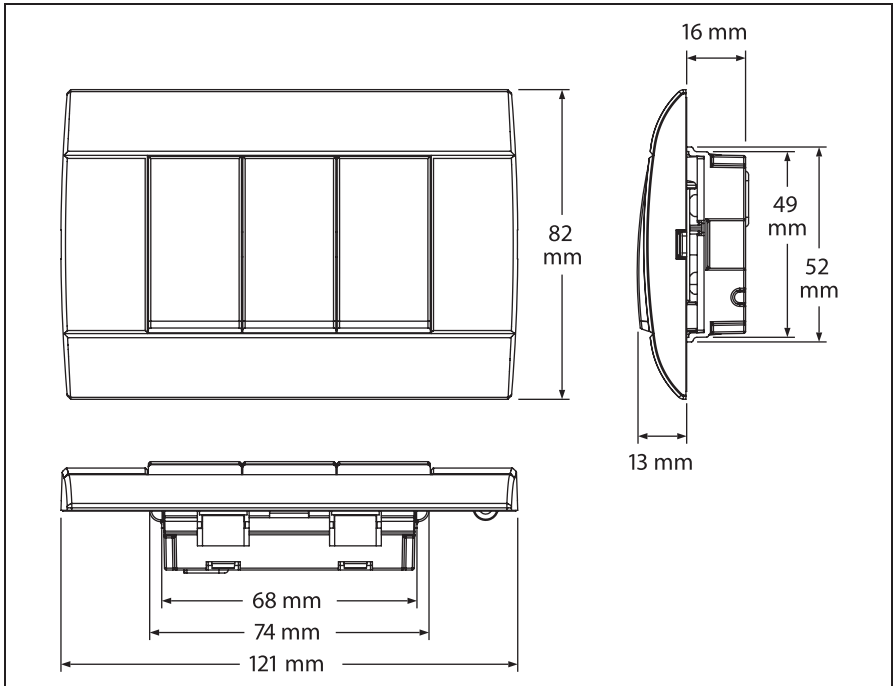
In a sophisticated installation, some of the basic settings created by learn mode may need to be overridden to create a particular effect. The latest C-Bus Toolkit software may be downloaded from the Clipsal Integrated Systems website (www.clipsal.com/cis).

10.0 Electrical Specifications

| Parameter | Description |
|----------------------------------|---|
| C-Bus supply voltage | 15 to 36V DC, 18mA for normal operation. Does not provide current to the C-Bus network. |
| C-Bus AC input impedance | 100k Ω @1 kHz |
| Electrical isolation | 3.75kV RMS from C-Bus to mains (provided externally to 509xNL Series unit) |
| Max. number of units per network | 100 |
| Control functions | Load switching, dimming, timers, scene control |
| Status indicators | User configurable green and red |
| Warm-up time | 5 seconds |
| C-Bus connection | One terminal block to accommodate 0.2 to 1.3mm ² (24 to 16 AWG) |
| Operating temperature range | 0 to 45 °C |
| Operating humidity range | 10 to 95% RH |

11.0 Mechanical Specifications

| Parameter | Description |
|------------------------|---|
| Dimensions (W x H x D) | 121 x 82 x 29mm (4.76 x 3.23 x 1.14 inches) |
| Protrusion from wall | 13mm (0.51 inches) |
| Mounting centres | 84mm |
| Weight | 5091NL,WE - 87g |
| Weight | 5092NL,WE - 89g |
| Weight | 5093NL,WE - 91g |



12.0 Standards Complied

DECLARATIONS OF CONFORMITY

Australian/New Zealand EMC & Electrical Safety Frameworks and Standards

509xNL C-Bus Large Rocker Switches comply with the following:



| Regulation | Standard | Title |
|--------------|------------------------|---------------|
| EMC (C-Tick) | AS/NZS1044, CISPR 14-1 | RFI Emissions |

European Directives and Standards

509xNL C-Bus Large Rocker Switches comply with the following:



| European Council Directive | Standard | Title |
|-----------------------------|------------------------|--|
| EMC Directive 89/336/EEC | EN55014-1 | Electrical Motor operated and Thermal Appliances |
| | EN60669-2-1 | Switches for Household and Similar Fixed Electrical Installations Part 2-1 |
| | EN61000-3-2 | Limits for Harmonic Current Emissions |
| | EN61000-3-3 | Limitation of Voltage Changes, Fluctuations and Flicker |
| | EN61000-4-2 | Immunity to ESD |
| | EN61000-4-3 | Immunity to RF EM Fields |
| | EN61000-4-4 | Immunity to EFT |
| | EN61000-4-5 | Immunity to Surge Voltages |
| EN61000-4-6 | Continuous RF Immunity | |

Other International Directives and Standards

509xNL C-Bus Large Rocker Switches comply with the following:

| Regulation | IEC Standard | Title |
|------------|--------------|--|
| EMC | 60669-2-1 | Switches for Household and Similar Fixed Electrical Installations Part 2-1 |
| | 61000-3-2 | Limits for Harmonic Current Emissions |
| | 61000-3-3 | Voltage Fluctuations and Flicker Standard |
| | 61000-4-2 | Immunity to ESD |
| | 61000-4-3 | Immunity to RF EM Fields |
| | 61000-4-4 | Immunity to EFT |
| | 61000-4-5 | Immunity to Surge Voltages |

13.0 Warranty

Warranty Statement

1. The benefits conferred herein are in addition to, and in no way shall be deemed to derogate; either expressly or by implication, any or all other rights and remedies in respect to the Clipsal product, which the consumer has under the Commonwealth Competition and Consumer Act or any other similar State or Territory Laws.
2. The warrantor is Schneider Electric (Australia) Pty Ltd of 33-37 Port Wakefield Road, Gepps Cross, South Australia 5094. With registered offices in all Australian states.
3. This Clipsal product is guaranteed against faulty workmanship and materials for a period of two (2) years from the date of installation.
4. Schneider Electric (Australia) Pty Ltd reserves the right, at its discretion, to either repair free of parts and labour charges, replace or offer refund in respect to any article found to be faulty due to materials, parts or workmanship.
5. This warranty is expressly subject to the Clipsal product being installed, wired, tested, operated and used in accordance with the manufacturer's instructions.
6. All costs of a claim shall be met by Schneider Electric (Australia) Pty Ltd, however should the product that is the subject of the claim be found to be in good working order all such costs shall be met by the claimant.
7. When making a claim the consumer shall forward the Clipsal product to the nearest Clipsal by Schneider Electric office with adequate particulars of the defect within 28 days of the fault occurring. The product should be returned securely packed, complete with details of the date and place of purchase, description of load, and circumstances of malfunction.

Technical Support and Troubleshooting

For further assistance in using this product, consult your nearest Clipsal Integrated Systems (CIS) Sales Representative or Technical Support Officer.

| Technical Support Contact Numbers | |
|-----------------------------------|--|
| Australia | 1300 722 247 (CIS Technical Support Hotline) |
| New Zealand | 0800 888 219 (CIS Technical Support Hotline) |
| Northern Asia | 852 2484 4157 (Clipsal Hong Kong) |
| South Africa | (011) 314 5200 (C-Bus Technical Support) |
| Southern Asia | 603 7665 3555 Ext. 236 or 242 (CIS Malaysia) |
| United Kingdom | 0870 608 8 608 (Schneider Electric Support) |

Technical Support email: techsupport.cis@clipsal.com.au

Sales support email: sales.cis@clipsal.com.au

Worldwide contacts are provided at <http://www.clipsal.com/locations/>

Information and resources are provided at <http://www.clipsal.com/cis/>

Schneider Electric (Australia) Pty Ltd

Contact us: clipsal.com/feedback

National Customer Care Enquiries:

Tel 1300 2025 25

Fax 1300 2025 56

clipsal.com

Schneider Electric (Australia) Pty Ltd reserves the right to change specifications, modify designs and discontinue items without incurring obligation and whilst every effort is made to ensure that descriptions, specifications and other information in this catalogue are correct, no warranty is given in respect thereof and the company shall not be liable for any error therein.

© 2013 Schneider Electric. All Rights Reserved.
Trademarks are owned by Schneider Electric Industries SAS or its affiliated companies.