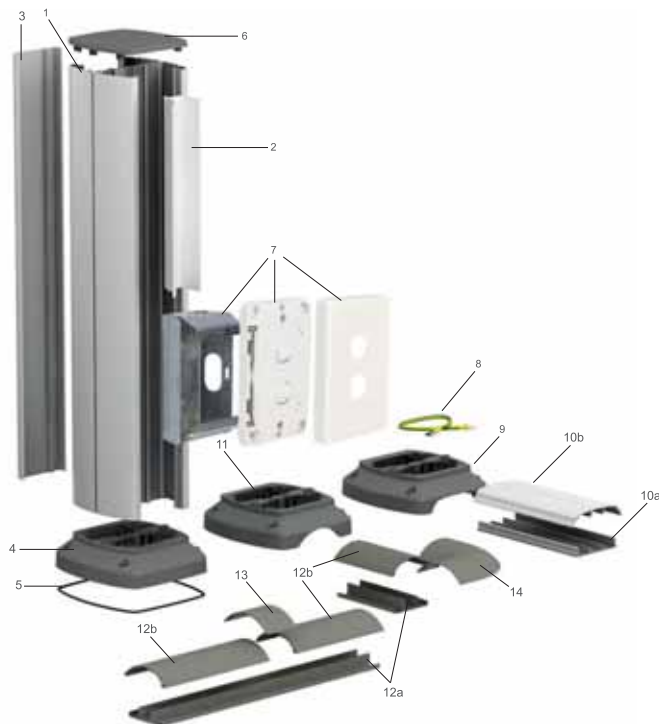


## Optiline 70 Posts



**Post**

- 1. Base profile
- 2. Partition profile
- 3. Front cover
- 4. Floor fixing
- 5. Gasket ring
- 6. Stop end
- 7. Power/data shroud
- 8. Earthing kit

■ Items provided in base unit

**Floor feeding system**

- 9. Floor fixing with slot for aluminium floor feeder
- 10. Aluminium floor feeder
  - 10a. Base profile
  - 10b. Cover
- 11. Floor fixing with slot for PVC floor feeder
- 12. PVC Floor feeder
  - 12a. Base profile
  - 12b. Cover
- 13. Floor feeder jointing piece
- 14. Corner feeder piece

## OptiLine 70 Posts Cable Capacity

Compartment	Max. Ø mm	Cross section area mm <sup>2</sup>	Cable capacity*		
			40%	50%	60%

One-sided post

1	21	1418	567	709	851	
2	26	905	362	452	543	
3	36	2207	883	1103	1324	

Two-sided post

1	42	4980	1992	2490	2988	
2	23	1471	588	735	883	
3	26	900	360	450	540	
4	38	2253	901	1126	1352	

\*We recommend a 40% utilisation of the cable capacity.

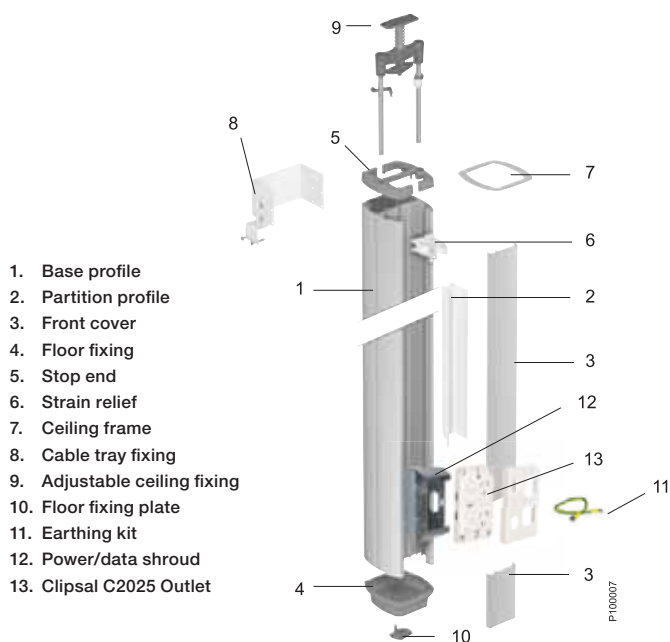


OptiLine 70 Posts	OptiLine 70 Posts (Single Sided)	OptiLine 70 Posts (Double Sided)
Height 333mm. Anodised.	ISM20600	ISM20606
Height 613mm. Anodised.	ISM20603	ISM20609
Accessories		
OptiLine 70 Partition Profile	ISM20555 (White. 49x50x500mm. 10 per pack)	
Floor fixing, w. floor feeder slot	ISM20650 (For 18x91mm floor feeder)	ISM20651 (For 18x91mm floor feeder)
Floor fixing, w. floor feeder slot	ISM20652 (For 18x75mm floor feeder)	ISM20653 (For 18x75mm floor feeder)
OptiLine 70 Poles Front Cover	ISM11950 (2.0m length, 12 per pack)	
OptiLine 70 Power/Data Shroud	MDEOLSPTD	
OptiLine 70 Decorative Stripe	(5.0m length, 1 per pack)	
Grey	ISM200822	
White	ISM200823	
Orange	ISM200824	
OptiLine Earthing Clamp	ISM10952 (20 per pack)	
OptiLine Earthing Kit - 200mm	ISM10953 (10 per pack)	
OptiLine Earthing Kit - 300mm	ISM10954 (10 per pack)	
OptiLine Al. Floor Feeder	ISM20660 (Anodised. 18x91x2500mm. 1 per pack)	
OptiLine Al. Floor Feeder	ISM20857 (Anodised. 18x75x2000mm. 4 per pack)	
OptiLine PVC Floor Feeder	ISM20817 (Grey. 18x75x2000mm. 14 per pack)	
OptiLine PVC Floor Feeder Joint	ISM20818 (Grey. 20x50x78mm. 10 per pack)	
OptiLine PVC Corner Feeder Pce	ISM20819 (Grey. 20x120x120mm. 10 per pack)	

Clipsal Cable Management invites Architects and Engineers to avail themselves of our obligation free advisory and design drafting service to assist with planning the most economical and functional duct system suitable for a particular project. Any infringements to patents or registered designs applied for or granted will be liable to prosecution.

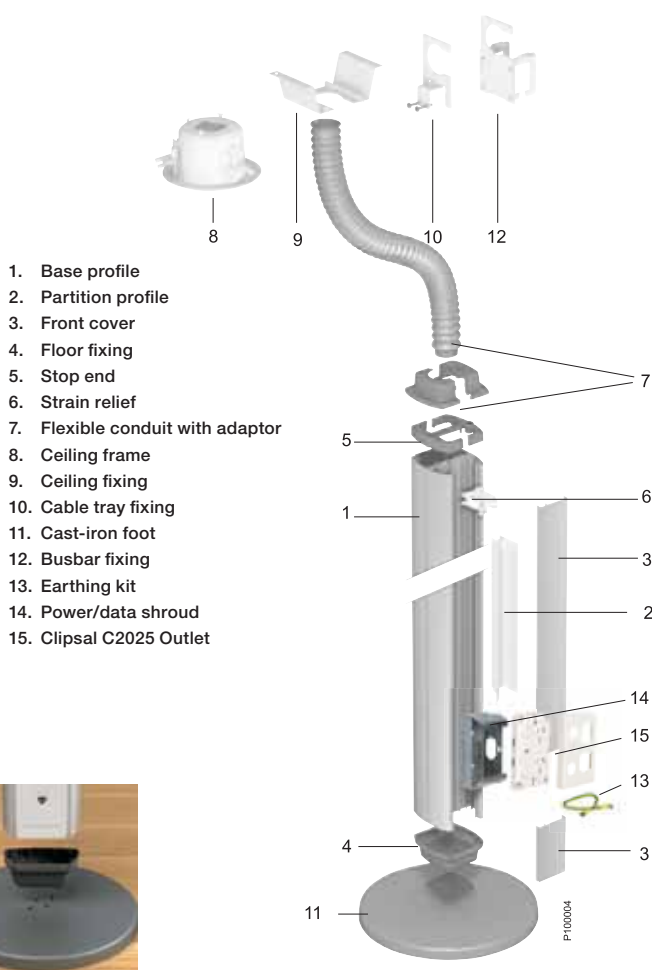
## Optiline 70 Poles

OptiLine 70 Tension-Mounted Pole



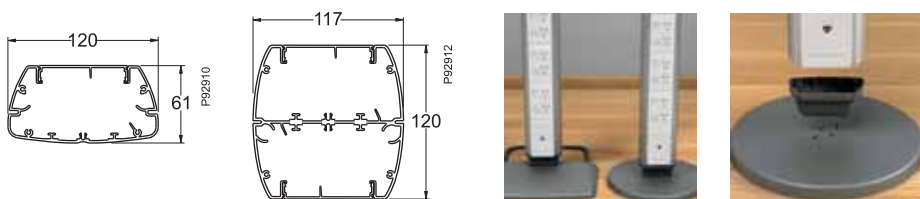
1. Base profile
2. Partition profile
3. Front cover
4. Floor fixing
5. Stop end
6. Strain relief
7. Ceiling frame
8. Cable tray fixing
9. Adjustable ceiling fixing
10. Floor fixing plate
11. Earthing kit
12. Power/data shroud
13. Clipsal C2025 Outlet

OptiLine 70 Free-Standing Pole



1. Base profile
2. Partition profile
3. Front cover
4. Floor fixing
5. Stop end
6. Strain relief
7. Flexible conduit with adaptor
8. Ceiling frame
9. Ceiling fixing
10. Cable tray fixing
11. Cast-iron foot
12. Busbar fixing
13. Earthing kit
14. Power/data shroud
15. Clipsal C2025 Outlet

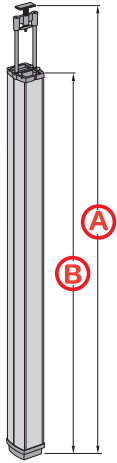
## OptiLine 70 Pole Profiles



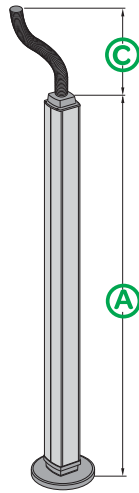
TENSION MOUNTED	OptiLine 70 Posts (Single Sided)				OptiLine 70 Posts (Double Sided)			
	ISM20500	ISM20501	ISM20502	ISM20503	ISM20505	ISM20506	ISM20507	ISM20508
Min Height (mm)	3170	4170	5170	6170	3170	4170	5170	6170
Max Height (mm)	3570	4570	5570	6570	3570	4570	5570	6570

Accessories		
Ceiling frame	ISM20550	ISM20551
Cable tray fixing	ISM20554	ISM20553
Floor fixing, w. floor feeder slot	ISM20650 (For 18x91mm floor feeder)	ISM20651 (For 18x91mm floor feeder)
Floor fixing, w. floor feeder slot	ISM20652 (For 18x75mm floor feeder)	ISM20653 (For 18x75mm floor feeder)
OptiLine 70 Poles Front Cover	ISM11950 (2.0m length, 12 per pack)	
OptiLine 70 Power/Data Shroud	MDEOLSPTD	
OptiLine 70 Decorative Stripe	(5.0m length, 1 per pack)	
Grey	ISM200822	
White	ISM200823	
Orange	ISM200824	
OptiLine Earthing Clamp	ISM10952 (20 per pack)	
OptiLine Earthing Kit - 200mm	ISM10953 (10 per pack)	
OptiLine Earthing Kit - 300mm	ISM10954 (10 per pack)	
OptiLine Al. Floor Feeder	ISM20660 (Anodised. 18x91x2500mm. 1 per pack)	
OptiLine Al. Floor Feeder	ISM20857 (Anodised. 18x75x2000mm. 4 per pack)	
OptiLine PVC Floor Feeder	ISM20817 (Grey. 18x75x2000mm. 14 per pack)	
OptiLine PVC Floor Feeder Joint	ISM20818 (Grey. 20x50x78mm. 10 per pack)	
OptiLine PVC Corner Feeder Pce	ISM20819 (Grey. 20x120x120mm. 10 per pack)	

## OptiLine 70 Poles



Tension-mounted poles, one-sided and two-sided



Free-standing poles, one-sided and two-sided

OptiLine 70 Poles - Standard Inclusions												
FREE STANDING	Cat. No.	No. Sides	Front Cover	Flex. Conduit	Conduit Adaptor	Strain Relief	Earthing Kit	Mounting Instructions				
2385mm Pole <b>A</b> + 2000mm Conduit <b>C</b>	ISM20520	1	Y	Y	Y	Y	Y	Y				
2420mm Pole <b>A</b> + 2000mm Conduit <b>C</b>	ISM20521	2	Y	Y	Y	Y	Y	Y				
TENSION MOUNTED	Cat. No.	No. Sides	Front Cover	Flex. Conduit	Conduit Adaptor	Strain Relief	Earthing Kit	Mounting Instructions	Stop End	Floor Fixing	Floor Fixing Plate	
<b>A</b> 3170-3570mm <b>B</b> (3070mm Pole Only)	ISM20500	1	Y	Y	Y	Y	Y	Y	Y	Y	Y	Y
<b>A</b> 4170-4570mm <b>B</b> (4070mm Pole Only)	ISM20501	1	Y	Y	Y	Y	Y	Y	Y	Y	Y	Y
<b>A</b> 5170-5570mm <b>B</b> (5070mm Pole Only)	ISM20502	1	Y	Y	Y	Y	Y	Y	Y	Y	Y	Y
<b>A</b> 6170-6570mm <b>B</b> (6070mm Pole Only)	ISM20503	1	Y	Y	Y	Y	Y	Y	Y	Y	Y	Y
<b>A</b> 3170-3570mm <b>B</b> (3070mm Pole Only)	ISM20505	2	Y	Y	Y	Y	Y	Y	Y	Y	Y	Y
<b>A</b> 4170-4570mm <b>B</b> (4070mm Pole Only)	ISM20506	2	Y	Y	Y	Y	Y	Y	Y	Y	Y	Y
<b>A</b> 5170-5570mm <b>B</b> (5070mm Pole Only)	ISM20507	2	Y	Y	Y	Y	Y	Y	Y	Y	Y	Y
<b>A</b> 6170-6570mm <b>B</b> (6070mm Pole Only)	ISM20508	2	Y	Y	Y	Y	Y	Y	Y	Y	Y	Y

Compartment	Max. Ø mm	Cross section area mm <sup>2</sup>	Cable capacity* mm <sup>2</sup>			
			40%	50%	60%	
One-sided pole						
1	21	1418	567	709	851	
2	26	905	362	452	543	
3	36	2207	883	1103	1324	
Two-sided pole						
1	42	4980	1992	2490	2988	
2	23	1471	588	735	883	
3	26	900	360	450	540	
4	38	2253	901	1126	1352	

\*We recommend a 40% utilisation of the cable capacity.

## OptiLine 70 Poles



FREE STANDING	Cat. No.	No. Sides	Foot (round)	Foot (rect.)	Ceiling frame	Ceiling fixing	Cable tray fixing
OptiLine 70 Pole (2385+2000mm)	ISM20520	1	ISM20808	ISM20809	ISM20812	ISM20816	ISM20813
OptiLine 70 Pole (2420+2000mm)	ISM20521	2	ISM20808	ISM20809	ISM20812	ISM20816	ISM20813
<b>Accessories</b>							
OptiLine Cable Tray Fixing	Connect one and two-sided service poles to cable tray or cable ladder.						ISM20553
OptiLine Cable Tray Fixing	Cable tray fixing intended to connect flexible conduit to cable tray.						ISM20813
OptiLine 70 Poles Front Cover	ISM11950 (2.0m length, 12 per pack)						
OptiLine 70 Power/Data Shroud	MDEOLSPTD						
OptiLine 70 Decorative Stripe	(5.0m length, 1 per pack)						
Grey	ISM200822						
White	ISM200823						
Orange	ISM200824						
OptiLine Earthing Clamp	ISM10952 (20 per pack)						
OptiLine Earthing Kit - 200mm	ISM10953 (10 per pack)						
OptiLine Earthing Kit - 300mm	ISM10954 (10 per pack)						
OptiLine 70 Poles Partition Profile	ISM20555 (White. 49x50x500mm. 10 per pack)						
OptiLine Al. Floor Feeder	ISM20660 (Anodised. 18x91x2500mm. 1 per pack)						
OptiLine Al. Floor Feeder	ISM20857 (Anodised. 18x75x2000mm. 4 per pack)						
OptiLine PVC Floor Feeder	ISM20817 (Grey. 18x75x2000mm. 14 per pack)						
OptiLine PVC Floor Feeder Joint	ISM20818 (Grey. 20x50x78mm. 10 per pack)						
OptiLine PVC Corner Feeder Pce	ISM20819 (Grey. 20x120x120mm. 10 per pack)						