

Infrascan®
753SSR SERIES



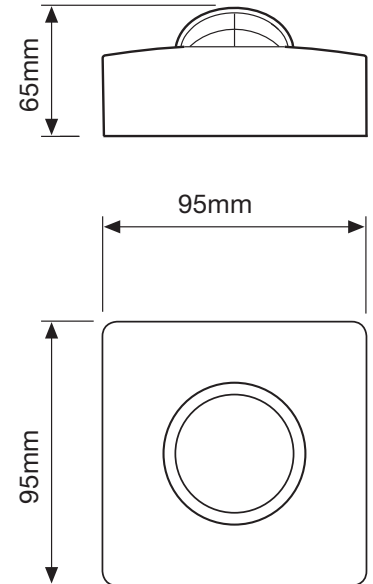
Superior Sensor Performance



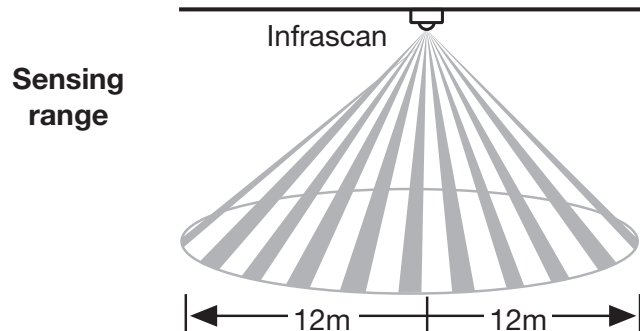
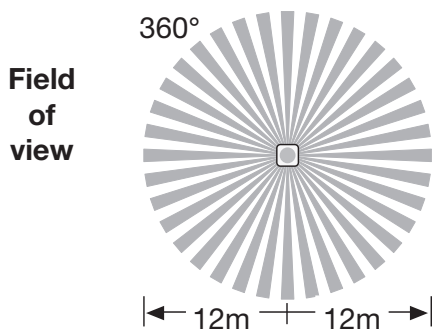
- **Large sensing range**
(12m radius / 24m diameter)
- **Advanced resolution**
(detection of small movements)
- **360° field of view**
(zone mask supplied)
- **Suitable for indoor and outdoor installations**
(IP54 rated)

Technical Specifications

Technical Features	Catalogue Number: 753SSR
Colour Options	Black (BK), White Electric (WE)
Dimensions (H x W x D)	65mm x 95mm x 95mm
IP Rating	IP54
Wiring Configuration	3-Wire Design
Operating Voltage	240V~ 50Hz
Compatible Loads	Compact Fluorescent Lamp: 20W x 8 max Fluorescent Lamp: 1000W max Incandescent Lamp: 2400W max For further details and derating, please refer to the installation instructions.
Field of View	360°
Sensing Range	12m radius, comes with configurable zone mask.
Sensor Technology	Passive Infrared Motion Sensor with 1416 switching zones and 10 detection levels
Time Setting	5 seconds – 15 minutes, Pulse Mode option
Lux Level Setting	2 – 2000 lux
Manual Override	Light ON for 4 hours (activated by external light switch)
Warranty	3-year functional warranty



Field of View and Installation



Take advantage of the great benefits that Clipsal Infrascan PIR Motion Sensors have to offer. For more information, contact your nearest Clipsal Representative, electrical wholesaler or visit clipsal.com

Schneider Electric (Australia) Pty Ltd

33-37 Port Wakefield Road, Gepps Cross
South Australia 5094

PO Box 132, Enfield Plaza,
South Australia 5085

National Customer Care Enquiries:
1300 2025 25

clipsal.com

Website: clipsal.com
Contact us: clipsal.com/feedback

You can find this brochure and many others online in PDF format at: clipsal.com
Follow the links off the home page or access the following page directly:
clipsal.com/brochures

Schneider Electric (Australia) Pty Ltd reserves the right to change specifications, modify designs and discontinue items without incurring obligation and whilst every effort is made to ensure that descriptions, specifications and other information in this catalogue are correct, no warranty is given in respect thereof and the company shall not be liable for any error therein.

© 2012 Schneider Electric. All Rights Reserved.
Trademarks are owned by Schneider Electric Industries SAS or its affiliated companies.

This document has been printed using FSC Mix Certified paper. ISO 14001 environmental management system in use at mill.