

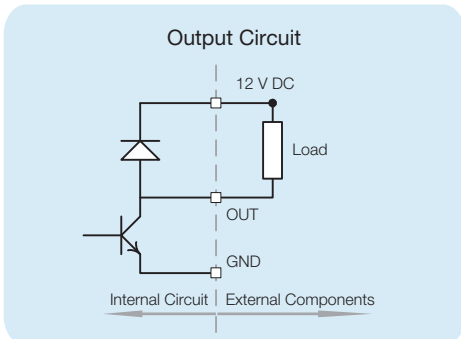
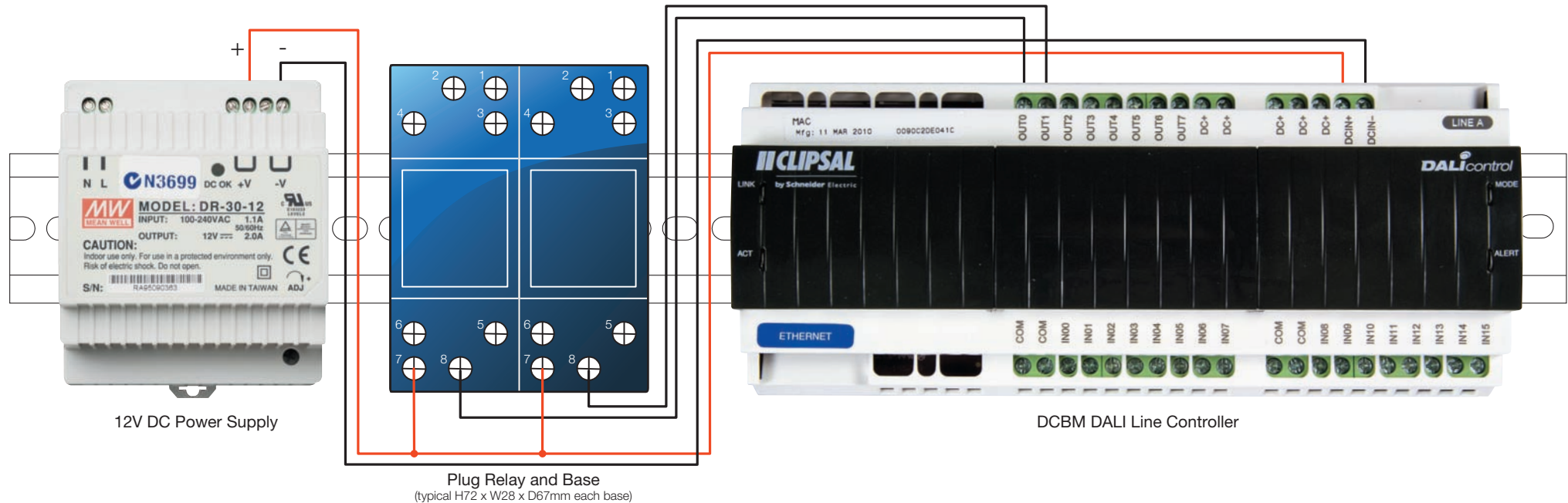
DALIcontrol™

Wiring

BM-DALI Controller Digital Outputs



by Schneider Electric



• Relay base terminals (arrangement shown is for PTF08A):

1. Contact 1 Normally Closed
2. Contact 1 Normally Open
3. Contact 1 Common
4. Contact 2 Normally Closed
5. Contact 2 Normally Open
6. Contact 2 Common
7. Coil
8. Coil