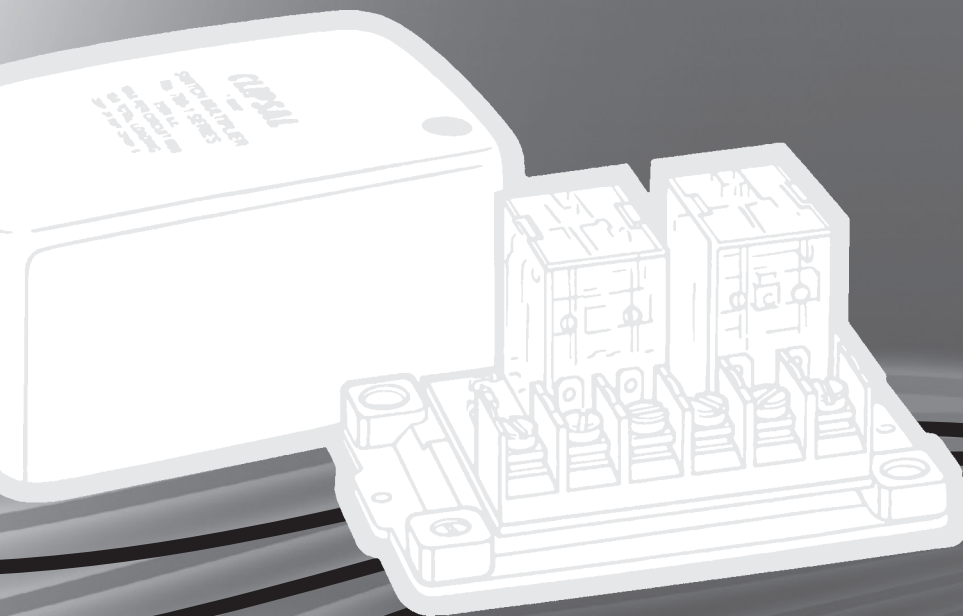


CLIPSAL[®]

by **Schneider Electric**



Switch Multiplier

780
Series



Installation Instructions

REGISTERED PATENT

Contents

1.0	Introduction	3
2.0	Safety and Compliance	3
3.0	780K1 Connection Diagram (One-Way Switching)	4
4.0	780K2 Connection Diagram (Two-Way Switching)	4
5.0	780K2 Connection Diagram (One-Way / Two-Way Switching)	5
6.0	780K2 Connection Diagram (Convert One-Way to Two-Way)	6
7.0	780/1 or 780/2 Connecting to Existing Two-Way Switching	7
8.0	Warranty Statement	8

1.0 Introduction

The 780 Series Switch Multiplier is a powerful tool, enabling flexible control over one or more loads from multiple locations. This product allows you to use an existing single switch wire to control multiple loads, or even perform two-way switching. This is especially useful where access to cabling is restricted, and where it is not possible to run additional cables to accommodate extra switches.

The Clipsal Switch Multiplier allows you to:

- control multiple loads from an existing switch location, where only one existing switch wire is present (one-way switching)
- control multiple loads from multiple switch locations, where only one existing switch wire is present at one of the locations (one-way or two-way switching)
- control a single load from multiple switch locations, where only one existing switch wire is present at one of the locations (convert one-way to two-way switching).

The switch multiplier is rated at 250V a.c., and is compatible with a wide range of load types, including incandescent, LV or MV halogen, fluorescent and motor loads. Exercise care when using compact fluorescent loads as they are sensitive to leakage current.


Recommended Maximum Loading

Load Type	Recommended Maximum Load
Incandescent, LV Halogen, MV Halogen	10A
Fluorescent Lamps (FL)	4AX
Compact Fluorescent Lamps (CFL)	100W
Motor Loads	M50


2.0 Safety and Compliance

Compliance declaration

The 780 Series Switch Multiplier products comply with safety requirements for Australia and New Zealand:

	<p>AS/NZS3100 - Approval and test specification - General requirements for electrical equipment.</p>
---	--

Installation requirements

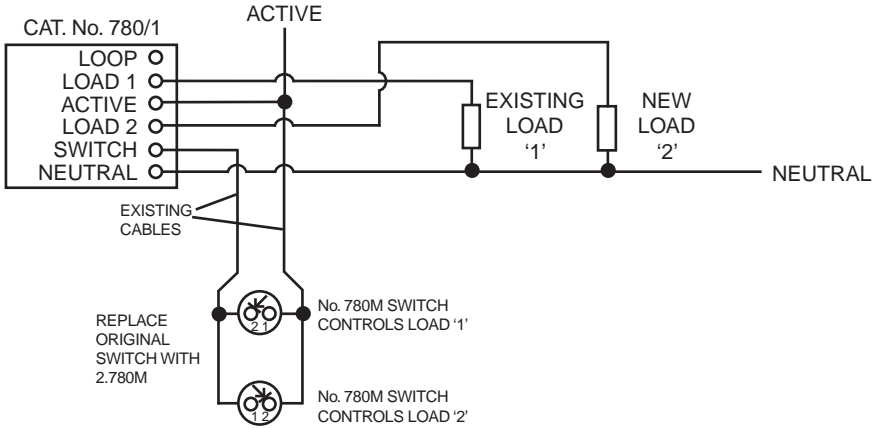
 <p>WARNING!</p>	<p>To ensure compliance with AS/NZS3100 and the Wiring Rules, only use the cable entry cut-out as marked by the warning label on the side of the enclosure.</p>
--	---

3.0 780K1 Connection Diagram (One-Way Switching)

Controlling multiple loads through a single switch wire.

Load '1' - One-Way Switched

Load '2' - One-Way Switched

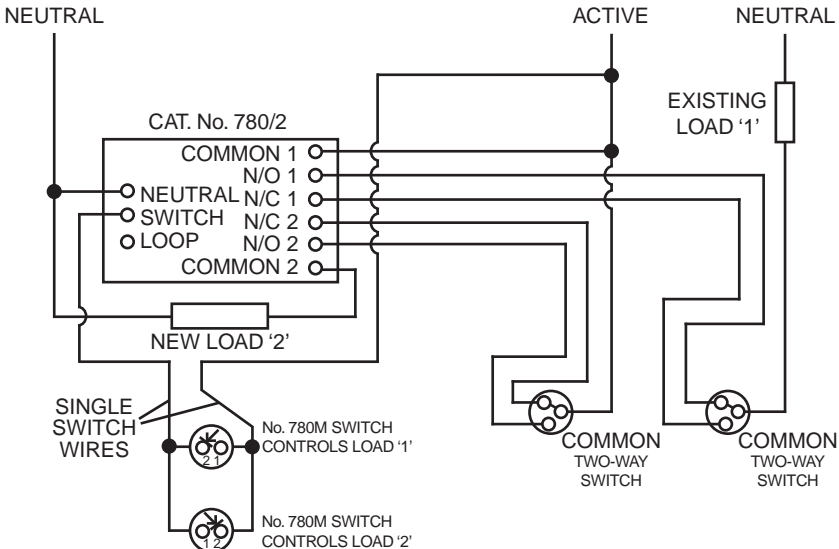


4.0 780K2 Connection Diagram (Two-Way Switching)

Controlling multiple loads from two locations, one position with a single switch wire.

Load '1' - Two-Way Switched

Load '2' - Two-Way Switched

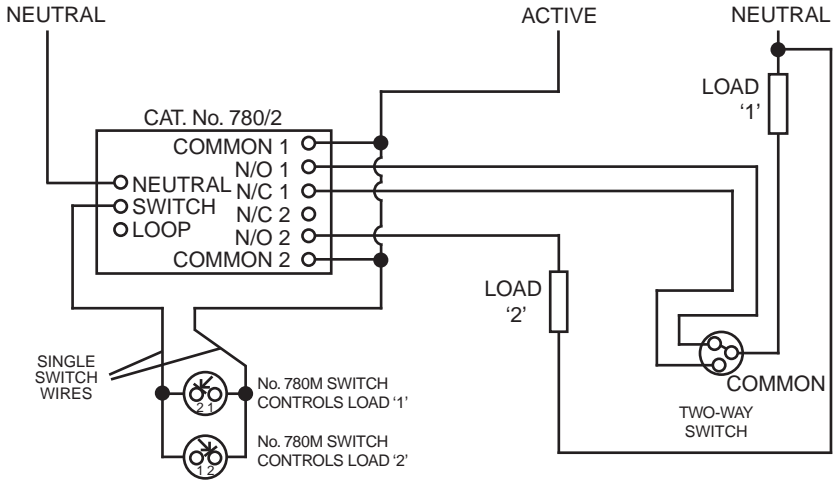


5.0 780K2 Connection Diagram (One-Way / Two-Way Switching)

Controlling multiple loads from two locations, one position with a single switch wire.

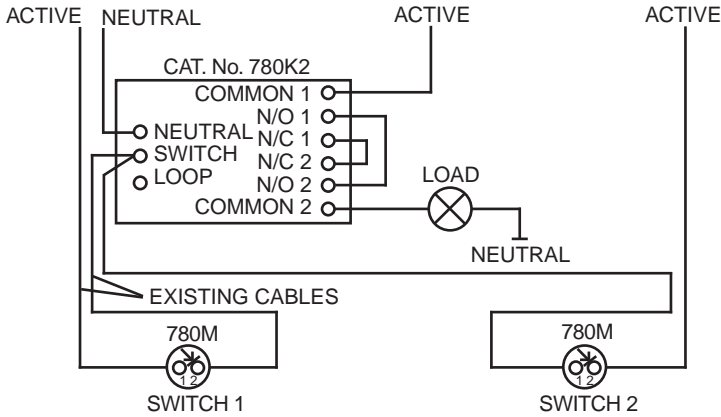
Load '1' - Two-Way Switched

Load '2' - One-Way Switched

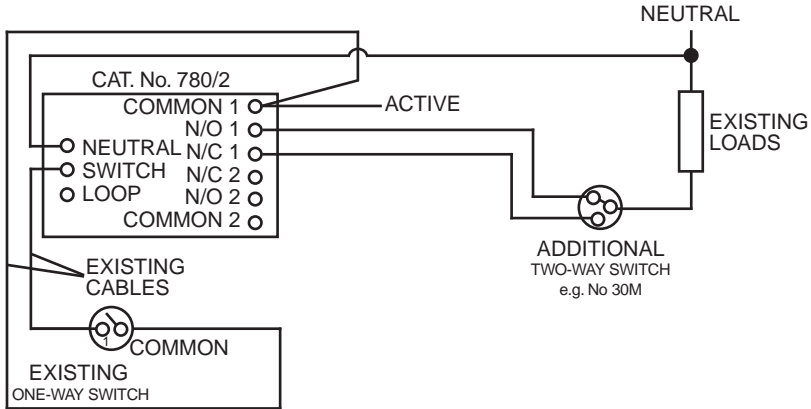


6.0 780K2 Connection Diagram (Convert One-Way to Two-Way)

Controlling a single load from two switch locations, using existing single switch wire.
Load '1' - Two-Way Switched



Alternate implementation using existing switch.



Note: All Actives and Neutrals must be on same phase.

8.0 Warranty Statement

1. The benefits conferred herein are in addition to, and in no way shall be deemed to derogate; either expressly or by implication, any or all other rights and remedies in respect to the Clipsal product, which the consumer has under the Commonwealth Competition and Consumer Act or any other similar State or Territory Laws.
2. The warrantor is Schneider Electric (Australia) Pty Ltd of 33-37 Port Wakefield Road, Gepps Cross, South Australia 5094. With registered offices in all Australian states.
3. This Clipsal product is guaranteed against faulty workmanship and materials for a period of one (1) year from the date of installation.
4. Schneider Electric (Australia) Pty Ltd reserves the right, at its discretion, to either repair free of parts and labour charges, replace or offer refund in respect to any article found to be faulty due to materials, parts or workmanship.
5. This warranty is expressly subject to the Clipsal product being installed, wired, tested, operated and used in accordance with the manufacturer's instructions.
6. All costs of a claim shall be met by Schneider Electric (Australia) Pty Ltd, however should the product that is the subject of the claim be found to be in good working order all such costs shall be met by the claimant.
7. When making a claim the consumer shall forward the Clipsal product to the nearest Clipsal by Schneider Electric office with adequate particulars of the defect within 28 days of the fault occurring. The product should be returned securely packed, complete with details of the date and place of purchase, description of load, and circumstances of malfunction.

Schneider Electric (Australia) Pty Ltd

Contact us: clipsal.com/feedback

National Customer Care Enquiries:

Tel 1300 2025 25

Fax 1300 2025 56

clipsal.com

Schneider Electric (Australia) Pty Ltd reserves the right to change specifications, modify designs and discontinue items without incurring obligation and whilst every effort is made to ensure that descriptions, specifications and other information in this catalogue are correct, no warranty is given in respect thereof and the company shall not be liable for any error therein.

© 2012 Schneider Electric. All Rights Reserved.
Trademarks are owned by Schneider Electric Industries SAS or its affiliated companies.