

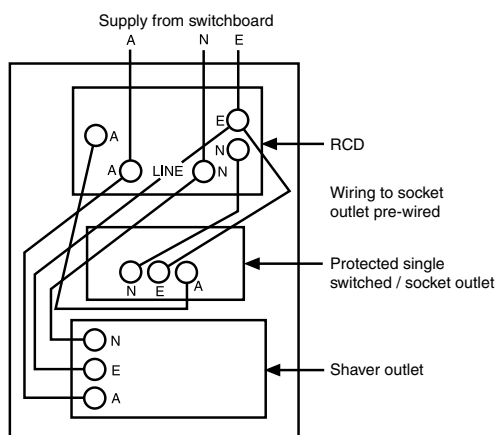
# Switched Shaver Outlet and Protected Switched Socket Outlet

## 2727RC30

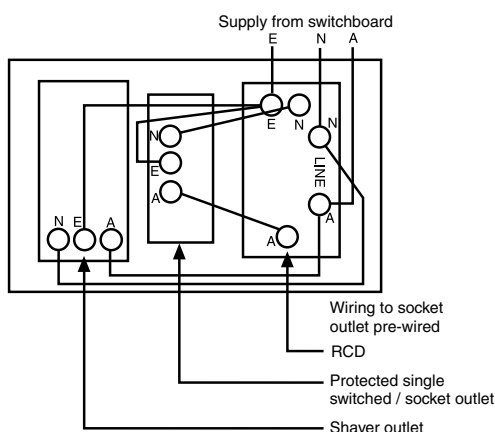
# Installation Instructions

### Wiring layout

2727RC30



**WARNING:** Active and Neutral must be wired to correct terminals or damage to unit will result.



**NOTE:** If the shaver outlet is required to be on separate circuit, connection must be made on SAME PHASE.

### Wiring instructions

Wiring of RCD. Protected switched socket outlet.

1. LINE terminals at RCD MUST be wired with incoming SUPPLY CABLE.  
NOTE: LOAD terminals MUST NOT be wired to incoming SUPPLY cable.  
Incorrect termination of cable will DAMAGE UNIT and VOID WARRANTY.
2. COMMON EARTH terminal for both LINE and LOAD cables.
3. Loop wires to socket outlet from RCD pre-wired.

Wiring of switched shaver socket outlet

1. As per wiring diagram.

### Technical specifications RCD

1. Double Pole Switched.
2. 250V 16A a.c.
3. 30mA Tripping Current.
4. To be protected by fault current limiter, 20A max: 3kA min. (e.g.: Clipsal 20A MCB or HRC Fuse).
5. Terminals accommodate: 3 x 2.5mm<sup>2</sup> cables.
6. Complies to AS/NZS3190.

### Technical specifications shaver outlet

1. 240V/115V a.c. 22V.A.
2. Terminals accommodate: 3 x 2.5mm<sup>2</sup> cables.

### Operating instructions and test of RCD

Test before use:

1. Press 'ON' button.
2. Press 'TEST' button.
3. IF UNIT FAILS TO TRIP - DO NOT USE.
4. Press 'ON' button to RESET.

**NOTE:** if the device fails to switch 'on', it may indicate a wrongly wired circuit or a faulty appliance plugged into the protected outlet.