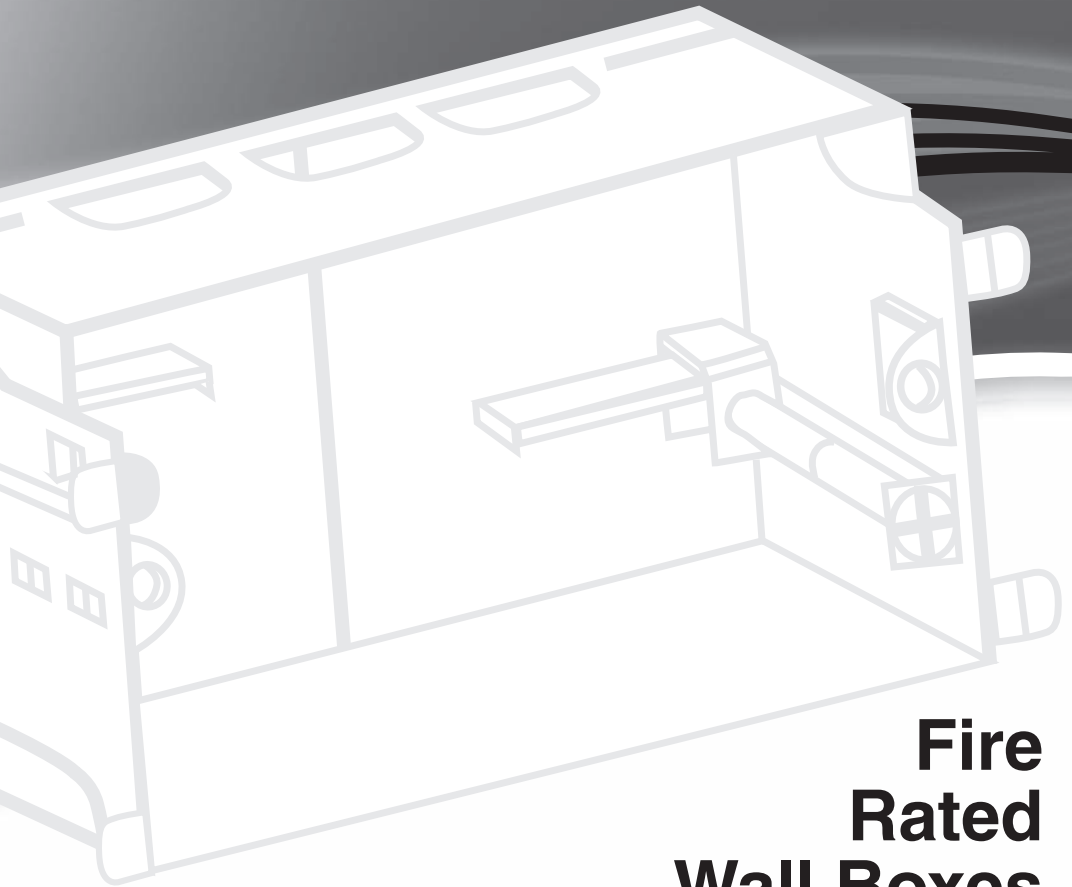


**CLIPSAL**<sup>®</sup>  
**LIVING ELECTRICAL**



# **Fire Rated Wall Boxes**

**3105E157**

Series

Installation Instructions

REGISTERED DESIGN • REGISTERED PATENT

## Product Range

Catalogue Number	Gang	Wall Box Dimensions	Cut Out Dimensions
3105E157/1F	1	73(W) x 75(H) x 60(D)	75(W) x 77(H)
3105E157/2F	2	160(W) x 75(H) x 60(D)	162(W) x 77(H)
3105E157/3F	3	248(W) x 75(H) x 60(D)	250(W) x 77(H)
3105E157/4F	4	334(W) x 75(H) x 60(D)	336(W) x 77(H)
3105E157/5F	5	423(W) x 75(H) x 60(D)	425(W) x 77(H)

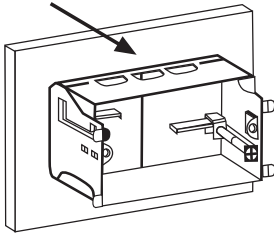
## 3105E157 Series Installation

### Fire Rated One and Two Hours

1. Wall boxes suitable for EPIC Series Module
2. Use the actual wall box as a cut out template, whilst referring to the table above for recommended cut out dimensions
3. Cut opening in wall with care to ensure neat fit of the wall box
4. If required, remove knockout from wall box for suitable cable entry
5. If cable entry is through rear of the wall box, slit the intumescent material (the heat reactive layer) carefully with a sharp knife but **DO NOT REMOVE ANY OF IT**. Removal of any intumescent material will adversely affect the fire rating of the wall box
6. Feed your cables into the wall box
7. Ensure the wall box clamping/retaining arms are fully retracted into the wall box
8. Fold down flap on wall box as shown in picture, insert wall box into cut out in wall and restore flap to original position once located in wall
9. Extend wall box clamping/retaining arms on both sides of wall box, then tighten the crews screws to hold the wall box in place  
**DO NOT OVERTIGHTEN SCREWS**
10. Gently move wall box until it is correctly positioned
11. Ensure retaining lugs are flush with the wall face
12. If power modules are to be used with the wall box, please note the additional safety requirements listed on the following pages.

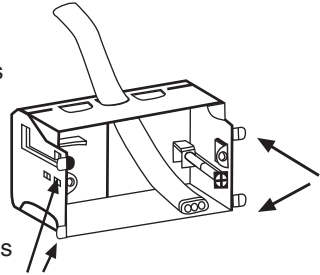
\*Rating is dependent on strict adhesion to the installation instructions (refer test reports BWA 22413-00). Use Clipsal Fyre-Seal Mastic (Cat. No. 157FSM) to seal any gaps around the wall box or to replace any intumescant material inadvertently removed. Product tested in accordance with AS1530.4-2005.

# Installation Instructions



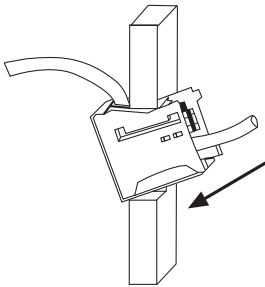
Clamping arms  
fully retracted

Retaining lugs

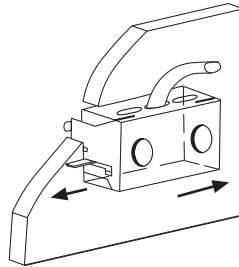


1. Before marking out, check the cut out position. Make sure it is horizontal and fold down flaps

2. Feed cables into wall box and ensure clamping arms are fully retracted



3. Insert box into cut out with clamping arms and retaining lugs retracted. Once in place, bend flap back to original position



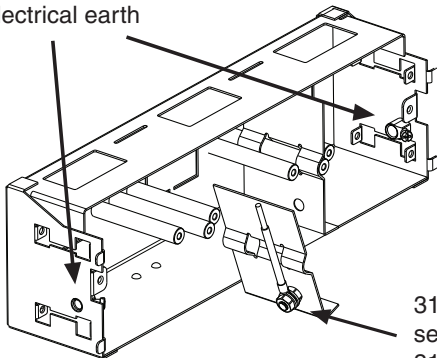
4. Extend both clamping arms outwards and tighten screws

## Use of Power Modules With Epic Wall Boxes

If power modules are to be installed in the wall box either now or in the future, additional physical segregation and earthing requirements must be performed for safety reasons.

1. The wall box must be EARTHED via its earthing point (located on the side of the wall box) to the buildings electrical earth system (refer to AS/NZS300 for recommended earth conductor size)
2. The 3105EDIV (one supplied with 3105E15S power module) earthing divider must be installed into the wall box on either end module to ensure physical segregation of mains supply cables away from communications and audio/video cables
3. Power modules should never be installed in the 'middle' positions of a wall box (the exception to this is if all modules fitted to the wall box are to be power modules). For further clarification, contact your local sales representative.

Connection points for electrical earth



3105EDIV, earthing and physical segregation barrier (supplied with 3105E15S power module)

5. Angle the 3105EDIV earthing divider and insert into wall box, then rotate divider into vertical position to lock it into place.

---

### Product of Clipsal Australia Pty Ltd

A member of Schneider Electric  
Telephone (08) 8269 0511  
Facsimile (08) 8340 1724  
Contact us [clipsal.com/feedback](http://clipsal.com/feedback)

### National Customer Service Enquiries:

**Tel 1300 2025 25**

**Fax 1300 2025 56**

**clipsal.com**

Clipsal Australia Pty Ltd reserves the right to change specifications, modify designs and discontinue items without incurring obligation and whilst every effort is made to ensure that descriptions, specifications and other information in this catalogue are correct, no warranty is given in respect thereof and the company shall not be liable for any error therein.

© Clipsal Australia Pty Ltd.

The identified trademarks and copyrights are the property of Clipsal Australia Pty Ltd unless otherwise noted.