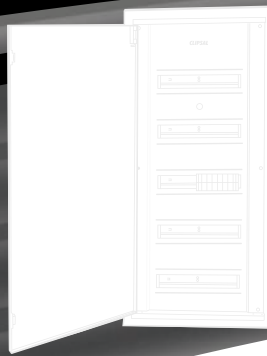


Metal Consumer Switchboard

4CxxMFD Series 4FCxxMFD Series



Installation Instructions

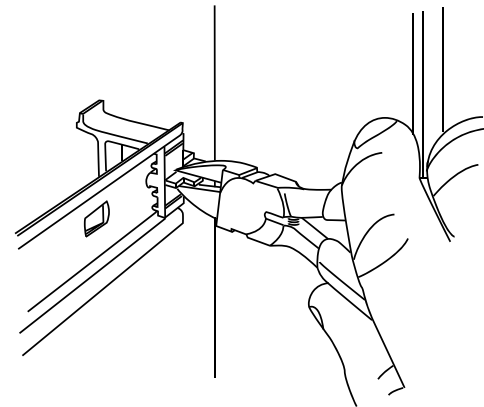
Technical Data

Standard:	AS/NZS 62208-2006 Empty Enclosures for Low Voltage Switchgear and Control Gear Assemblies.
Construction:	Steel
Classification:	a. Metallic b. Wall Mounting 4C Series, Flush Mounting 4FC Series
	c. Indoor d. IP30 e. Impact Rating IK09
Thermal Power Dissipation:	30 Module - 140W 45 Module - 210W 60 Module - 280W 75 Module - 350W
Static Load:	40kg Max

Module Expansion

Module Size = 15; however this can be expanded to 16 by trimming plastic moulding on DIN rail and knocking out escutcheon cut-outs.

Note: This will substantially reduce wiring space in some instances.



Size

Surface Mount			
Cat. No.	Height x Width x Depth		Modules
4C30MFD	530 x 465 x 113		2 x 15
4C45MFD	705 x 465 x 113		3 x 15
4C60MFD	880 x 465 x 113		4 x 15
4C75MFD	1055 x 465 x 113		5 x 15
Flush Mount			
Cat. No.	Height x Width x Depth	Flange Recess Depth	Modules
4FC30MFD	605 x 525 x 113*	70mm Recess Depth Min	2 x 15
4FC45MFD	780 x 525 x 113*	70mm Recess Depth Min	3 x 15
4FC60MFD	955 x 525 x 113*	70mm Recess Depth Min	4 x 15
4FC75MFD	1130 x 525 x 113*	70mm Recess Depth Min	5 x 15

* Cut-out openings as for surface mount.

Surface Mount Installation

1. Mount enclosure on wall with fixing points provided.
2. Centre fixings provided for nail hanging and pole mounting.
3. Knockout entry points as required and make close fitting cut-outs.
4. Mount DIN rail accessories, terminate cables, fit escutcheon, label and fit door.

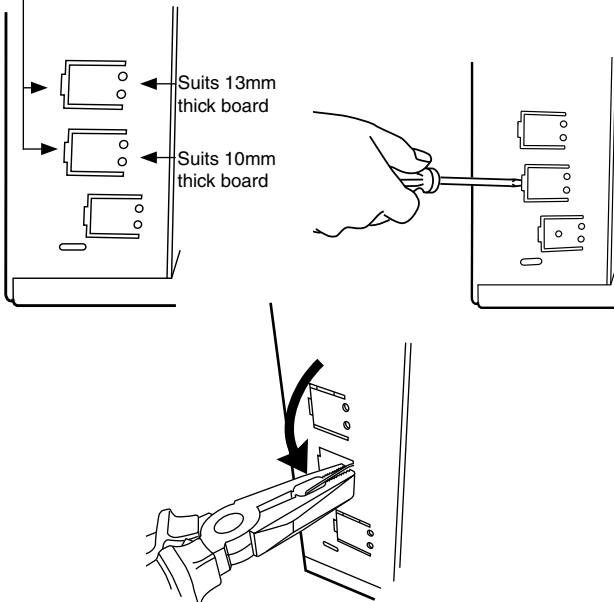
Flush Mount Installation

The flush mount enclosure can be installed before or after wall cladding.

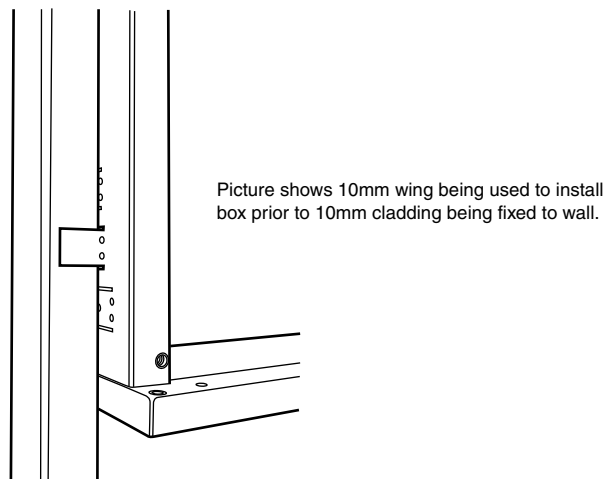
First Fix Method behind board mounting-

1. Place supporting studs each side of switchboard back box and fasten studs in place.
2. Bend four first fix wings with either a thumb, screwdriver or pliers, keeping the tab flat.

First Fix Wings Patent pending



Important: As a depth guide, Clipsal provide separate first fix 10mm and 13mm wall cladding wings. Bend out wings on the flush box to ensure correct mounting.



3. Screw box to studs.
4. Knockout entry points as required and make close fitting cut-outs.
5. Mount DIN rail accessories, terminate cables.
6. After flushing, fit flush frame, escutcheon and door.

Important: If flush box is mounted without the use of mounting wings, care must be taken to correctly seat the flush frame, otherwise the door may not satisfactorily close.

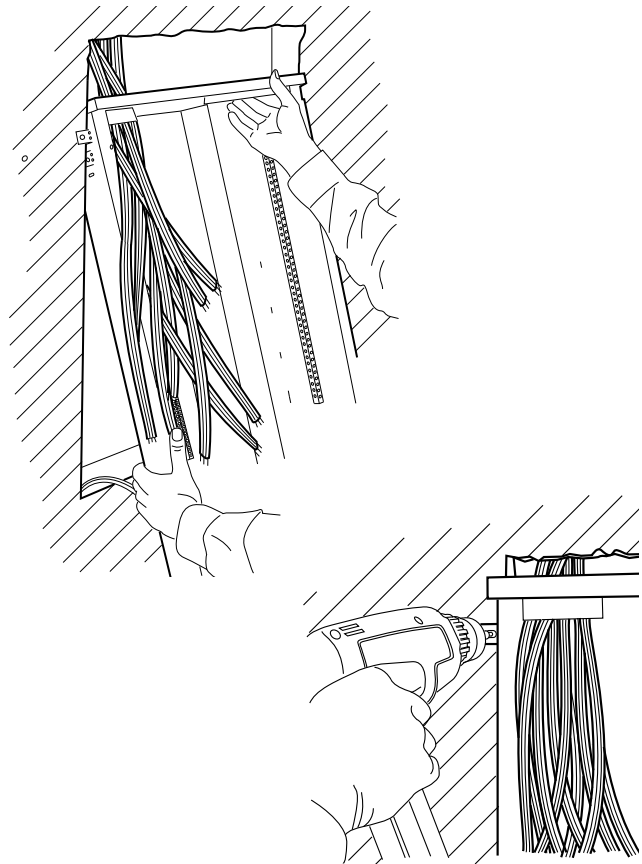
1. After wall has been flushed, loosen side box attaching screws to allow for box depth adjustment.
2. Screw flush frame to box.
3. Seat flush frame to box.
4. Retighten side box attaching screws.

Second Fix Method in front of board mounting-

1. Cut box hole into wall.

Note: Refer to chart for box size.

2. Pull wires through selected knockouts.
3. Pack block wall if required. Clipsal Australia recommends supporting studs are installed prior to installation of wall cladding.



4. Screw box to wall using side mounting holes or alternately through flush wing.
5. Mount DIN rail accessories, terminate cables, fit flush frame, escutcheon, door label and fit door.

Equipment Mounting

Switchgear and control gear is to be mounted where possible onto DIN rail provided.

For equipment that is unable to be mounted onto DIN rail, the DIN rails provided may be removed and equipment fastened onto the rear of the box.

Protective Circuit

This Clipsal enclosure ensures electrical continuity by the design of the enclosure. When a door and/or fascia are removed the protective circuit remains uninterrupted.

Installer Information

A Clipsal installation legend can be downloaded from the Clipsal website at www.clipsal.com.

Clipsal StarServe boxes 3105PENS surface mount and 3105PENF flush mount have the same external appearance as the 60 module boxes, so they can be mounted side by side for that neat professional appearance.



Clipsal Installation Legend

by **Schneider Electric**

Switchboard No.....Installed by.....Licence No.....

Fed FromCable SizeMain Earth Location

N No	Desi- nation Location	N No	Desi- nation Location	N No	Desi- nation Location
				55	
				56	
3		30		57	
4		3		5	
5		3		5	
6		33		60	
7		34		6	
		35		6	
		36		63	
0		37		64	
		3		65	
		3		66	
3		40		67	
4		4		6	
5		4		6	
6		43		70	
7		44		7	
		45		7	
		46		73	
0		47		74	
		4		75	
		4		76	
3		50		77	
4		5		7	
5		5		7	
6		53		0	
7		54			

Clipsal Australia Pty Ltd

A member of Schneider Electric

Contact us: clipsal.com feedback

National Customer Care enquiries:

Tel 1300 2025 25 Fax 1300 2025 56

clipsal.com

Clipsal Australia Pty Ltd reserves the right to change specifications, modify designs and discontinue items without incurring obligation and whilst every effort is made to ensure that descriptions, specifications and other information in this catalogue are correct, no warranty is given in respect thereof and the company shall not be liable for any error therein.

Clipsal Australia Pty Ltd. The identified trademarks and copyrights are the property of Clipsal Australia Pty Ltd unless otherwise noted.