

CLIPSAL®

by Schneider Electric



560110MB

Multi Room Audio Low Power Remote Amplifier Mounting Bracket

Installation Instructions

The 560110MB mounting bracket allows you to mount a 560110R MRA Low Power Remote Amplifier in the vertical position. The bracket allows quick access to the rear panel connectors. The mounting bracket is highly recommended in warm to hot locations.

Step 1.

Place the 560110R amplifier on a flat surface with the feet facing up. Using the three screws provided with the mounting bracket, attach the bracket to the amplifier. You do not need to remove the feet from the amplifier.

Step 2.

Install a screw in a solid beam or panel. Allow approximately 4 mm between the mounting surface and the screw head. Ensure that the screw will support the amplifier unit.

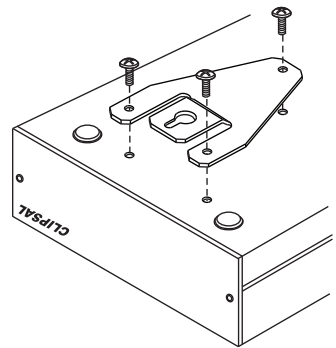
Step 3.

Place the keyhole in the mounting bracket over the screw and check that the amplifier is held securely in place. Make sure that cables are arranged in a way that will prevent damage or accidental disconnection.

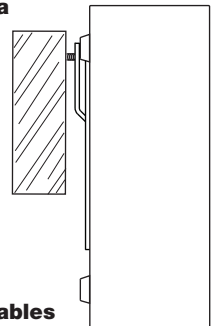
Note:

Allow a clear space below the amplifier so that cables are not subjected to sharp bending or strain.

If you have any questions or concerns, please contact your nearest Clipsal Integrated Systems (CIS) or Schneider Electric technical support or sales representative.



Place the keyhole over a screw head



Allow clear space below the unit for cables