

PRODUCT WARRANTY/12 MONTHS

The PDL 600RM Relay has a 12-month warranty from the date of purchase providing the unit is installed according to these instructions, local wiring regulations and Codes of Practice. This warranty is void on any unit that has been tampered with, or damaged by accident, improper operation or incorrect installation.

This guarantee is in addition to, and does not in any way affect the rights under the Consumer Guarantees Act 1993, if the ACT applies to the supply of this product and you are not acquiring the product for a business use. If the ACT applies and any term is inconsistent with the terms or requirements of the ACT that term shall be invalid without affecting the remaining terms of the warranty.

Note: Under the CGA 1993, Schneider Electric advises that this product does not contain user serviceable components thus spare parts and repair facilities are not available.

In the event of a warranty claim, the product must be returned to the point of purchase or direct to Australia/New Zealand distributors together with the proof of purchase.



600RM MODULAR RELAY

Installation and consumer operating instructions for 600 Series Modular Relay.

FEATURES

The 600RM Relay provides extra flexibility by expanding the current carrying capacity of a circuit controlled by an external switching device, such as a thermostat or timer device. This relay also offers the unique flexibility of the 600 modular product family, providing simple, clean and fast installation capability. The 600RM Relay is a natural fit for use in combination with PDL products such as timers and PIR sensors.



Relay status display functionality may be obtained with the addition of an optional indicator lamp.*

RATINGS

Operating Voltage230-240V a.c. @ 50Hz
 Max. current capacity16A, 6AX
 Operating Temperature.....-40 to 70°C
 Compliance StandardCISPR14; AS/NZS 3133

INSTALLATION INSTRUCTIONS

Termination

Connect wires and terminals according to the wiring diagram, Figure 1.

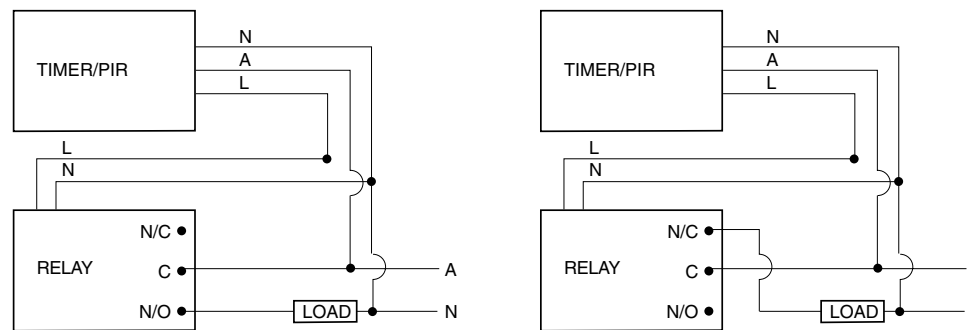


Figure 1: Relay Wiring Diagram

CAUTION:
 When LOAD is wired to the terminal labelled N/C (Normally Closed), the default state of the relay is a complete circuit. Therefore, when power is cut to the relay coil (red wires), the LOAD circuit will remain continuously ON.



New Zealand Head Office:
 PO Box 15 355, New Lynn, Auckland, New Zealand
 Telephone +64-9-829 0490, Fax +64-9-829 0491
 www.pdl.co.nz



PDL Industries Australia Pty Ltd
 Locked Bag 5500, Baulkham Hills Business Centre
 Baulkham Hills NSW 2153 Australia
 Freephone 1300 735 266, Freefax 1300 735 329
 Telephone +61 29851 2666, Fax: +61 29851 2695
 www.pdl.com.au



Fitting Front Cover

Select an appropriately coloured Front Cover from the enclosed assortment and fit it to the relay as shown in Figure 2.

IMPORTANT: Front Cover must be installed to avoid potential safety hazards.

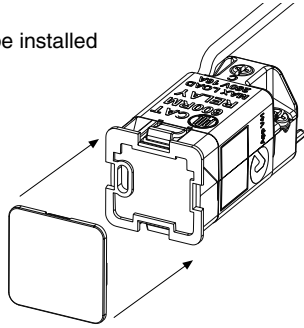


Figure 2: Fitting Front Cover to Relay

Standard Mounting In Sub Plate

Mount relay into a compatible modular 600 Series sub Plate as shown in Figure 3.

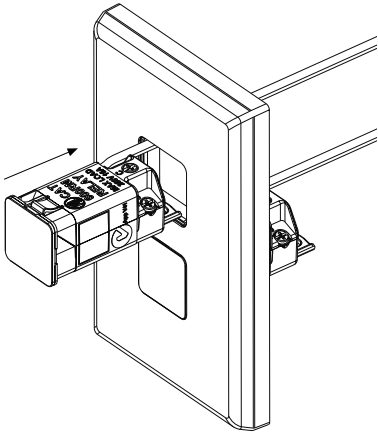


Figure 3: Mounting Relay To Sub Plate

Alternative Mounting With Cable Tie

Alternatively, for in-wall installation without using a modular Sub Plate, attach unit to a mounting feature with a cable tie looped through the hole provided at back of relay unit (see Figure 5).

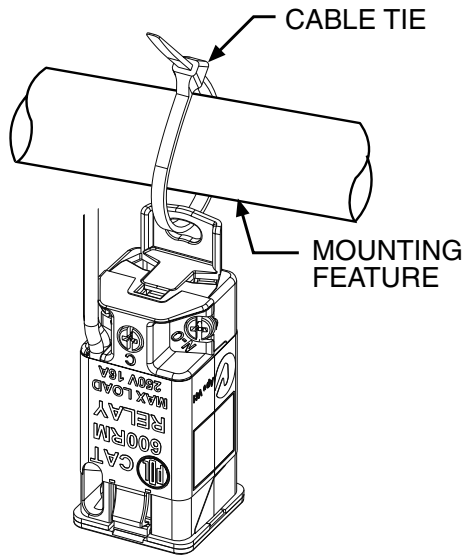


Figure 5: Cable Tie Mounting Illustration

NOTE: PDL 56 Series mounting
If the 600RM is intended to be used in conjunction with 500/600 series modules in a PDL 56 Series module enclosure (CAT 56MO500/1 or 56MO500/2) it is recommended to mount the 600RM inside the enclosure and not clipped to an aperture opening. This is due to an incompatible fit between the 600RM and the aperture opening of the 56MO500/1 or 56MO500/2.

*Optional 240V Neon Indicator Installation:

There is an optional indicator light available to show the relay status (PDL CAT# 800N240 sold separately). Insert indicator into relay housing, as shown in Figure 4, and terminate wires as needed for your application.

NOTE: 1) Neon indicator lamp must be installed after mounting relay into Sub Plate.
2) Neon lamp cannot be used together with the black Front Cover.

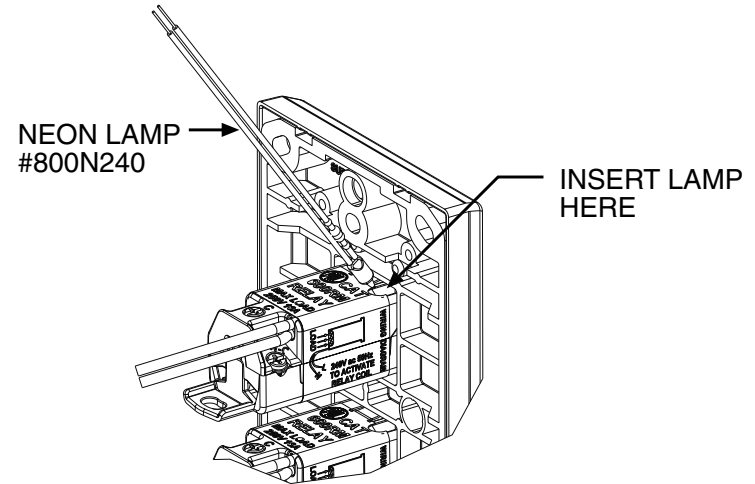


Figure 4: Installation Of Neon Indicator

Terminating The Lamp

The lamp may be wired to indicate different operating characteristics. The most common are indicating mains power availability, or indicating power being delivered to the load.

In the table below the display type is shown vertically in columns, and the switch application (normally open or normally closed) is shown horizontally in rows. Select the wiring configuration from where the desired display type intersects with your application.

	DISPLAY MAINS POWER AVAILABLE	DISPLAY POWER TO LOAD
NORAMLY OPEN		
NORAMLY CLOSED		