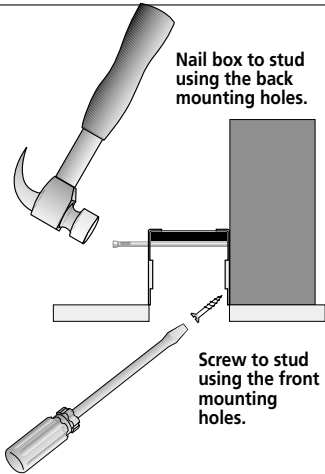




140F FIREPROOF FLUSHBOX

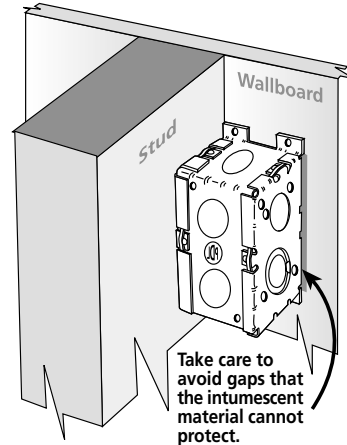
Installation instructions for mounting of 140F Fireproof Flushbox.

MOUNTING OF BOX



Nail box to stud using the back mounting holes.

Screw to stud using the front mounting holes.



Take care to avoid gaps that the intumescent material cannot protect.

Ensure box is firmly attached to the stud.

The hole cannot be any larger than the size of the box opening or sealing will be required.

HOW IT WORKS

The intumescent material expands in the presence of heat to block the path of heat and fumes. The product has been tested with the supplied amount of material so it is vital that no pieces are removed during installation. If cable is required to enter through the back of the box, a slit can be cut in the material (not a hole) and the cable fed through.

SPECIFICATIONS

The 140F Fireproof flushbox has been tested in firewalls with PDL accessories and is rated for up to 2 hours. It has been approved by Branz to AS 1530-4. The earth terminal provided should be used where the electrician considers necessary or in situations in accordance with AS 3000 or NZS 3000 section 5.

APPLICATIONS

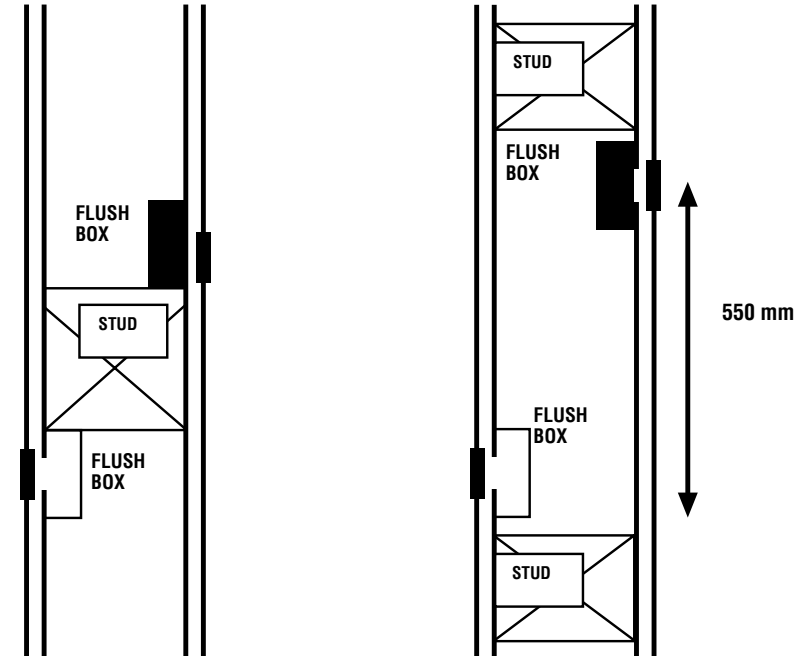
The 140F Fireproof flushbox is generally suitable for use with PDL 500 and 600 series accessories. It is not suitable for the following specific products,

- | | | |
|-------------------|-------------------|------------|
| 691ARCD | 691RCD-10, | 691RCD-30 |
| 591FRCD-30 | 591FARCD | 591FRCD-10 |
| 694ARCD | 694RCD-10 | 694RCD-30 |
| 675 Shaver Socket | 575 Shaver Socket | |

ACOUSTIC RATINGS

In the opinion of Marshall Day Acoustics (NZ Ltd) this flushbox will not degrade the acoustic ratings of all common types of steel and timber framing with STC ratings up to 60. See below for installation instructions.

* Please ensure there is at least 550mm between flush boxes or that the flush box is separated by a stud. See your Sales Representative for more information.



PRODUCT WARRANTY/12 MONTHS

The PDL 140F Fireproof flushbox has a 12-month warranty from the date of purchase providing the unit is installed according to these instructions, local wiring regulations and Codes of Practice. This warranty is void on any unit which has been tampered with, damaged by accident, improper operation or incorrect installation.

This guarantee is in addition to, and does not in any way affect the rights under the Consumer Guarantees Act 1993, if the ACT applies to the supply of this product and you are not acquiring the product for a business use. If the ACT applies and any term is inconsistent with the terms or requirements of the ACT that term shall be invalid without affecting the remaining terms of the warranty.

Note: Under the CGA 1993, Schneider Electric advises that this product does not contain user serviceable components thus spare parts and repair facilities are not available. In the event of a warranty claim, the product must be returned to the point of purchase or direct to Australia/New Zealand distributors together with the proof of purchase.



New Zealand Head Office: PO Box 15 355, Auckland, New Zealand
Telephone +64-9-829 0490, Fax +64-9-829 0491
www.schneider-electric.co.nz

Australia Head Office: Locked Bag 5500, Baulkham Hills Business Centre,
NSW 2153, Australia
Telephone +61-2-9851 2800, Fax +61-2-9629 8340
www.schneider-electric.com.au

