



by **Schneider** Electric

**Combination RCD/MCB  
& Optional Alarm**

**E01  
SERIES**

**E02  
SERIES**

**E01CNN  
SERIES**



**Installation Instructions**

## 1.0 Description

The combination RCD/MCB provides electrocution and overload protection, as detailed in AS/NZS 3003 “Electrical Installations - Patient treatment areas of hospitals and medical and dental practices.”

The RCD/MCB is available in three different formats:

### E01 Series

Incorporated into the four different styles of ESP series Medical Service Panels.

### E02 Series

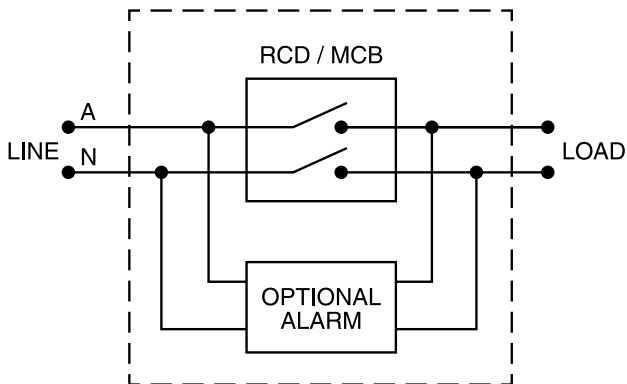
Incorporated with an audible alarm into the four different styles of ESP series Medical Service Panels.

### E01CNN Series

Individual module.

## 2.0 Wiring Instructions

The unit must be installed by a qualified electrician as per the wiring diagram and the requirements of AS/NZS 3003 and AS/NZS 3000.



### 3.0 Operating Instructions

1. Check power is connected to the RCD/MCB. The blue POWER indicator should turn on.
2. Reset the RCD/MCB by switching it to the ON position. The amber ON/OFF indicator should turn on.
3. When an earth leakage or overload fault is detected the RCD/MCB will trip and remove power to the load terminals. The amber ON/OFF indicator will turn off and if the RCD incorporates an optional audible alarm then this will also provide an audible and visual alarm.
4. If the RCD unit incorporates an optional alarm then it can be muted by pressing the PRESS TO MUTE button. The PRESS TO MUTE visual indicator will remain on until the RCD/MCB has been reset.
5. A mechanical indicator on the front of the RCD/MCB highlights whether the fault is an RCD or MCB fault. The flag in the up position highlights an RCD fault and in the down position highlights an MCB fault. Once the fault has been fixed then reset the RCD/MCB by switching it to the ON position.
6. Test the RCD function of the unit by pressing the TEST button. The unit should trip and perform as per point three onwards.

#### Please note:

The RCD will only protect individuals from active to earth contact which is the largest cause of electrocution. It will not protect against active to neutral faults.

### 4.0 Specifications

| Parameter                               | Description                              |                      |
|---|--|----------------------|
| <b>Operational Voltage</b>              | 240V a.c. 50Hz                           |                      |
| <b>Trip Current</b>                     | 10mA                                     |                      |
| <b>Trip Time</b>                        | <40ms                                    |                      |
| <b>Overload Rating</b>                  | 10, 16, 20 or 32 Amp                     |                      |
| <b>Operating Temperature</b>            | 10°C to 35°C                             |                      |
| <b>Remote Alarm Contacts (E02 Only)</b> | Volt free, changeover, 5A relay contacts |                      |
| <b>Standard Finishes</b>                | <b>Surface Mount</b>                     | Stainless Steel      |
|   | <b>Flush Mount</b>                       | Stainless Steel      |
|   | <b>Duct Mount</b>                        | Powder Coated (Sand) |
| <b>Dimensions (H x W x D)</b>           | <b>Module</b>                            | 74 x 45 x 65mm       |
|   | <b>Surface Mount</b>                     | 220 x 275 x 90mm     |
|   | <b>Flush Mount</b>                       | 220 x 275 x 70mm     |
|   | <b>Duct Mount</b>                        | 221 x 200 x 70mm     |
|   | <b>Panel Mount</b>                       | 198 x 190 x 70mm     |

# Notes

---

---

---

---

---

---

---

---

---

---

---

---

---

---

---

---

---

---

---

---

---

---

---

---

---

---

**Clipsal Australia Pty Ltd**

A member of Schneider Electric

**Contact us:** [clipsal.com/feedback](https://clipsal.com/feedback)

**National Customer Care Enquiries:**

**Tel 1300 2025 25**

**Fax 1300 2025 56**

**clipsal.com**

Clipsal Australia Pty Ltd reserves the right to change specifications, modify designs and discontinue items without incurring obligation and whilst every effort is made to ensure that descriptions, specifications and other information in this catalogue are correct, no warranty is given in respect thereof and the company shall not be liable for any error therein.

© Clipsal Australia Pty Ltd. The identified trademarks and copyrights are the property of Clipsal Australia Pty Ltd unless otherwise noted.