

**MODULINE**<sup>™</sup>  
*every office, every building*



**Installation Instructions**  
REGISTERED DESIGN • REGISTERED PATENT

**ML2164 Series**

**Flush Mount  
Metal Plate System**

## 1.0 Description

The Medilec ML2164 Series is a modular flush mount metal plate range of medical service panels, which have been specifically designed for patient treatment areas of hospitals and medical and dental practices. The system consists of a recessed wall box, grid, 2000 Series accessories and a fascia plate.

## 2.0 Wall Box Installation

The metal wall box must be mounted within the wall cavity so that the front face of the wall box is recessed between 0mm to 30mm from the front face of the wall.

If required, it is recommended that the Medilec segregation barriers be installed prior to the wall box installation.

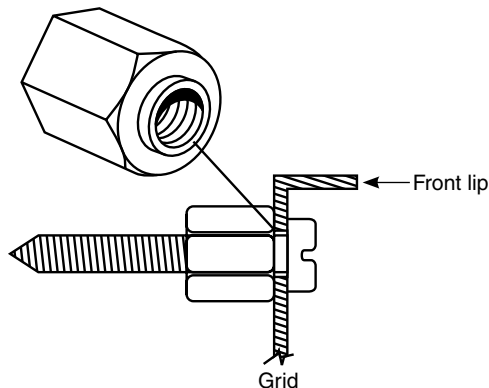
## 3.0 Grid Installation

The metal grid plate is mounted to the wall box via four height adjustable screws, which are fixed to each corner of the grid.

The grid is placed onto the wall box and the height adjuster screws are screwed into the four brackets located in each corner of the wall box.

The grid height is then adjusted so that the front lip of the grid sits between 0mm to 0.5mm below the front face of the wall. Adjusting the height of the grid is carried out by rotating each of the mounting height adjuster screws.

If the screws are not already installed onto the grid then place each of the screws into the 4.5mm holes located in the corners of the grid. The brass nuts are then wound up hard against the head of the screw, making sure that the nuts have been assembled the correct way to allow the screws to freely rotate.



## 4.0 2000 Series Accessories Installation

Each 2000 Series accessory is installed onto the grid with two screws.

When fixing the 2000 Series accessories to the grid, back the screws off slightly to allow the 2000 Series accessory to move from side to side.

It is recommended that for easier installation, the 2000 Series accessories are mounted to the grid prior to the grid being mounted to the wall box.

## 5.0 Fascia Installation

The fascia is installed to the grid with four countersunk screws.

A slight adjustment of the positioning of the accessories may be necessary to align them up with the cut outs within the fascia.

## 6.0 Customising

The standard range of one to four gang components can be customised to extend the length of the medical service panel to suit the customers requirements.

Segregation can also be added within each wall box to allow different services to be mounted within the one wall box.

Customised medical service panels will typically be supplied pre-assembled from Clipsal Australia, but it is possible for the customer to purchase components from Clipsal, enabling them to do it themselves.

### 6.1 Segregation Installation

The segregation is made of two metal plates. One segregation plate is riveted into the wall box and the other is riveted to the bottom of the grid. Pre-punched 3.3mm holes are in the segregation plates, wall boxes, and grids making it easy to locate and rivet these items together.

### 6.2 Wall Box Joining Tray Installation

Cut the wall box joining tray to the required length.

Place the wall boxes onto the U shape wall box joining tray and rivet both items together after aligning the 4.1mm holes in the rear of the wall box with the 4.1mm holes on the joining tray.

It is critical that the positioning of each wall box is recorded because this information is required to manufacture the custom fascia.

### 6.3 Fascia Mounting Bracket Installation

If long runs of blank panelling are required between two wall boxes, eg. blank panelling located behind the patient's bed, the options are:

- Mount the blank panel directly to the wall surface.
- Mount the blank panel to the wall box joining tray using fascia mounting brackets.

If fascia mounting brackets are required then rivet these items to the joining tray after aligning the 4.1mm holes on the rear of the brackets with the 4.1mm holes on the joining tray.

It is recommended that the fascia mounting brackets be installed prior to the joining tray and wall boxes being installed into the wall cavity.

It is critical that the positioning of each fascia mounting bracket is recorded because this information is required to manufacture the custom fascia.

