

Template →

Use this template to mark the mounting hole for the fan. Use a nail or similar object to anchor the template at the centre hole, then insert a pencil through the template at the point indicated adjacent to the correct fan size and scribe the circle.



Warranty

Restricting air flow and obstructing fan blades can cause premature failure. Axial fans must have 'free air' conditions on both sides of the fan. Centrifugal models must be installed so that they operate within their respective 'pressure/flow rate' performance capabilities - see specific model tables.

This product is guaranteed against defects in materials and/or workmanship, under normal use for two years from the date of purchase. It is designed for continuous operation when used in accordance with the directions inside this instruction manual and the guidelines defined in the O.Erre brochure.

Except as otherwise provided for by law, this guarantee becomes invalid if in the opinion of the company the product has been misused, abused, damaged in transit, incorrectly installed, tampered with by any unauthorised person, or connected to an electrical supply not corresponding with the product's specifications.

If any part thereof proves to be defective within the warranty period, such defective part will be repaired or replaced, free of charge and at the discretion of Clipsal Australia Pty Ltd. A charge may apply where products are not installed in a readily accessible position.

To obtain service under guarantee, this warranty must be completed on the day of purchase. The company is not responsible for forwarding freight charges or losses in transit.

Name: _____

Address: _____

Postcode: _____

Purchased from: _____

Suburb: _____

Date of purchase: _____

Name of product: _____

Model number: _____

Minor design changes or otherwise may result in slight variations between the product illustrated and that which is contained in this package.

Important - Please retain this warranty.

Product of Clipsal Australia Pty Ltd

A member of Schneider Electric

Contact us: clipsal.com/feedback

National Customer Care Enquiries:

Tel 1300 2025 25

Fax 1300 2025 56

clipsal.com

Clipsal Australia Pty Ltd reserves the right to change specifications, modify designs and discontinue items without incurring obligation and whilst every effort is made to ensure that descriptions, specifications and other information in this catalogue are correct, no warranty is given in respect thereof and the company shall not be liable for any error therein.

© Clipsal Australia Pty Ltd. The identified trademarks and copyrights are the property of Clipsal Australia Pty Ltd unless otherwise noted.



by **SO.ERRE**

Wall Exhaust Fan

**OW1885, OW1901
 OW1901A & WK1885**



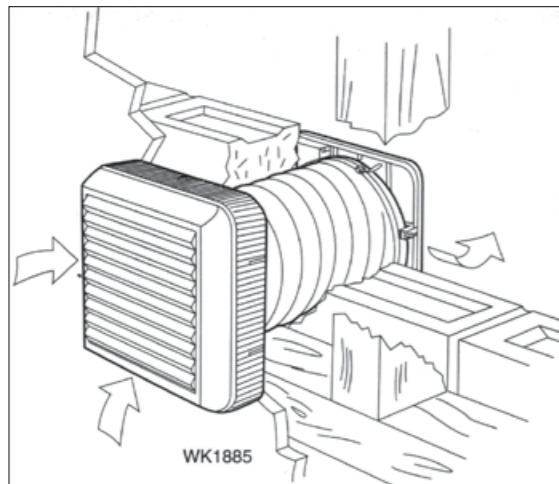
These products are also available as fan units only. To order, replace the WK in the catalogue number with OW. For example, WK1885 becomes OW1885.

The OW range of fans can also be installed in windows.

Performance specifications for all fans are given below.

Specifications

MODEL No.	SPECIFICATIONS (240V OPERATION)			
	Hole Diameter (mm)	Performance (M ³ /Hr)	Power (Watts)	Sound Level (dB at 3 metres)
WK1885	225mm to 235mm	450	50	58



Example of finished installation
Arrows indicate airflow direction.

Wall Exhaust and Kit Installation Instructions

All fans should be installed by a suitably qualified person in accordance with AS/NZS3000 and relevant Building Codes. Disconnect supply before making any electrical connections.

For best results the fan should be mounted as high as possible, and provision should be made for return air to enter the room on the opposite side.

Identify a suitable position for the fan to be installed. Be sure to avoid studs, pipework and cabling within the outside wall.

Cut appropriate size hole through wall.

Outside the Room

1. Separate fan into four main components (see fig. 1). Discard locking ring.
2. Drill 3.6mm holes through required corner fixing points of external grille.
3. Slide duct section onto external grille and secure with cable tie (see fig. 2).
4. Push the duct section through the hole and fix the external grille to the wall with appropriate fixings.

Inside the Room

1. Fit flange to wall with appropriate fixings. Ensure correct orientation.
2. Stretch the flexible duct section as tight as possible to maximise air flow. For thinner wall sections, trim duct to appropriate length.
3. Make the electrical connections to the terminal block and ensure cable is adequately retained (see fig. 3).
4. Slide duct section onto fan housing and secure with cable tie.
5. Refit the front fan housing.

Maintenance

IMPORTANT: SWITCH OFF POWER SUPPLY

1. Remove front grille and clean with mild detergent, then dry and reassemble.
2. To clean inside fan, use a soft brush taking care not to disturb any electrical wiring.

ELECTRICAL CONNECTION GUIDE

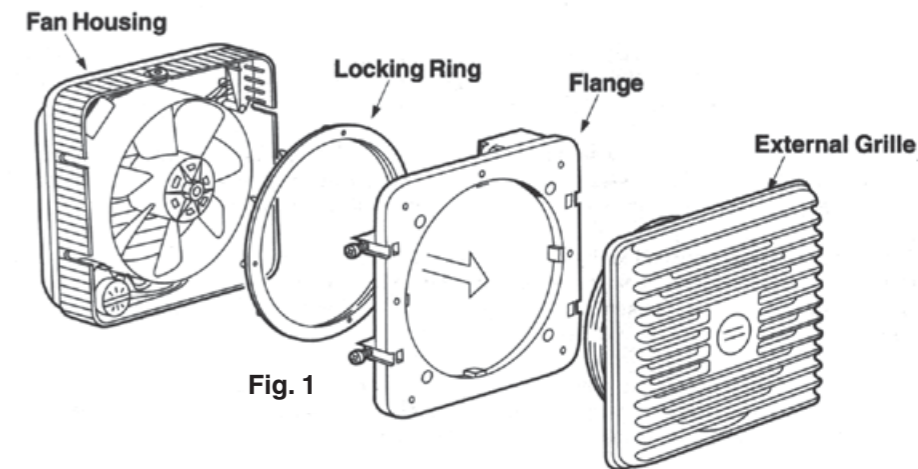
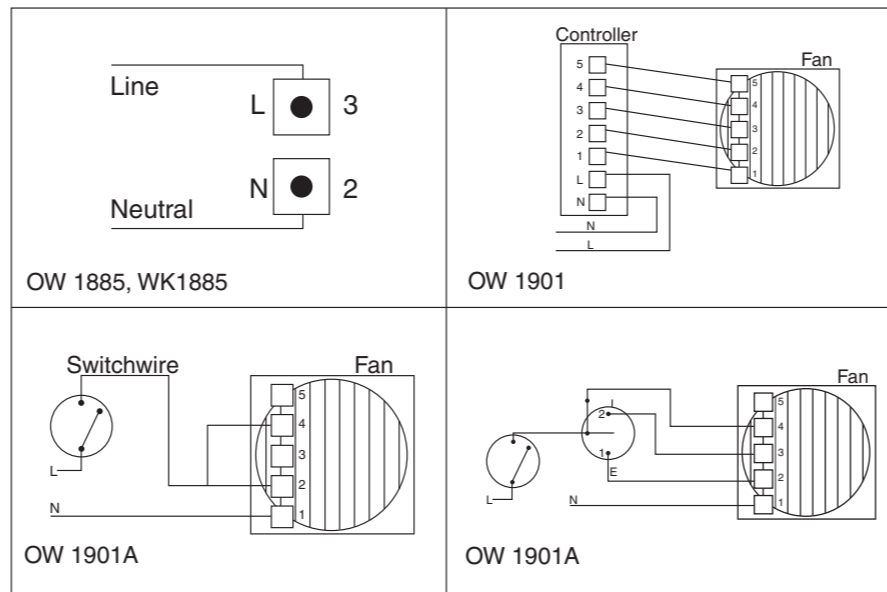
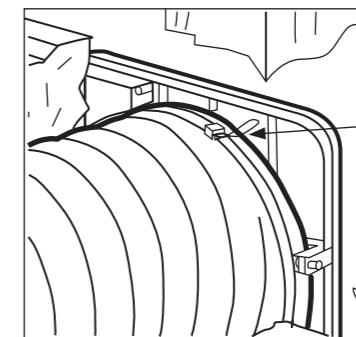


Fig. 1



Cable Tie

Fig. 2

Terminal Block for Electrical Connections

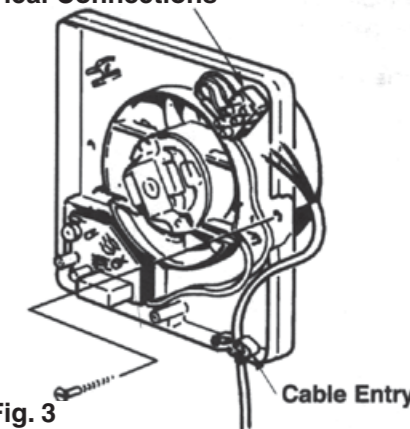


Fig. 3