

DATA SHEET | TELEPHONE ACCESSORIES | TELEPHONE SOCKETS

All Clipsal Telephone Accessories are RoHS Compliant.

CATALOGUE#	DESCRIPTION
3110SK610	Telephone socket 610
3110SK611M3	Telephone socket 611 with Mode 3 feature
3110SP600/10	Stacking plate to suit 610/611 sockets (packet of ten)



3110SK610



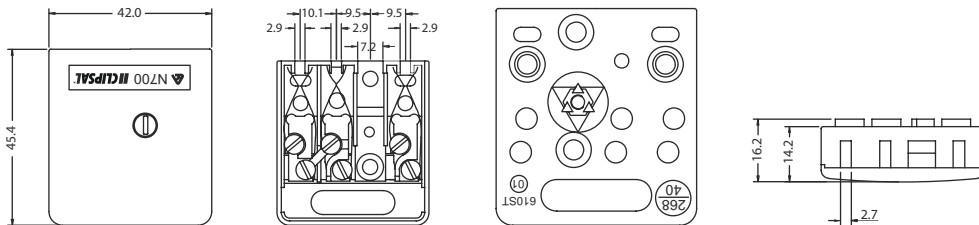
3110SK611M3



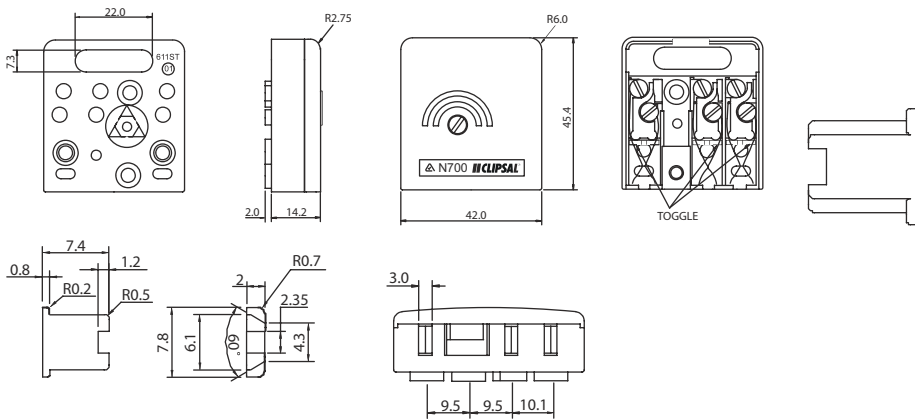
3110SP600/10

TECHNICAL DRAWING

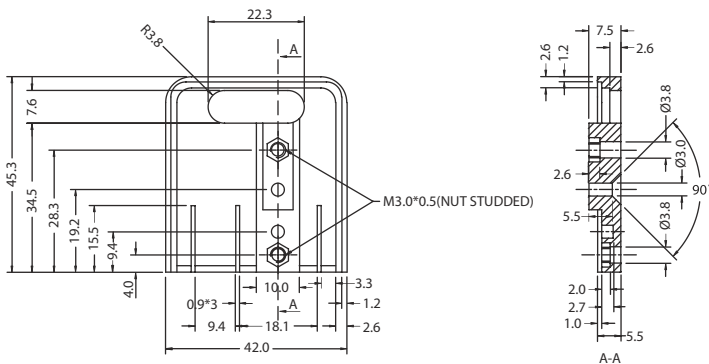
3110SK610



3110SK611M3



3110SP600/10



Product of Clipsal Australia Pty Ltd
A member of Schneider Electric

clipsal.com.au

Contact us clipsal.com/feedback

National Customer Service Enquiries:

1800 728 728

Clipsal Australia Pty Ltd reserves the right to change specifications, modify designs and discontinue items without incurring obligation and whilst every effort is made to ensure that descriptions, specifications and other information in this document are correct, no warranty is given in respect thereof and the company shall not be liable for any error therein.

© Clipsal Australia Pty Ltd

The identified trademarks and copyrights are the property of Clipsal Australia Pty Ltd unless otherwise noted.