

AIRFLOW[®]

keeping air fresher

Ceiling Mounted Ducted Exhaust Fan Kit

Installation Instructions

CEF40WK



CONTINUOUS
OPERATION



RESIDENTIAL
APPLICATIONS

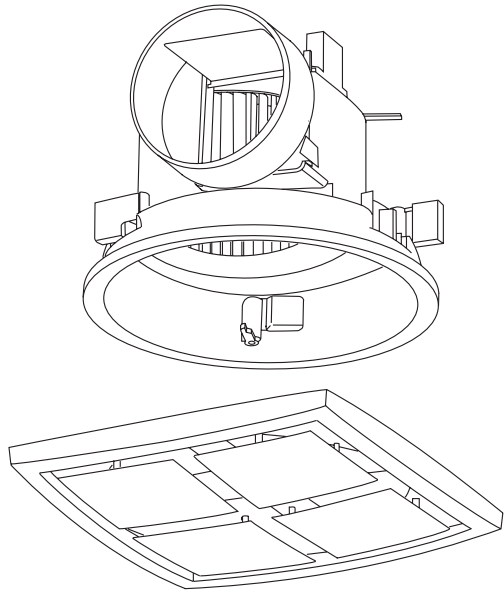


Table of Contents

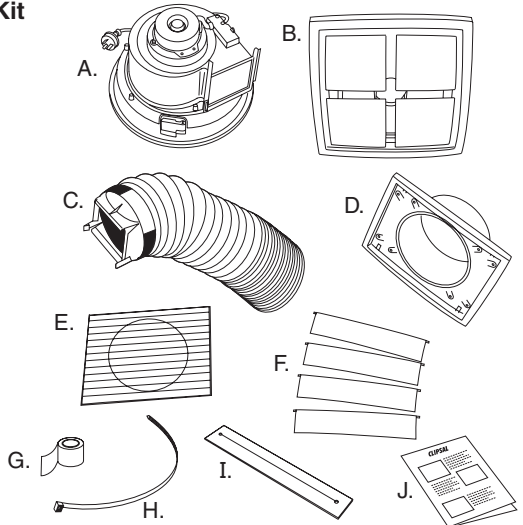
Included With This Fan.....	3
Not Included With This Fan.....	3
Before You Start	3
Cautionary Notes.....	4
1.0 Locating The Position of the Fan	4
2.0 Identifying Clearances and Obstructions	5
3.0 Marking The Hole Location.....	6
4.0 Connecting Ducting to Outlet Frame.....	7
5.0 Install Fan	8
6.0 Attach The Grille	9
Troubleshooting Guide	9
Service & Maintenance	10
Warning	10
Warranty	10
Standards	12

Thank you for purchasing this Airflow ceiling mounted exhaust fan. You can be assured of years of trouble-free operation by installing your ceiling fan carefully in accordance to these instructions. Please read all the instructions before commencing, then complete each step in order.

Included With This Fan

CEF40WK Ducted Exhaust Fan Kit

- A. 1 x Fan
- B. 1 x Grille
- C. 3M x Flexible ducting fitted with clip-on adaptor
- D. 1 x Wall outlet flange
- E. 1 x Clip-in outlet louvre
- F. 4 x Clip-in outlet gravity shutters
- G. 2M x Roll of duct tape
- H. 1 x Cable Tie
- I. Template
- J. Installation instructions



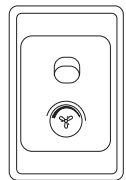
Not Included With This Fan

The following products are not supplied with this fan kit and may need to be purchased or installed separately.

- 1 x Clipsal 413QC,WE Surface Socket (or equivalent)
- 1 x CEFBRICKBKT Brickwork chassis for easier mounting of the outlet onto brick walls
- Control devices to operate the fan including switches or timers (e.g. 2032E500F).



413QC,WE



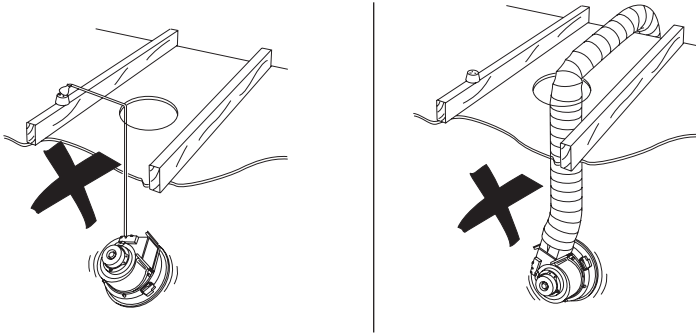
2032E500F

Before You Start

1. Ensure that the contents of the box are complete and that you have all the necessary items.
2. Before you cut any holes, check the necessary clearances described in the instructions and ensure that there are no obstructions.
3. **All electrical work must be carried out by a qualified Electrician.**

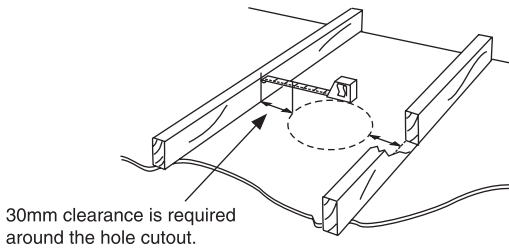
Cautionary Notes

Do not suspend the fan from the power cord or flexible ducting. Always disconnect the fan if it is to be removed from the ceiling.

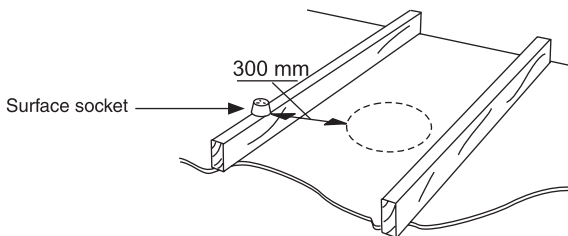


1.0 Locating The Position of The Fan

1. Locate the position of the fan on the ceiling. (It may be safer to mark the position from above the ceiling where the obstructions are clearly visible, rather than from inside the room).

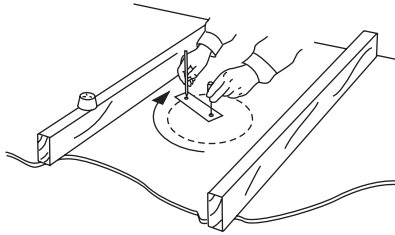


2. Locate the position of the surface socket. This should be located no more than 300mm from the hole for the fan. (If the surface socket is already installed, the fan should be located no further away than 300mm).



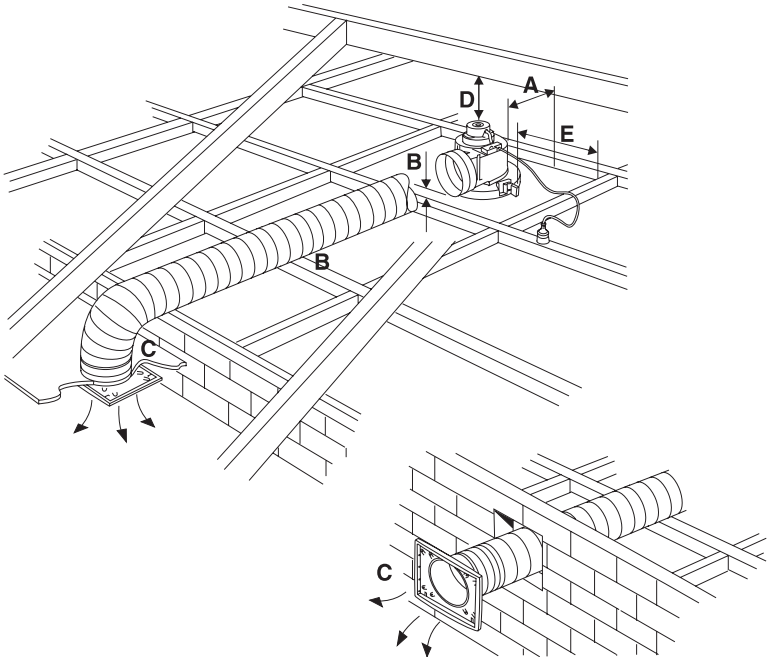
- Use the supplied template to mark the location of the hole on the ceiling and cut the hole.

Important Note: Make sure there are no electrical cables in the way before you commence cutting.



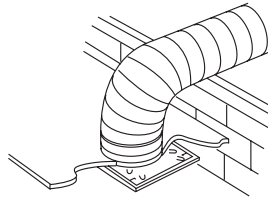
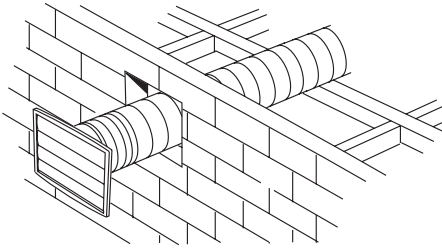
2.0 Identifying Clearances and Obstructions

- Identify where the ducting is to be run to ensure it is free of obstructions and identify where the outlet is to be located.



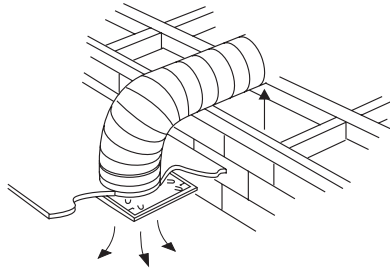
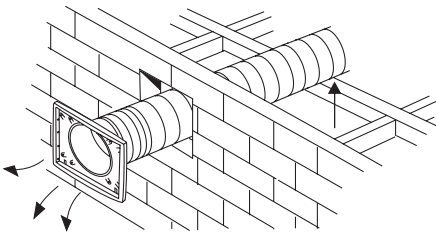
- Ensure fan and swing-out clips are clear of obstructions.
- Ensure duct will sit on top of obstructions.
- Ensure grille will not be obstructed.
- Ensure cavity (above ceiling material) is greater than 225mm.
- Ensure there is a 30mm clearance around the hole cutout.

2. The outlet can exit via the side wall or exit under the eaves.

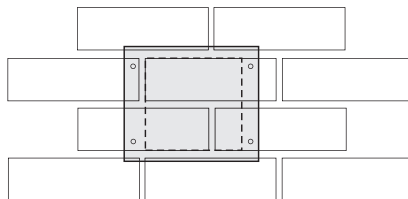
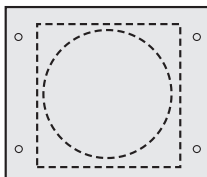


3.0 Marking The Hole Location

1. Identify where the outlet is to be located and ensure there is sufficient clearance and no obstructions.



2. Use the supplied template to mark the hole location. Use the circular portion of the template for easy to cut materials such as timber (or plasterboard) and the rectangular portion of the template for brick walls.

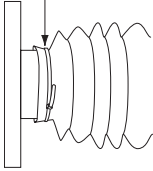


The outlet has been designed to fit within two courses of standard 76mm high bricks with 10mm mortar. To assist the installation of the outlet on brick walls there is also a brickwork chassis available as a separate accessory.

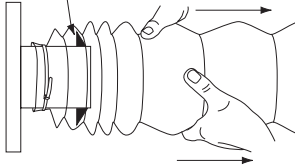
4.0 Connecting Ducting to Outlet Frame

1. Run the flexible ducting from the fan location to the outlet and connect the ducting to the outlet frame using the supplied cable tie, pull the ducting until it stops, then use the supplied duct tape to seal the joint.

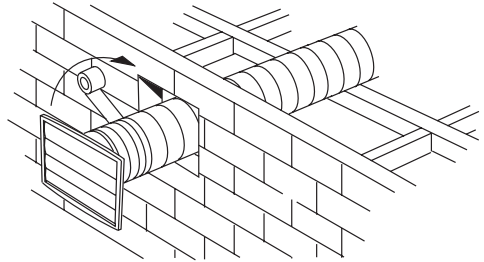
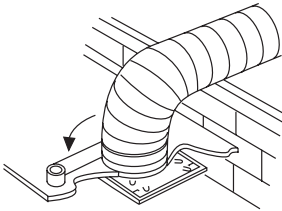
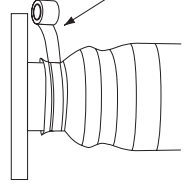
1. Attach using supplied cable tie



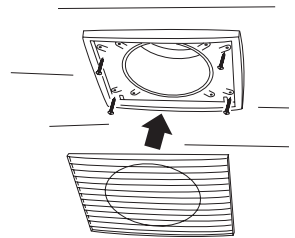
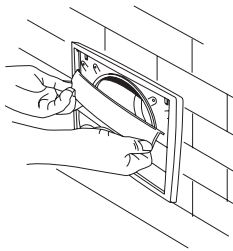
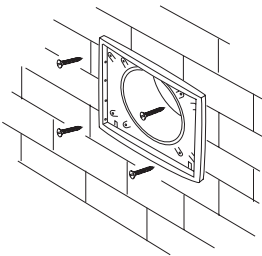
2. Pull ducting over barbs until it stops



3. Seal the joint with supplied duct tape



2. Fix the outlet frame to the wall/eaves and then clip-in either the gravity shutters or the fixed grille.

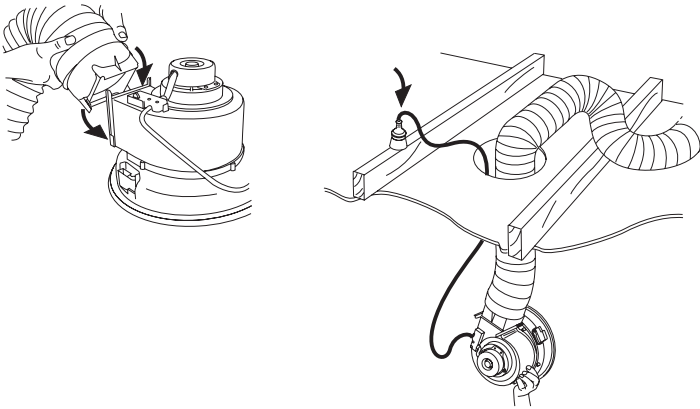


Mounting to a side wall

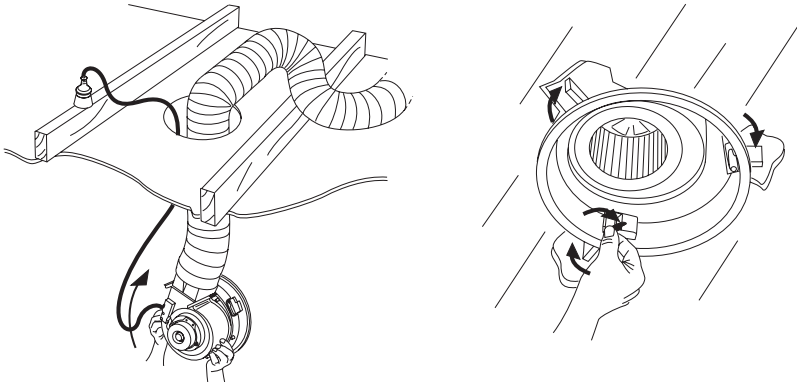
Mounting under eaves

5.0 Install Fan

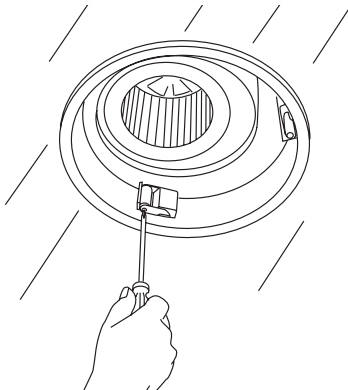
1. Clip the flexible ducting (with its pre-assembled duct adaptor) to the fan and plug the fan into the power point.



2. Insert the fan into the hole and use the three levers to swing out the mounting clips.

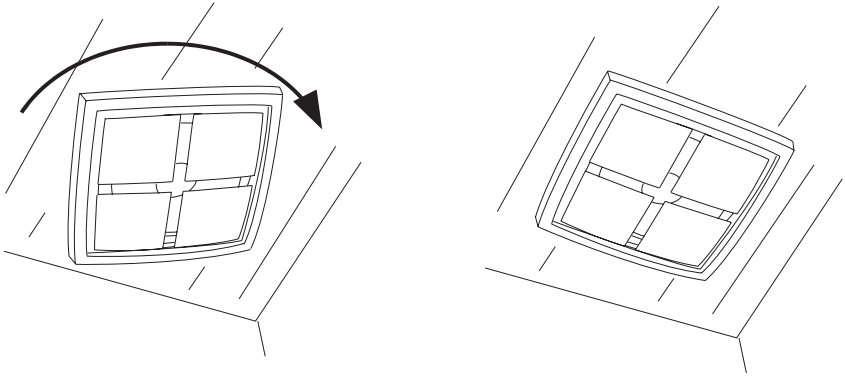


3. Use a screwdriver (or battery driver with a low torque setting) to tighten the screws (within the swing-out clips) and clamp the fan against the ceiling material.



6.0 Attach The Grille

1. Clip the grille onto the fan and rotate it to ensure the grille is aligned with the side walls.



Troubleshooting Guide

Every fan is tested for correct operation before leaving the factory. However, if you're having problems with your fan, try the following:

1. Fan is not operating

- If fan is activated by a switch, ensure the switch is turned on.
- If fan is activated by a sensor, ensure the sensor is operating correctly.
- If fan is activated by a timer, ensure the timer is operating correctly.
- Check that mains power is being provided to the fan.
- Remove the grille and ensure the fan blade is free from obstructions.

2. Fan is noisy

- Some noise is normal, exhaust fans move large amounts of air quickly and this naturally results in noise, however some additional noises can be introduced.
- Check that the fan is free of obstructions.
- Check the fan is screwed/clamped to the ceiling firmly as a loose fan can vibrate or rattle.
- Ensure the inlet grille is clipped-on properly (please note: a small gap of about 2mm between the grille and the ceiling is normal).

3. Fan doesn't move enough air

An exhaust fan removes air from a room and requires that air to be replaced. This generally occurs at the gap below the door or around windows. However, if there is insufficient "replacement-air" available then the fan is forced to work harder and the air-movement is reduced.

- Run the fan with the door open and slowly close the door. If the noise of the fan changes and sounds like it's labouring, you may have insufficient "replacement-air". To correct this you can increase the gap at the bottom of the door or install a door grille.
- If the fan is ducted, ensure the Duct Adaptor is clipped onto the fan correctly allowing the backdraft shutter to open fully.
- If the fan is ducted, check there are no obstructions to the outlet grille.

- The inclusion of insect screens within the outlet can result in lower air-movement performance. Regular cleaning of the insect screen may be required to remove duct buildup that will block the outlet.
 - Failure to remove blockages to the airflow may void the fan warranty.
- 4. The lever that operates the swing-out clips is not sitting flush against the wall of the fan.**
- There must be 30mm of clearance around the mounting hole to ensure the swing-out clips do not hit obstructions.

Service & Maintenance

There are no user-serviceable parts inside the CEF40 fans. Contact your local electrician if servicing or maintenance is required.

Regular cleaning of the fan is recommended. The inlet grille can be simply removed from the fan and washed using warm soapy water.

Important Note: The grille is not recommended for cleaning in dishwashers.

Cleaning the fan is also recommended. **Safety Warning:** Ensure the fan is switched off and tape it in the off position before working on the fan. Use a damp cloth (using water only) to wipe down the fan and surrounding housing.

Important Note: Do not use cleaning agents or solvents when cleaning this fan.

Warning

This appliance is not intended for use by young children or infirm persons without supervision.

Children should be supervised to ensure they do not play with the appliance.

Appliance intended for ceiling mounting only.

The supply cord cannot be replaced. If the cord is damaged the appliance should not be used.

Warranty

The CEF fan and related products are guaranteed for three (3) years in residential applications and twelve (12) months when used under continuous operation or in Commercial applications.

Warranty

The benefits conferred by this warranty are in addition to all other rights and remedies in respect of the product which the consumer has under the Trade Practices Act and similar State and Territory laws.

The original purchaser of this Airflow Ducted Fan Kit is provided with the following warranty, subject to the following conditions. Clipsal Australia Pty Ltd warrant this product for a period of 3 years from the date of purchase for all parts defective in workmanship or materials. All defective parts will be replaced free of charge. The following exclusions do not preclude the purchaser from those statutory rights consumers have under the Trade Practices Act or similar State and Territory Laws.

Warranty Conditions

1. This warranty is only valid for appliances installed according to the manufacturer's instructions.
2. This appliance must not be modified or changed in any way.
3. All wiring must be carried out by a licensed electrician or similarly qualified person and must be connected to the voltage requirements as specified in the ratings label.
4. The manufacturer does not accept liability for any direct or consequential damage, loss or other expense arising from misuse or incorrect installation and operation of the appliance.
5. Warranty will only be given on appliances where proof of purchase date is provided eg. original invoice or copy.

Complete the following section and keep in a safe location in the event that you need to make a warranty claim. **Do not return this information to Clipsal unless you are planning to make a warranty claim.**

As a record of your purchase, please fill out the following details and file this information with your purchase invoice.

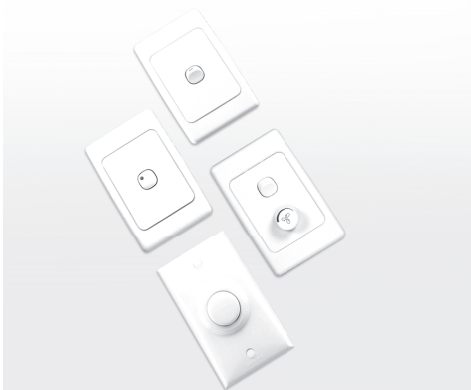
Airflow Model Number: _____

Serial Number: _____

Purchased From: _____

Date of Purchase: _____

Also available from Clipsal



- **Electronic fan speed controllers**
- **Run-on timers**
- **Electronic timers**
- **Pneumatic timers**

Standards

The following is a list of standards for the CEF40 ceiling mounted exhaust fan.

Regulation	Standard	Title
Electrical Safety	IEC 60335-1	Household & similar electrical appliances - Safety PART 1 General requirements
	IEC 60335-2.80	Household & similar electrical appliances - Safety PART 2.80: Particular requirements for fans
Electromagnetic Compatibility	CISPR14-1	Electromagnetic compatibility – Requirements for household appliances, electric tools and similar apparatus – Part 1: Emission
	CISPR14-2	Electromagnetic compatibility – Requirements for household appliances, electric tools and similar apparatus – Part 2: Immunity
Air-Movement Performance	AS1668.2	The use of ventilation and air-conditioning in buildings - Part 2: Ventilation design for indoor air contaminant control (excluding requirements for the health aspects of tobacco smoke exposure)
Building Code of Australia (BCA)	Class 1 & Class 10 Buildings Housing Provisions - Volume 2	Part 3.12.3 Building Sealing - Clause 3.12.3.4 Exhaust Fans Part 3.8.5 Ventilation - Clause 3.8.5.0 Acceptable Construction Manual
Energy Efficiency	Sustainable Energy Authority Victoria (VIC Government)	Complies with requirements for 5 Star homes - Sealable exhaust fan with self-closing dampener to prevent air leakage from sealed buildings - Gravity shutters included on wall mounted outlets
	Building Sustainability Index (Basix - NSW Government)	Ventilation requirements - This fan can be installed with or without ducting and can be controlled by switches or timers in accordance with the criteria defined in the Basix software.

Product of Clipsal Australia Pty Ltd.
A member of the Schneider Electric Group
 ABN 27 007 873 529

clipsal.com

Head Office
 12 Park Terrace, Bowden, South Australia 5007
 Telephone (08) 8269 0511
 Facsimile (08) 8340 1724
 E-Mail plugin@clipsal.com.au

Clipsal and Airflow are registered trademarks of Clipsal Australia Pty Ltd.

National Customer Service Enquiries:
Tel 1300 2025 25
Fax 1300 2025 56

Clipsal Australia Pty Ltd reserves the right to change specifications, modify designs and discontinue items without incurring obligation and whilst every effort is made to ensure that descriptions, specifications and other information in this catalogue are correct, no warranty is given in respect thereof and the company shall not be liable for any error therein.

©Copyright Clipsal Australia Pty Ltd.
 All rights reserved.