

Residual Current Devices

Fault Finding Guide

RCD Series

Note: The following appliances may occasionally cause nuisance tripping of the RCD: Water Heaters, Electric Jugs and Kettles, Steam Irons, Dishwashers, Washing Machines, Swimming Pool Equipment, Auto Defrost Refrigerators and Freezers.

Note: If a faulty appliance is discovered, do not use it in an unprotected outlet under any circumstances. The faulty appliance must be repaired by a qualified person before it is used again.

TEST MONTHLY USING TEST BUTTON

Warning: Residual current devices only protect individuals from Active to Earth contact which is the largest cause of electrocution. It will not protect against electric shock resulting from contact with Active and Neutral wires. Electricity can be dangerous - the use of this product cannot be regarded as a substitute for basic electrical safety.

Your Contact Electrician:

Telephone Number:

Installing Electrician

Please Note:

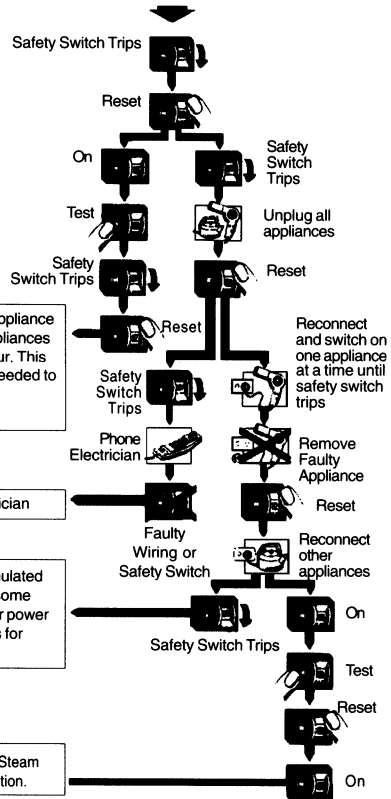
Attach the sticker in prominent position close to RCD.

Trip may have been caused by a fault in an appliance or in the power supply. Keep a note of the appliances being used and the times when the trips occur. This information will help an electrician if one is needed to check the installation. Momentary electrical disturbances can also cause an isolated trip.

Faulty installation likely. Requires electrician

Trip was caused by small amounts of accumulated leakage from a number of appliances. Plug some appliances into other circuits or have another power circuit installed. Check individual appliances for earthing faults.

Have faulty appliances tested and repaired. Steam irons, fry pans, toasters, etc. may need attention.



Gerard Industries Pty Ltd ACN 007 873 529
 12 Park Terrace, Bowden, South Australia 5007
 Telephone (08) 8269 0511 Facsimile (08) 8340 1724