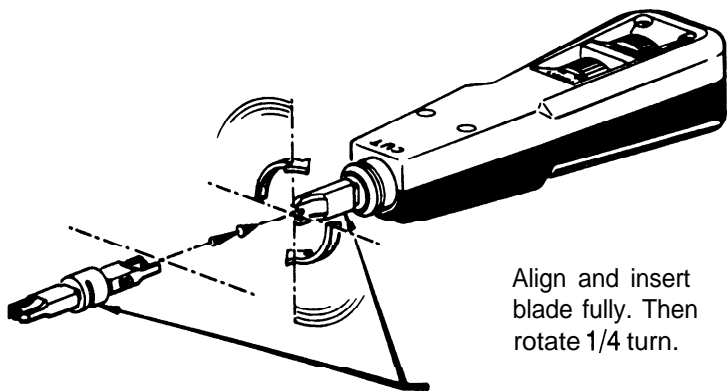


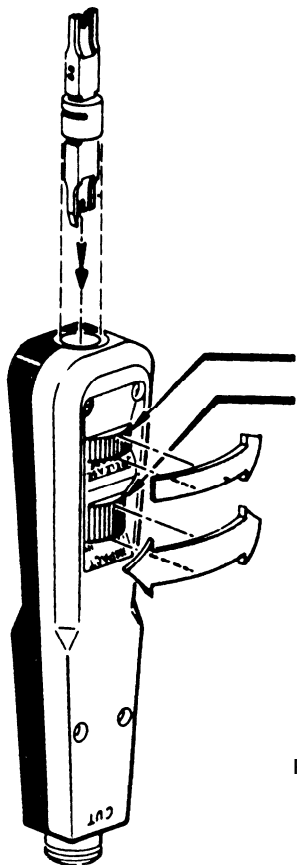


Connection Tool for 30RJ88SMA5 Series Instruction for 30RJA5CT D Impact Tool

MOUNTING BLADE



Align and insert
blade fully. Then
rotate 1/4 turn.



SPARE BLADE STORAGE

- Insert blade in hole, rotate release wheel, blade then drops in.
- Release wheel to lock.
- Invert tool, rotate release wheel and blade drops out.

RELEASE WHEEL

IMPACT WHEEL

CHANGING IMPACT FORCE

Rotate impact wheel to select low or high impact.

Always use low impact for 30RJ88SMA5 Series.

REPLACEMENT BLADE: Cat No 30RJA5CTB

Products of Gerard Industries Pty Ltd

ACN 007 873 529

12 Park Terrace, Bowden, South Australia 5007

Telephone (08) 8269 0511

Offices in all states