

One touch - blinding levels of control



Shutter Motor Control Relay

- One, two or three button control
- Electrically Interlocked Relays
- Suitable for both AC and DC motors
- Optional 'field-mount' enclosure
- Direct Motor Control
- Local manual override buttons.



Commercial and Residential Applications

The new Clipsal C-Bus Shutter Motor Control Relay Units are designed to directly drive the motors for soft furnishing components like motorised blinds, curtains, shutters and awnings. The relay unit can be easily installed in the switchboard or in the field in the optional din-rail mount enclosure.

Designed with the installer in mind, this unit provides an easy to install module with features required to make direct motor control safe and simple. Such features include:

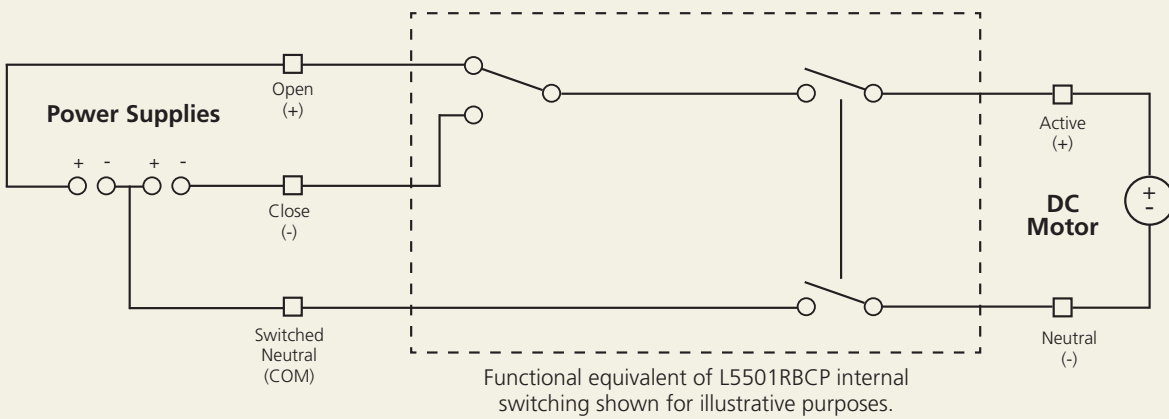
- Internally electrically interlocked directional contacts
- One, two or three button control from C-Bus switchplates or touchscreens
- Programmable time delays (0.5 – 4.0 seconds) between motor direction change
- Din-rail mounting or optional enclosure for field installation of unit
- Local manual override buttons to assist with setting end-limits.

Relay 1	Relay 2	Motor State
Open	Position 1	Stopped
Open	Position 2	Stopped
Closed	Position 1	Up
Closed	Position 2	Down

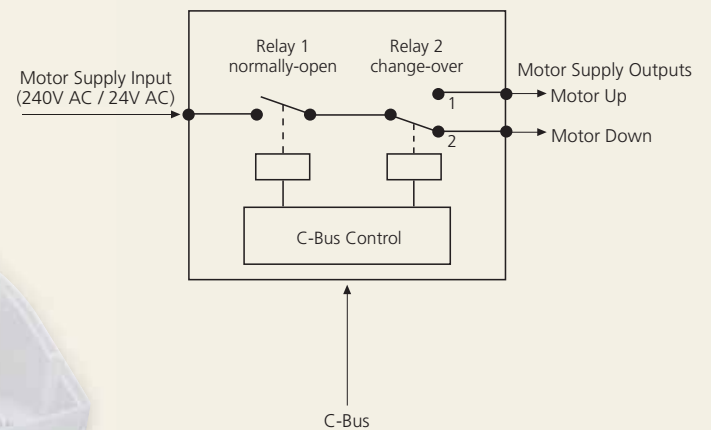




DC Motor Control



AC Motor Control



Images supplied by Betta Blinds

C-Bus

Shutter Control Relay Specifications



Parameter	Description
C-Bus Supply Voltage	15-36V DC @ 22mA required for normal operation. Does not provide current to the C-Bus Network
AC Input Impedance	80kΩ @ 1kHz
Electrical Isolation	3.75kV RMS from C-Bus to mains
Max. Units per Network	80
Load Current Rating	2A (motor load)
Load Voltage Rating	24V DC, 24-240V AC
Warm Up Time	5 seconds
Network Clock	Software Selectable
Network Burden	Software Selectable
Class of Switch	Class II
Rated Impulse Withstand Voltage	4 kV
Operating Temperature	0° to 45° C
Operating Humidity	10 to 95% RH
Dimensions (W x H x D)	36 x 93 x 63mm
Weight	250g
Mains terminals	Accommodates 2 x 1.5mm ² or 1 x 2.5mm ² (2 x 15AWG or 1 x 13AWG)



Shutter Control Relay Enclosure Specifications

Parameter	Description
Dimensions (W x H x D)	159 x 75 x 47mm
Mounting Centres	84mm
Weight	116g

Product of Clipsal Australia Pty Ltd

A member of the Schneider Electric Group

Head Office

12 Park Terrace, Bowden
South Australia 5007

Telephone (08) 8269 0511

Facsimile (08) 8340 1724

Internet clipsal.com

E-Mail plugin@clipsal.com.au

National Customer Service Enquiries:

1300 2025 25

National Customer Service Facsimile:

1300 2025 56

International Enquiries International Sales and Marketing

Telephone + 61 8 8269 0587

Facsimile + 61 8 8340 7350

E-Mail export@clipsal.com.au

New Zealand Clipsal Industries (NZ) Ltd

Telephone (09) 576 3403

Facsimile (09) 576 1015

E-Mail headoffice@clipsal.co.nz

Customer Service

Free Fax (0508) 250 305

Auckland/Mobile Phone (09) 572 0014

Free Phone (0508) CLIPSAL
2 5 4 7 7 2 5

You can find this brochure and many others online in PDF format at: clipsal.com

Follow the links off the home page or access the following page directly:

clipsal.com/wat_lib_pdf.cfm

clipsal.com

Clipsal Australia Pty Ltd reserves the right to change specifications, modify designs and discontinue items without incurring obligation and whilst every effort is made to ensure that descriptions, specifications and other information in this catalogue are correct, no warranty is given in respect thereof and the company shall not be liable for any error therein.

© Clipsal Australia Pty Ltd.