



LED Floodlights

FLS Series
Big performance in a smaller, slimmer package



clipsal.com/floodlights

Life Is On





The LED floodlight that punches above its weight

Clipsal FLS Series LED Floodlights are designed to perform similar to larger floodlights, but in a smaller, easier to work with package. Slim and unobtrusive, they are ideal for residential and commercial applications where appearance counts.

Long Life

LED technology has a significantly longer lifespan than traditional lamp sources. With an L70 rating of 36,000 hours, they can last up to 10 times longer than older technologies.

Energy Efficiency

Clipsal LED Floodlights convert almost all of the energy they consume into visible light. The fixtures produce less heat and require less power to achieve the high lighting levels expected from floodlighting. Running costs are lowered and in turn, savings on electricity bills will increase.

Stylish and Modern

Perfect for residential and commercial installations, FLS Series Floodlights have been designed to be stylish and practical.

The discreet slimline design features a built-in driver, allowing for greater flexibility during installation. A 4000K colour light output allows for a more subtle, ambient effect.

Integrated Sensor Option

A 20W version is available with a microwave sensor, which can be adjusted independently of the floodlight. This provides greater flexibility when installing.

Instant Brightness

Traditional lamp sources require a period of time to achieve maximum brightness. LED technology eliminates this by reaching maximum output as soon as they are turned on.

And because there is no re-strike delay, greater energy savings can be achieved, by combining them with Clipsal motion or photoelectric sensors or timers.

Robust Design

Clipsal FLS Series LED Floodlights have been designed to withstand the harsh and varied conditions experienced throughout Australia.

As such, they are manufactured with a high-quality integral LED driver, powder coated die-cast aluminium weatherproof casing, and LEDs that are resistant to the shock and vibrations commonly experienced during transport and installation.

Specifications

- Available in 10W, 20W and 50W
- 20W version available with sensor
- Lamp temperature 4000K
- Die-cast aluminium construction with toughened glass front visor
- Integral driver
- Operating voltage 240V AC 50hz
- Adjustable trunnion arm
- IP65 rated housing
- Lifespan 36,000hrs
- Beam angle of 105°



Features and benefits

Robust construction

Powder-coated die-cast aluminium construction, to maintain IP65 rated casing.

Stylish, modern design

Suitable for residential and light-commercial applications.

High-quality LED chip

36,000 hours lifespan.

Adjustable trunnion arm and stainless steel locking screws

Allows for easier and more accurate adjustment of the light throw.

4000K colour light output

More subtle, ambient lighting effect.

Durable silicone gasket

Allows the fixture to maintain an IP65 rating after installation.

Microwave sensor

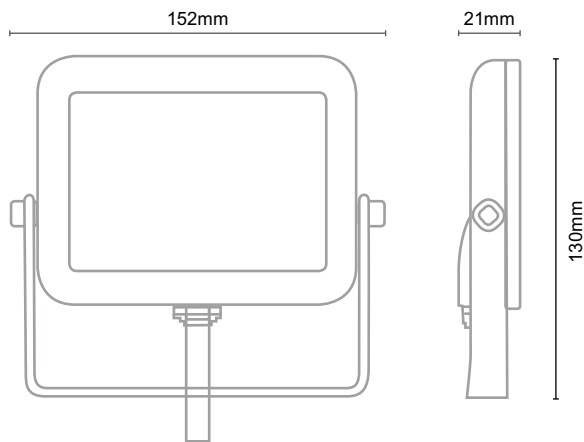
Sensitivity, time and light level adjustment.

FLS Series Floodlights

	10W - FLS10LED	20W - FLS20LED	20W Sensor - FLS20SENLED	50W - FLS50LED
Input voltage	240V AC 50Hz	240V AC 50Hz	240V AC 50Hz	240V AC 50Hz
Lumen level	>700lm	>1400lm	>1400lm	>3500lm
CRI	>80	>80	>80	>80
Beam angle	105 degrees	105 degrees	105 degrees	105 degrees
Lifespan (L70)	36,000 hours	36,000 hours	36,000 hours	36,000 hours
CCT	4000K	4000K	4000K	4000K
LED lamp power	10W	20W	20W	50W
IP rating	IP65	IP65	IP65	IP65
Weight	410g	890g	979g	2.14kg

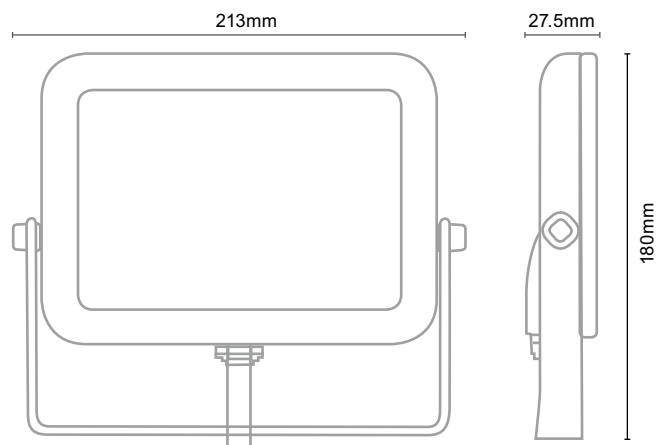
FLS10LED

Width = 152mm, Height = 130mm, Depth = 21mm



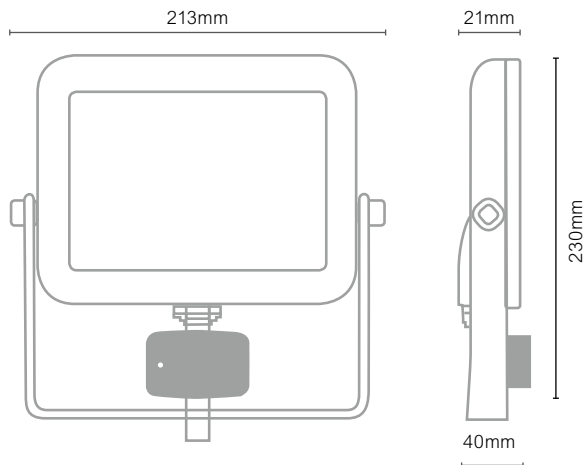
FLS20LED

Width = 213mm, Height = 180mm, Depth = 27.5mm



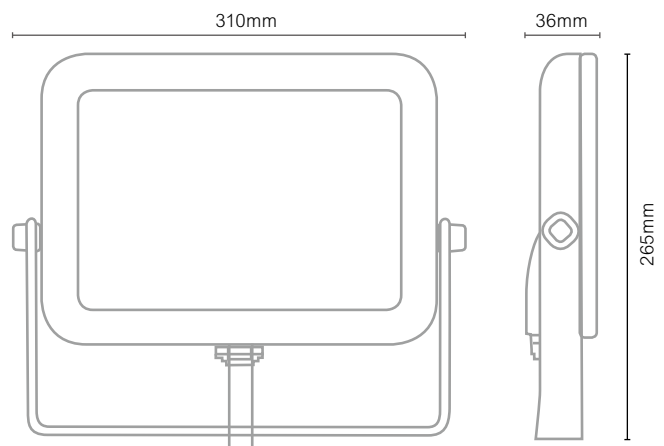
FLS20SENLED (LED floodlight with sensor)

Width = 213mm, Height = 230mm, Casing Depth = 21mm, Total Depth = 40mm



FLS50LED

Width = 310mm, Height = 265mm, Depth = 36mm



Schneider Electric (Australia) Pty Ltd

33-37 Port Wakefield Road
Gepps Cross, South Australia, 5085

PO Box 132, Enfield Plaza
South Australia 5085

www.schneider-electric.com.au

SEAU148602

National Customer Care

Enquires: 1300 369 233
Email: plugin@clipsal.com.au

Access this document directly:
clipsal.com/brochures

For more information about Clipsal Lighting Solutions, contact your local Clipsal and Schneider Electric Partner Business Representative, electrical wholesaler or visit clipsal.com

