


Infrascan

757 Series Passive Infrared
Motion Sensor with Remote Control

CLIPSAL[®]

by **Schneider** Electric



**For peace of mind
while you are away**

clipsal.com

Infrascan

757 Series Passive Infrared
Motion Sensor with Remote Control

Superior **sensing** performance

The new Clipsal Infrascan® Passive Infrared Motion Sensor provides superior sensing performance and comes with a remote control, incorporating the features everyone's been waiting for.

A sensing range of 20 metres and a field of view of 300°, with three separate and adjustable zones, offers coverage and flexibility like never before.

The separate, adjustable zones provide you with the flexibility to alter the sensing range if required. For example, you can reduce the sensing range of the middle zone to blank out cars driving along the road.

The convenient remote control enables you to switch lights ON and OFF remotely.

It also features a "Holiday" function, which automatically switches connected lights ON and OFF after a pre-set period, providing you with peace of mind while you're away.

All of this is wrapped in a sleek, stylish black or white design.

Mounting Options

The Clipsal Infrascan PIR Motion Sensor offers the versatility required for any application.

It can be fitted under eaves, directly to a wall, or on a corner using an optional mounting bracket adapter.

Versatile mounting options



C O M M E R C I A L | R E S I D



Corner-Mount Bracket Adapter

You can cover all angles by corner-mounting your Infrascan PIR Motion Sensor with this clever optional bracket adapter.

757MBA

Convenience, safety and security



Infrared Remote Control

- **Holiday function**

To make it appear you're home while being on holiday, connected lights randomly switch ON and OFF when it is dark outside

- **Light ON**

Switch light ON for four hours

- **Light OFF**

Switch light OFF for six hours

- **Lux Level (default)**

Adopt the Lux Level default setting

- **Lux Level (user)**

Change Lux Level setting to the desired value

- **Reset function**

Quit the Holiday and Manual Override function

Infrascan Features and Benefits

- Superior sensing performance
- Remote control with Holiday function
- Sensing range of 20 metres
- 300° field of view with three separate and adjustable zones
- Anti-creep function
- Manual Override function (by means of external light switch)
- Flexible mounting options (wall, ceiling and corner)
- IP54 protection rating
- 3-wire design
- Available in both black and white

E N T I A L | I N D U S T R I A L



Floating Relay Module

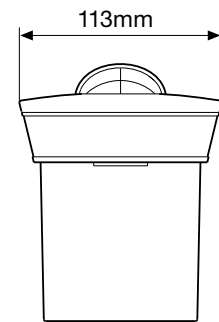
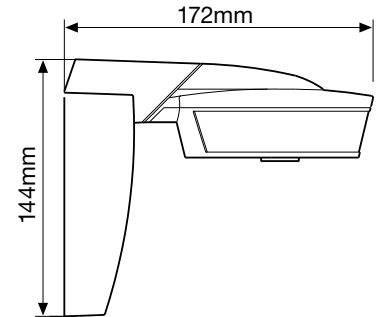
The optional floating relay module allows you to connect the sensor to independent devices or a system.

757FRM



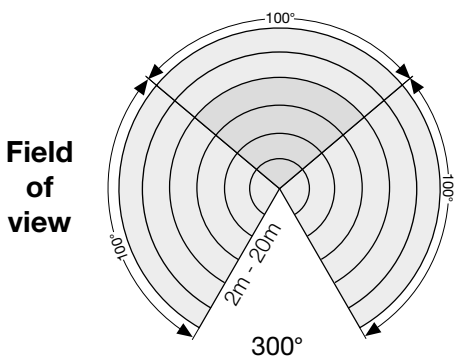
Technical Specifications

Technical Feature	Catalogue Number: 757SRR
Colour Options	Black (BK), White Electric (WE)
Dimensions (H x W x D)	144mm x 113mm x 172mm
IP Rating	IP54
Wiring Configuration	3-wire design
Operating Voltage	240V~ 50Hz
Compatible Loads	Compact fluorescent lamp: 20W x 8 max. Fluorescent lamp: 1000W max. Incandescent lamp: 2400W max. For further details and derating please refer to the installation instructions
Field of View	300° with anti-creep zone directly below the sensor
Sensing Range	2m – 20m, independently adjustable in 3 zones
Sensor Technology	Passive infrared sensors with 1360 switching zones (11 levels)
Time Setting	5 seconds – 15 minutes, Pulse mode option
Lux Level Setting	2 – 2000 lux
Manual Override	Light ON for 4 hours (activated by external light switch)
Remote Control Function	Holiday mode, Manual Override, Lux Level setting, Reset
Warranty	3-year functional warranty

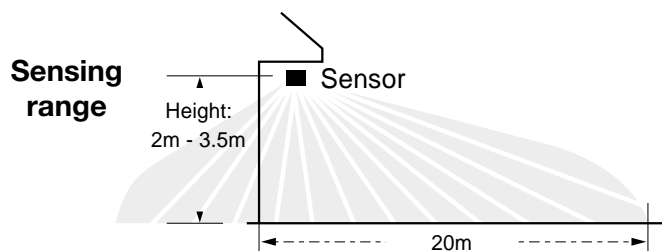


Optional Accessories: Floating Relay Module **757FRM**
Mounting Bracket Adapter **757MBA-WE** and **757MBA-BK**

Field of View and Sensing Range



Sensing range of 20 metres, with three separate and adjustable zones.



Ideal installation height is between 2.5 and 3.5 metres.

Take advantage of the great benefits that Clipsal Infrascan PIR Motion Sensors have to offer. For more information, contact your nearest Clipsal Representative, electrical wholesaler or visit clipsal.com.

Schneider Electric (Australia) Pty Ltd

33-37 Port Wakefield Road, Gepps Cross
South Australia 5094

PO Box 132, Enfield Plaza,
South Australia 5085

**National Customer Care Enquiries:
1300 2025 25**

clipsal.com

Website: clipsal.com
Contact us: clipsal.com/feedback

You can find this brochure and many others online in PDF format at: clipsal.com
Follow the links off the home page or access the following page directly:
clipsal.com/brochures

Schneider Electric (Australia) Pty Ltd reserves the right to change specifications, modify designs and discontinue items without incurring obligation and whilst every effort is made to ensure that descriptions, specifications and other information in this catalogue are correct, no warranty is given in respect thereof and the company shall not be liable for any error therein.

© 2013 Schneider Electric. All Rights Reserved.
Trademarks are owned by Schneider Electric Industries SAS or its affiliated companies.

This document has been printed using FSC Mix Certified paper. ISO 14001 environmental management system in use at mill.