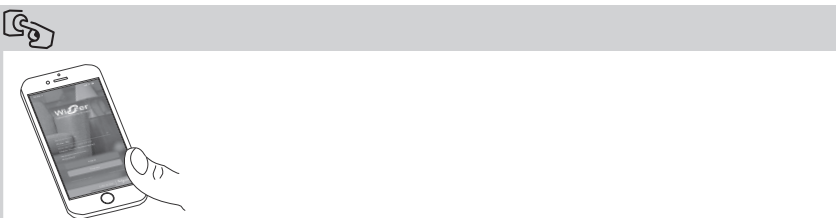
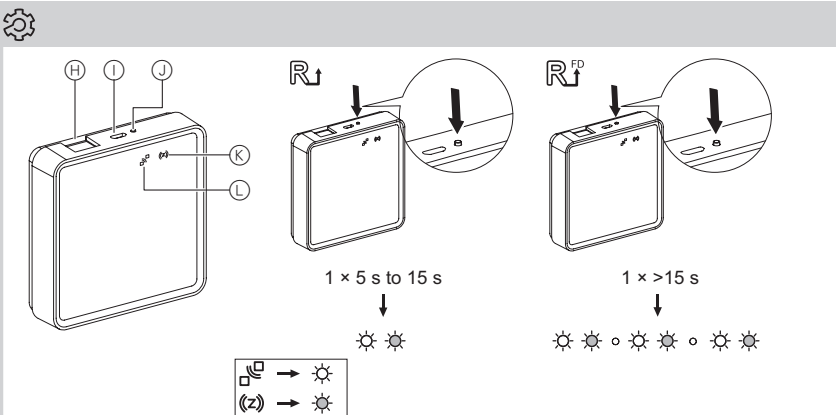
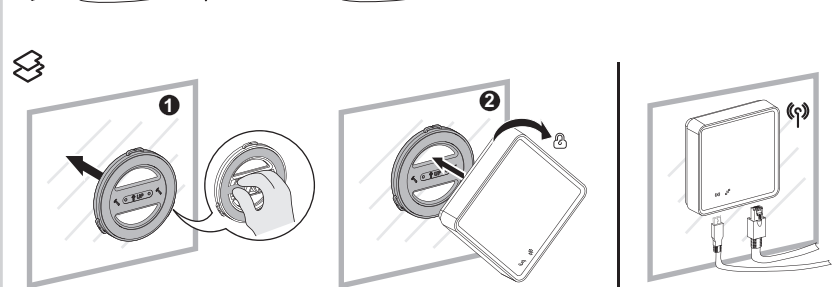
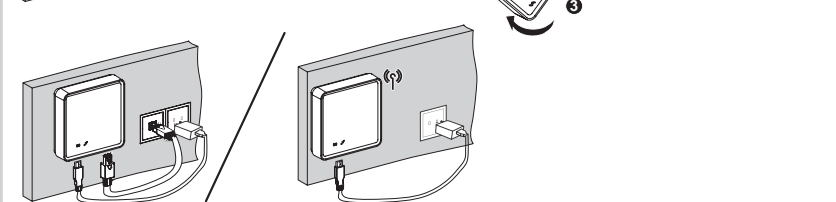
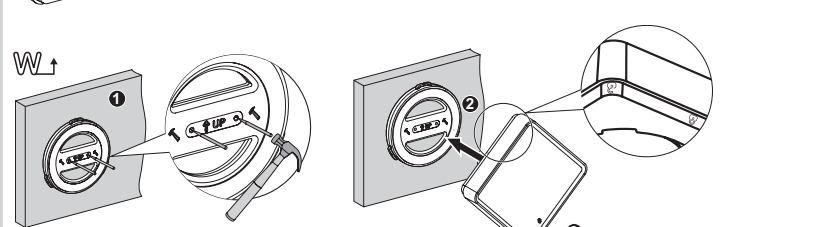
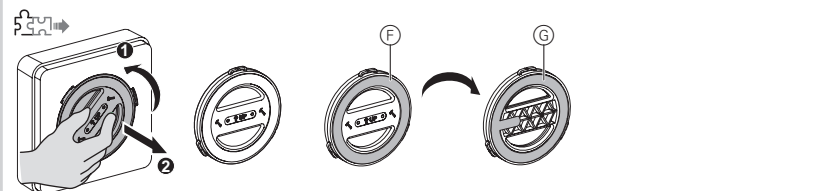
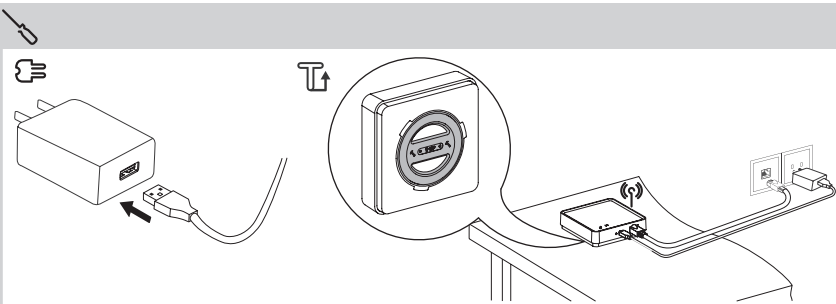
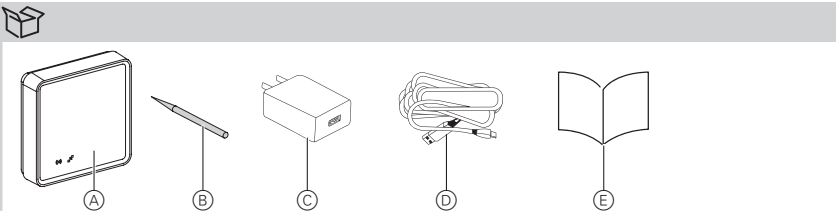


CCT501700



Please read the system user guide carefully before installation and keep it for future reference.

https://www.productinfo.schneider-electric.com/wiser_china/



For your safety

⚠️ ⚠️ DANGER

HAZARD OF ELECTRIC SHOCK, EXPLOSION, OR ARC FLASH

Safe electrical installation must be carried out only by skilled professionals. Skilled professionals must prove profound knowledge in the following areas:

- Connecting to installation networks
- Connecting several electrical devices
- Laying electric cables
- Safety standards, local wiring rules and regulations

Failure to follow these instructions will result in death or serious injury.

Prerequisites

Scan the QR code to download the mobile app onto your smartphone to configure and control Wiser Zigbee devices.



App Store URL:
<https://itunes.apple.com/us/app/wiser-by-se/id1026806919?ls=1&mt=8>



Google Play Store URL:
<https://play.google.com/store/apps/details?id=com.schneiderelectric.WiserBySE>

Getting to know the product

The Wiser Basic Hub (hereinafter referred to as **device**) is a communication interface that can be connected to all your Wiser Zigbee devices, enabling you to easily manage your home environment.

Functions

- Monitors and controls Wiser Zigbee devices through the mobile app, Ethernet or Wi-Fi®.
- Through the mobile app you can create *Moments* or *Automations* to operate Wiser Zigbee devices.

Package contents

- Ⓐ Wiser Basic Hub
- Ⓑ 4 × Nails
- Ⓒ AC adaptor
- Ⓓ USB cable
- Ⓔ Installation instructions

Mounting the device

Installing the AC adaptor

NOTICE

EQUIPMENT DAMAGE

Use the supplied AC adaptor to power the device.

Failure to follow these instructions can result in equipment damage.

Table ⇔ T↑

- ⓘ Do not remove the mounting base while placing the device on a table.
- The mounting base contains a rubber pad that helps prevent the device from slipping.

Mounting elements

- ⓘ Remove the mounting base from the device to install on a wall or on a smooth surface.

- Ⓕ Rubber pad
- Ⓖ Adhesive tape

Wall ⇔ W↑

- ⓘ It is recommended to use non trace nails for cement wall, sticker wall, lime wall, whitewashed wall and wooden wall.
- Choose other ways of installation for all other types of wall like marble, concrete and plaster wall.

- 1 Choose a suitable location on the wall and help to secure the mounting base with nails. Make sure that the arrow on the mounting base is pointing upward.
- 2 Mount the device on the mounting base with the unlock icon facing upwards so that the grooves on the device and mounting base are aligned.
- 3 Then rotate the device 45 degrees clockwise until it locks onto the mounting base.

Smooth surface ⇔ S⇔

- ⓘ Use a double-side tape for smooth wall surface, like glass, smooth ceramic tile, etc.

- 1 Peel off the cover from the adhesive tape from the mounting base and mount it on a smooth surface. Make sure that the arrow on the mounting base is pointing upward.
- 2 Mount the device on the mounting base and rotate the device clockwise until it locks onto the mounting base.

Operating elements

- Ⓜ Ethernet port
- Ⓛ Micro-USB port for the AC adaptor
- Ⓝ Reset button
- Ⓚ Zigbee LED
- Ⓛ Ethernet / Wi-Fi® LED

Resetting the device

- ⓘ The device supports Ethernet and Wi-Fi® connections.

Resetting the Ethernet and Wi-Fi® settings

Long press the Reset button once between 5 s to 15 s to reset the Ethernet and Wi-Fi® setting in the device.

Resetting the device to factory default

Long press the Reset button once for more than 15 s to reset the device to factory default mode.

Upon successful reset all configuration data, user data and network data are deleted.

Operating the device

Prerequisites

The device must be properly installed and powered On.

Configuring the device

The device can be configured through the mobile app.

Technical data

AC power adaptor	Model number: KA06E-0501000CN
	Input: 100-240 VAC, 50/60 Hz
	Output: 5.0 VDC, 1.0 A, 5.0 W
Connector type	Micro-USB port for the AC adaptor
Communication interface	Ethernet: IEEE802.3, 10/100 base-T (LAN)
	Wi-Fi®: 2.4 GHz, IEEE802.11 b/g/n
	Zigbee: 2.4 GHz, IEEE802.15.4 compliant
Operating frequency	2400 - 2483.5 MHz
Max. radio-frequency power transmitted	≤20 dBm (EIRP)
IP rating	IP20
Operating temperature	0 °C to 45 °C, indoor use only
Relative humidity	10% to 90%, non-condensing
Product dimensions (H × W × D)	90 × 90 × 24 mm
Certification	CE
	Zigbee 3.0

Dispose of the device separately from household waste at an official collection point. Professional recycling protects people and the environment against potential negative effects.

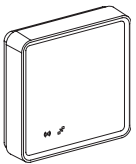
Trademarks

- Zigbee® is a registered trademark of the Zigbee Alliance.
- Wi-Fi® is registered trademark of Wi-Fi Alliance®.
- Apple® and App Store® are brand names or registered trademarks of Apple Inc.
- Android™ is a registered trademarks of Google Inc.
- Wiser™ is a trademark and the property of Schneider Electric SE, its subsidiaries and affiliated companies.

Other brands and registered trademarks are properties of their relevant owners.

Schneider Electric (China) Co. Limited

Block A, No. 6, Wangjing East Road, Chaoyang District, Beijing
Customer Support Hotline: 400 810 1315
se.com/contact



CCT501700



安装本产品前请认真阅读系统使用说明并保存以供后续参考。
https://www.productinfo.schneider-electric.com/wiser_china/

安全提示

⚠️ ⚠️ 危险

触电、爆炸或电弧闪光危险

本产品仅应由有电气安装知识的专业人员进行安装。专业人员需证明拥有以下专业知识和技能：

- 电气网络接线
 - 多个用电设备的连接
 - 电线线缆铺设
 - 电气安装标准，当地接线规则及当地法规
- 若不遵守此说明，则可能会导致死亡或重伤。

前提条件

扫描二维码下载 Wiser by SE app 到您的智能手机，以配置和安装 Wiser Zigbee 设备。



App Store URL:
<https://itunes.apple.com/us/app/wiser-by-se/id1026806919?ls=1&mt=8>

Android App 的 URL:
<https://www.schneider-electric.cn/zh/download/document/ECATA0101/>

产品简介

智慧家居网关 - 基础版（本设备）是一个可以连接到所有 Zigbee 设备的通信接口，借助云服务可以使您方便的管理家里的环境。

主要功能

- 通过 mobile app, Ethernet 或 Wi-Fi® 监控并控制 Wiser Zigbee 设备。
- 通过 mobile app 的安排，您可以创建场景并在特定的时间来自动化操作 Wiser Zigbee 设备。

包装内容

- Ⓐ 智慧家居网关 - 基础版
- Ⓑ 4颗 无痕钉
- Ⓒ AC 适配器
- Ⓓ AC 适配器 USB 线
- Ⓔ 安装说明书

安装设备

安装 AC 适配器

注意

设备损坏
 请使用随附的AC适配器为设备供电。
 若不遵守此说明，则可能会导致设备损坏。

桌面放置

- 当放置桌面时，请不要移除此安装支架。
- 安装支架的一面贴有硅胶垫，用于桌面防滑。

安装组件

- 将安装支架从产品中拆出，进行墙面或 其他光滑表面安装。
- Ⓕ 硅胶垫
- Ⓖ 双面胶

墙面安装

- 建议对以下类型墙面使用无痕钉进行安装：水泥墙，石灰墙，木墙。
- 以上未提及之墙面，如玻璃，瓷砖，大理石，石膏墙，混凝土墙，承重墙等，请选择其他方式安装。

- 选择墙面上合适的安装位置，使用无痕钉将安装支架钉入墙体，令钉子全部没入支架中，并确保支架上的箭头朝上。
- 按照开锁标志朝上的方向，将产品底部嵌入到安装支架的相应位置。
- 将产品顺时针旋转45度，直至锁定到安装支架上。

光滑墙面安装

- 光滑墙体表面，建议使用双面胶安装，如玻璃墙表，抛光砖墙表等。
- 撕掉双面胶表面的离型纸，将安装支架黏贴于光滑墙体表面上，并确保支架上的箭头朝上。
 - 按照开锁标志朝上的方向，将产品底部嵌入到安装支架的相应位置，顺时针旋转45度，直至锁定到安装支架上。

操作元件

- Ⓗ Ethernet 端口
- Ⓘ 用于AC适配器的微型USB端口
- Ⓝ 重置按键
- Ⓚ Zigbee LED
- Ⓛ Ethernet / Wi-Fi® LED

重置设备

此设备支持 Ethernet 和 Wi-Fi® 两种连接。

重置 Ethernet 和 Wi-Fi® 设置

长按重置按键保持5到15秒时间可重置设备的 Ethernet 和 Wi-Fi® 设置。

重置设备到出厂设置

长按重置按键保持到超过15秒时间可重置设备到出厂设置。
 重置成功后，所有配置数据，用户数据和网络数据均被删除。

操作设备

前提条件

必须正确安装智慧家居网关 - 基础版，并为其上电。

配置设备

可使用 mobile app 配置设备。

技术参数

AC 适配器	型号: KA06E-0501000CN 输入: 100-240 VAC, 50/60 Hz 输出: 5.0 VDC, 1.0 A, 5.0 W
连接器类型	用于 AC 适配器的微型 USB 端口
通信接口	Ethernet: IEEE802.3, 10/100 base-T (LAN) Wi-Fi®: 2.4 GHz, IEEE802.11 b/g/n Zigbee: 2.4 GHz, 符合IEEE802.15.4
工作频率	2400 - 2483.5 MHz
最大无线传输功率	≤20 dBm (EIRP)
IP 等级	IP20
工作温度	0 °C 到 45 °C, 仅限室内使用
相对湿度	10% to 90%, 无冷凝
产品尺寸 (H × W × D)	90 × 90 × 24 mm
认证	CE Zigbee 3.0

部件名称	有害物质					
	铅 (Pb)	汞 (Hg)	镉 (Cd)	六价铬 (Cr(VI))	多溴联苯 (PBB)	多溴二苯醚 (PBDE)
印刷电路组件	X	0	0	0	0	0
塑料	0	0	0	0	0	0
金属	0	0	0	0	0	0
电源适配器	X	0	0	0	0	0

本表格依据 SJ/T11364 的规定编制。

O: 表示该有害物质在该部件所有均质材料中的含量均在 GB/T 26572 规定的限量要求以下。
 X: 表示该有害物质至少在该部件的某一均质材料中的含量超出 GB/T 26572 规定的限量要求。

商标

- Zigbee® 是 Zigbee Alliance 的注册商标。
 - Apple® 和 App Store® 是 Apple Inc. 的品牌名称或注册商标。
 - Android™ 是 Google Inc. 的品牌名称或注册商标。
 - Wi-Fi® 是 Wi-Fi Alliance® 的注册商标。
 - Wiser™ 是施耐德电气及其子公司和所属机构的注册商标和财产。
- 所有其他商标和注册商标均为其各自所有者的财产。

施耐德电气(中国)有限公司

北京市朝阳区望京东路六号A座
 客户支持热线: 400 810 1315

se.com/contact

