

# Lighting control of a public building

“I want to perform simple and reliable group control for LED lighting luminaires”



## Customer case

As a Specifier, Sofia needs to build a simple, robust and cost effective architecture to control a group of LED lighting luminaires of an administrative public building.

## Our recommendation

Acti9 iCT 3P+N contactor with desynchronized Neutral Pole technology is designed to:

- control a group of single phase loads such as LED lighting luminaires,
- help extend operational lifespan and protect loads from neutral break issues,
- allow plug and play connectivity.

Schneider Electric Acti9 iCT 3P+N Contactor offer equipped with same advantages as Acti9 iCT:

- simplicity,
- flexibility,
- reliability,
- compatibility with all Acti9 iCT auxiliaries.

## Benefits

### Design phase

- Answer to basic control needs: control of a group of LED lighting luminaires.
- Improve robustness of the architecture with desynchronized neutral pole technology, compliant with EN/IEC 61095.
- Propose an answer to new connectivity needs: energy management, alarming, real time monitoring.

### Installation phase

- Feature same design and features as all Acti9 iCT contactor range.
- Optimize wiring time with specific comb busbar.

### Operation and Maintenance phase

- Improve reliability: reduce failure or damage risk of the loads with reinforced neutral pole technology:
  - the neutral pole closes before the phases and opens after them.

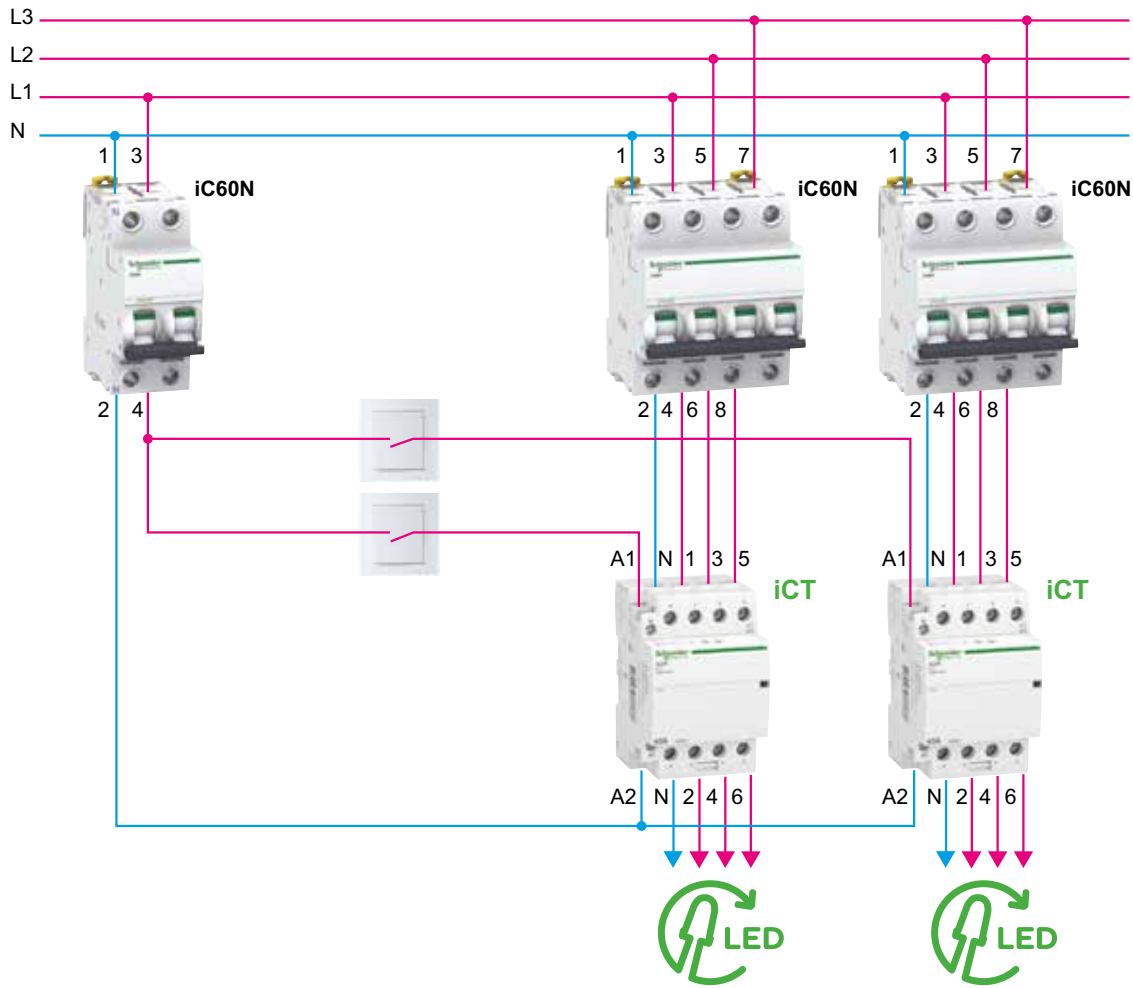
se.com

Life Is On

**Schneider**  
Electric

# Solution

## Diagram



## Specifications

- A single switch must be able to switching on/off all the floor's lighting.
- The contactor controlling the lighting circuits must have a desynchronized neutral pole.

### Products used

Product	Function	Quantity	Reference
Acti9 iCT 3P+N 40 A	Contactor	2	A9C24740
Acti9 iC60N 1P+N 10 A C curve	MCB	1	Depend on country
Acti9 iC60N 3P+N 40 A C curve	MCB	2	Depend on country

More about  
iCT 3P+N



Scan or click on  
QR code

se.com

Life Is On

Schneider  
Electric

Schneider Electric Industries SAS  
35, rue Joseph Monier - CS 30323  
F92506 Rueil-Malmaison Cedex

Document Number CA9SS090E ©2019 Schneider Electric. All Rights Reserved.  
Life Is On Schneider Electric is a trademark and the property of Schneider Electric SE, its subsidiaries and affiliated companies