

# Lighting management for a university

iATLc+c, the auxiliary centralized control module  
for impulse relays

iATLc+c



## Customer needs

There is a need to achieve savings on lighting consumption for a university building of several stories.

Each room will be lit or extinguished separately.

Manual extinguishing shall be feasible for each story.

The building will be switched off automatically when the university is closed.

The lighting in one room can be switched on again during the period when the building is closed. It will remain switched on until the next extinguishing order sent by the time switch.

## Users / customer benefits

- **ease of installation:** the centralized function incorporated in the impulse relay can reduce the space requirement in the switchboard,
- **simple automatic control solution:** the IHP+ 1c programmable time switch has a user-friendly interface, an impulse control mode and a large number of possible switching operations.

## Proposed solution

### iATLc+c, the auxiliary centralized control module for impulse relays

The use of an iTLc impulse relay ensures control of a lighting circuit via dedicated push buttons for each classroom.

It also makes it possible to receive a lighting extinguishing control order for the story.

**One iATLc+c auxiliary** for each story allows extinguishing of all the building's lighting.

The IHP+ 1c ensures automatic extinguishing of the entire building by impulse control.



University

## Preferred application

- office buildings,
- educational institutions, etc.

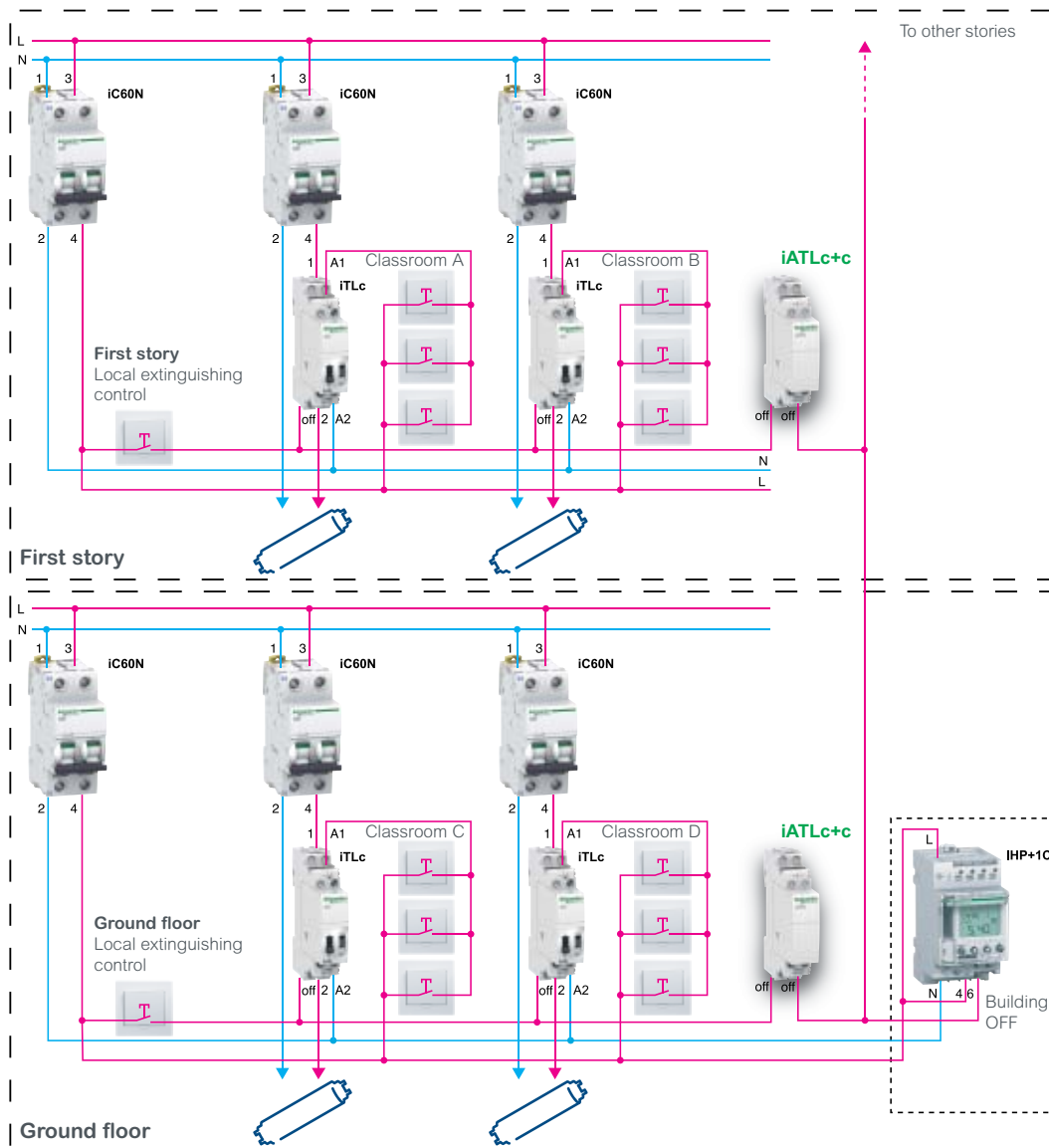
Area control + time programming = energy savings + flexibility of use

## Specifications

The solution must be optimized in terms of space requirements, with no programming requiring special skills.

An automatic impulse control order for overall extinguishing must be generated when the building is closed and then repeated every half-hour.

## Solution diagram



## Products used

Product	Description	Unity	Cat. no.
iC60N	C2 A 1P+N circuit breaker	2	-
iC60N	C10 A 1P+N circuit breaker	4	-
iATLc+c	Multiple-level centralized control auxiliary	2	A9C15410
iTLc	16 A centralized-control impulse relay	1	A9C33811
IHP+ 1c	Programmable time switch	2	CCT15851

35, rue Joseph Monier - CS 30323  
F-92506 Rueil-Malmaison - FRANCE

Document Number CA9SS018E © 2016 Schneider Electric. All rights reserved.

Life Is On

**Schneider**  
Electric