



# Renovation of the lighting for a Town Council

Energy optimization and ease of use



## Customer case

In order to optimize the existing lighting of a Town Council, the engineering department wants to upgrade the installation, while keeping the local controls in place.

They also want to have a centralized control, located by the Town Council's reception desk, allowing all the offices, the Council meeting room and the reception to be extinguished in a single action.

## Benefits

- **Energy optimization and protection:** the lighting for each area can be activated and deactivated locally by the users and also centrally at the reception desk: no more light-on after working hours.
- **Ease of connection:** thanks to its integral centralized control function, the iTLc impulse relay allows savings of wiring and space. The total width is still 18 mm. The iATLc centralized control auxiliary is compatible with the standard iTL impulse relay to upgrade the existing installations (iATLc + iTL is equivalent to iTLc).

## Our recommendation

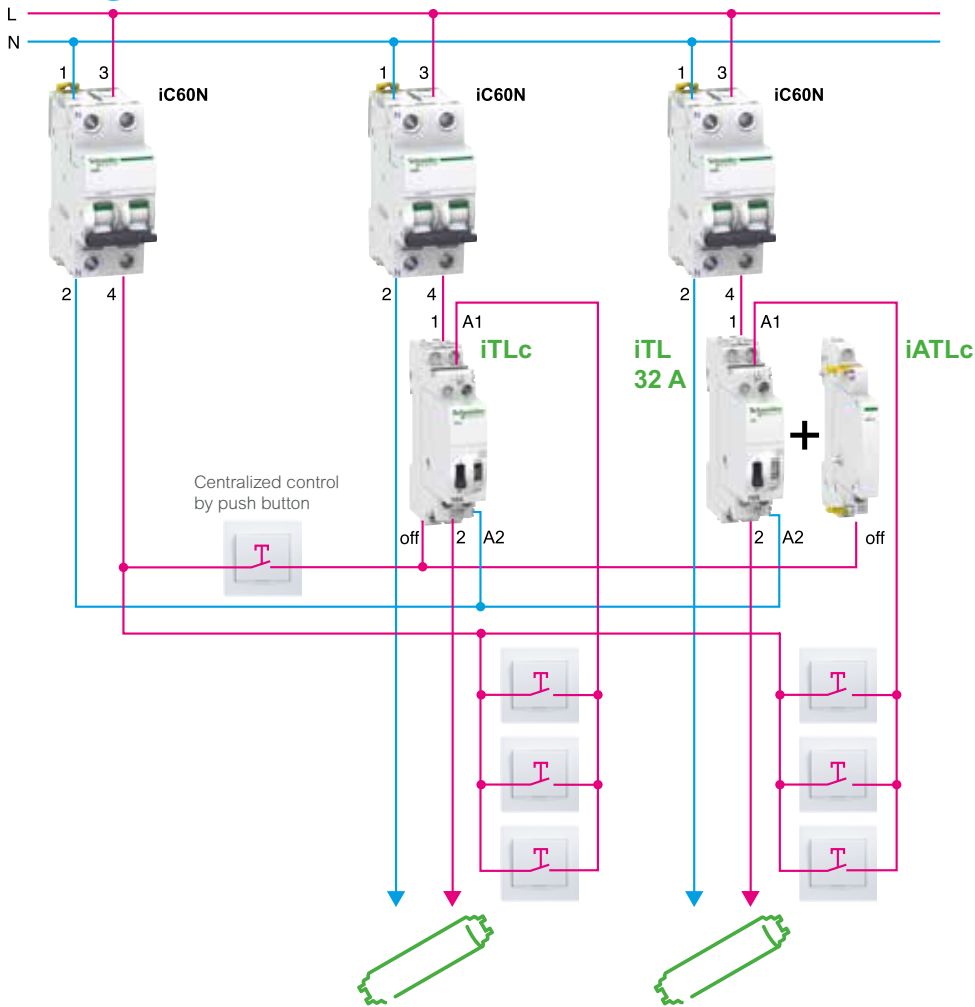
For each office an Acti9 iTLc will be used for lighting control via push buttons.  
In addition, for the lighting control in the lobby and meeting rooms, for reasons of installed capacity, a 32 A impulse relay combined with an Acti9 iATLc remote control auxiliary is necessary.  
The Acti9 iTLc and Acti9 iATLc allow centralized control via a push button installed by the reception desk which switches-off all the building's lighting.

se.com



"This document has no contractual value and Schneider Electric cannot be held liable for its content".

# Solution Diagram



## Specifications

- A single push button must be able to extinguish all the building's lighting.
- The space for the solution including the "centralized control" function must be compatible with the available space in the existing switchboard.

### Products used

Product	Function	Quantity	Reference
Acti9 iC60N	MCB 1P+N	1	Depend on rating
Acti9 iC60N	MCB 1P+N	2	Depend on rating
Acti9 iTL	32 A impulse relay	1	A9C30831
Acti9 iATLc	Centralized control auxiliary	1	A9C15404
Acti9 iTLc	Centralized-control impulse relay	1	A9C33811

More about  
Acti9 iATLc



Scan or click on  
QR code

se.com

Life Is On

**Schneider**  
Electric

Schneider Electric Industries SAS  
35, rue Joseph Monier - CS 30323  
F92506 Rueil-Malmaison Cedex

Document Number CA9SS010E ©2019 Schneider Electric. All Rights Reserved.  
Life Is On Schneider Electric is a trademark and the property of Schneider Electric SE, its subsidiaries and affiliated companies