

# Lighting management for a solicitor's office

iATLc+s, centralized control

iTL + iATLc+s



## Customer needs

**Energy savings, safety:** the lighting for each area can be switched on or off locally by office workers.

The receptionist can switch all the lighting areas on (or off) from a central control, to prevent any waste of energy if users have forgotten to switch off the light.

Signaling of the lighting status is necessary for the reception desk (indicator lit if one of the offices is illuminated).

## Users / customer benefits

- **energy savings:** centralized remote control allows all the office and meeting room lights to be extinguished and prevents leaving the lighting on in rooms when closing the solicitor's office,
- **comfort:** an indicator lamp can indicate that an office or meeting room is lit. Local push buttons actuate impulse relays individually for each lighting circuit.

## Proposed solution

### iATLc+s, centralized control

The combination of **iATLc+s auxiliaries** for iTL impulse relays allows both local control of each office, centralized control, and signaling of the lighting status.

Centralized control is provided by ON/OFF push buttons, remote from all the offices to be managed.

Signaling is achieved by mounting in series the auxiliary signaling contact of each impulse relay.



Solicitor's office

## Preferred application

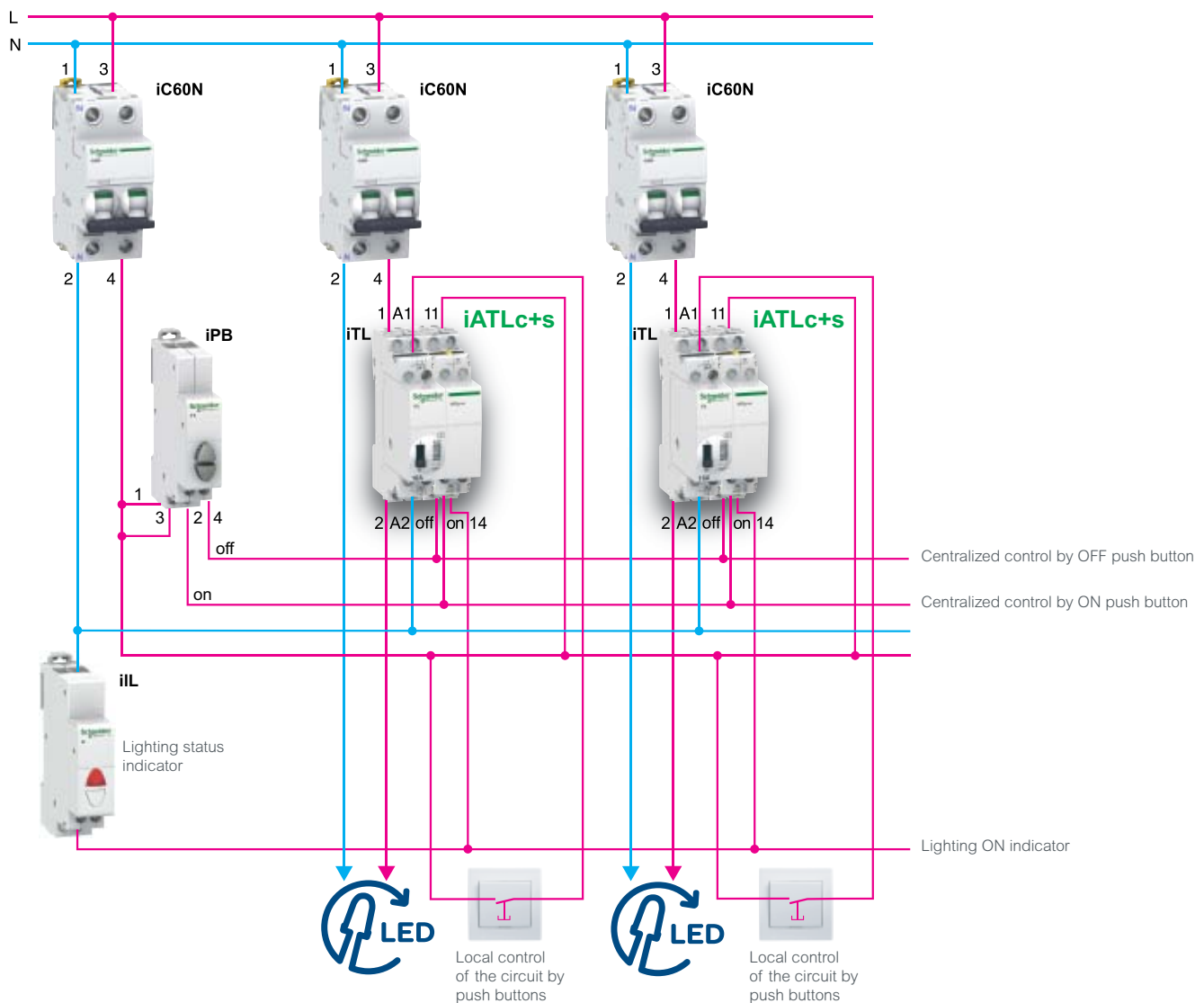
- offices,
- educational institutions,
- hotels,
- etc.

Impulse remote control + central control = energy savings + ease of use

## Specifications

Each lighting circuit is actuated by local push buttons and via common switch-on and switch-off orders by push buttons located at the reception level where a review of the situation is provided by a status indicator.

## Solution diagram



## Products used

Product	Description	Unity	Cat. no.
iC60N	C2 A 1P+N circuit breaker	1	-
iC60N	C10 A 1P+N circuit breaker	2	-
iTL	Impulse relay	2	A9C30811
iATLc+s	Centralized control + signaling	2	A9C15409
iIL	Indicator lamp	1	A9E18320
iPB	Double push button	1	A9E18035

35, rue Joseph Monier - CS 30323  
F-92506 Rueil-Malmaison - FRANCE

Document Number CA9SS009E © 2016 Schneider Electric. All rights reserved.

Life Is On

**Schneider**  
Electric