

# Lighting management for a house

iTLc



Impulse remote centralized control  
Improve energy efficiency & user comfort

## Customer case

The lighting system must be able to be turned on locally by the residents, and it must be possible to switch off all the lighting areas by means of a centralized control in a single action, to ensure extinguishing of the whole house.

For practical reasons, all the lighting areas can also be switched on in a single action.

## Benefits

- **Energy savings:** centralized control allows extinguishing of all the rooms in the house to prevent leaving rooms lit when there are no residents.
- **Comfort:** all the rooms in the house can also be switched on in a single action.
- **Ease of installation:** the small size (18 mm) of the Acti9 iTLc is equivalent to that of a simple impulse relay.

## Our recommendation

The use of Acti9 iTLc impulse relays allows both local control of each room and centralized control of the whole house.

The centralized control is provided by ON/OFF push buttons, remotely from every rooms to be managed.

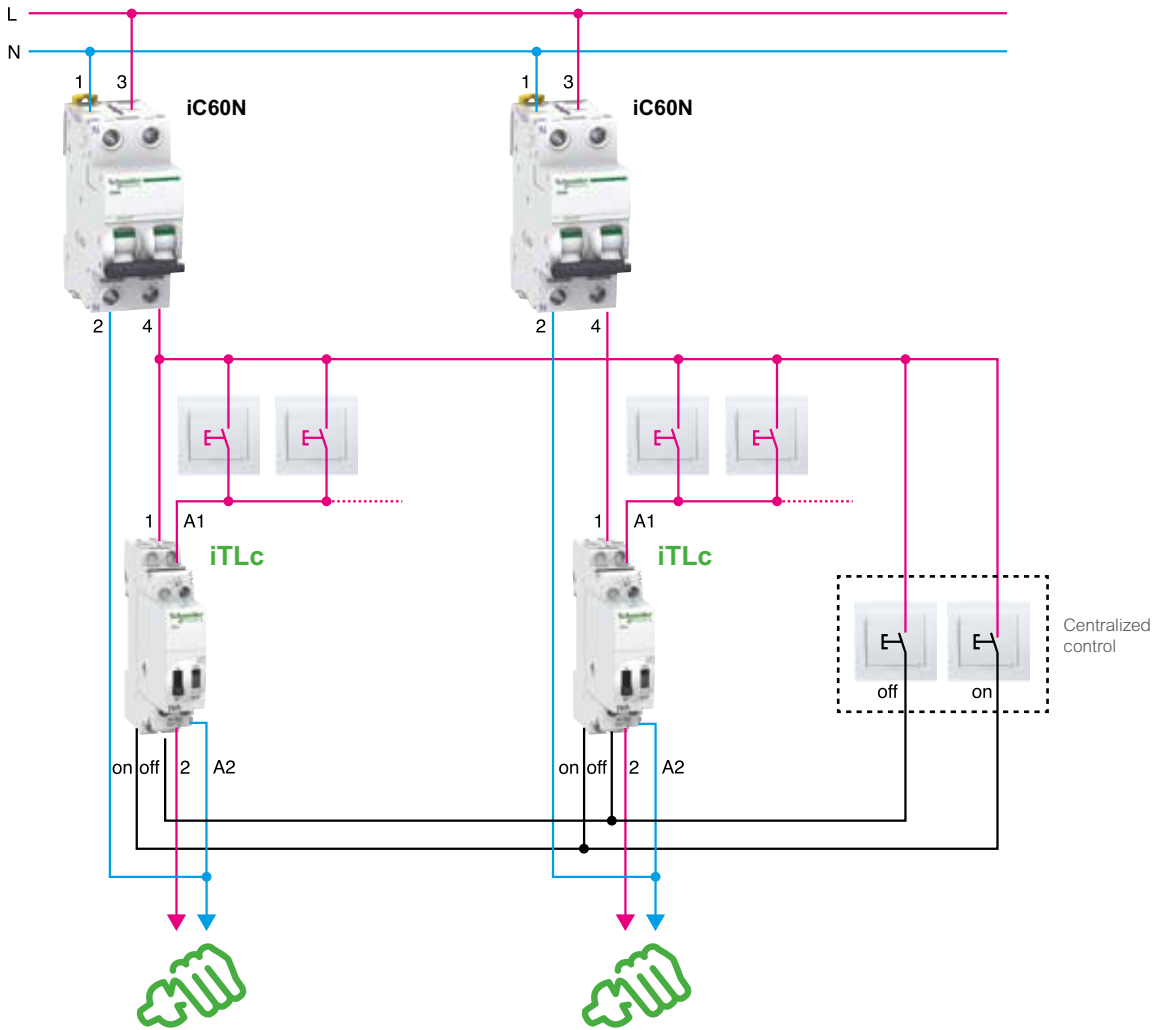
se.com

Life Is On

Schneider  
Electric

# Solution

## Diagram



## Specifications

- Each lighting circuit is controlled locally via push buttons.
- All the lighting in the house is switched On and Off via a single push button.

### Products used

Product	Function	Quantity	Reference
Acti9 iC60N	MCB 1P+N	2	Depend on rating
Acti9 iTLc	Centralized-control impulse relay	2	A9C33811

More about  
Acti9 iTLc



Scan or click on  
QR code

se.com

Life Is On

**Schneider**  
Electric

Schneider Electric Industries SAS  
35, rue Joseph Monier - CS 30323  
F92506 Rueil-Malmaison Cedex

Document Number CA9SS008E ©2019 Schneider Electric. All Rights Reserved.  
Life Is On Schneider Electric is a trademark and the property of Schneider Electric SE, its subsidiaries and affiliated companies