

Lighting management for a house

iTLc, the impulse relay

iTLc



Customer needs

The lighting system must be able to be turned on locally, by the residents.

It must be possible to switch off all the lighting areas by means of a centralized control in a single action, to ensure extinguishing of the whole house.

For practical reasons, all the lighting areas can also be switched on in a single action.

Users / customer benefits

- **energy savings:** centralized control allows extinguishing of all the rooms in the house to prevent leaving rooms lit when there are no residents,
- **comfort:** all the rooms in the house can also be switched on in a single action,
- **ease of installation:** the small size (18 mm) of the iTLc is equivalent to that of a simple impulse relay.

Proposed solution

iTLc, the impulse relay

The use of iTLc impulse relays allows both local control of each room and centralized control of the whole house.

Centralized control is provided by ON/OFF push buttons, remote from all the rooms to be managed.



House

Preferred application

- housing,
- offices,
- etc.

Impulse remote control + central control = energy savings + user comfort

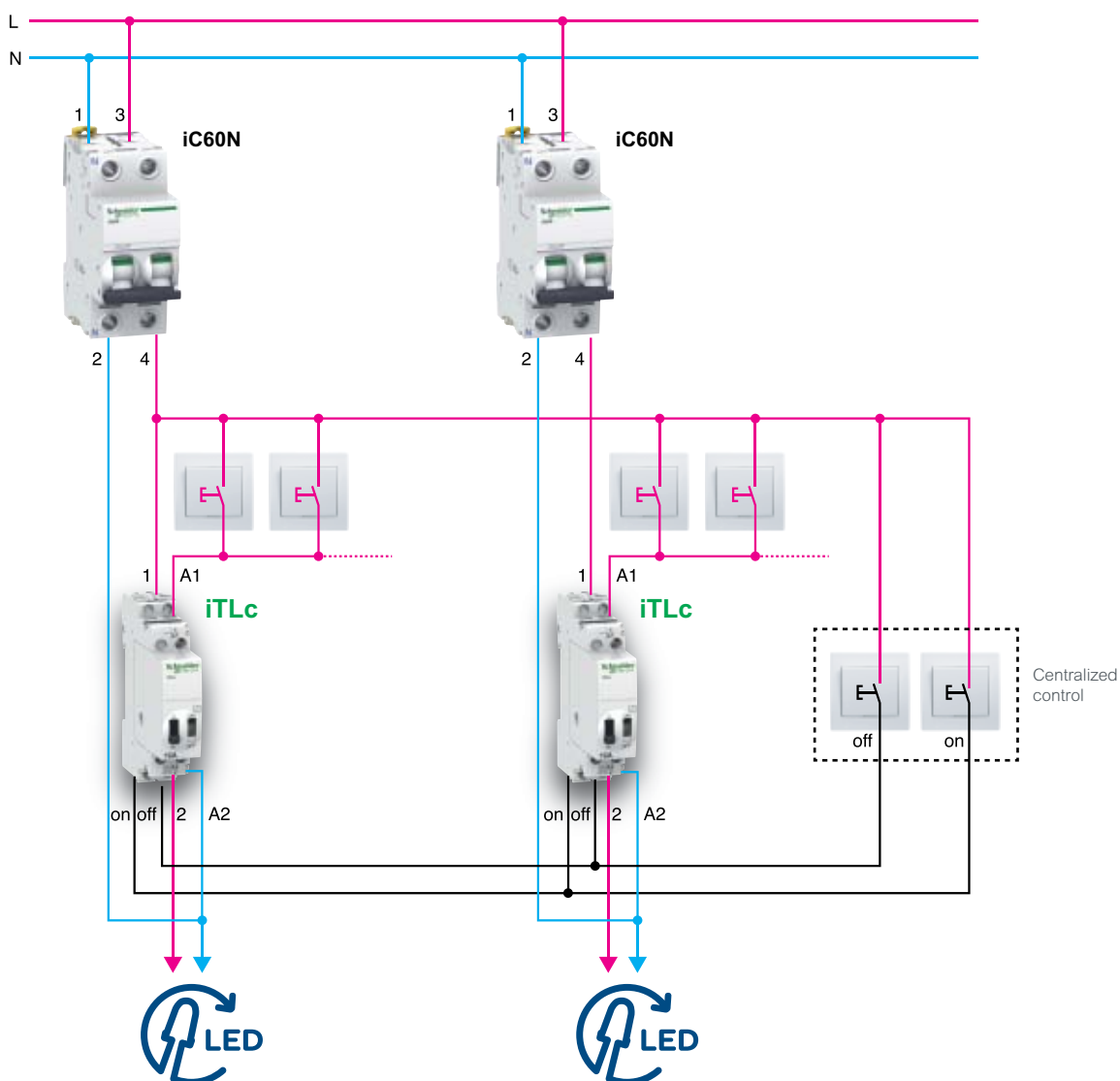
Specifications

Each lighting circuit is controlled locally via push buttons.

All the lighting in the house is switched on via a single push button.

All the lighting in the house is switched off via a single push button.

Solution diagram



Products used

Product	Description	Unity	Cat. no.
iC60N	1P+N C16 circuit breaker	2	-
iTLC	Centralized-control impulse relay	2	A9C33811

35, rue Joseph Monier - CS 30323
F-92506 Rueil-Malmaison - FRANCE

Document Number CA9SS008E © 2016 Schneider Electric. All rights reserved.

Life Is On

Schneider
Electric