



Lighting management for a car park of a large tertiary site

Control lighting duration



Customer case

The facility manager of a large tertiary site wants to automate the lighting system of the outdoor car park according to the time and position of the sun, without connecting a light sensor.

For cost saving reasons, after a certain time, only one lamp post out of two should remain lit.

He needs the lighting system to be programmed to operate only on working days.

He also wants the possibility to remotely override control of the lighting if necessary for maintenance operations.

Our recommendation

The use of the Acti9 IC Astro 2C - SMART astronomical twilight switch allows:

- car park lighting according to the sun position without any sensor to wire,
- the control of 2 independent lighting circuits,
- the programming of lighting days and times,
- the possibility of override control of the lighting via a simple push button.

Benefits

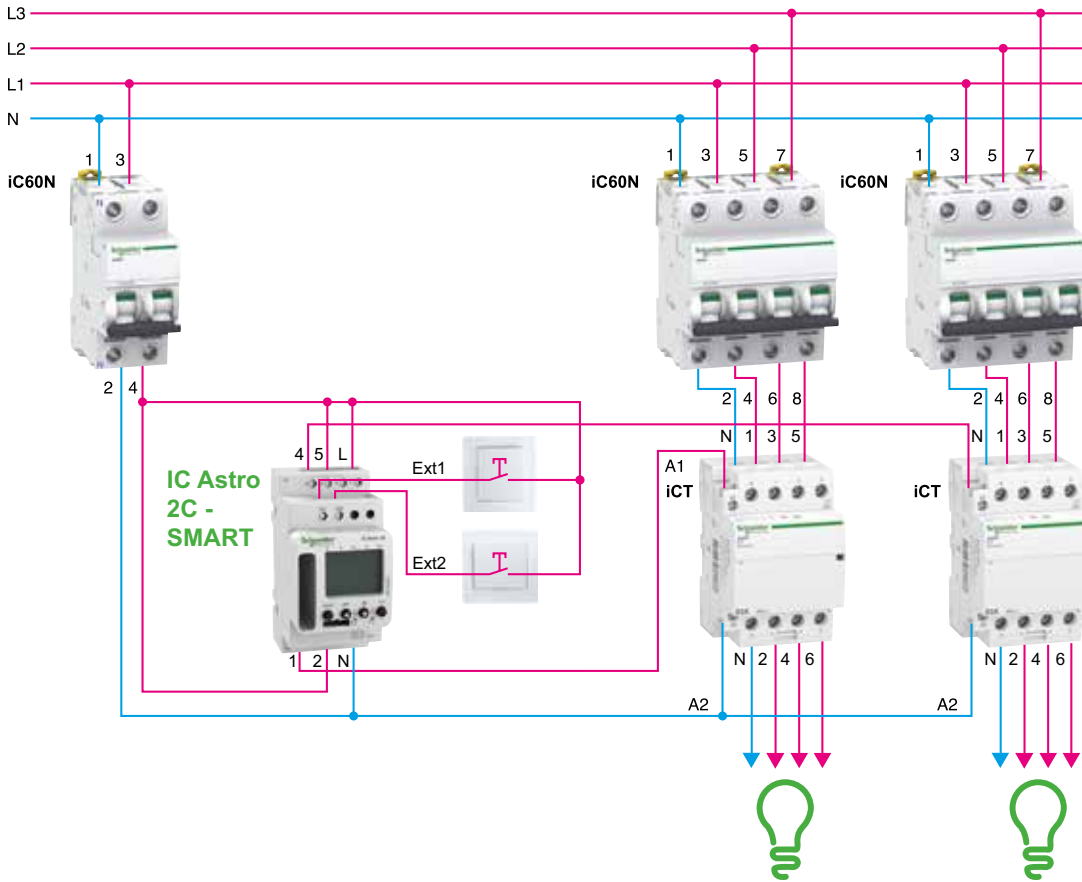
- No need for a brightness detector, so greater operating reliability and easier maintenance and installation.
- The liquid crystal display permanently shows: hour and minutes, day of the week, current operating mode and current program.
- Manual override of temporary or permanent On and Off status is possible.
- The change to summer / winter time is automatic.
- Easy to program via PC KIT LTS software.

se.com

Life Is On

Schneider
Electric

Solution Diagram



Specifications

- The programmable twilight switch is configured only according to the place of installation either by selection of a country or town or by its geographical coordinates, latitude and longitude.
- Programming shall be done with software for PC.

More about
IC ASTRO 2C -SMART



Scan or click on
QR code

Products used			
Product	Function	Quantity	Reference
Acti9 iC60N	MCB 1P+N	1	Depend on rating
Acti9 iC60N	MCB 3P+N	2	Depend on rating
Acti9 IC Astro 2C - SMART	Programmable twilight switch with 2 output contacts	1	CCT15245
Acti9 iCT	63 A 3P+N contactor	2	A9C24763

se.com

Life Is On

Schneider
Electric

Schneider Electric Industries SAS
35, rue Joseph Monier - CS 30323
F92506 Rueil-Malmaison Cedex

Document Number CA9SS006E ©2019 Schneider Electric. All Rights Reserved.
Life Is On Schneider Electric is a trademark and the property of Schneider Electric SE, its subsidiaries and affiliated companies