

# Lighting for a storage warehouse

iTLm, the impulse relay

iTLm



iTL



iATLm



## Customer needs

- Lighting control must be ensured by a simple switch.
- Obtain feedback on the lighting circuit state (ON or OFF).
- The lighting power may be significant depending on the case.

## Users / customer benefits

- reduced consumption and heating in the switchboard: use of the impulse relay avoids permanent consumption by the coil of a contactor,
- simplified control: the latched-control impulse relay makes it possible to use a simple switch,
- lighting override control: the controls on the front panel of the product can be used to switch the lighting on or off by override control for specific needs.

## Proposed solution

### iTLm, the impulse relay

The latched-control impulse relay iTLm is a bistable relay that can be controlled by means of a changeover switch.

The iTLm opens or closes its contact according to the application of a voltage to the ON or OFF terminal. The voltage can be applied via a changeover contact of a simple switch, a time switch, etc.



Storage warehouse

## Preferred application

- educational institutions,
- hotels,
- industry,
- infrastructure, etc.

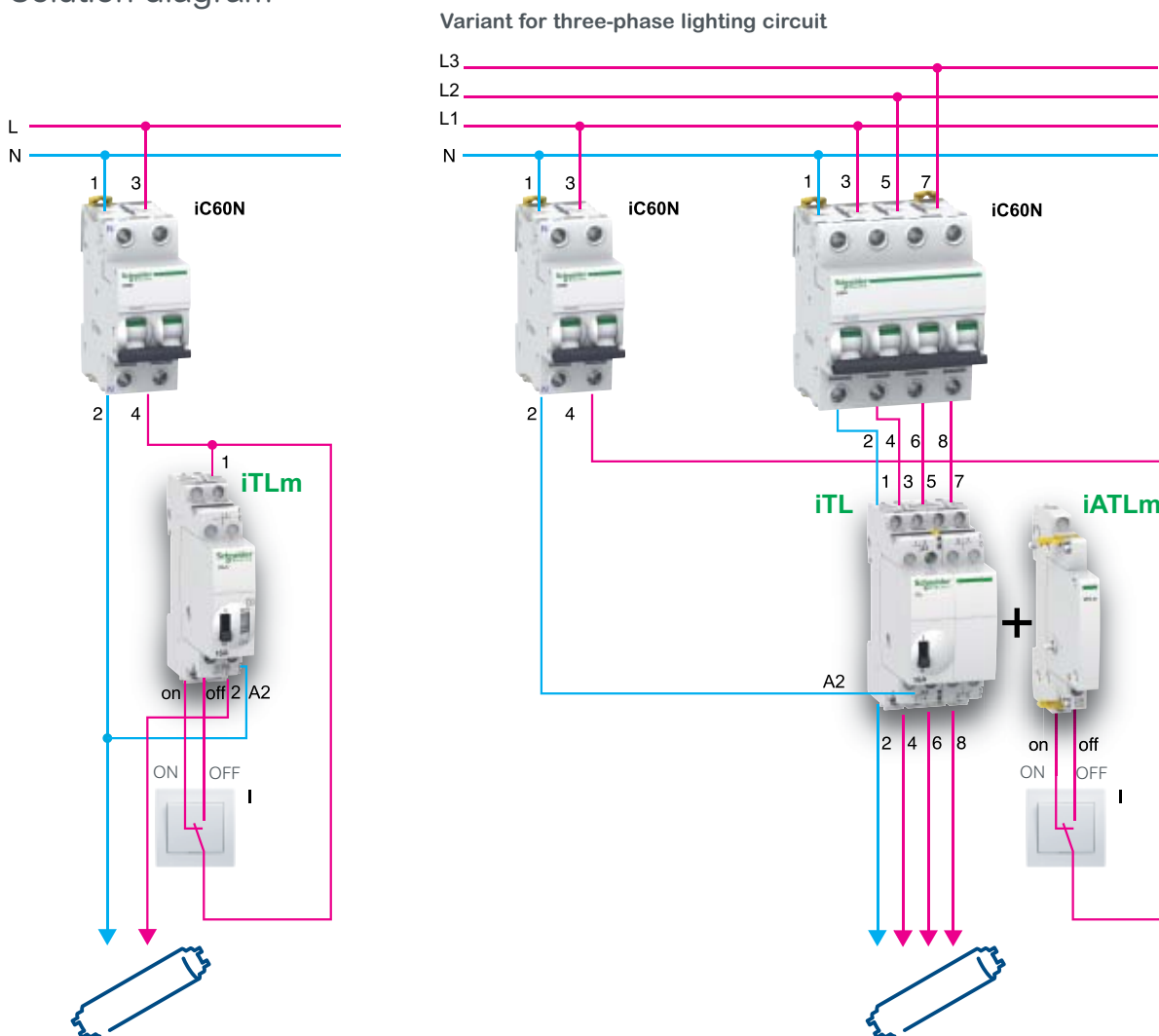
Impulse remote control + switch = visibility of lighting status

## Specifications

The lighting system for an area is activated by an impulse relay controlled by a simple two-position switch.

Lighting remote control must be able to be inhibited easily.

## Solution diagram



## Products used

Product	Description	Unity	Cat. no.
iC60N	Communication interface	1	-
iTLm	Remote control with Ti 24 interface	1	A9C34811
<b>Variant for three-phase circuit</b>			
iC60N	1P+N C2 A circuit breaker	1	-
iC60N	3P+N C16 A circuit breaker	1	-
iTL	4P impulse relay	1	A9C30814
iATLm	Impulse relay auxiliary with latched function	1	A9C15414

35, rue Joseph Monier - CS 30323  
F-92506 Rueil-Malmaison - FRANCE

Document Number CA9SS003E © 2016 Schneider Electric. All rights reserved.

Life Is On

**Schneider**  
Electric