

Thank you for choosing **Schneider Electric Vivace E** series products. To ensure proper application of our product, Please read through the following information before installation and use.

**This application guide applies to the following products.**

(Notes: suffix\_WE/WG/DG.....G1/G3/G11\*etc. mean the colors and sales areas)

Catalogue	
Socket & Switched Socket	Switch
Connection Unit	Dimmer
Hotel Accessories	Keycard Switch
Multi gang	Night foot
Universal Shaver Socket	USB Socket
Tel/Data/TV Outlet/ Panic Button	Door Chime
USB مقبس	مقبس
Schuko Socket	Stopkontak Schuko

Thank you for choosing **Schneider Electric Vivace E** series products. To ensure proper application of our product, Please read through the following information before installation and use.

**This application guide applies to the following products.**

(Notes: suffix\_WE/WG/DG.....G1/G3/G11\*etc. mean the colors and sales areas)

Cat. No.	Description
KBN15*	13A 250V 1 Gang Switched Socket
KBNT25*	13A 250V 2 Gang Switched Socket
KBN15_15*	15A 250V 1 Gang 3 Round Pin Switched Socket
KBN15_IS*	13A 1 Gang Switched International Socket
KBNT25_IS*	13A 2 Gang Switched International Socket
KBN426UEST*	16A 250V 1 Gang 3 Pin Universal Socket
KBNT426UEST*	16A 250V 2 Gang 3 Pin Universal Socket
KBN15SO*	Socket, Vivace E, 13A, 250V, 1 gang
KBN15DP*	Switched socket, Vivace E, 13A, 250V, 1 gang, with indicator
KBN15DPN*	Switched socket, Vivace E, 13A, 250V, 1 gang, with indicator
KBNT25SO*	Socket, Vivace E, 13A, 250V, 2 gangs
KBNT25DP*	Switched socket, Vivace E, 13A, 250V, 2 gangs, with indicator
KBNT25DPN*	Switched socket, Vivace E, 13A, 250V, 2 gangs, with indicator
KBN31D45NCU*	Cooker control unit, Vivace, with switched socket, 45A, 13A, 250V

**SPECIFICATIONS**

Rated Voltage	: 250V~
Mounting center	: 60.3mm
Rated Current	: Refer to product marking
Wall box	: Comply with BS 4662, minimum depth 35mm

**⚠ WARNING**

**ELECTRIC SHOCK, EXPLOSION OR ARCING HAZARD**

- This product must be installed by qualified electricians.
- This product should only be used in accordance with this specification and under the appropriate circumstance, Please check your local wiring regulations before installation.
- The power must be disconnected before installation, maintenance or replacement.
- Make sure the product is installed completely and safely before turning on the power.
- Avoid any foreign objects ingress into USB charger such as small metal wires, paper clips, liquids, etc.
- To avoid touching the pins of the plug while plug-in or plug-out.

**Failure to follow this instruction may result in death or serious injury.**

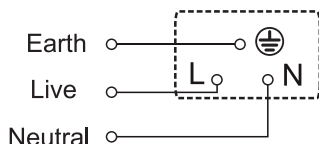
**CAUTION**

**RISK OF DAMAGE DEVICE**

- Please install with standard wall box to ensure the product to be used properly
- Please keep the front cover safe in order to prevent damages before and during installation.
- Ensure the power supply is turned off when cleaning the product. Use a piece of soft and dry cloth to wipe off the dirt and contamination on the surface. Do NOT use corrosive chemicals.
- Shield / mask the product before renovation to avoid contamination and degradation.
- Indoor use only.

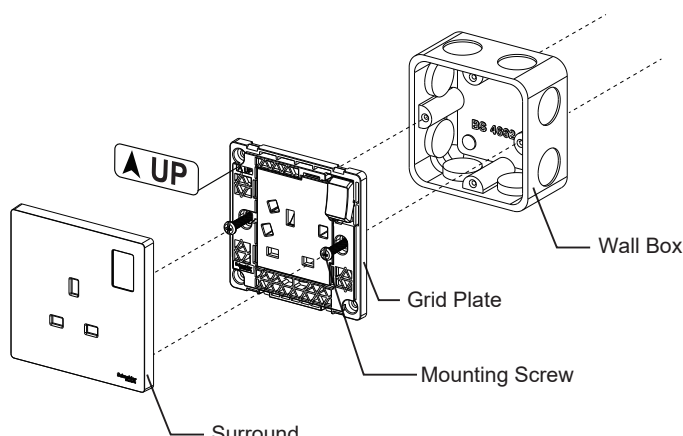
**Failure to follow this instruction may result in damage to the device.**

**WIRING DIAGRAMS**

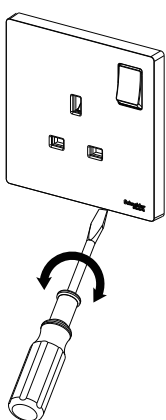


**MOUNTING INSTRUCTION**

- ① Remove the surround.
- ② Insert the wires into the terminals and tighten the terminal screws.
- ③ Fix the grid plate onto the wall box with mounting screw.
- ④ Reattach the surround.



\* Cover remove instruction



Thank you for choosing **Schneider Electric Vivace E** series products. To ensure proper application of our product, Please read through the following information before installation and use.

**This application guide applies to the following products.**

(Notes: suffix\_ WE/WG/DG.....G1/G3/G11\*etc. mean the colors and sales areas)

Cat. No.	Description
KBN31_1*	10AX 250V 1 Gang 1 WAY Switch
KBN31_2*	10AX 250V 1 Gang 2 Way Switch
KBN32_1*	10AX 250V 2 Gang 1 Way Switch
KBN32_2*	10AX 250V 2 Gang 2 Way Switch
KBN33_1*	10AX 250V 3 Gang 1 Way Switch
KBN33_2*	10AX 250V 3 Gang 2 Way Switch
KBN34_1*	10AX 250V 4 Gang 1 Way Switch
KBN34_2*	10AX 250V 4 Gang 2 Way Switch
KBN3116_1*	16AX 250V 1 Gang 1 Way Switch
KBN3116_2*	16AX 250V 1 Gang 2 Way Switch
KBN3216_1*	16AX 250V 2 Gang 1 Way Switch
KBN3216_2*	16AX 250V 2 Gang 2 Way Switch
KBN3316_1*	16AX 250V 3 Gang 1 Way Switch
KBN3316_2*	16AX 250V 3 Gang 2 Way Switch
KBN3416_1*	16AX 250V 4 Gang 1 Way Switch
KBN3416_2*	16AX 250V 4 Gang 2 Way Switch
KBN31D20N*	20A 250V 1 Gang 1 Way Double Pole Switch with LED
KBN31D20N_2*	20A 250V 1 Gang 2 Way Double Pole Switch with LED
KBN32D20N*	20A 250V 2 Gang 1 Way Double Pole Switch with LED
KBN31D32N*	32A 250V 1 Gang Double Pole Switch with LED
KBN31D45N*	45A 250V 1 Gang Double Pole Switch with LED
KBN31IM*	10AX 250V 1 Gang Intermediate Switch
KBN32IM*	10AX 250V 2 Gang Intermediate Switch
KBN31PR*	10A 250V 1 Gang Momentary Switch
KBN32PR*	10A 250V 2 Gang Momentary Switch
KBN33PR*	10A 250V 3 Gang Momentary Switch
KBN31BP*	10A 250V 1 Gang Bell Press Switch
KBN31DEP*	10A 250V 1 Gang Door Exit Press Switch

**SPECIFICATIONS**

Rated Voltage	: 250V~
Mounting center	: 60.3mm
Rated Current	: Refer to product marking
Self ballasted lamp(SBL) Load	: 100W 10AX 200W 16AX 250W 20A

**⚠ WARNING**

**ELECTRIC SHOCK, EXPLOSION OR ARCING HAZARD**

- This product must be installed by qualified electricians.
- This product should only be used in accordance with this specification and under the appropriate circumstance, Please check your local wiring regulations before installation.
- The power must be disconnected before installation, maintenance or replacement.
- Make sure the product is installed completely and safely before turning on the power.
- Avoid any foreign objects ingress into USB charger such as small metal wires, paper clips, liquids, etc.

**Failure to follow this instruction may result in death or serious injury.**

**CAUTION**

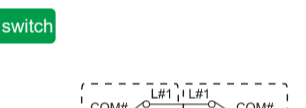
**RISK OF DAMAGE DEVICE**

- Please install with standard wall box to ensure the product to be used properly
- Please keep the front cover safe in order to prevent damages before and during installation.
- Ensure the power supply is turned off when cleaning the product. Use a piece of soft and dry cloth to wipe off the dirt and contamination on the surface. Do NOT use corrosive chemicals.
- Shield / mask the product before renovation to avoid contamination and degradation.
- Indoor use only.
- Door Chime used should have in-build safety feature (example: Thermal Fuse).

**Failure to follow this instruction may result in damage to the device.**

**WIRING DIAGRAMS**

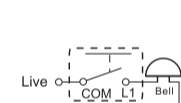
**1G/2G/3G/4G 1Way switch**



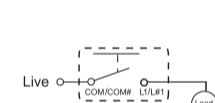
**1G/2G/3G/4G 2Way switch**



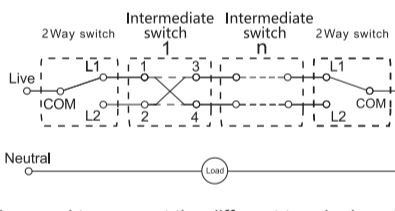
**Door Chime & Bell Press & Exit Press**



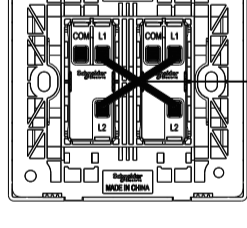
**Momentary switch**



**Intermediate switch**

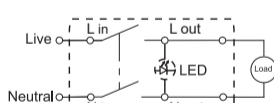


Note: The cables used to connect the different terminals outside the module are not allowed to be removed, otherwise the function of the product will be

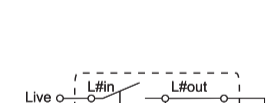


**Not allowed to be removed**

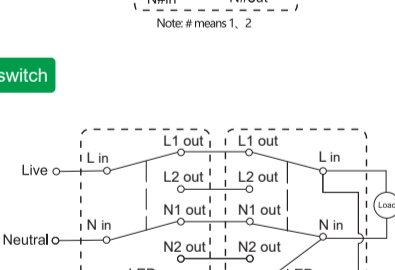
**1G 20A / 32A / 45A 1Way switch**



**2G 20A 1Way switch**

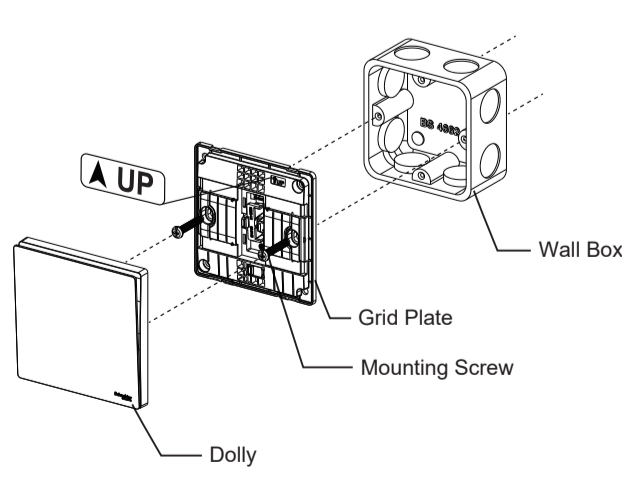


**1G 20A 2Way switch**

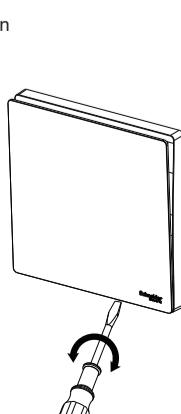


**MOUNTING INSTRUCTION**

- ① Remove the blister cover and dolly.
- ② Insert the wires into the terminals and tightenthe terminal screws.
- ③ Fix the grid plate onto the wall box with mounting screw.
- ④ Reattach the dolly.



\* Cover remove instruction



Thank you for choosing **Schneider Electric Vivace E** series products. To ensure proper application of our product, Please read through the following information before installation and use.

**This application guide applies to the following products.**

(Notes: suffix\_WE/WG/DG.....G1/G3/G11\*etc. mean the colors and sales areas)

Cat. No.	Description
KBN31TB*	25A 250V 1 Gang Connection Unit
KBN31FSG*	13A 250V Fused Connection Unit with LED
KBN31554*	45A 250V 1 Gang Connection Unit
KBN31IPTB*	25A 250V IP25 Connection Unit with LED
KBN31DFSGN*	Fuse connection unit, Vivace E, 13A, 250V, 1 gang, 2 pole, with indicator

### SPECIFICATIONS

Rated Voltage	: 250V~
Mounting center	: 60.3mm
Rated Current	: Refer to product marking
Wall box	: Comply with BS 4662, minimum depth 35mm

## ⚠ WARNING

### ELECTRIC SHOCK, EXPLOSION OR ARCING HAZARD

- This product must be installed by qualified electricians.
- This product should only be used in accordance with this specification and under the appropriate circumstance, Please check your local wiring regulations before installation.
- The power must be disconnected before installation, maintenance or replacement.
- Make sure the product is installed completely and safely before turning on the power.
- Avoid any foreign objects ingress into USB charger such as small metal wires, paper clips, liquids, etc.

**Failure to follow this instruction may result in death or serious injury.**

## CAUTION

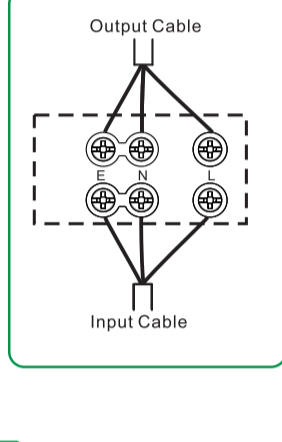
### RISK OF DAMAGE DEVICE

- Please install with standard wall box to ensure the product to be used properly
- Please keep the front cover safe in order to prevent damages before and during installation.
- Ensure the power supply is turned off when cleaning the product. Use a piece of soft and dry cloth to wipe off the dirt and contamination on the surface. Do NOT use corrosive chemicals.
- Shield / mask the product before renovation to avoid contamination and degradation.
- Indoor use only.

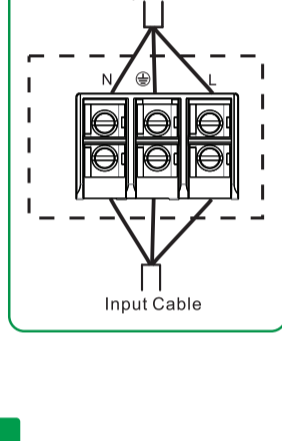
**Failure to follow this instruction may result in damage to the device.**

### WIRING DIAGRAMS

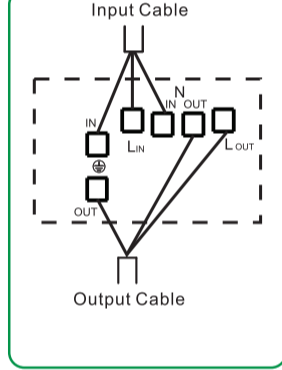
#### KBN31TB\*



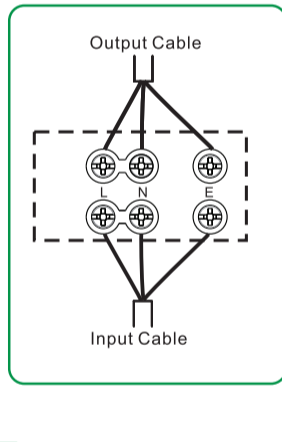
#### KBN31554\*



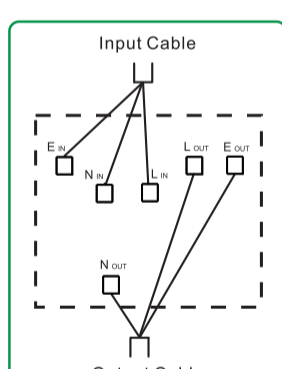
#### KBN31FSG\*



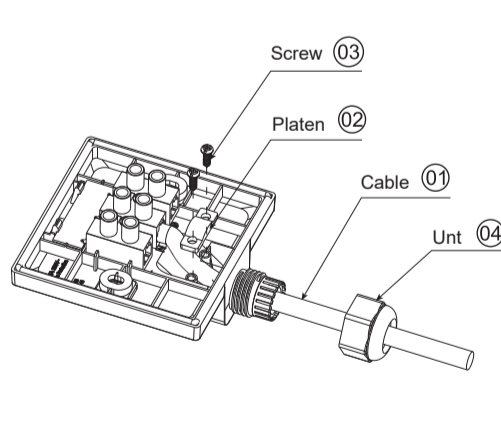
#### KBN31IPTB\*



#### KBN31DFSGN\*



Wiring method according to the serial number in the figure below.

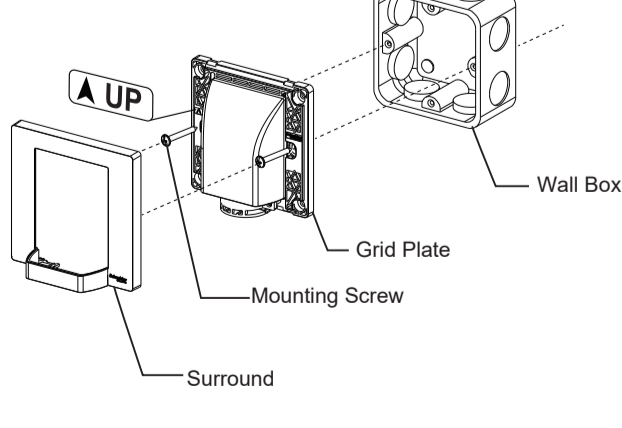


Note: Cord anchorage shall be able to accept solid or stranded cable as below.

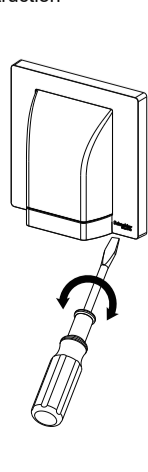
Capacity	3x1.5~2.5mm <sup>2</sup>
----------	--------------------------

### MOUNTING INSTRUCTION

- ① Remove the surround.
- ② Insert the wires into the terminals and tighten the terminal screws.
- ③ Fix the grid plate onto the wall box with mounting screw.
- ④ Reattach the surround.



\* Cover remove instruction



Thank you for choosing **Schneider Electric Vivace E** series products. To ensure proper application of our product, Please read through the following information before installation and use.

**This application guide applies to the following products.**

(Notes: suffix\_WE/WG/DG.....G1/G3/G11\*etc. mean the colors and sales areas)

Cat. No.	Description
KBN31RD250U*	DIMMER Switch

### SPECIFICATIONS

Rated Voltage	: 220-240 V~ 50/60 Hz
Mounting centre	: 60.3mm
Range of loading	: Incandescent lamp 25-250W, Low voltage halogen lamp with dimmable electronic transformer: 50-250W
Dimmable LED	: 3~100W
Operation temperature	: -5~40°C

## ⚠ WARNING

### ELECTRIC SHOCK, EXPLOSION OR ARCING HAZARD

- This product must be installed by qualified electricians.
- This product should only be used in accordance with this specification and under the appropriate circumstance, Please check your local wiring regulations before installation.
- The power must be disconnected before installation, maintenance or replacement.
- Make sure the product is installed completely (product considered incomplete if any cover is removed) and safely before turning on the power.
- Avoid any foreign objects go into product such as small metal wires, paper clips, liquids, etc.

**Failure to follow this instruction may result in death or serious injury.**

## CAUTION

### RISK OF DAMAGE DEVICE

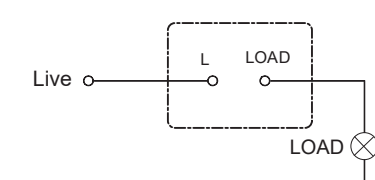
- Please install the product with standard wall box which complies with BS4662 standards and ensure the product to be used properly.
- Please keep the front cover safe in order to prevent damages before and during installation.
- Ensure the power supply is turned off when cleaning the product. Use a piece of soft and dry cloth to wipe off the dirt and contamination on the surface. Do NOT use corrosive chemicals.
- It is recommended to cover the product before decoration to prevent dust, dirt or damage.
- For indoor use only.
- Please connect a 6A miniature circuit breaker (Type C trip type) the requirements of IEC60669-2-1 standard.
- When connecting few LED lamps, it is recommended to use lamps of the same brand and model, and the total loading should not exceed the rated value.
- This product adopts a Triac Leading-edge dimming technology. When a dimmable LED lamp is connected, flickering or unstable brightness occur, please use the compatible dimmable LED lamps in the "Recommended Loading List" for a better solution.
- It is not recommended to connect with different type of lamps together such as capacitive and inductive loads.
- In the case of a mixed load (combination of resistive and inductive loads, or resistive and capacitive loads) on one channel, the resistive load should not exceed 30 % of the total connected load on this channel.

**Failure to follow this instruction may result in damage to the device.**

### Recommended Loading List

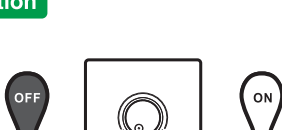
L	Brand	Wattage	Connection Type	Model
1	PHILIPS	4.9W	GU10	9290013490 420lm 4000K 220-240V 50/60Hz
2	PHILIPS	4W	E14	9290011398B 250lm 2200-2700K 220-240V 50/60Hz
3	PHILIPS	6W	E14	9290011404B 420lm 2200-2700K 220-240V 50/60Hz
4	MEGAMAN	11W	E27	LG0911dv2/E27 11W 2800K 220-240V 50/60Hz 68mA
5	PHILIPS	3W	E14	3E14B35-E 3W 2700K 220-240V 50/60Hz 21mA
6	OSRAM	3.5W	E27	AB45756 3.5W 250lm 2700K 220-240V 50/60Hz 20mA

### WIRING DIAGRAMS



### WIRING DIAGRAMS

#### Normal operation



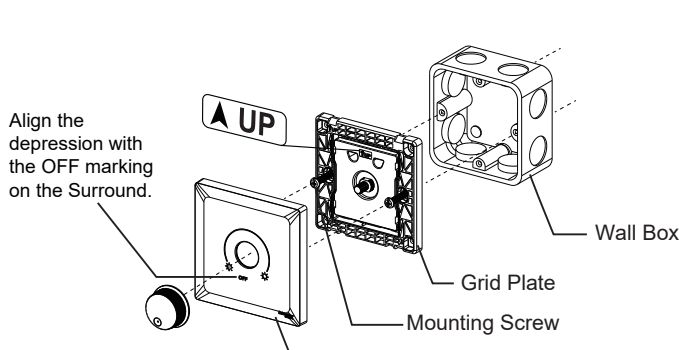
Lamp ON/OFF shift : Rotary Knob

Dimming up : clockwise

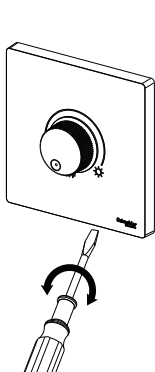
Dimming down : anti-clockwise

### MOUNTING INSTRUCTION

- ① Remove the surround.
- ② Insert the wires into the terminals and tightenthe terminal screws.
- ③ Fix the grid plate onto the wall box with mounting screw.
- ④ Reattach the surround.



\* Cover remove instruction



Thank you for choosing **Schneider Electric Vivace E** series products. To ensure proper application of our product, Please read through the following information before installation and use.

**This application guide applies to the following products.**

(Notes: suffix\_WE/WG/DG.....G1/G3/G11\*etc. mean the colors and sales areas)

Cat. No.	Description
KBN31BPDM*	DND, PCU Indicator w Bell Switch
KBN32CF*	10A Mechanical Curtain Switch with LED
KBN32DMS*	16AX 2 Gang Switch with PCU, DND symbol

**SPECIFICATIONS**

Rated Voltage	: 250V~
Mounting center	: 60.3mm
Rated Current	: Refer to product marking

**⚠ WARNING**

**ELECTRIC SHOCK, EXPLOSION OR ARCING HAZARD**

- This product must be installed by qualified electricians.
- This product should only be used in accordance with this specification and under the appropriate circumstance, Please check your local wiring regulations before installation.
- The power must be disconnected before installation, maintenance or replacement.
- Make sure the product is installed completely and safely before turning on the power.
- Avoid any foreign objects ingress into USB charger such as small metal wires, paper clips, liquids, etc.

**Failure to follow this instruction may result in death or serious injury.**

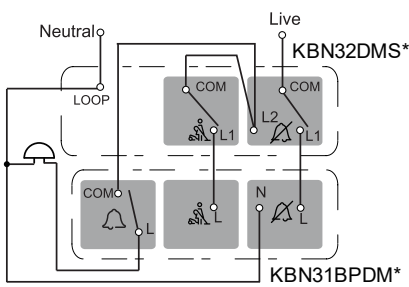
**CAUTION**

**RISK OF DAMAGE DEVICE**

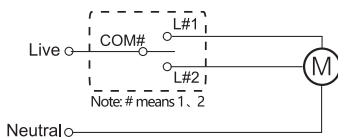
- Please install with standard wall box to ensure the product to be used properly
- Please keep the front cover safe in order to prevent damages before and during installation.
- Ensure the power supply is turned off when cleaning the product. Use a piece of soft and dry cloth to wipe off the dirt and contamination on the surface. Do NOT use corrosive chemicals.
- Shield / mask the product before renovation to avoid contamination and degradation.
- Indoor use only.

**Failure to follow this instruction may result in damage to the device.**

**WIRING DIAGRAMS**

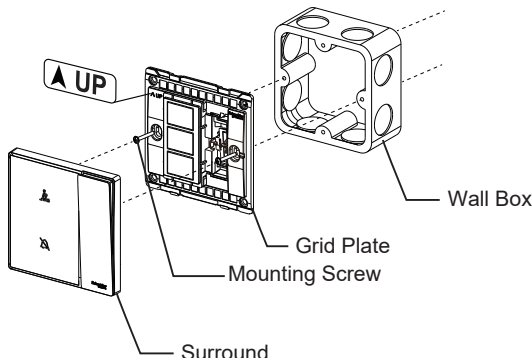


**KBN32CF\***

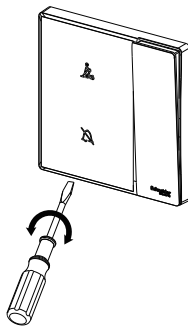


**MOUNTING INSTRUCTION**

- ① Remove the surround.
- ② Insert the wires into the terminals and tighten the terminal screws.
- ③ Fix the grid plate onto the wall box with mounting screw.
- ④ Reattach the surround.



\* Cover remove instruction



Thank you for choosing **Schneider Electric Vivace E** series products. To ensure proper application of our product, Please read through the following information before installation and use.

**This application guide applies to the following products.**

(Notes: suffix \_WE/WG/DG.....G1/G3/G11\*etc. mean the colors and sales areas)

Cat. No.	Description
KBN31EKT*	16A Electronic Key Card Switch

**SPECIFICATIONS**

Rated Voltage	: 250V~,50/60Hz
Mounting center	: 60.3mm
Rated Current	: 16A
RFID	: 13.56MHz (recommendation MIFARE Classic card)

**⚠ WARNING**

**ELECTRIC SHOCK, EXPLOSION OR ARCING HAZARD**

- This product must be installed by qualified electricians.
- This product should only be used in accordance with this specification and under the appropriate circumstance, Please check your local wiring regulations before installation.
- The power must be disconnected before installation, maintenance or replacement.
- Make sure the product is installed completely and safely before turning on the power.
- Avoid any foreign objects ingress into USB charger such as small metal wires, paper clips, liquids, etc.

**Failure to follow this instruction may result in death or serious injury.**

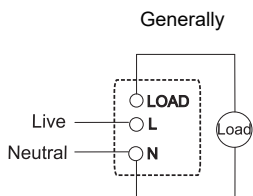
**CAUTION**

**RISK OF DAMAGE DEVICE**

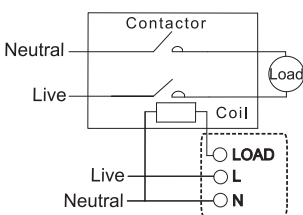
- Please install with standard wall box to ensure the product to be used properly
- Please keep the front cover safe in order to prevent damages before and during installation.
- Ensure the power supply is turned off when cleaning the product. Use a piece of soft and dry cloth to wipe off the dirt and contamination on the surface. Do NOT use corrosive chemicals.
- Shield / mask the product before renovation to avoid contamination and degradation.
- Indoor use only.

**Failure to follow this instruction may result in damage to the device.**

**WIRING DIAGRAMS**

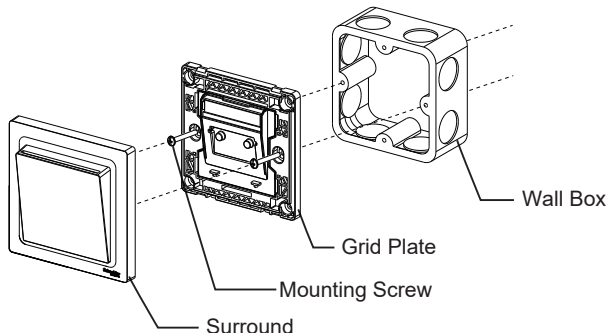


Application for connect contactor

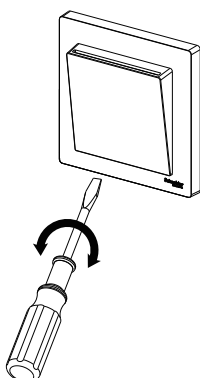


**MOUNTING INSTRUCTION**

- ① Remove the surround.
- ② Insert the wires into the terminals and tightenthe terminal screws.
- ③ Fix the grid plate onto the wall box with mounting screw.
- ④ Reattach the surround.



\* Cover remove instruction



Thank you for choosing **Schneider Electric Vivace E** series products. To ensure proper application of our product, Please read through the following information before installation and use.

**This application guide applies to the following products.**

(Notes: suffix \_WE/WG/DG.....G1/G3/G11\*etc. mean the colors and sales areas)

Cat. No.	Description
KBNP_30X*	1 Gang Blank Plate
KBNP_21*	2 Gang Surround
KBNP_31*	3 Gang Surround
KBNP_41*	4 Gang Surround
KBNP_51*	5 Gang Surround
KBNP_30L*	Threading Plate
KBNP_32X*	Blank plate, Vivace E, 2 gangs

### SPECIFICATIONS

The center between two modular: 86.3mm

## ⚠ WARNING

### ELECTRIC SHOCK, EXPLOSION OR ARCING HAZARD

- This product must be installed by qualified electricians.
- This product should only be used in accordance with this specification and under the appropriate circumstance, Please check your local wiring regulations before installation.
- The power must be disconnected before installation, maintenance or replacement.
- Make sure the product is installed completely and safely before turning on the power.
- Keep a safe distance between low voltage cables and high voltage cables.

**Failure to follow this instruction may result in death or serious injury.**

## CAUTION

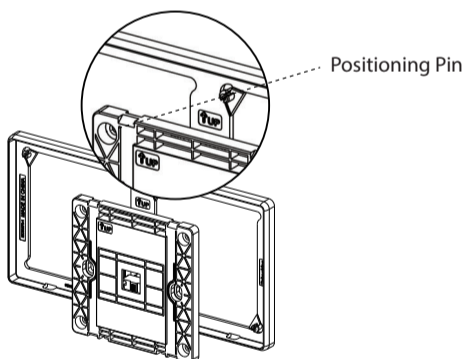
### RISK OF DAMAGE DEVICE

- Please install with standard wall box to ensure the product to be used properly
- Please keep the front cover safe in order to prevent damages before and during installation.
- Ensure the power supply is turned off when cleaning the product. Use a piece of soft and dry cloth to wipe off the dirt and contamination on the surface. Do NOT use corrosive chemicals.
- Shield / mask the product before renovation to avoid contamination and degradation.
- Indoor use only
- Avoid any foreign objects ingress into USB charger such as small metal wires, paper clips, liquids, etc.
- When making a product combination, the requirements of a single product must be met.

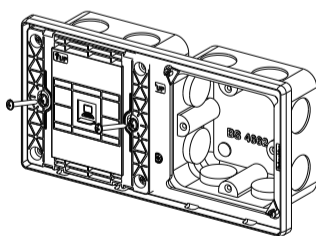
**Failure to follow this instruction may result in damage to the device.**

### MOUNTING INSTRUCTION

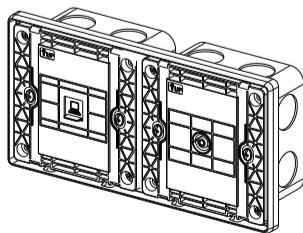
- ① Fix one product into Multi-gang.



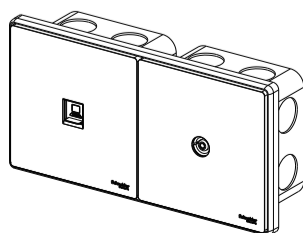
- ② Install the product with Multi-gang together into wallbox.



- ③ Install other product into wallbox.



- ④ Install cover into product.



Thank you for choosing **Schneider Electric Vivace E** series products. To ensure proper application of our product, Please read through the following information before installation and use.

**This application guide applies to the following products.**

(Notes: suffix\_WE/WG/DG.....G1/G3/G11\*etc. mean the colors and sales areas)

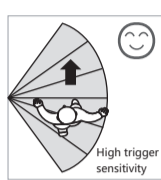
Cat. No.	Description
KBNPFLIR*	Night foot lamp with PIR sensor

**SPECIFICATIONS**

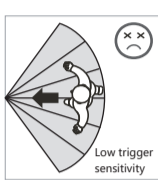
Rated input	: 220-240V~, 50/60Hz
Rated power	: 1.5W
Input current	: 55mA
Light source power	: 0.1W (4x0.025W/pc)
Power factor	: 0.08
Mounting center	: 60.3mm
Delay time	: 60±5s (During this period can be triggered continuously)
Trigger illuminance	: 5-20Lux
Operating temperature	: 35°C Max
Sensing distance	: 4m±2m

**DEVICES APPLICATION GUIDE**

- The product will automatically light up when it is powered on for the first time, and few seconds later the product will light off and enter to standby mode.
- The sensitivity of the product varies according to the direction of movement, as shown in Figure (1) and Figure (2).



(1)



(2)

**⚠ WARNING**

**ELECTRIC SHOCK, EXPLOSION OR ARCING HAZARD ⚠**

- This product must be installed by qualified electricians.
- This product should only be used in accordance with this specification and under the appropriate circumstance. Please check your local wiring regulations and read the instruction before installation.
- The power must be disconnected before installation, maintenance or replacement.
- Make sure the product is installed completely and safety before turning on the power.
- This product contains a light source which should not be replaced by user. The light source in this product shall be supplied by the manufacturer or to be replaced by a service agent or a competent person.
- This permanently connected equipment does not contain internal disconnected device, a readily accessible disconnected device should be provided externally.

**Failure to follow this instruction may result in death or serious injury.**

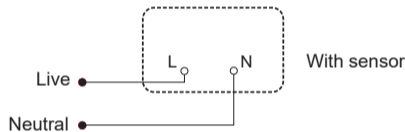
**CAUTION**

**RISK OF DAMAGE DEVICE**

- Please install this product in a British Standard wall box with 2 terminals of 47mm depth.
- Please keep the front cover safe in order to prevent damages before and during installation.
- Ensure to turn off the power supply when cleaning the product. Use a piece of soft and dry cloth to wipe off the dirt and contamination on the surface. Do NOT use corrosive chemicals.
- Please shield / mask the product before renovation to avoid damage or contamination.
- Indoor use only.

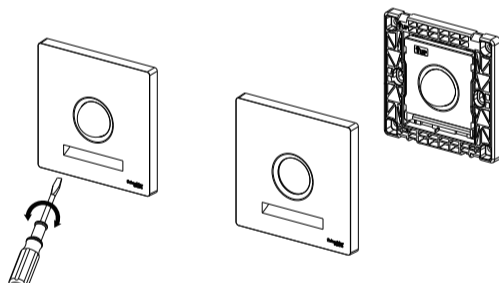
**Failure to follow this instruction may result in damage to the device.**

**WIRING DIAGRAMS**

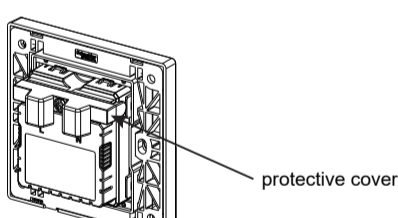


**MOUNTING INSTRUCTION**

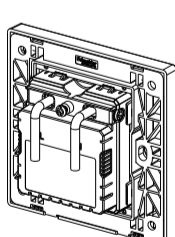
- ① Remove the cover



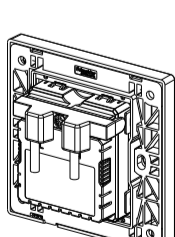
- ② Unscrew the protective light cover and open the cover.



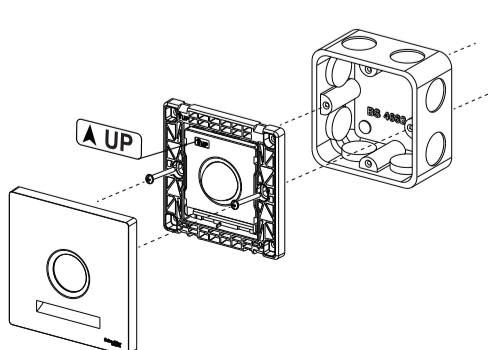
- ③ Connect the wires correctly according to the wiring diagram and arrange the wires.



- ④ Make sure the protective cover snaps and locks with screws.



- ⑤ Fix the grid plate on to the wall box with mounting screw and reattach the dolly cover.



Thank you for choosing **Schneider Electric Vivace E** series products. To ensure proper application of our product, Please read through the following information before installation and use.

**This application guide applies to the following products.**

(Notes: suffix \_WE/WG/DG.....G1/G3/G11\*etc. mean the colors and sales areas)

Cat. No.	Description
E87T727V*	115V/240V UNIVERSAL SHAVER

### SPECIFICATIONS

Rated Voltage	: 250V~ 50/60Hz
Output Voltage	: 115/240V~
Rated Power	: 20AV
Mounting center	: 120mm

## ⚠ WARNING

### ELECTRIC SHOCK, EXPLOSION OR ARCING HAZARD

- This product must be installed by qualified electricians.
- This product should only be used in accordance with this specification and under the appropriate circumstance, Please check your local wiring regulations before installation.
- The power must be disconnected before installation, maintenance or replacement.
- Make sure the product is installed completely and safely before turning on the power.
- Avoid any foreign objects ingress into USB charger such as small metal wires, paper clips, liquids, etc.

**Failure to follow this instruction may result in death or serious injury.**

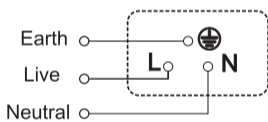
## CAUTION

### RISK OF DAMAGE DEVICE

- Please install with standard wall box to ensure the product to be used properly
- Please keep the front cover safe in order to prevent damages before and during installation.
- Ensure the power supply is turned off when cleaning the product. Use a piece of soft and dry cloth to wipe off the dirt and contamination on the surface. Do NOT use corrosive chemicals.
- Shield / mask the product before renovation to avoid contamination and degradation.
- Indoor use only.

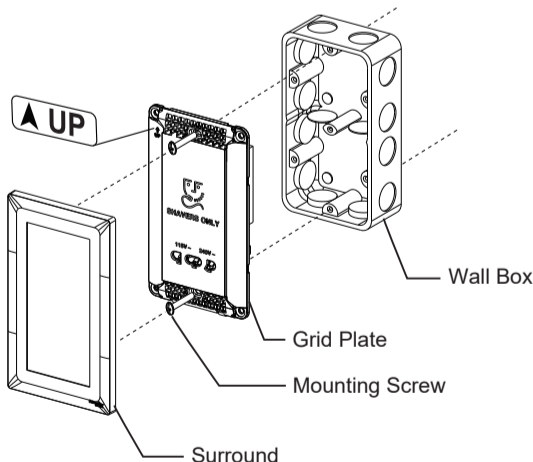
**Failure to follow this instruction may result in damage to the device.**

### WIRING DIAGRAMS



### MOUNTING INSTRUCTION

- ① Remove the surround.
- ② Insert the wires into the terminals and tighten the terminal screws.
- ③ Fix the grid plate onto the wall box with mounting screw.
- ④ Reattach the surround.



\* Cover remove instruction



Thank you for choosing **Schneider Electric Vivace E** series products. To ensure proper application of our product, Please read through the following information before installation and use.

**This application guide applies to the following products.**

(Notes: suffix \_WE/WG/DG.....G1/G3/G11\*etc. mean the colors and sales areas)

Cat. No.	Description
KBN15USB*	13A 1 Gang Switched Socket with USB A+C 2.1A
KBN15USB_IS*	13A 1 Gang Switched International Socket with USB A+C 2.1A
KBNACQUSB*	21W Type A+C, PD+QC3.0 USB Charge
KBNT25USB*	13A 2 Gang Switched Socket with USB A+C 2.1A
KBNT25USB_IS*	13A 2 Gang Switched International Socket with USB A+C 2.1A
KBN15DPUSB*	Switched socket with USB, Vivace E, 13A, 250V, 1 gang, type A+C, 21W
KBNT25DPUSB*	Switched socket with USB, Vivace E, 13A, 250V, 2 gangs, type A+C, 21W

### SPECIFICATIONS

CR No.	KBNACQUSB	KBN15USB* KBN15USB_IS* KBNT25USB* KBNT25USB_IS*	KBN15DPUSB* KBNT25DPUSB*
USB rated input	220-250V AC 50/60Hz 0.5A Max.	220-250V AC 50/60Hz 0.3A Max.	220-250V AC 50/60Hz 0.5A Max.
USB output	Type C: 5V ≐ 3A ; 9V ≐ 2.33A ; 12V ≐ 1.75A ; Type A: 5V ≐ 3A ; 9V ≐ 2A ; 12V ≐ 1.5A Type A+C: 5V ≐ 3.2A (2.4A Max. for each port)	Type C: 5V ≐ 2.1A ; Type A: 5V ≐ 2.1A ; Type A+C: 5V ≐ 2.1A (2.1A Max. for each port)	Type C: 5V ≐ 3A ; 9V ≐ 2.33A ; 12V ≐ 1.75A ; Type A: 5V ≐ 3A ; 9V ≐ 2A ; 12V ≐ 1.5A Type A+C: 5V ≐ 3A (2.4A Max. for each port)
USB Protection	Over heat,output over current, output over voltage,output short circuit		
Socket voltage;current	250V~;13A		
Mounting center	60.3mm	120.6mm	
Operation Temperature	0-35°C		
Wall box	Comply with BS 4662, minimum depth 47mm		

## ⚠ WARNING

### ELECTRIC SHOCK, EXPLOSION OR ARCING HAZARD

- This product must be installed by qualified electricians.
- This product should only be used in accordance with this specification and under the appropriate circumstance, Please check your local wiring regulations before installation.
- The power must be disconnected before installation, maintenance or replacement.
- Make sure the product is installed completely and safely before turning on the power.
- This permanently connected equipment does not contain internal disconnected device, a readily accessible disconnected device should be provided externally.
- The product should be mounted on the surface of concrete or non-flammable materials.
- Avoid any foreign objects ingress into USB charger such as small metal wires, paper clips, liquids, etc.

**Failure to follow this instruction may result in death or serious injury.**

## CAUTION

### RISK OF DAMAGE DEVICE

- This product is only applicable at altitudes below 2000m.
- Please install this product in a British Standard wall box with 2 lugs of 47mm depth.
- Please shield / mask the product before renovation to avoid damage or contamination.
- Please keep the front cover safe in order to prevent damages before and during installation.
- Ensure the power supply is turned off when cleaning the product. Use a piece of soft and dry cloth to wipe off the dirt and contamination on the surface. Do NOT use corrosive chemicals.
- Before charging the product, please ensure the battery of your device is complied with Battery Charging Specification. Do not use multi-adaptors for multiple charging to avoid damaging devices.
- Please check the voltage at the home should not be higher than the rated voltage during installation, otherwise the USB module may be damaged
- The charging time depends on the supported charging protocol, power, battery capacity, charging line quality and other factors decided by the charged device itself.
- Some charging cables integrated with charging facility, connecting this kind of charging cable may trigger the normal charging mode.
- User will feel some heat at the product surface when charging is in progress
- Indoor use only.

**Failure to follow this instruction may result in damage to the device.**

### WIRING DIAGRAMS

#### KBNACQUSB

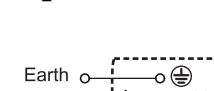


#### KBN15USB

#### KBN15USB\_IS

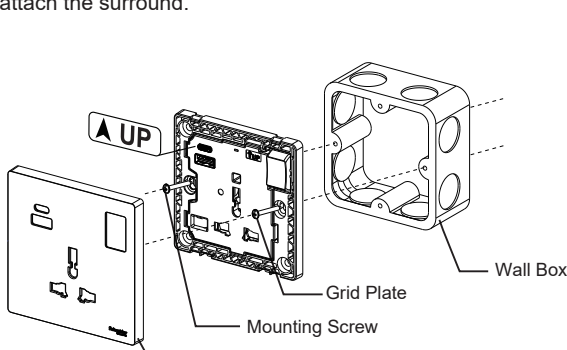
#### KBNT25USB

#### KBNT25USB\_IS



### MOUNTING INSTRUCTION

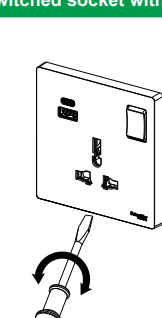
- ① Remove the surround.
- ② Insert the wires into the terminals and tightenthe terminal screws.
- ③ Fix the grid plate onto the wall box with mounting screw.
- ④ Reattach the surround.



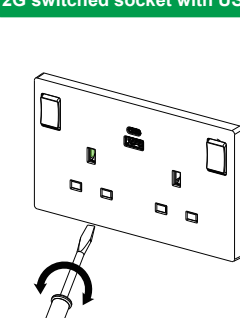
Please slide the button to left for the insulation resistance test. After the test, please slide the button to right for normal use.

\* Cover remove instruction

#### 1G switched socket with USB



#### 2G switched socket with USB



Note: Each terminal shall be able to accept solid or stranded cable as below

Terminal wiring capacity	a)1~4X1.5mm <sup>2</sup> b)1~3X2.5mm <sup>2</sup> c)1X4mm <sup>2</sup>
--------------------------	---

Thank you for choosing **Schneider Electric Vivace E** series products. To ensure proper application of our product, Please read through the following information before installation and use.

**This application guide applies to the following products.**

(Notes: suffix \_WE/WG/DG.....G1/G3/G11\*etc. mean the colors and sales areas)

Cat. No.	Description
KBN31RJ4*	1 Gang Telephone Outlet with Shutter
KBN32RJ4*	2 Gang Telephone Outlet with Shutter
KBN32TDRJ6*	2 Gang Telephone+CAT6 Data Socket with Shutter
KBN31RJ5*	1 Gang CAT5E Data Socket with Shutter
KBN32RJ5*	2 Gang CAT5E with Shutter
KBN31RJ6*	1 Gang CAT6 Data Socket with Shutter
KBN32RJ6*	2 Gang CAT6 Data Socket with Shutter
KBN31TV*	1 Gang TV Socket, 75OHM, Through-CNN
KBN31TVF*	1 Gang Cable TVF Connector
KBN33SMATV*	SMAT TV, FM, F Socket
KBN32TV_TV*	2 Gang TV+TVF Socket
KBN32TV6*	2 Gang TV+CAT6 Data Socket with Shutter
KBN32TVF6*	2 Gang TVF+CAT6 Data Socket with Shutter
KBN33PSMATV*	SMATV Faceplate
KBN31KPB*	PANIC BUTTON with key reset
KBN31RJ6KS*	Data socket, Vivace E, 1 gang, RJ6, Cat6, shuttered
KBN32RJ6KS*	Data socket, Vivace E, 2 gangs, RJ6, Cat6, shuttered

**SPECIFICATIONS**

Mounting center : 60.3mm

**⚠ WARNING**

**ELECTRIC SHOCK, EXPLOSION OR ARCING HAZARD**

- This product must be installed by qualified electricians.
- This product should only be used in accordance with this specification and under the appropriate circumstance, Please check your local wiring regulations before installation.
- The power must be disconnected before installation, maintenance or replacement.
- Make sure the product is installed completely and safely before turning on the power.
- Keep a safe distance between low voltage cables and high voltage cables.

**Failure to follow this instruction may result in death or serious injury.**

**CAUTION**

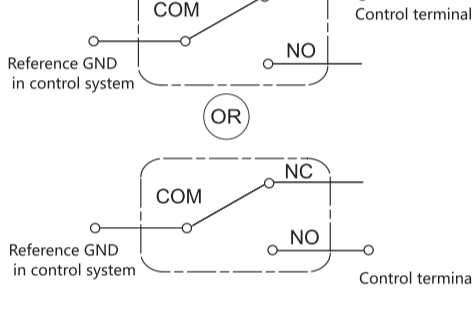
**RISK OF DAMAGE DEVICE**

- Please install with standard wall box to ensure the product to be used properly
- Please keep the front cover safe in order to prevent damages before and during installation.
- Ensure the power supply is turned off when cleaning the product. Use a piece of soft and dry cloth to wipe off the dirt and contamination on the surface. Do NOT use corrosive chemicals.
- Shield / mask the product before renovation to avoid contamination and degradation.
- Indoor use only
- Avoid any foreign objects ingress into USB charger such as small metal wires, paper clips, liquids, etc.

**Failure to follow this instruction may result in damage to the device.**

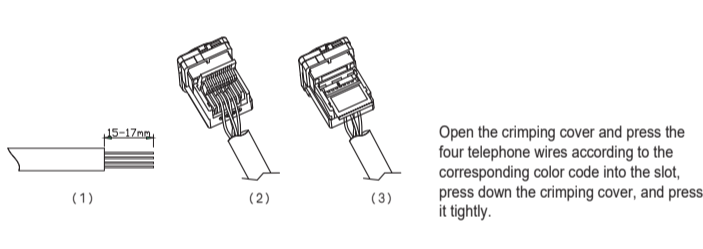
**WIRING DIAGRAMS**

**Panic Button**



**Tel outlet wiring instructions**

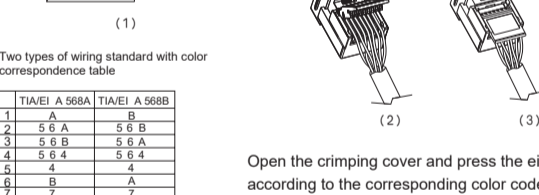
1. The applicable wire diameter is 23-30 AWG
2. Stripping the cable jacket 15-17 mm with a stripping tool, as shown in Figure (1)
3. Spread and fan out the wires according to the selected wiring standard (568A/ 568B).
4. Open the protective cover and insert all 8 wires into corresponding slots as shown in Figure (2) and follow the color sequence as shown in table.
5. Press the protective cover until it snaps into position and secure termination as shown in Figure(3)
6. After completion of wiring, check and maintain the twisted pairs as close to the end of cable not more than 13mm.



Open the crimping cover and press the four telephone wires according to the corresponding color code into the slot, press down the crimping cover, and press it tightly.

**Data outlet wiring instructions**

1. The applicable wire diameter is 23-30 AWG.
2. Stripping the cable jacket 15-17 mm with a stripping tool, as shown in Figure (1)
3. Spread and fan out the wires according to the selected wiring standard (568B).
4. Open the protective cover and insert all 8 wires into corresponding slots as shown in Figure (2) and follow the color sequence as shown in table.
5. Press the protective cover until it snaps into position and secure termination as shown in Figure(3)
6. After completion of wiring, check and maintain the twisted pairs as close to the end of cable not more than 13mm



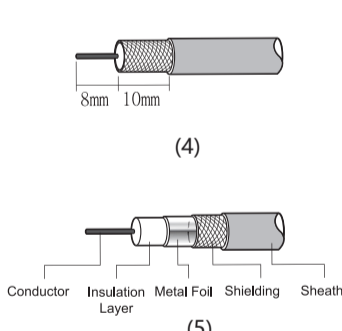
Two types of wiring standard with color correspondence table

	TIA/EI A 568A	TIA/EI A 568B
1	A	B
2	5 6 A	5 6 B
3	5 6 B	5 6 A
4	5 6 4	5 6 4
5	4	4
6	B	A
7	7	7
8	5 6 7	5 6 7

Open the crimping cover and press the eight data wires according to the corresponding color code into the slot, press down the crimping cover, and press it tightly.

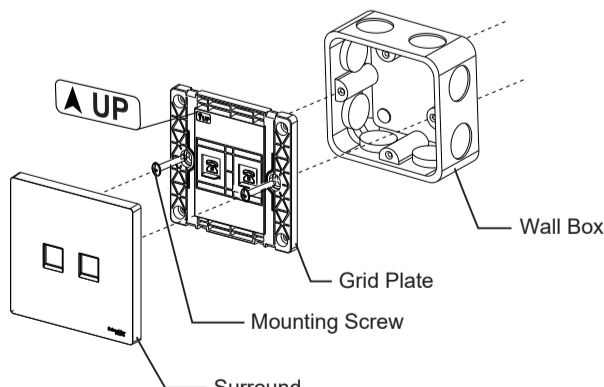
**TV Outlet**

1. Cut off 10mm long outer jacket from the end of the cable (Figure 4);
2. Stripping 8 mm long braiding and copper core insulation, expose copper core (Figure 4 );

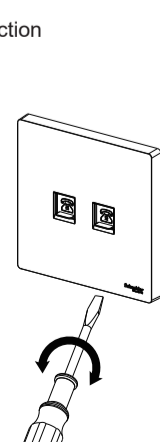


**MOUNTING INSTRUCTION**

- ① Remove the surround.
- ② Insert the wires into the terminals and tighten the terminal screws.
- ③ Fix the grid plate onto the wall box with mounting screw.
- ④ Reattach the surround.



\* Cover remove instruction



Thank you for choosing **Schneider Electric Vivace E** series products. To ensure proper application of our product, Please read through the following information before installation and use.

**This application guide applies to the following products.**

(Notes: suffix \_WE/WG/DG.....G1/G3/G11\*etc. mean the colors and sales areas)

Cat. No.	Description
KBN31DC*	Door Chime

### SPECIFICATIONS

Rated Voltage	: 220-240V~
Frequency Range	: 50/60Hz
Rated Current	: Max 20mA
Mounting center	: 60.3mm

## ⚠ WARNING

### ELECTRIC SHOCK, EXPLOSION OR ARCING HAZARD

- This product must be installed by qualified electricians.
- This product should only be used in accordance with this specification and under the appropriate circumstance, Please check your local wiring regulations before installation.
- The power must be disconnected before installation, maintenance or replacement.
- Make sure the product is installed completely and safely before turning on the power.
- Avoid any foreign objects ingress into Product charger such as small metal wires, paper clips, liquids, etc.
- The product should be mounted on the surface of concrete or non-flammable materials.
- This product needs to be used in conjunction with a doorbell switch. Please refer to the following diagram for the specific wiring method

**Failure to follow this instruction may result in death or serious injury.**

## CAUTION

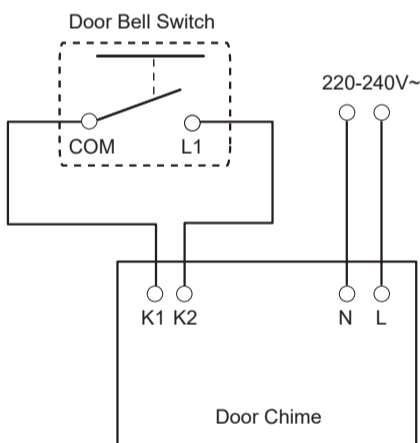
### RISK OF DAMAGE DEVICE

- Please install with standard wall box to ensure the product to be used properly
- Please keep the front cover safe in order to prevent damages before and during installation.
- Ensure the power supply is turned off when cleaning the product. Use a piece of soft and dry cloth to wipe off the dirt and contamination on the surface. Do NOT use corrosive chemicals.
- Shield / mask the product before renovation to avoid contamination and degradation.
- Indoor use only.
- Door Chime used should have in-build safety feature (example: Thermal Fuse).

**Failure to follow this instruction may result in damage to the device.**

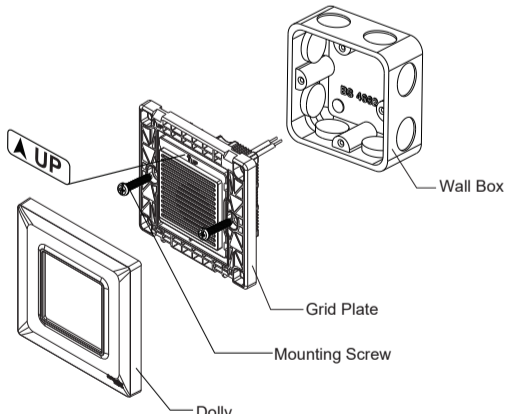
### WIRING DIAGRAMS

\* Door Bell Switch with rated 200-240 Vac

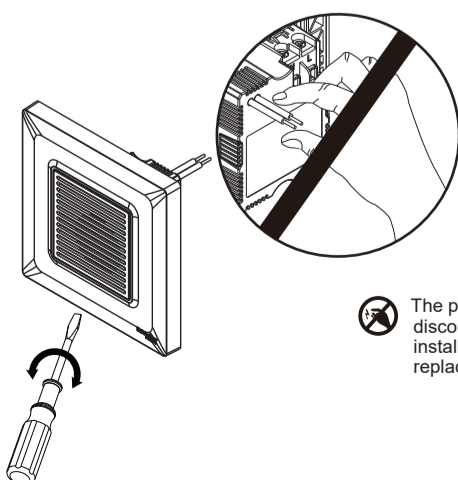


### MOUNTING INSTRUCTION

- ① Remove the blister cover and dolly.
- ② Insert the wires into the terminals and tighten the terminal screws.
- ③ Fix the grid plate onto the wall box with mounting screw.
- ④ Reattach the dolly.



\* Cover remove instruction



نشكركم على اختيار منتجات سلسلة Vivace E من شتايدر إلكترونيك. لضمان الاستخدام الآمن والسليم لمنتجاتنا، يُرجى الاطلاع على المعلومات التالية قبل التركيب والاستخدام. ينطبق دليل الاستخدام هذا على المنتجات التالية.

(ملاحظة: اللاحقة \*WE/WG/DG.....G1/G3/G11 و غيرها، توضح الألوان ومناطق

رقم الكتالوج الطراز	الوصف
*KBN15USB	مقبس بجهد 13 أمبير، منفذ واحد مع مفتاح تشغيل، مزوّد بمنفّذ USB نوع A و C بقوة 2.1 أمبير
*KBN15USB_IS	مقبس دولي بجهد 13 أمبير، منفذ واحد مع مفتاح تشغيل، مزوّد بمنفّذ USB نوع A و C بقوة 2.1 أمبير
*KBNACQUSB	منفّذ USB بقوة 21 واط، نوع A و C، يدعم الشحن السريع PD و QC3.0
*KBNT25USB	مقبس بجهد 13 أمبير، منفذان مع مفتاح تشغيل، مزوّد بمنفّذ USB نوع A و C بقوة 2.1 أمبير
*KBNT25USB_IS	مقبس دولي بجهد 13 أمبير، منفذان مع مفتاح تشغيل، مزوّد بمنفّذ USB نوع A و C بقوة 2.1 أمبير
*KBN15DPUSB	13 أمبير 250 فولت مقبس بمنفّذ واحد مع منفّذ USB 21 واط من النمط A+C
*KBNT25DPUSB	13 أمبير 250 فولت مقبس ذو منفّذين مع منفّذ USB 21 واط من النمط A+C

### المواصفات

رقم الطراز	المواصفات	رقم الطراز	المواصفات
KBNACQUSB	KBN15USB KBN15USB_IS KBNT25USB KBNT25USB_IS	KBN15DPUSB* KBNT25DPUSB*	
الجهد المدخل لمنفّذ USB المقدر	250-220 فولت تيار متردد، كحد أقصى 60/50 هرتز، 0.5 أمبير	250-220 فولت تيار متردد، كحد أقصى 60/50 هرتز، 0.5 أمبير	250-220 فولت تيار متردد، كحد أقصى 60/50 هرتز، 0.5 أمبير
خرج USB	نوع C: ; 5V ≡ 3A ; 9V ≡ 2.33A ; 12V ≡ 1.75A نوع A: ; 5V ≡ 3A ; 9V ≡ 2A 12V ≡ 1.5A النوع A + C 5V ≡ 3.2A (2.4 أمبير كحد أقصى لكل منفذ)	نوع C: ; 5V ≡ 3A ; 9V ≡ 2.33A ; 12V ≡ 1.75A نوع A: ; 5V ≡ 3A ; 9V ≡ 2A 12V ≡ 1.5A النوع A + C 5V ≡ 3A (2.4 أمبير كحد أقصى لكل منفذ)	نوع C: ; 5V ≡ 3A ; 9V ≡ 2.33A ; 12V ≡ 1.75A نوع A: ; 5V ≡ 3A ; 9V ≡ 2A 12V ≡ 1.5A النوع A + C 5V ≡ 3.2A (2.4 أمبير كحد أقصى لكل منفذ)
حماية USB	الحماية من الحرارة الزائدة، الحماية من التيار الزائد في الخرج، الحماية من الجهد الزائد في الخرج، الحماية من قصر الدائرة في الخرج		
جهد وتيار المقبس	250 فولت؛ 13 أمبير		
قاعدة التركيب	60.3mm	120.6mm	
درجة حرارة التشغيل	0-35°C		
صندوق حائط عمق	47 مم ومطابق مع مواصفات BS4662		

### تحذير

#### الصدمة الكهربائية أو الانفجار أو القوس الكهربائي

- يجب أن يركب هذا المنتج بواسطة خبراء أعمال الكهرباء.
- ينبغي ألا يُستخدم هذا المنتج إلا وفقاً لهذه المواصفات وفي ظل الظروف المناسبة. يُرجى التحقق من أنظمة تمديدات الأسلاك المحلية قبل التركيب.
- يجب فصل التيار الكهربائي قبل التركيب أو الصيانة أو الاستبدال.
- تأكد من تركيب المنتج بالكامل وبأمان قبل تشغيل الطاقة.
- لا يحتوي هذا الجهاز المتصل على نحو دائم على جهاز داخلي غير متصل، لذا يجب توفير جهاز منفصل يسهل الوصول إليه خارجياً.
- يجب تركيب المنتج على سطح خرساني أو سطح من مواد غير قابلة للاشتعال.
- تجنب إدخال أي أجسام غريبة في شاحن USB مثل الأسلاك المعدنية الصغيرة ودبابيس الورق والسوائل وما إلى ذلك.

قد يتسبب عدم اتباع هذا التعليمات إلى الوفاة أو التعرض لإصابة خطيرة.

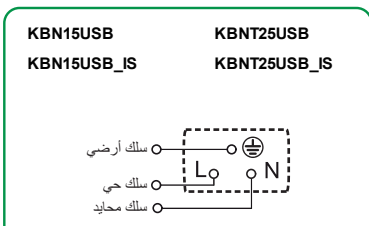
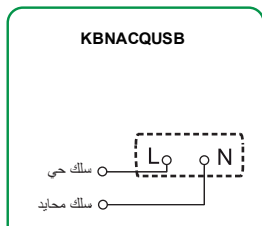
### تحذير

#### خطر تلف الجهاز

- هذا المنتج قابل للاستخدام فقط على ارتفاعات أقل من 2000 متر.
- يرجى تثبيت هذا المنتج في صندوق حائط مطابق للمواصفات البريطانية مع عروتين بعمق 47 ملم.
- يرجى تغطية المنتج أو حفظه قبل ترميمه لتجنب تلفه أو تلوثه.
- يُرجى الحفاظ على سلامة الغطاء الخارجي لتجنب الأضرار قبل التركيب وفي أثناءه.
- أوقف تشغيل مصدر الطاقة الكهربائية عند تنظيف المنتج. استخدم قطعة قماش ناعمة و جافة لإزالة ما على الأسطح من أوساخ وتلوث. لا تستخدم المواد الكيميائية المسببة للتآكل.
- قبل شحن المنتج، يرجى التأكد من توافق بطارية جهازك مع مواصفات شحن البطارية. ولا تستخدم محولات متعددة المقابس من أجل شحن عدة أجهزة في وقت واحد لتجنب تلف الأجهزة.
- يرجى التأكد من أن الجهد في المنزل يجب ألا يكون أعلى من الجهد المحدد أثناء التثبيت، وإلا فقد تتلف وحدة منفذ USB.
- يعتمد وقت الشحن على بروتوكول الشحن المدعوم والطاقة وسعة البطارية وجودة خط الشحن وعوامل أخرى تُحدّد وفقاً للجهاز المشحون نفسه.
- قد يؤدي توصيل بعض كابلات الشحن المدمجة مع وسيلة الشحن إلى تشغيل وضع الشحن العادي.
- سيُشعر المستخدم ببعض الحرارة على سطح المنتج أثناء الشحن.
- للاستخدام الداخلي فقط.

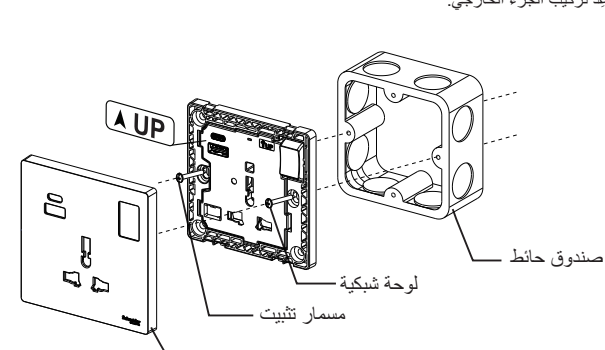
قد يتسبب عدم اتباع هذا التعليمات إلى تلف الجهاز.

### مخطط بياني للأسلاك



### تعليمات التثبيت

1. أزل الجزء الخارجي.
2. أدخل الأسلاك في أطراف التوصيل وأحكم ربط المسامير عليها.
3. تُثبّت اللوحة الشبكية على صندوق الحائط باستخدام مسامير تركيب.
4. أعد تركيب الجزء الخارجي.

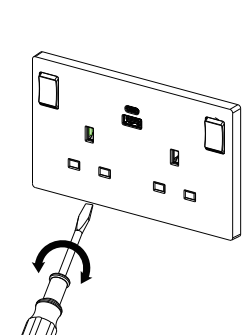
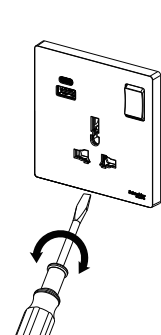


’رجى سحب الزر إلى اليسار لإجراء اختبار مقاومة العزل. وبعد الاختبار، يُرجى سحبه إلى اليمين للاستخدام العادي.

\* تعليمات إزالة الغطاء.

مقبس بمنفّذ واحد مع منفّذ USB

مقبس بمنفّذين مع منفّذ USB



ملحوظة: يجب أن يكون كل طرف قادراً على قبول الاتصال بكابل صلب أو مجدول على النحو التالي

a) 1~4X1.5mm <sup>2</sup>	سعة توصيل
b) 1~3X2.5mm <sup>2</sup>	الأسلاك الطرفية

نشكركم على اختيار منتجات سلسلة Vivace E من شنايدر إلكترونيك. لضمان الاستخدام الآمن والسليم لمنتجاتنا، يُرجى الاطلاع على المعلومات التالية قبل التركيب والاستخدام. ينطبق دليل الاستخدام هذا على المنتجات التالية. (ملاحظة: اللاحقة WE/WG/DG.....G1/G3/G11 وغيرها، توضح الألوان ومناطق

رقم الكتالوج الطراز	الوصف
*KBN15	مقبس بجهد 13 أمبير، 250 فولت، منفذ واحد مع مفتاح تشغيل
*KBNT25	مقبس بجهد 13 أمبير، 250 فولت، منفذان مع مفتاح تشغيل
*KBN15_15	مقبس بجهد 15 أمبير، 250 فولت، منفذ واحد، ثلاث فتحات دائرية مع مفتاح تشغيل
*KBN15_IS	مقبس دولي بجهد 13 أمبير، منفذ واحد مع مفتاح تشغيل
*KBNT25_IS	مقبس دولي بجهد 13 أمبير، منفذان مع مفتاح تشغيل
*KBN426UEST	مقبس عالمي، منفذ واحد، ثلاث فتحات دائرية، 16 أمبير، 250 فولت
*KBNT426UEST	مقبس عالمي، منفذان، ثلاث فتحات دائرية، 16 أمبير، 250 فولت
*KBN15SO	مقبس، 13 Vivace E، 250 فولط، منفذ واحد
*KBN15DP	مقبس مزود بمفتاح، 13 Vivace E، 250 فولط، منفذ واحد
*KBN15DPN	مقبس مزود بمفتاح ومؤشر، 13 Vivace E، 250 فولط، منفذ واحد
*KBNT25SO	مقبس، 13 Vivace E، 250 فولط، منفذان
*KBNT25DP	مقبس مزود بمفتاح ومؤشر، 13 Vivace E، 250 فولط، منفذان
*KBNT25DPN	مقبس مزود بمفتاح ومؤشر، 13 Vivace E، 250 فولط، منفذان
*KBN31D45NCU	وحدة التحكم في المعد المزودة بمقبس 13 أمبير بمفتاح، 45 Vivace، 250 فولط

### المواصفات

الجهد المقدر	: 250 فولت
قاعدة التركيب	: 60.3 مم
التيار المقدر	: يرجى الرجوع إلى علامة المنتج
صندوق حائط عمق	: 35 مم ومطابق مع مواصفات BS4662

### ⚠ تحذير

#### الصدمة الكهربائية أو الانفجار أو القوس الكهربائي

- يجب أن يركب هذا المنتج بواسطة خبراء أعمال الكهرباء.
- ينبغي ألا يُستخدم هذا المنتج إلا وفقاً لهذه المواصفات وفي ظل الظروف المناسبة. يُرجى التحقق من أنظمة تمديدات الأسلاك المحلية قبل التركيب.
- يجب فصل التيار الكهربائي قبل التركيب أو الصيانة أو الاستبدال.
- تأكد من تركيب المنتج بالكامل وبأمان قبل تشغيل الطاقة.
- تجنب إدخال أي أجسام غريبة في شاحن USB مثل الأسلاك المعدنية الصغيرة ودبابيس الورق والسوائل وما إلى ذلك.
- تفادي لمس أطراف القابس أثناء إدخاله أو سحبه.

قد يتسبب عدم اتباع هذا التعليمات إلى الوفاة أو التعرض لإصابة خطيرة.

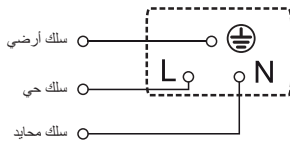
### تحذير

#### خطر تلف الجهاز

- يُرجى تركيب المنتج بصندوق الحائط القياسي للتأكد من تشغيله بصورة ملائمة.
- يُرجى الحفاظ على سلامة الغطاء الخارجي لتجنب الأضرار قبل التركيب وفي أثناءه.
- أوقف تشغيل مصدر الطاقة الكهربائية عند تنظيف المنتج. واستخدم قطعة قماش ناعمة وجافة لإزالة ما على الأسطح من أوساخ وتلوث. لا تستخدم المواد الكيميائية المسببة للتآكل.
- قم بتغطية/حماية المنتج قبل إصلاحه لتجنب التلوث أو التلف.
- للاستخدام الداخلي فقط.

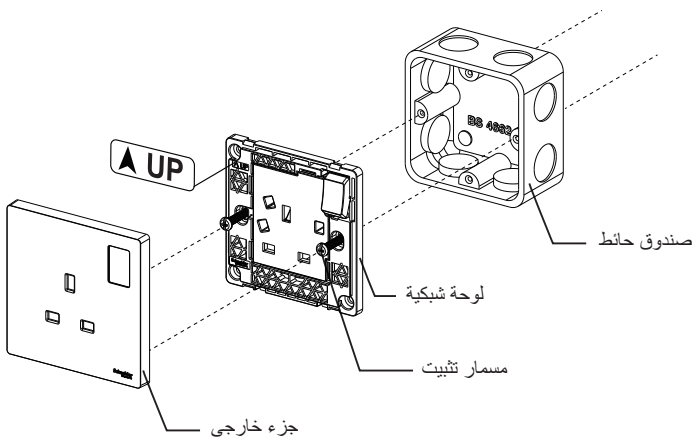
قد يتسبب عدم اتباع هذا التعليمات إلى تلف الجهاز.

### مخطط بياني للأسلاك

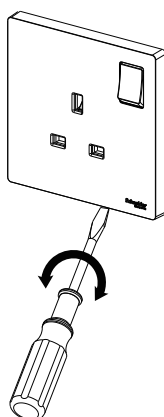


### تعليمات التثبيت

1. أزل الجزء الخارجي.
2. أدخل الأسلاك في أطراف التوصيل وأحكام ربط المسامير عليها.
3. تُثبت اللوحة الشبكية على صندوق الحائط باستخدام مسامير تركيب.
4. أعد تركيب الجزء الخارجي.



\* تعليمات إزالة الغطاء.



Thank you for choosing **Schneider Electric Vivace E** series products. To ensure proper application of our product, Please read through the following information before installation and use.

**This application guide applies to the following products.**

(Notes: suffix \_WE/WG/DG.....G1/G3/G11\*etc. mean the colors and sales areas)

Cat. No.	Description
KBN426_16S*	16A 250V 1 Gang Schuko Socket with Shutter
KBNT426_16S*	16A 250V 2 Gang Schuko Socket with Shutter

### SPECIFICATIONS

Rated Voltage	: 250V~
Mounting center	: 1gang 60.3, 2gang 120.6
Rated Current	: Refer to product marking
Stripping Length	: 10-12mm

## ⚠ WARNING

### ELECTRIC SHOCK, EXPLOSION OR ARCING HAZARD

- This product must be installed by qualified electricians.
- This product should only be used in accordance with this specification and under the appropriate circumstance, Please check your local wiring regulations before installation.
- The power must be disconnected before installation, maintenance or replacement.
- Make sure the product is installed completely and safely before turning on the power.
- This permanently connected equipment does not contain internal disconnected device, a readily accessible disconnected device should be provided externally.
- The product should be mounted on the surface of concrete or non-flammable materials.
- Avoid any foreign objects ingress into USB charger such as small metal wires, paper clips, liquids, etc.
- It is necessary to install a waterproof box when installing and operating in high humidity environments (such as shower rooms, bathrooms, etc.).

**Failure to follow this instruction may result in death or serious injury.**

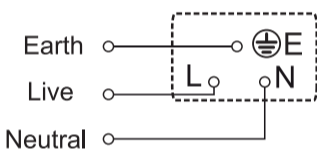
## CAUTION

### RISK OF DAMAGE DEVICE

- Please install with standard wall box to ensure the product to be used properly
- Please keep the front cover safe in order to prevent damages before and during installation.
- Ensure the power supply is turned off when cleaning the product. Use a piece of soft and dry cloth to wipe off the dirt and contamination on the surface. Do NOT use corrosive chemicals.
- Shield / mask the product before renovation to avoid contamination and degradation.
- Indoor use only.
- Variations in colour or texture for each color across products and batches are normal phenomena, since the textures are hand finished in manufacturing process.

**Failure to follow this instruction may result in damage to the device.**

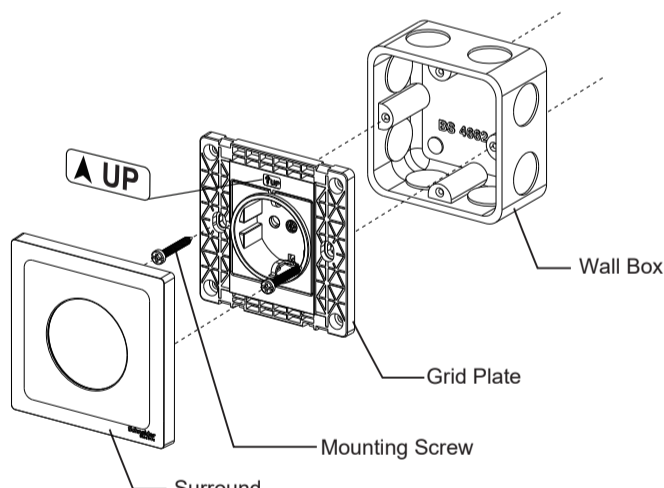
### WIRING DIAGRAMS



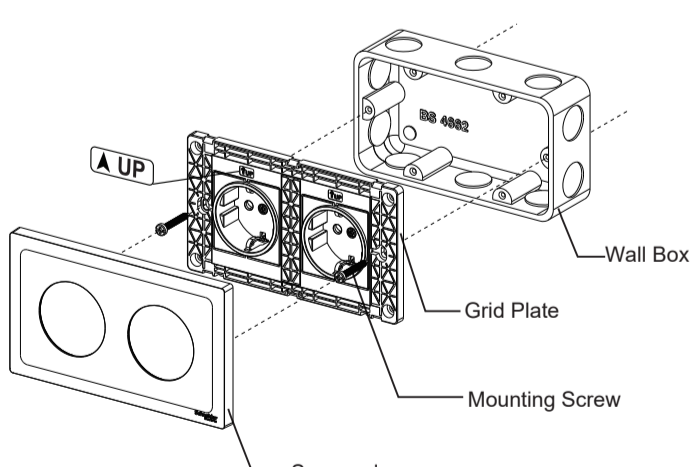
### MOUNTING INSTRUCTION

- ① Remove the surround.
- ② Insert the wires into the terminals and tighten the terminal screws.
- ③ Fix the grid plate onto the wall box with mounting screw.
- ④ Reattach the surround.

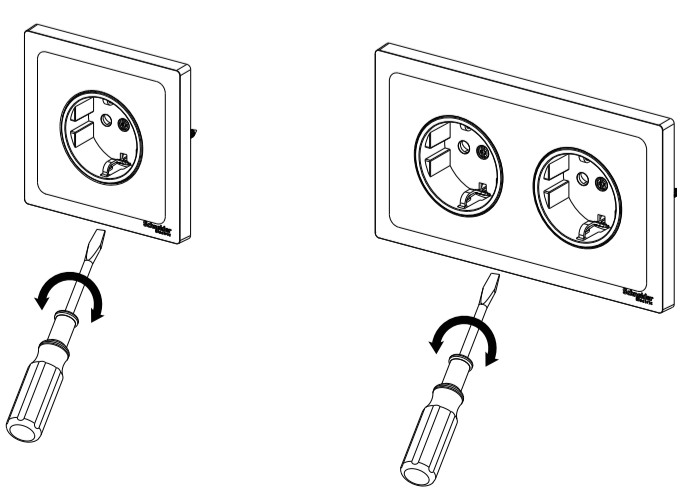
#### 1 Gang Schuko Socket with Shutter



#### 2 Gang Schuko Socket with Shutter



\* Cover remove instruction



Terima kasih telah memilih produk Schneider Electric seri Vivace E. Untuk memastikan penggunaan produk yang tepat, harap baca informasi berikut sebelum pemasangan dan penggunaan.

**Panduan aplikasi ini berlaku untuk produk berikut.**

(Catatan: akhiran seperti \_WE/WG/DG...G1/G3/G11\* menunjukkan warna dan area penjualan)

No. Katalog	Deskripsi
KBN426_16S*	16A 250V 1 Gang Schuko Socket with Shutter
KBNT426_16S*	16A 250V 2 Gang Schuko Socket with Shutter

**SPESIFIKASI**

Tegangan Terukur	: 250V~
Jarak Pemasangan	: 1gang 60.3, 2gang 120.6
Arus Terukur	: Lihat penandaan pada produk
Panjang Kupasan Kabel	: 10-12mm

**⚠ PERINGATAN**

**BAHAYA KESETRUM, LEDAKAN, ATAU PERCIKAN LISTRIK**

- Produk ini harus dipasang oleh teknisi listrik yang berkompeten.
- Produk ini hanya boleh digunakan sesuai dengan spesifikasi dan kondisi yang sesuai. Harap periksa peraturan instalasi listrik setempat sebelum pemasangan.
- Pastikan daya listrik dimatikan sebelum pemasangan, perawatan, atau penggantian.
- Pastikan produk terpasang dengan lengkap dan aman sebelum menyalakan daya listrik.
- Perangkat yang terhubung permanen ini tidak memiliki pemutus internal, maka harus disediakan pemutus yang mudah diakses secara eksternal.
- Produk harus dipasang pada permukaan beton atau bahan yang tidak mudah terbakar.
- Hindari masuknya benda asing ke dalam pengisi daya USB seperti kawat logam kecil, penjepit kertas, cairan, dll.
- Diperlukan pemasangan kotak tahan air saat digunakan di lingkungan dengan kelembaban tinggi (seperti kamar mandi, ruang shower, dll).

**Kegagalan mengikuti instruksi ini dapat menyebabkan cedera serius atau kematian.**

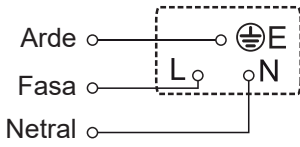
**PERHATIAN**

**RISIKO KERUSAKAN PERANGKAT**

- Harap pasang dengan kotak dinding standar untuk memastikan produk dapat digunakan dengan benar.
- Harap jaga penutup depan agar tidak rusak sebelum dan selama pemasangan.
- Pastikan daya listrik dimatikan saat membersihkan produk. Gunakan kain lembut dan kering untuk membersihkan kotoran pada permukaan. Jangan gunakan bahan kimia korosif.
- Lindungi produk saat renovasi untuk menghindari kontaminasi dan kerusakan.
- Hanya untuk penggunaan di dalam ruangan.
- Variasi warna atau tekstur antar produk dan batch adalah hal yang normal karena tekstur dibuat secara manual selama proses produksi.

**Kegagalan mengikuti instruksi ini dapat menyebabkan kerusakan pada perangkat.**

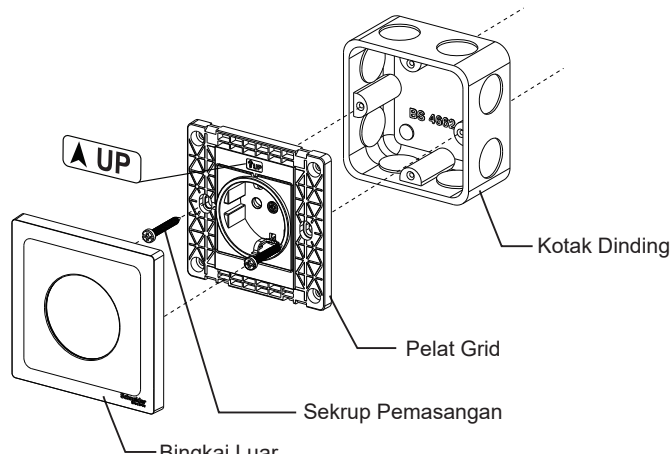
**DIAGRAM PENGKABELAN**



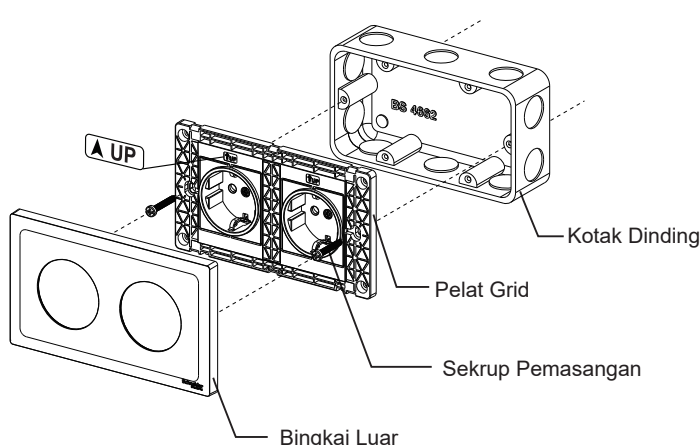
**PETUNJUK PEMASANGAN**

- ① Lepaskan bingkai luar.
- ② Masukkan kabel ke terminal dan kencangkan sekrup terminal.
- ③ Pasang pelat grid ke kotak dinding dengan sekrup pemasangan.
- ④ Pasang kembali bingkai luar.

**Stopkontak Schuko 1 Gang dengan Penutup**



**Stopkontak Schuko 2 Gang dengan Penutup**



\* Instruksi melepas penutup

