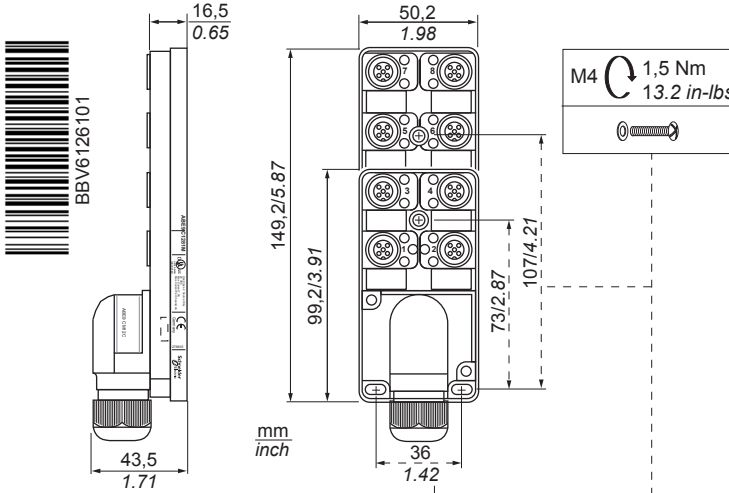
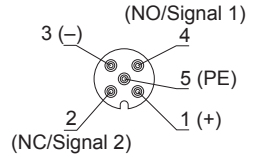


ABE9C12●●L●●

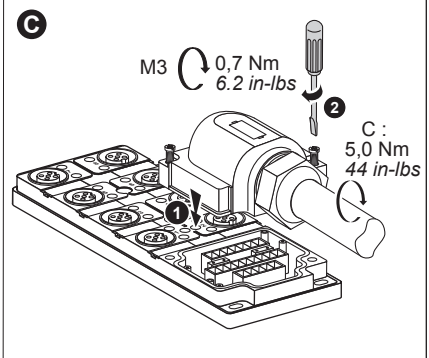
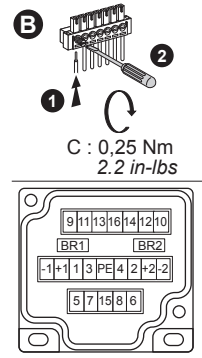
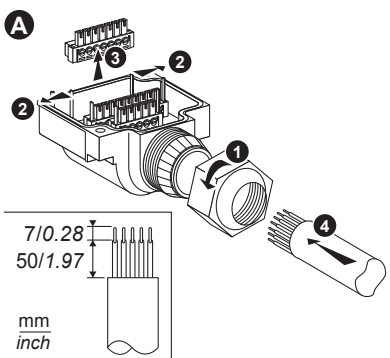


M12 :

4 A/pin

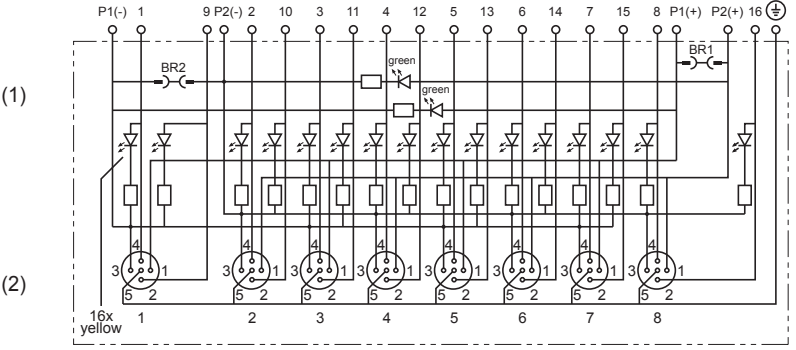


$\Sigma I = 12 \text{ A} - 0,75 \text{ mm}^2 / 16 \text{ AWG}$
 $\Sigma I = 16 \text{ A} - 1 \text{ mm}^2 / 18 \text{ AWG}$

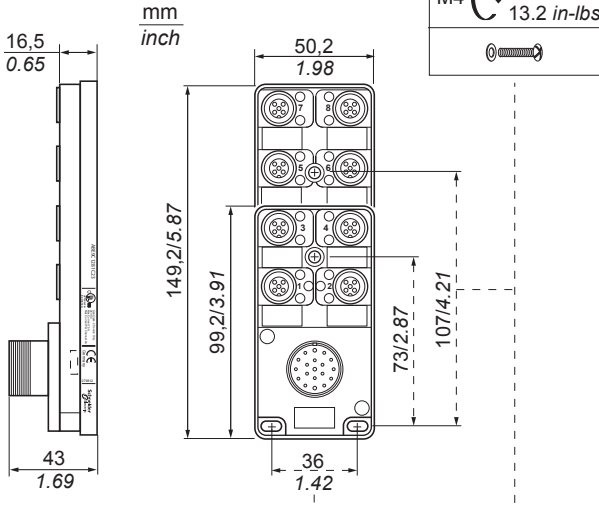


Pin Nr.	Color
1	white
9	grey/pink
2	green
10	red/blue
3	yellow
11	white/green
4	grey
12	brown/green
**	**
5	pink
**	**
13	white/yellow
**	**
6	red
**	**
14	yellow/brown
**	**
7	black
**	**
15	white/grey
**	**
8	purple
**	**
16	grey/brown
1+	brown 1
2+	brown 2
1-	blue 1
2-	blue 2
PE	green/yellow

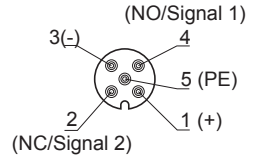
Section	
mm ²	AWG
(1) 0,34	22
(2) 0,75	16



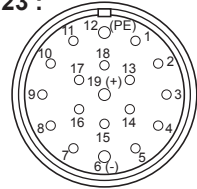
ABE9C12●●C23



M12 :
4 A/pin



M23 :

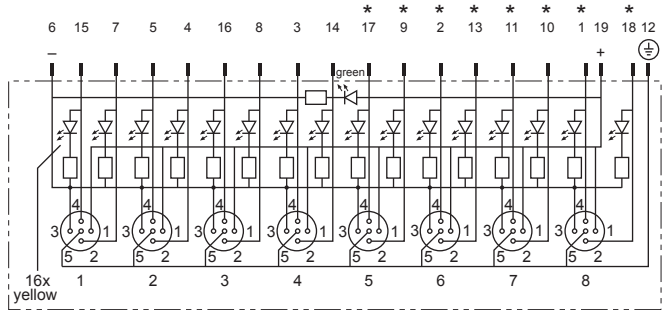


$\Sigma I = 12 \text{ A} - 0,75 \text{ mm}^2 / 16 \text{ AWG}$
 $\Sigma I = 16 \text{ A} - 1 \text{ mm}^2 / 18 \text{ AWG}$

M23 Color

- * 1 purple
- * 2 red
- 3 grey
- 4 red/blue
- 5 green
- 7 grey/pink
- 8 white/green
- 9 white/yellow
- * 10 white/grey
- * 11 black
- * 13 yellow/brown
- 14 brown/green
- 15 white
- 16 yellow
- * 17 pink
- * 18 grey/brown
- 6 (-) blue
- 19 (+) brown
- 12 (PE) green/yellow

* not connected on ABE9C124●●C23



The data shown in this spreadsheet are related to the following version of the China RoHS 2.0: Administrative Measures for the Restriction of Hazardous Substances in Electric Appliances and Electronic Products released January 21st 2016.

Part Name 部件名称	Hazardous Substances / 有害物质					
	Pb 铅	Hg 汞	Cd 镉	Cr (VI) 六价铬	PBB 多溴联苯	PBDE 多溴二苯醚
Electronic 电子件	X	O	O	O	O	O

This table is made according to SJ/T 11364.

O: Indicates that the concentration of hazardous substance in all of the homogeneous materials for this part is below the limit as stipulated in GB/T 26572.

X: Indicates that concentration of hazardous substance in at least one of the homogeneous materials used for this part is above the limit as stipulated in GB/T 26572.

本表格根据 SJ/T 11364 的规定编制。

O: 表示该有害物质在该部件所有均质材料中的含量均在 GB/T 26572 规定的限量要求以下。

X: 表示该有害物质至少在该部件的某一均质材料中的含量超出 GB/T 26572 规定的限量要求。

(企业可在此处, 根据实际情况对上表中打 的技术原因进行进一步说明。)