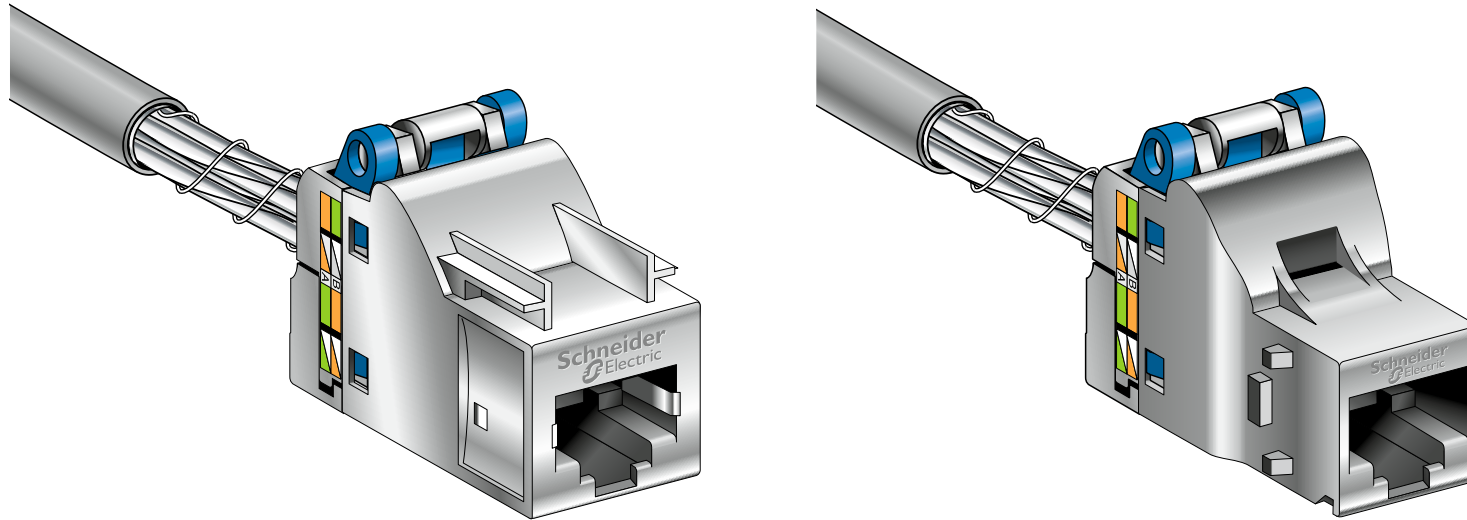


How to connect S-One & S-One DPM connectors to reach performance

Download the Acrobat app
for a better experience



Contains
video links



PoE+ *
4P PoE

IEEE 802.3bt Type 4 – 90W/52V (860mA per pair maximum)
4-pair Power over Ethernet type 4 - IEC 60512-99-002

* Power Over Ethernet (Ethernet et alimentation électrique)

Cat 5e Cat 6 Cat 6A

V4

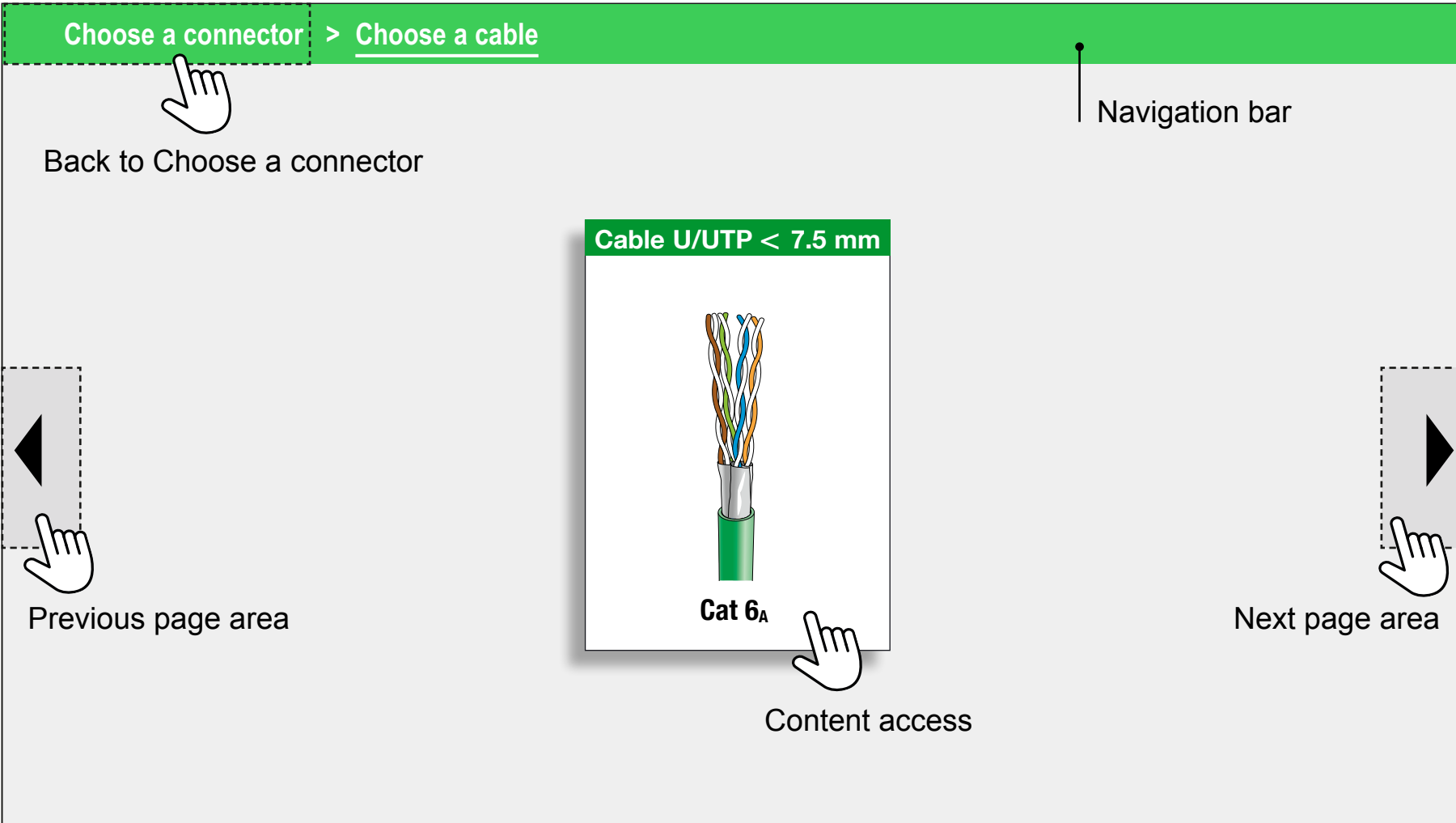
RJ45 connectors S-One & S-One DPM

Installation Sheet
GEX94517000

Life Is On

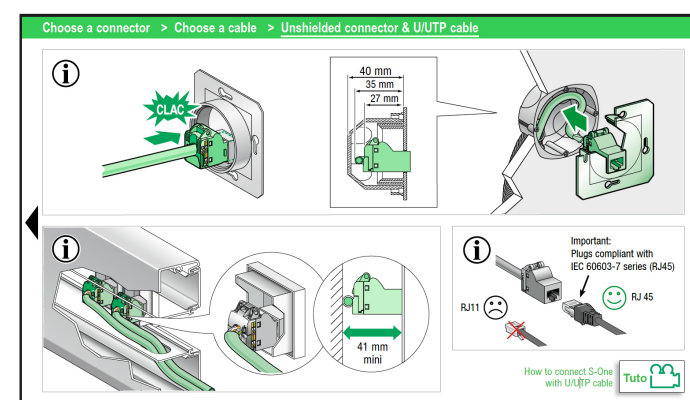
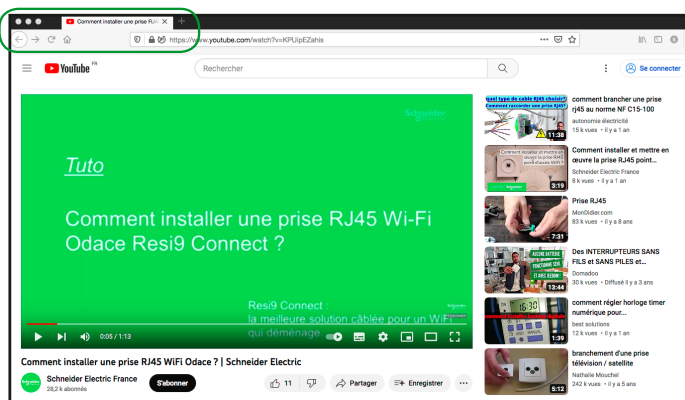
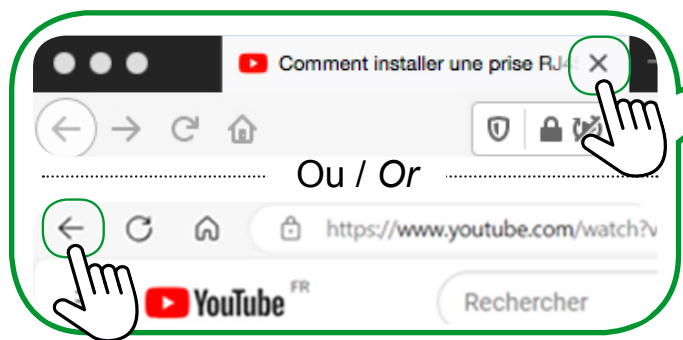
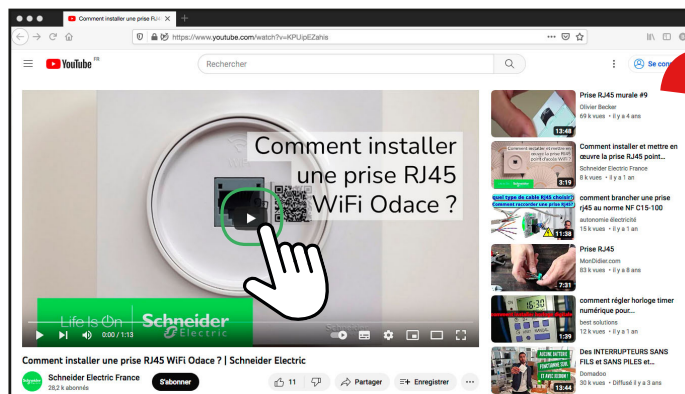
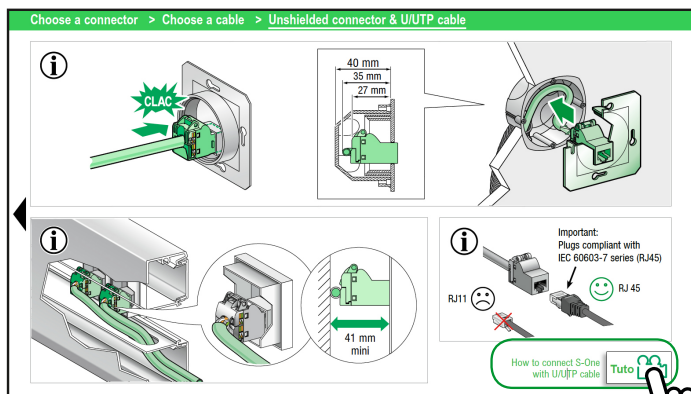
Schneider
Electric

Navigation tools



Navigation tools

Access the tutorial on YouTube and return to the user guide



WARNING



HAZARD OF ELECTRIC SHOCK, EXPLOSION OR ARC FLASH

- This equipment must only be installed by a qualified person. This operation must only be carried out after reading all the instructions in this document.

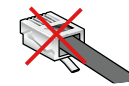
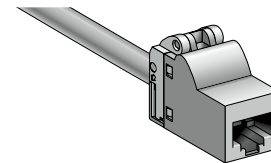
- NEVER work alone.
- Before making the visual inspections, tests or maintenance operations on this equipment, disconnect all electrical power supplies.
- Start off with the principle that all circuits are live until they have been completely powered down, tested and labeled. Pay special attention to the design of the power supply circuit. Take account of all power supply sources, including the possibility of feedback.
- Wear suitable personal protective equipment and respect applicable electrical safety instructions.
- Use a Voltage Tester of the appropriate rating.
- Take account of possible hazards. Carefully inspect the work area to check that no tools or objects could have been left inside the equipment.

Failure to follow these instructions will result in death or serious injury.

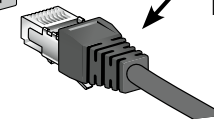
This instruction must be kept for future use.

IMPORTANT NOTE

- This equipment be installed, repaired en maintained only by qualified personnel. No responsibility is assumed by Schneider Electric for any consequences arising out of the use of this documentation.
- A qualified person is one who has skills and knowledge related to the construction, installation and operation of electrical equipment and who has received safety training to recognize and avoid the hazards involved.
- Read this guide carefully and examine the equipment to become familiar with its operation before installing it.
- All applicable local, regional, and national regulations must be respected when installing, repairing, and maintaining this equipment.
- This device should not be installed if, when unpacking you observe that it is damaged.



RJ11




RJ 45



IMPORTANT

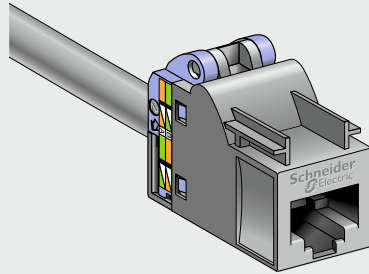
Plugs compliant with
IEC 60603-7 series (RJ45)

I select the connector

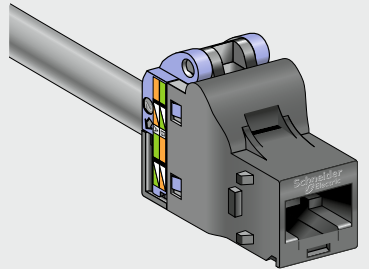
Click on the tab of your choice 

Unshielded

Actassi S-One

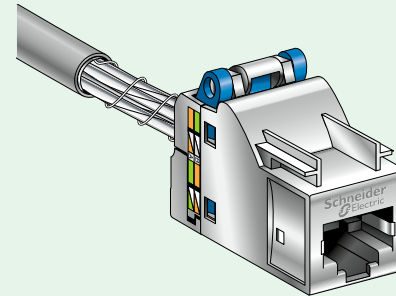


Actassi S-One DPM

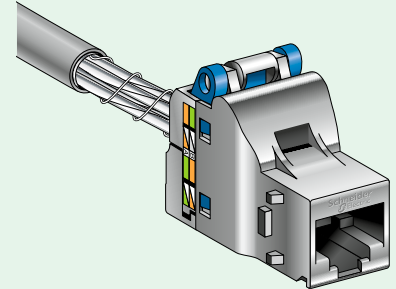


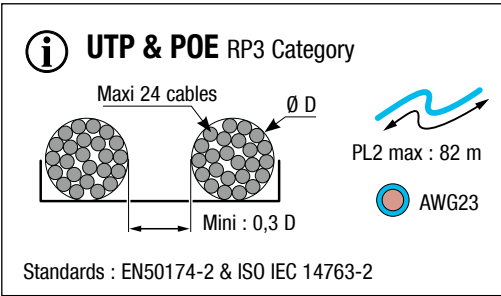
Shielded

Actassi S-One

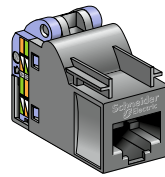


Actassi S-One DPM

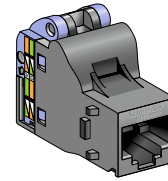




**S-One
Unshielded**



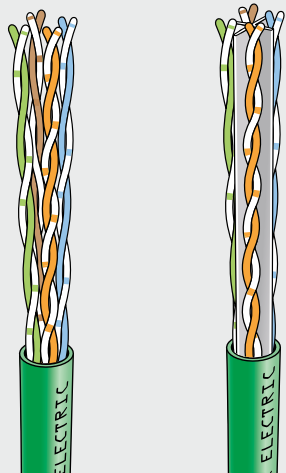
**S-One DPM
Unshielded**



I select the cable

Click on the tab of your choice

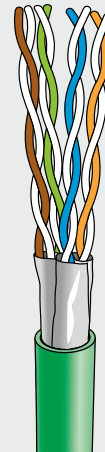
Cable U/UTP < 6 mm



Cat 5e

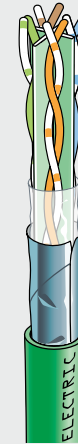
Cat 6

Cable U/UTP < 7.5 mm



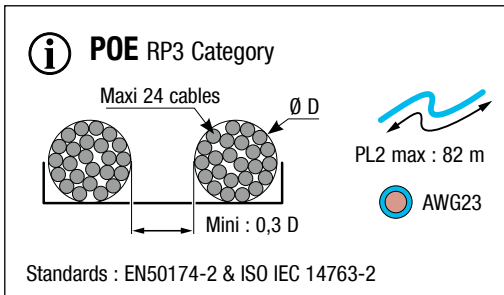
Cat 6A

Cable U/UTP > 7.5 mm

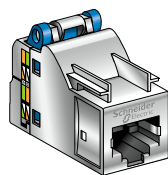


Cat 6A

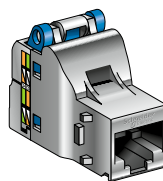
Choose a connector > Choose a cable



**S-One
Shielded**

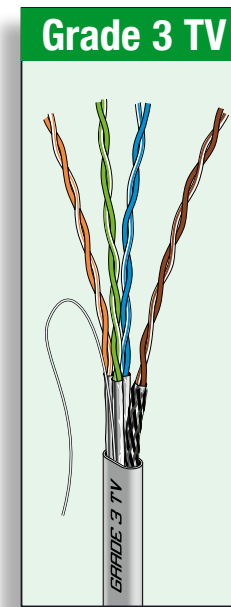
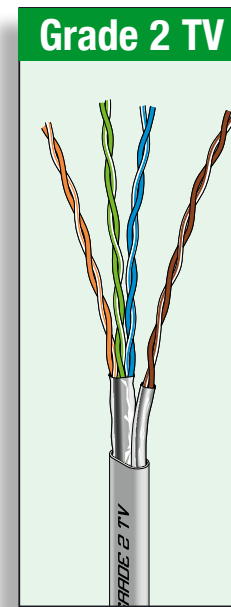
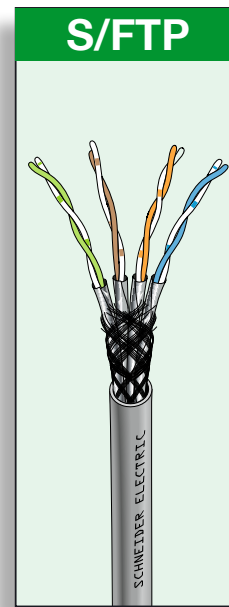
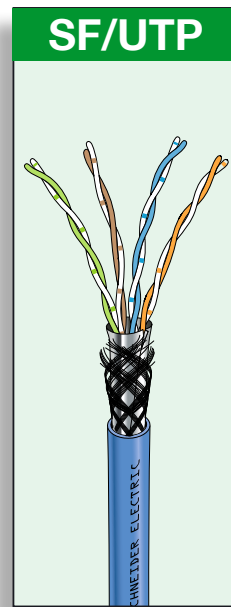
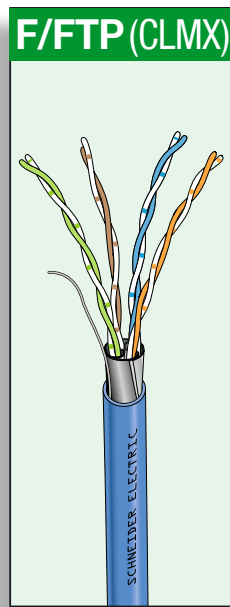
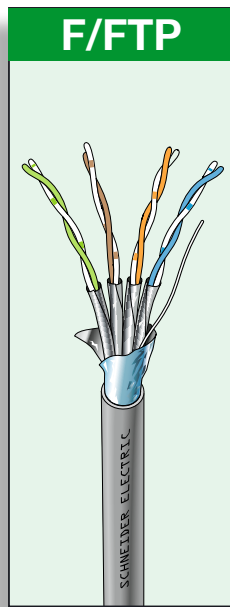
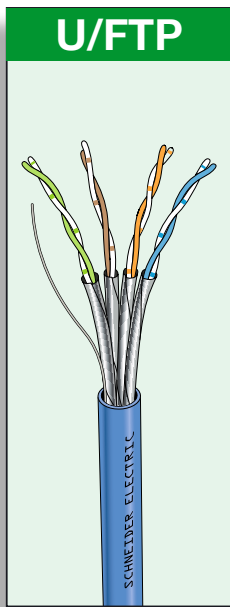
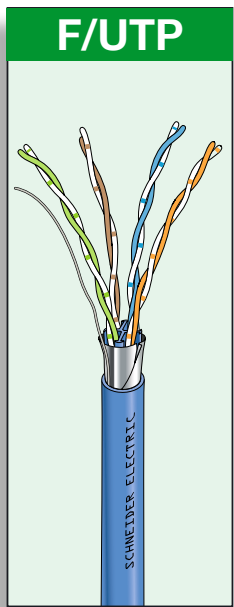


**S-One DPM
Shielded**



I select the cable

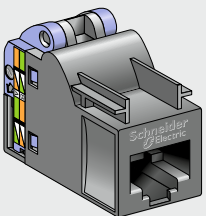
Click on the tab of your choice



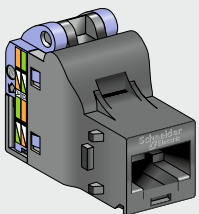
Composition

Unshielded connector

S-One



S-One DPM

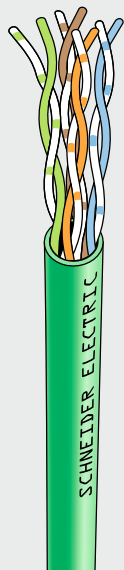


U/UTP

Cat 5e

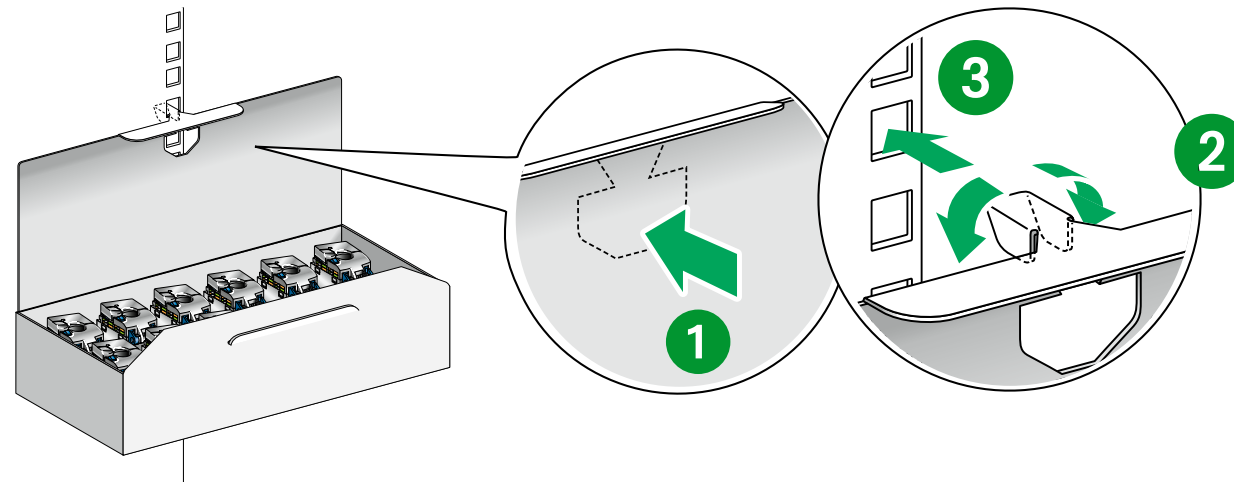
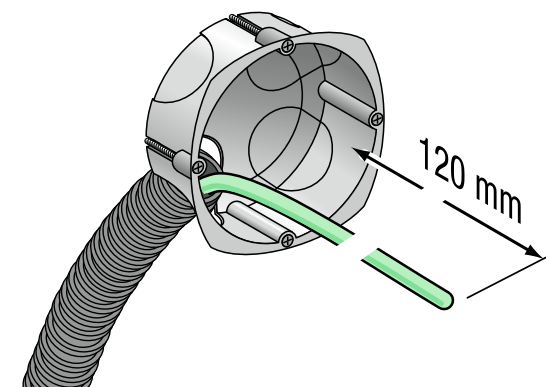
Cat 6

< 6 mm



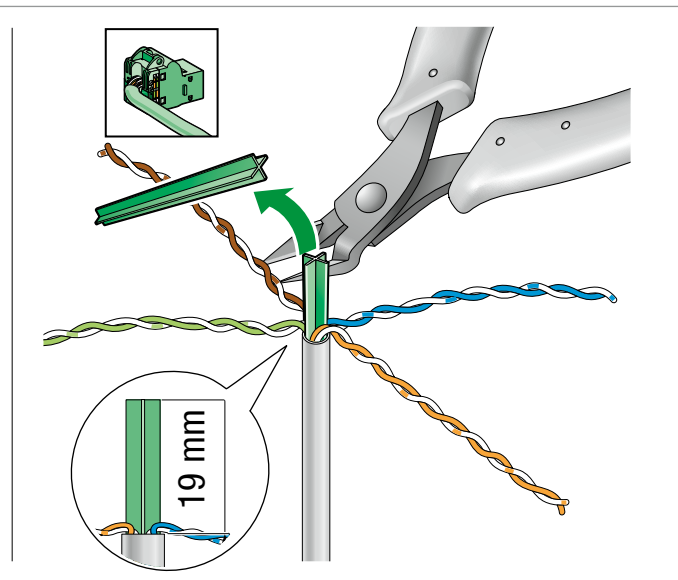
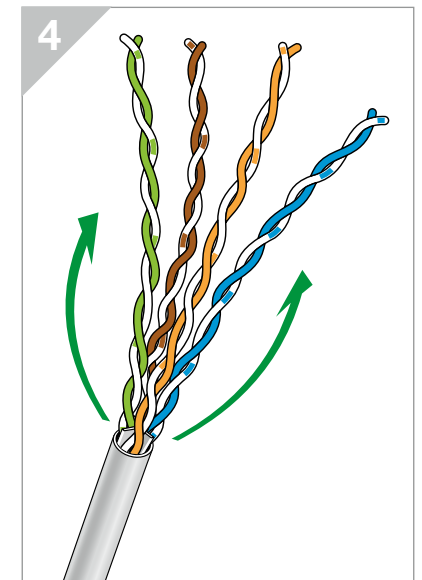
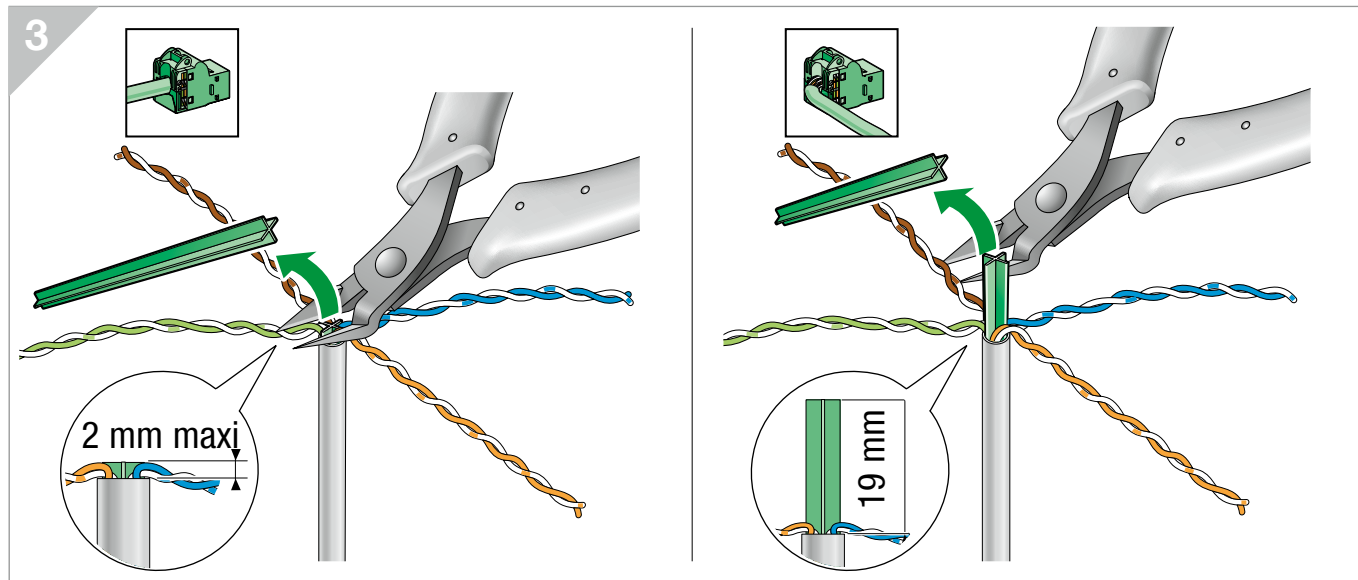
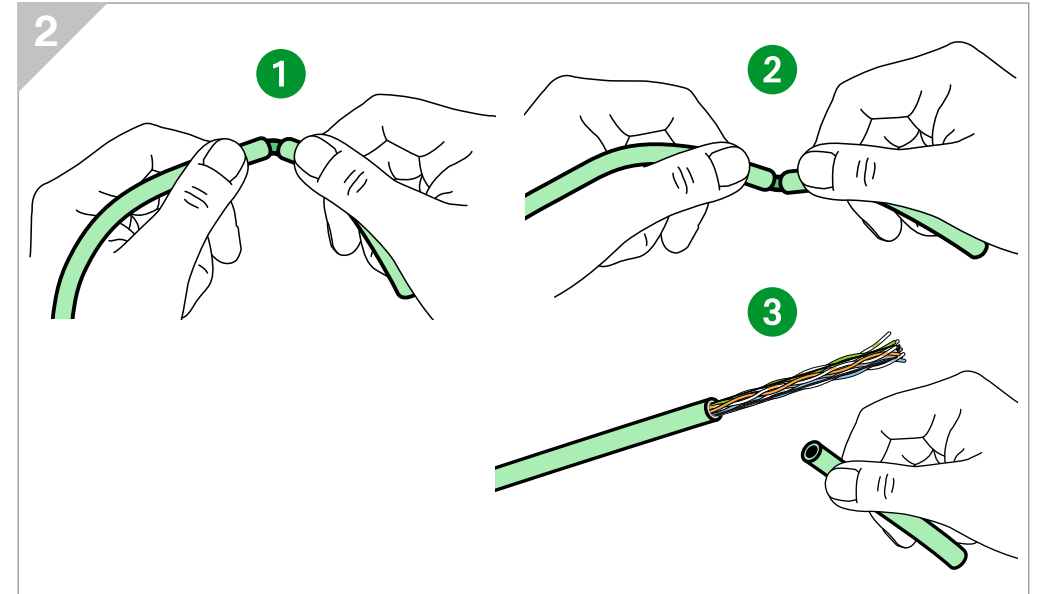
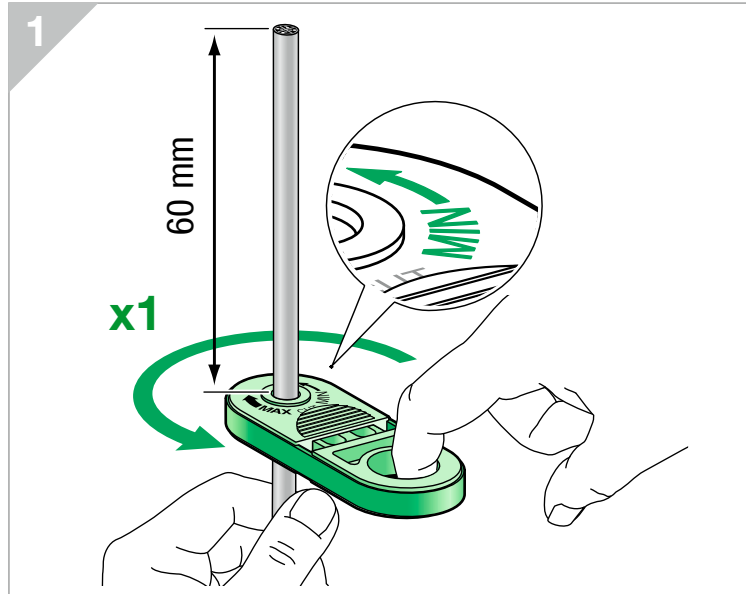
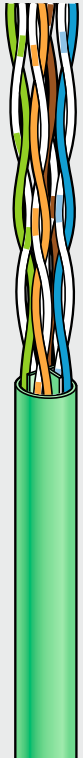
VDIR580020

x1



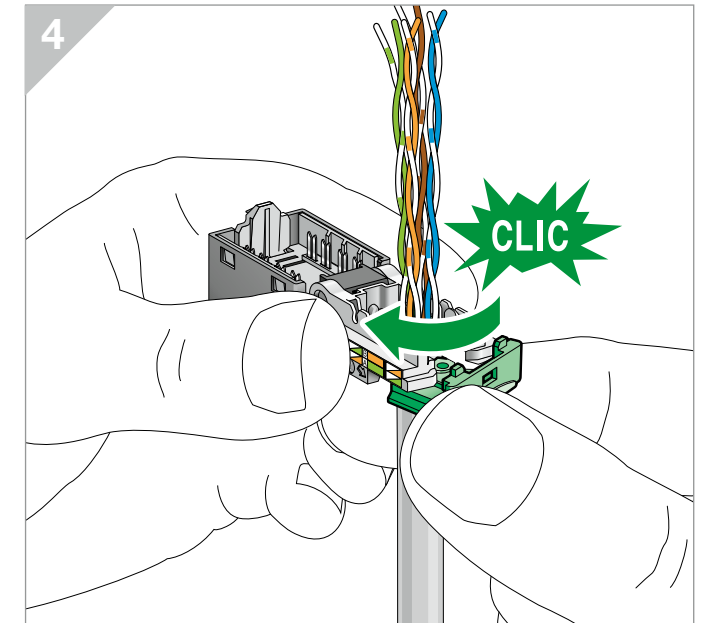
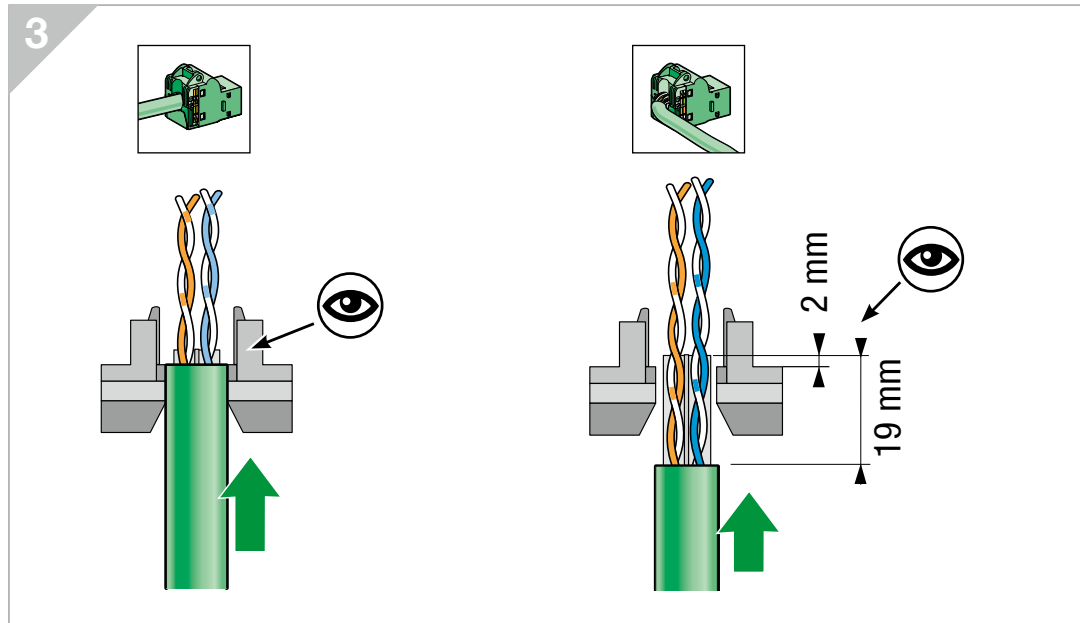
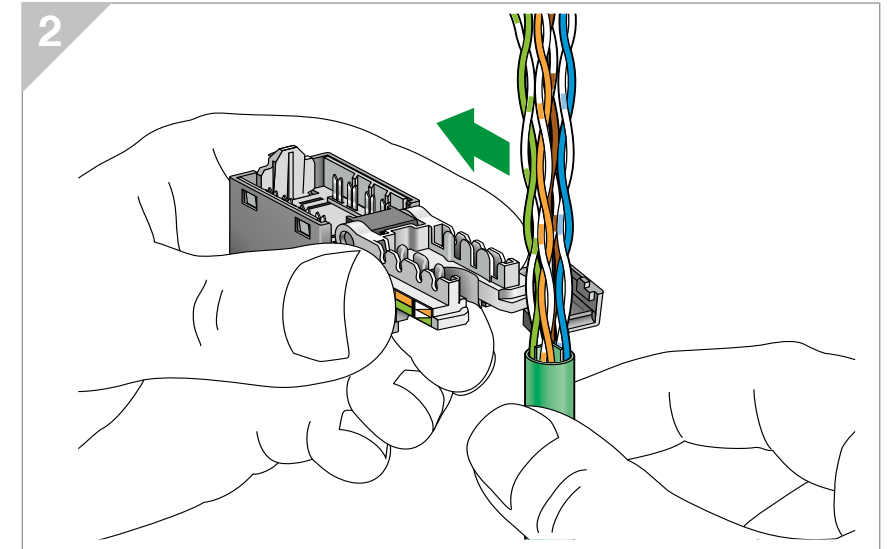
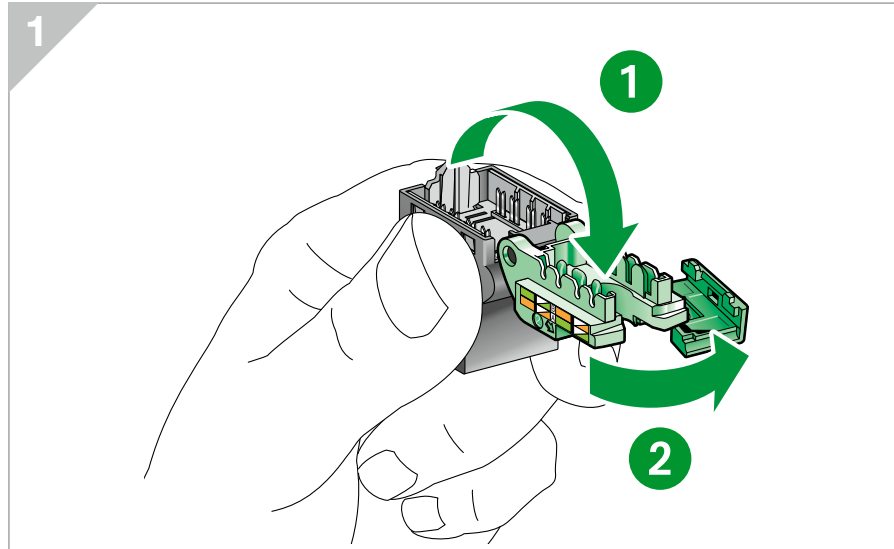
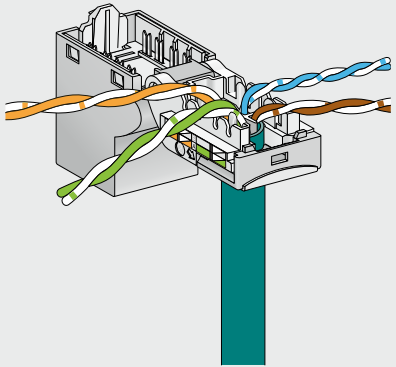
Cable preparation

U/UTP



Connector termination

U/UTP

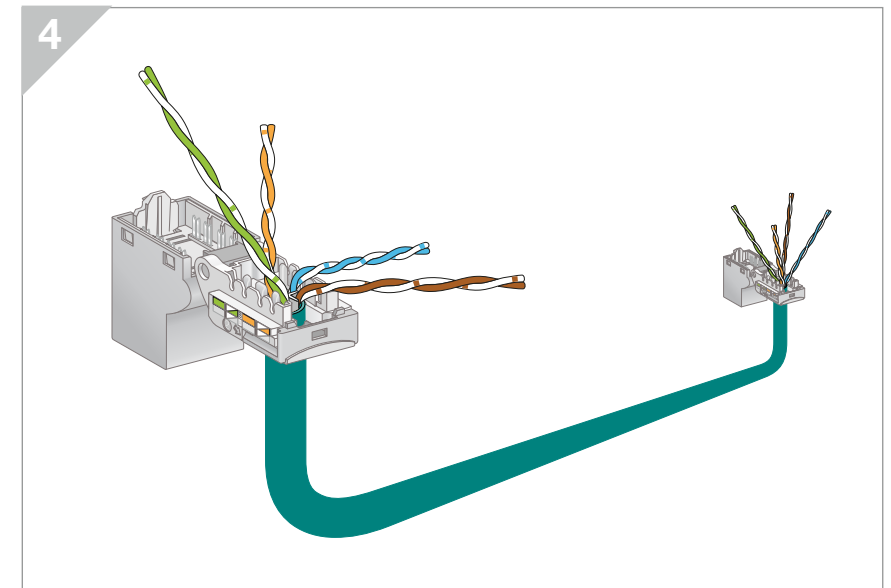
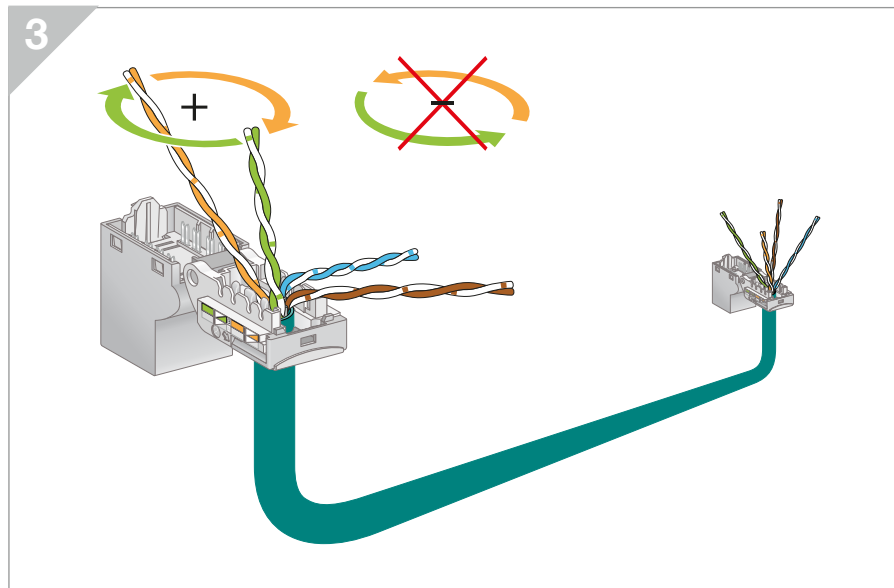
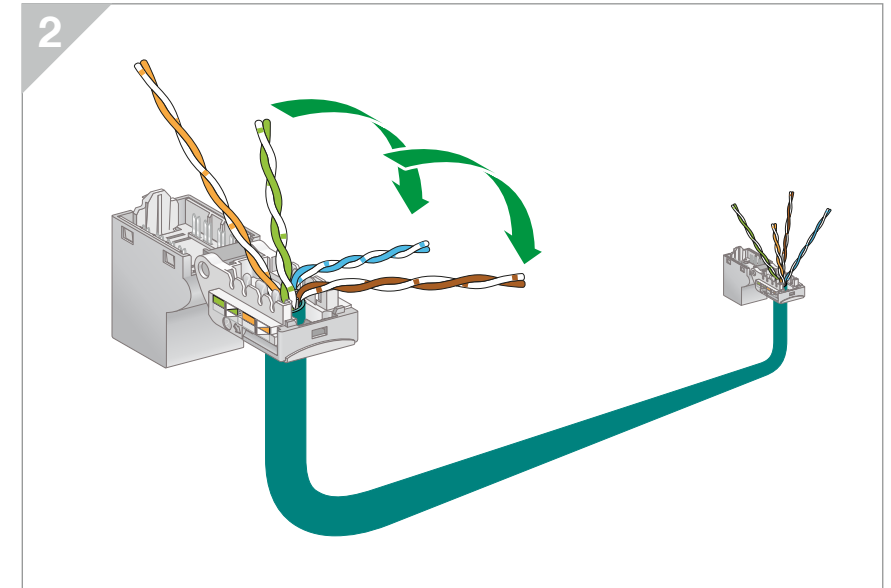
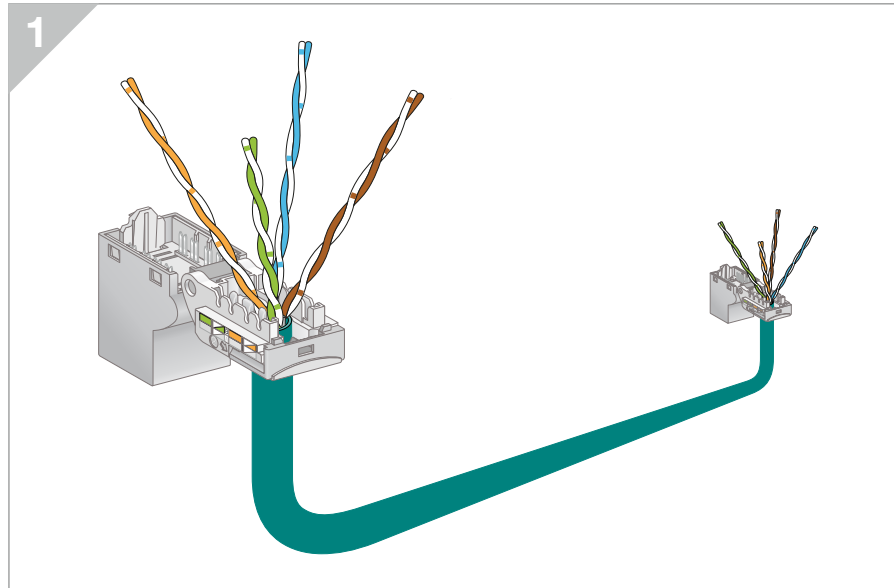
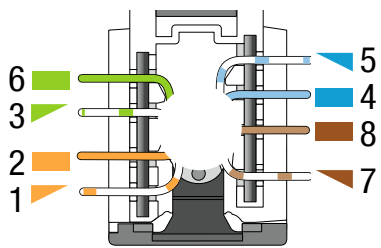


Pairs crossing

U/UTP

How to prepare a U/UTP cable acc. to T568B wiring code to reach high performance

EIA-TIA 568B (100Ω)

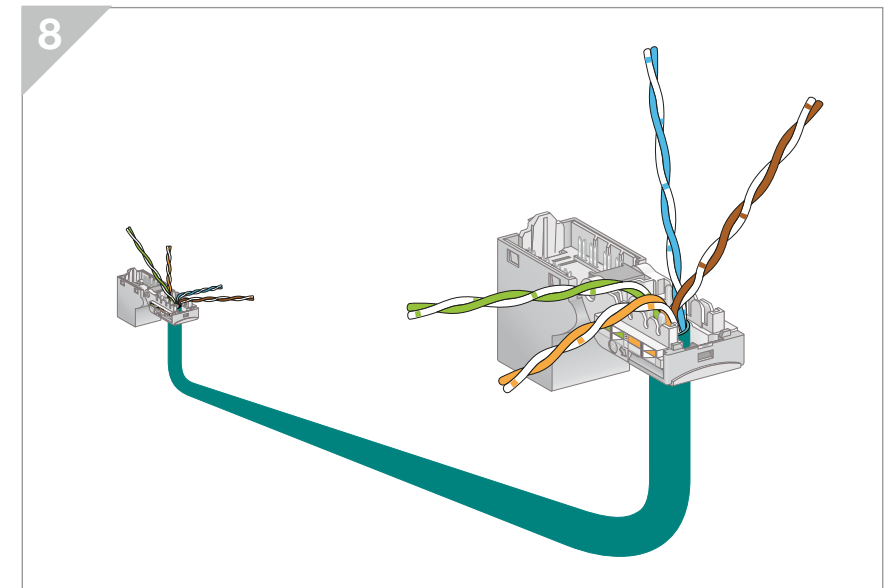
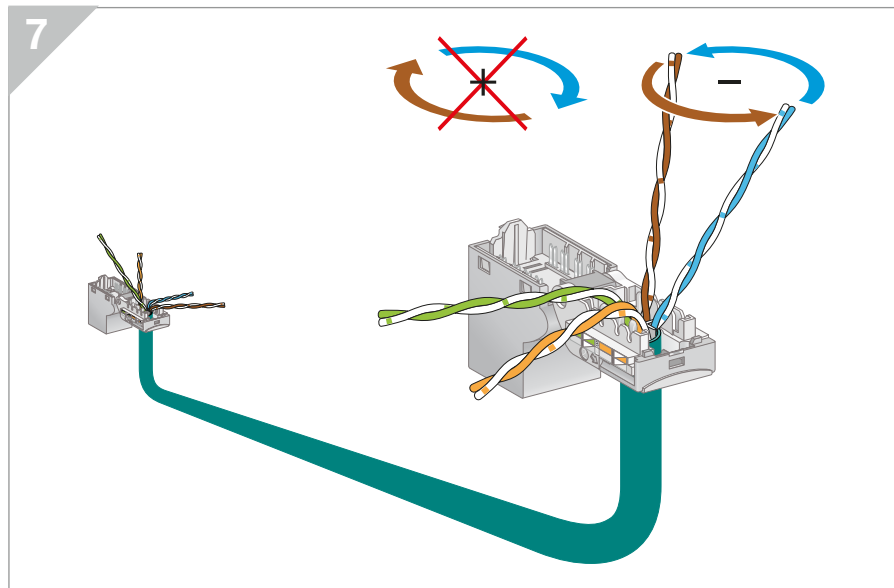
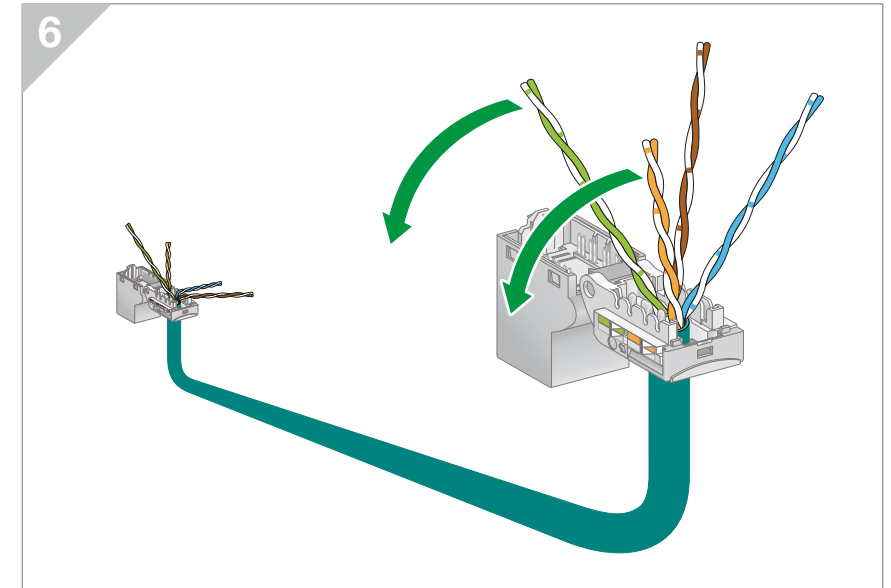
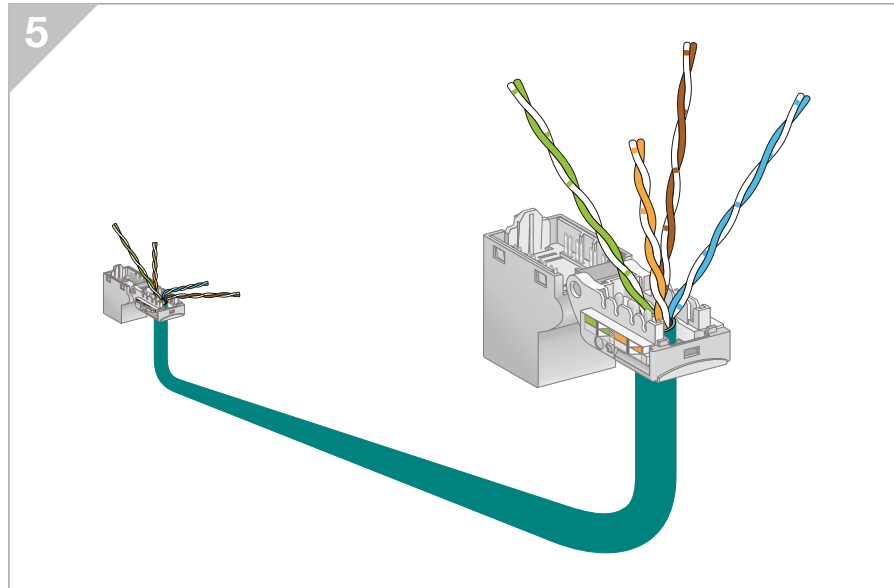
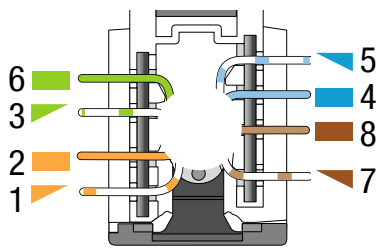


Pairs crossing

U/UTP

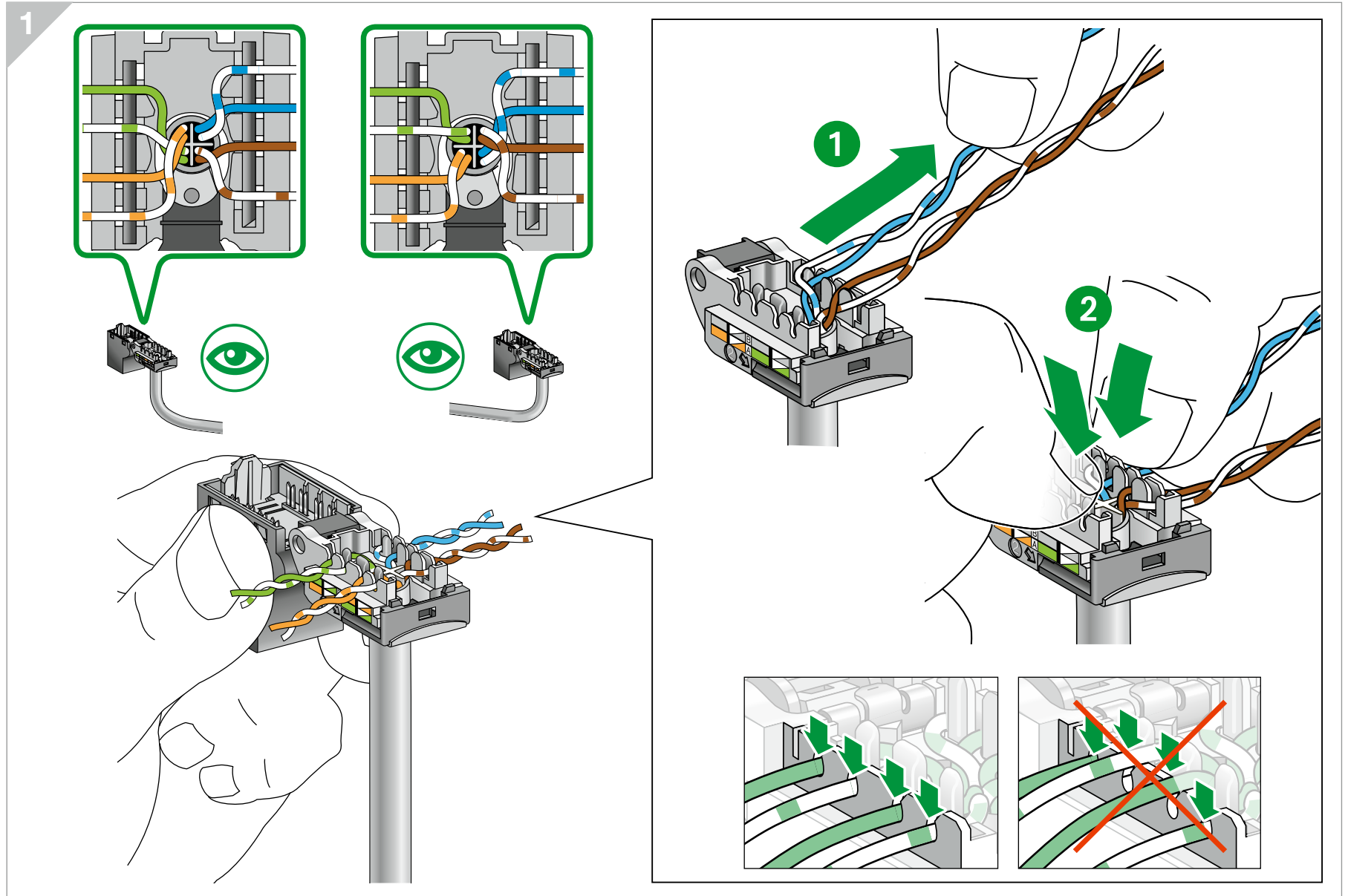
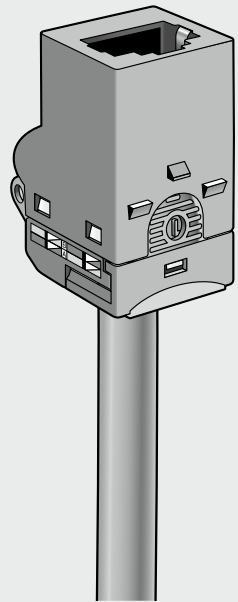
How to prepare a U/UTP cable acc. to T568B wiring code to reach high performance

EIA-TIA 568B (100Ω)



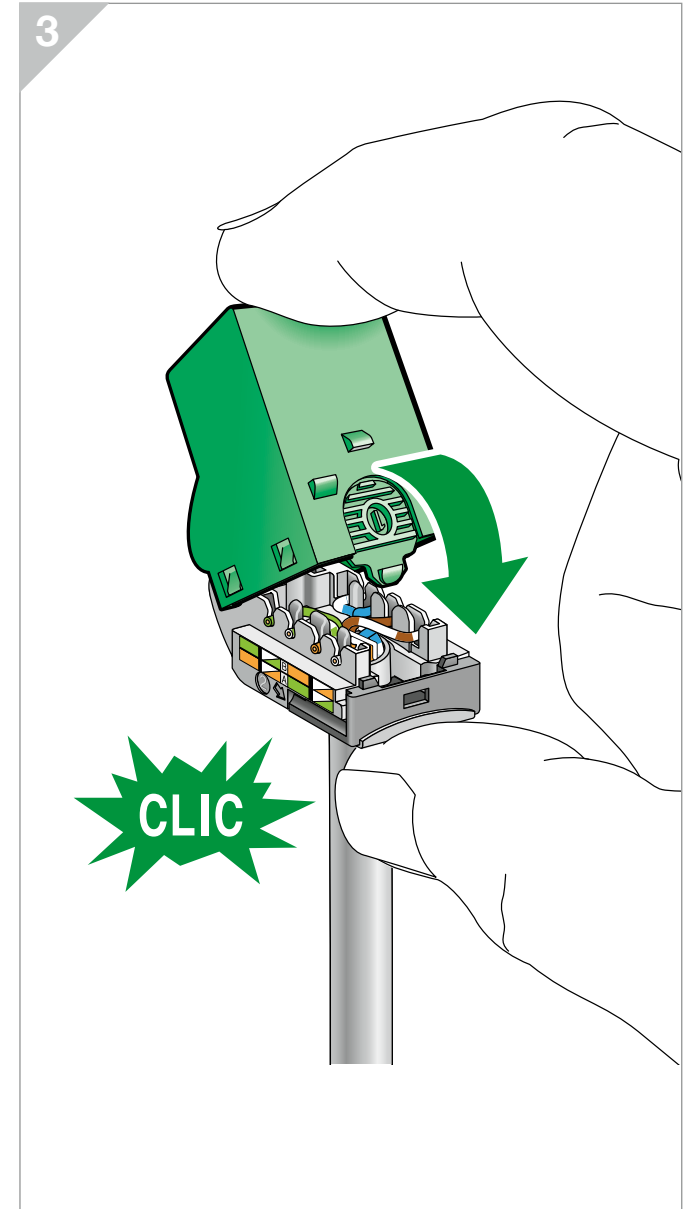
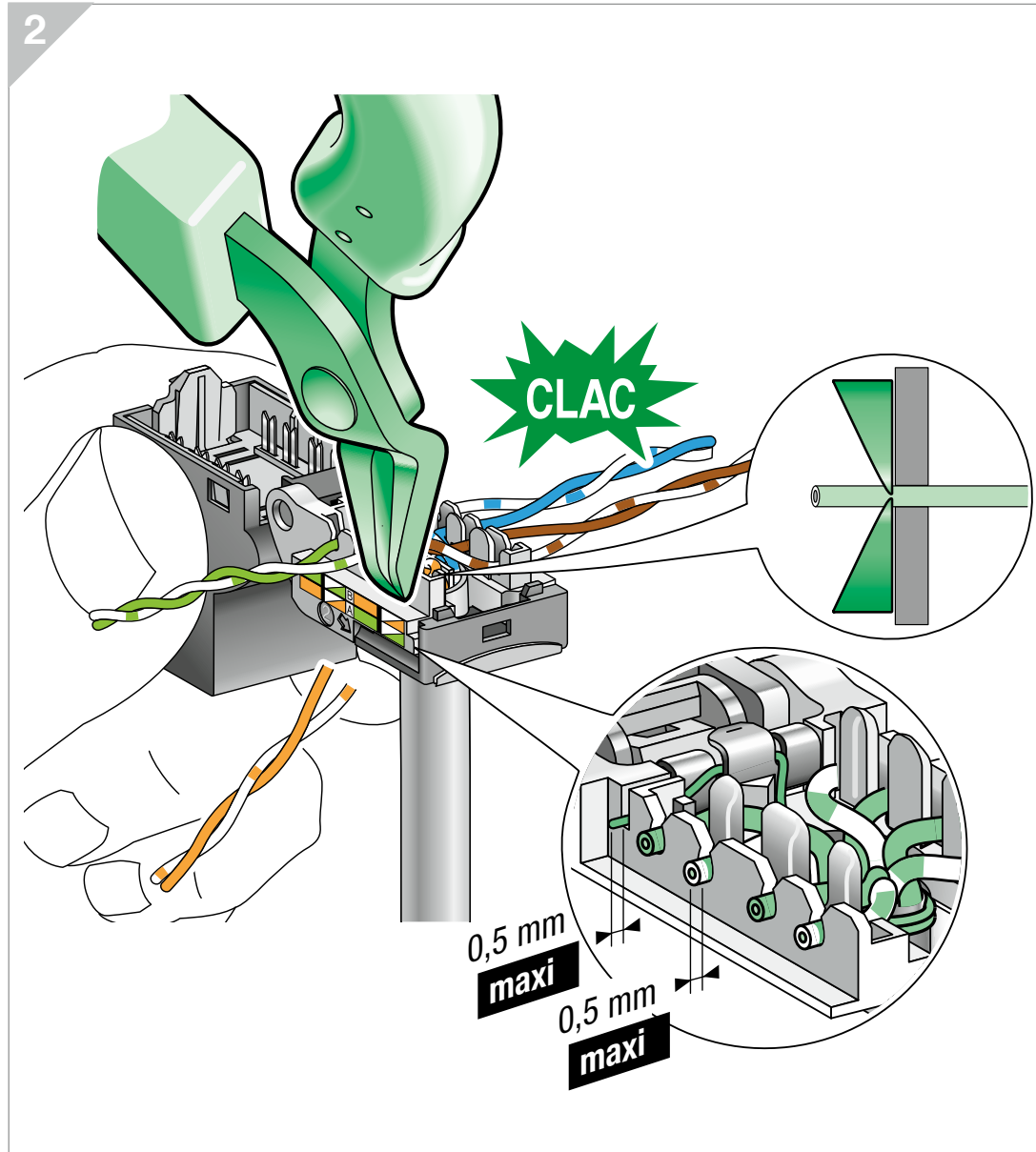
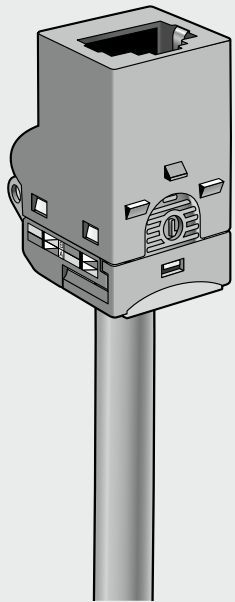
Connector connection

U/UTP



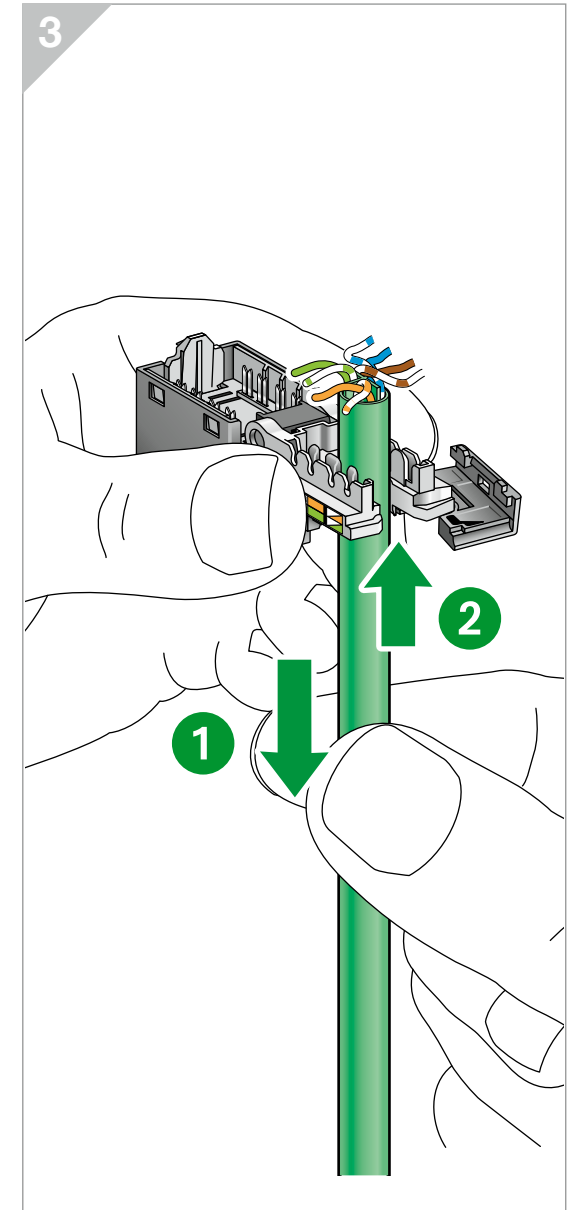
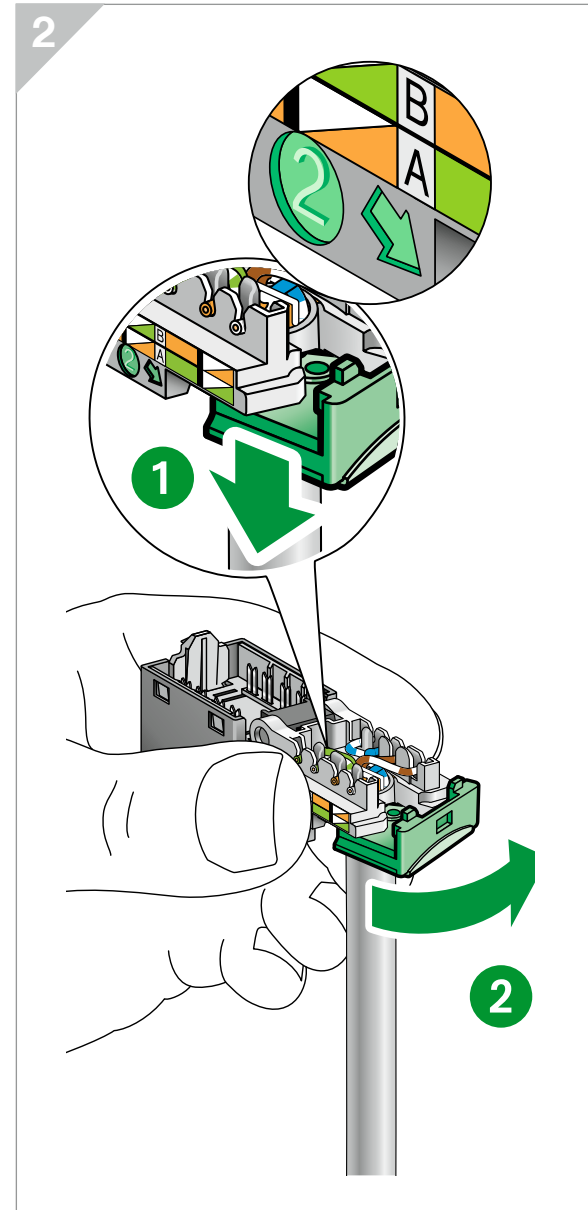
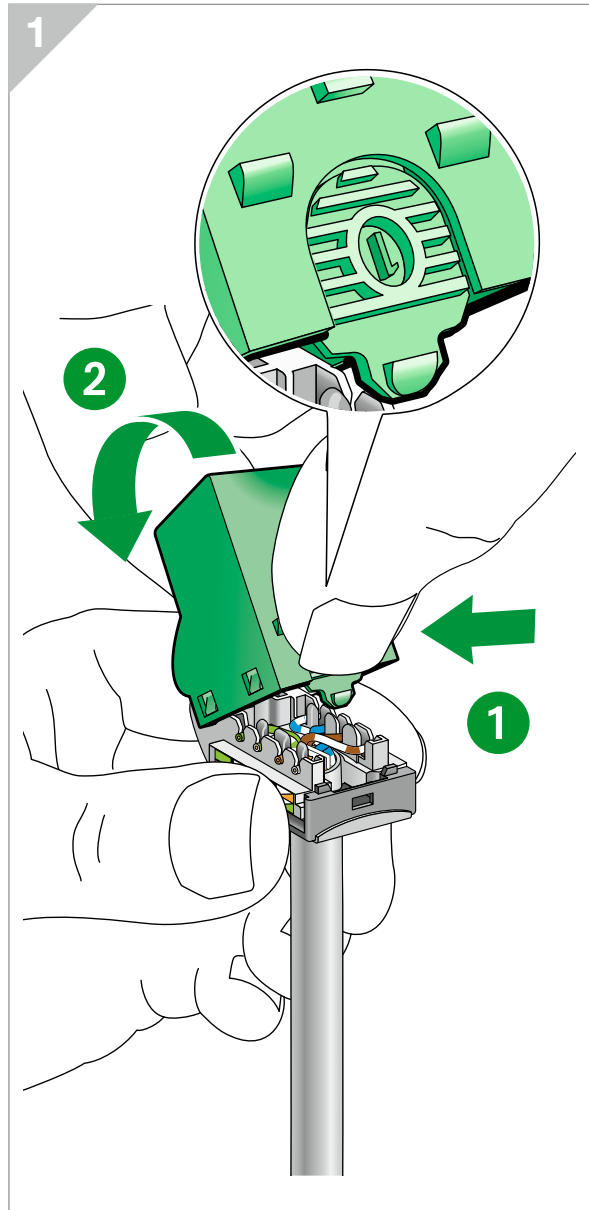
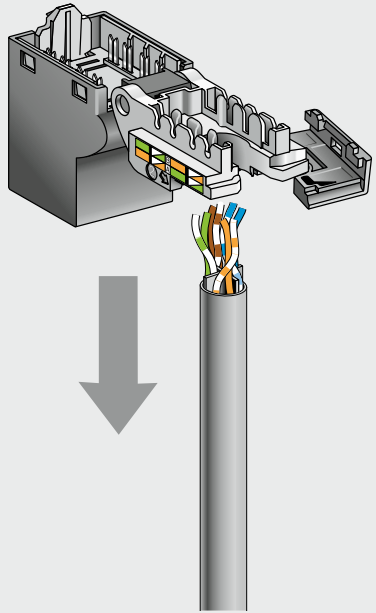
Connector connection

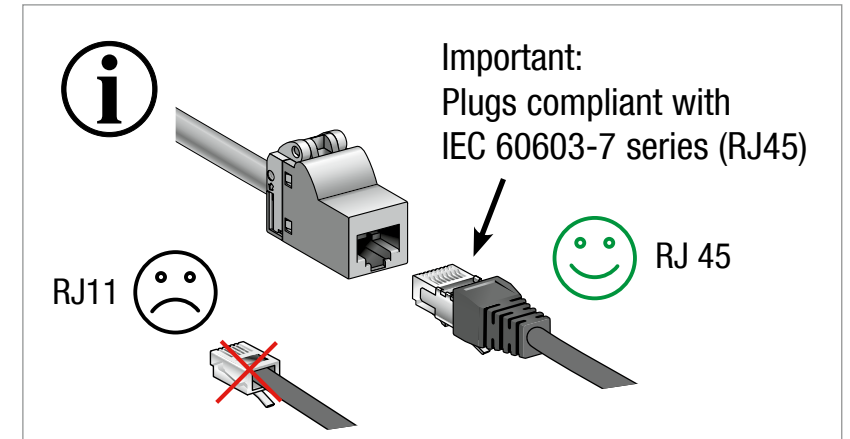
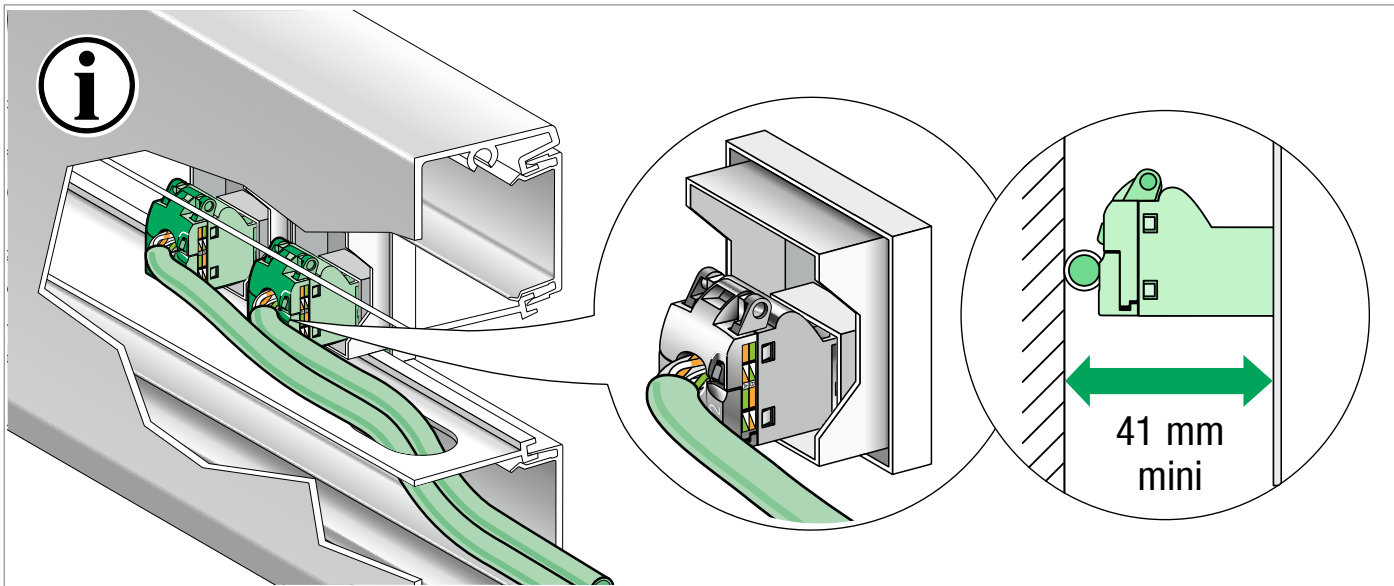
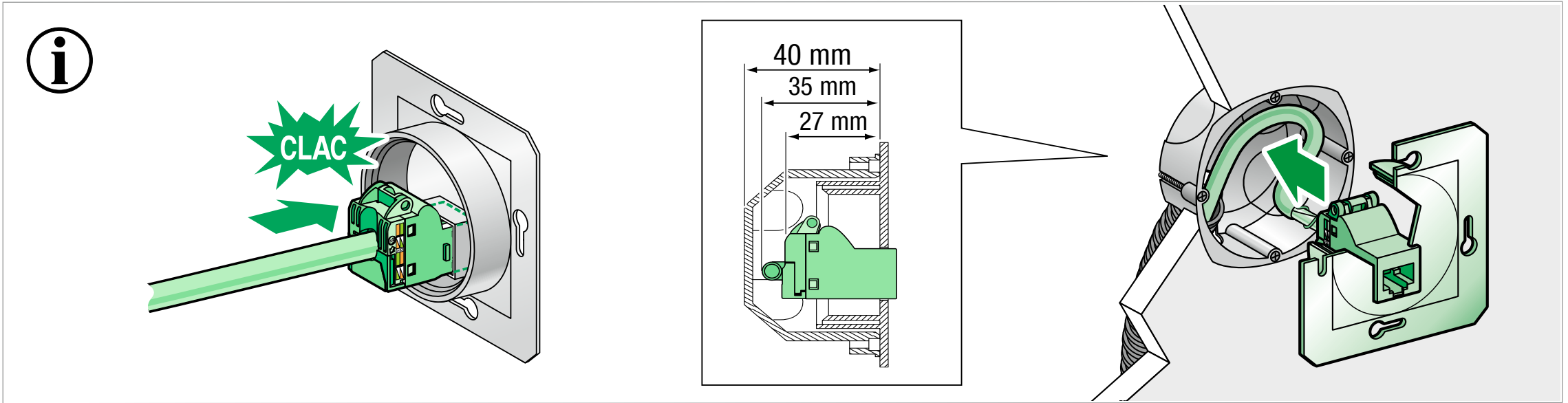
U/UTP



Connector disconnection

U/UTP

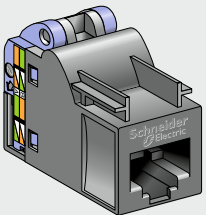




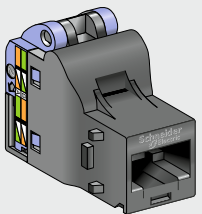
Composition

Unshielded connector

S-One

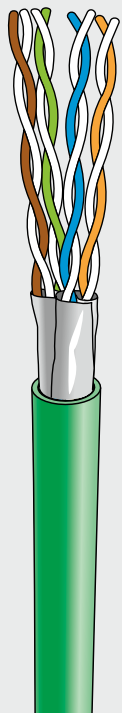


S-One DPM



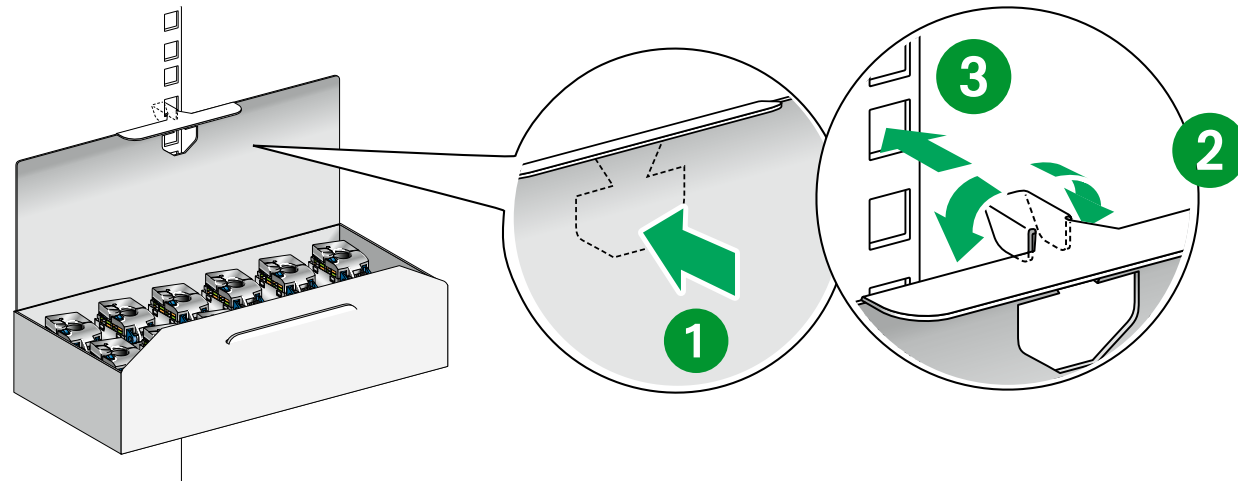
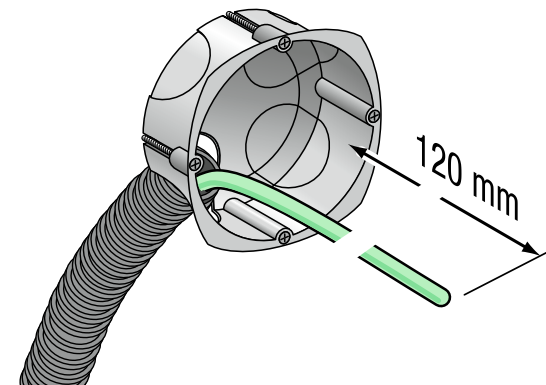
U/UTP

Cat 6A
< 7.5 mm



VDIR580020

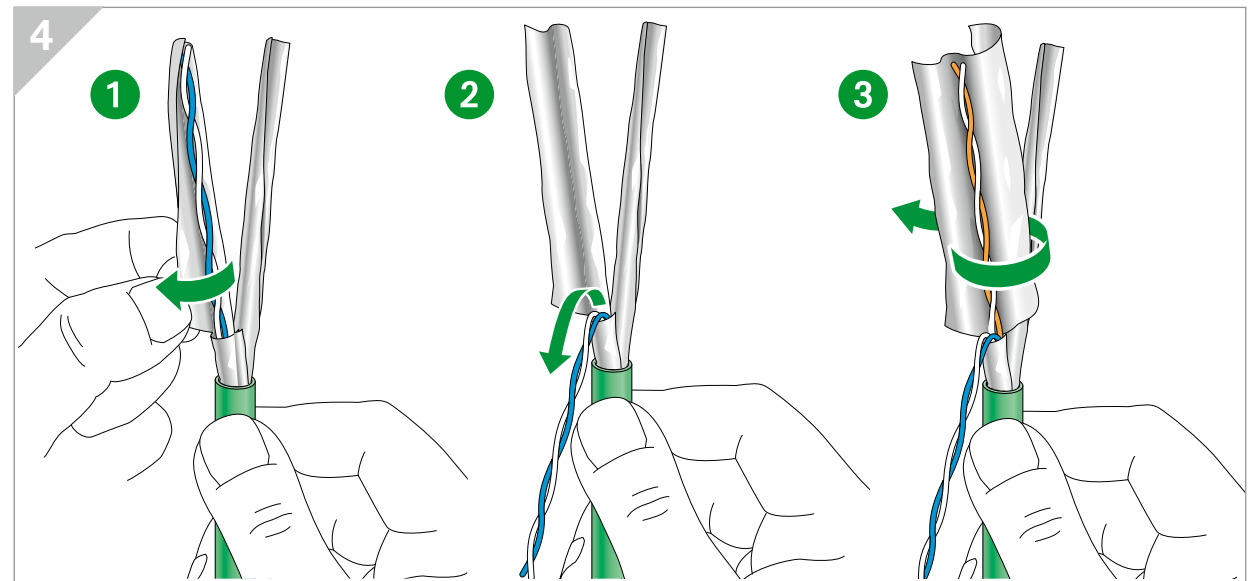
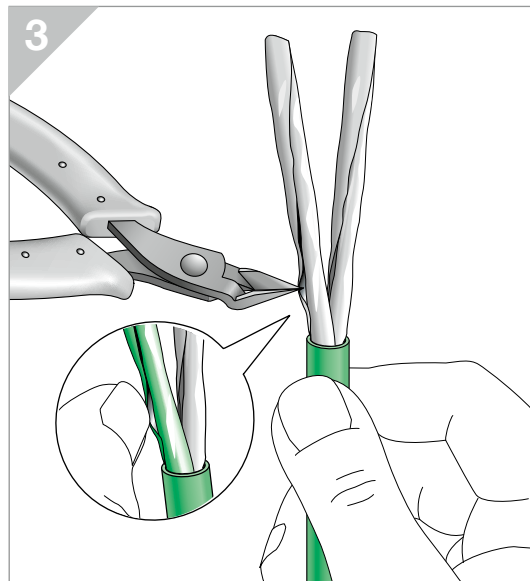
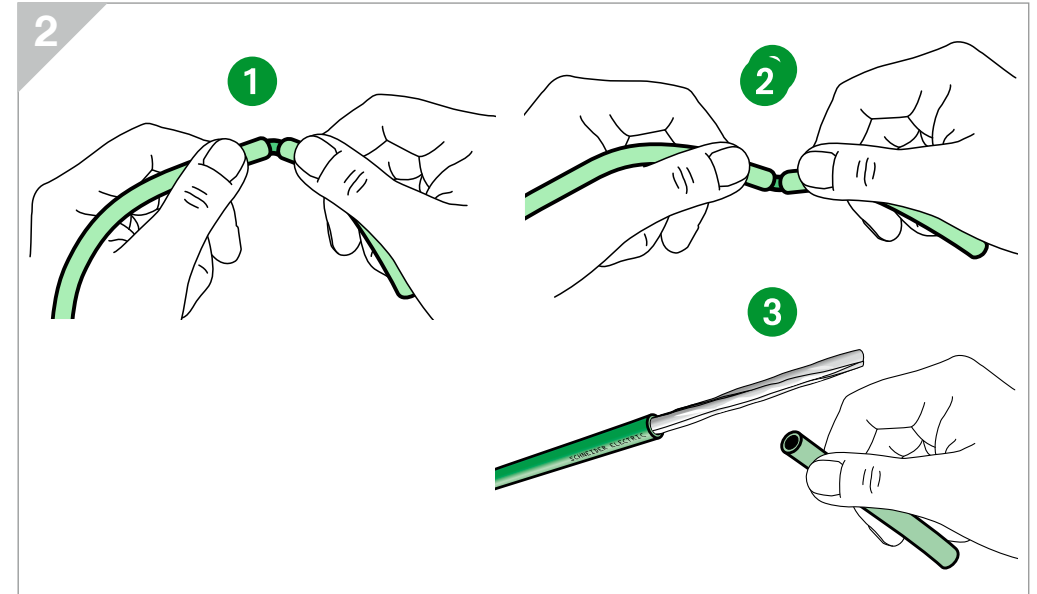
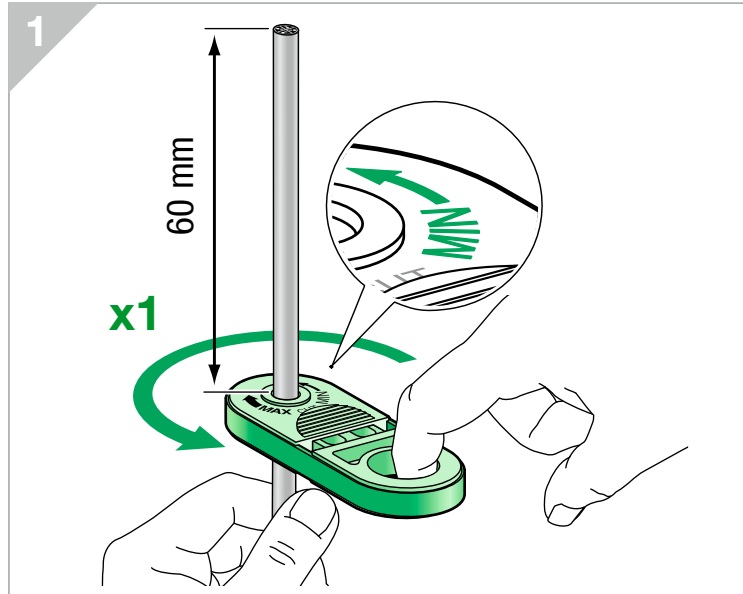
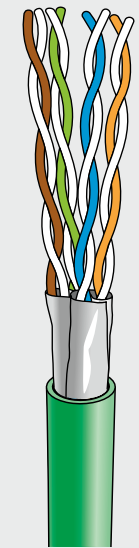
x1



Cable preparation

U/UTP

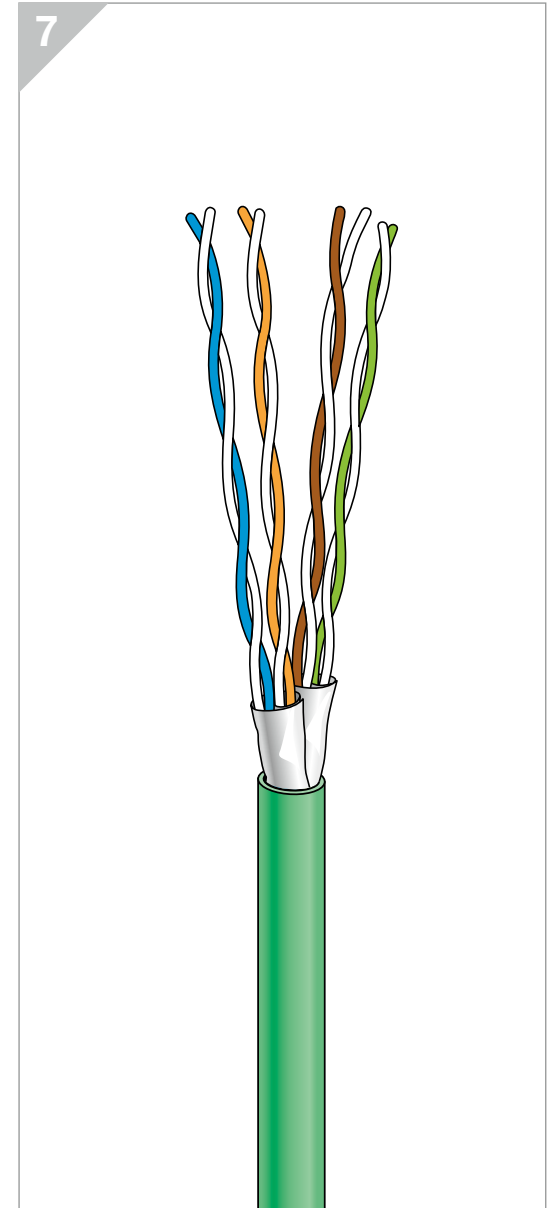
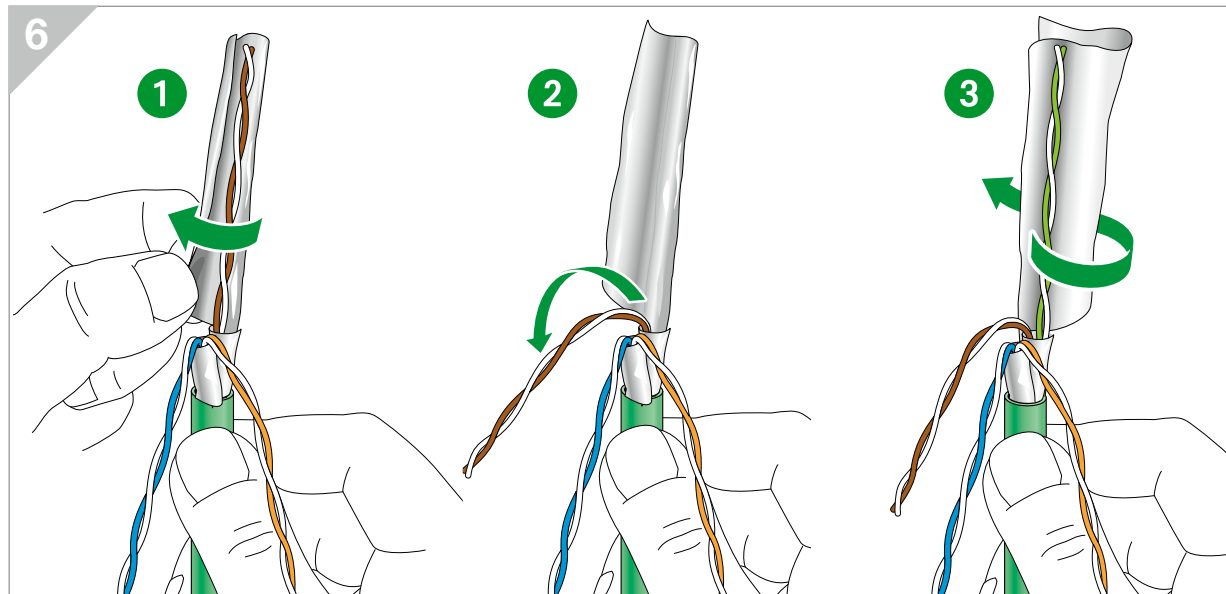
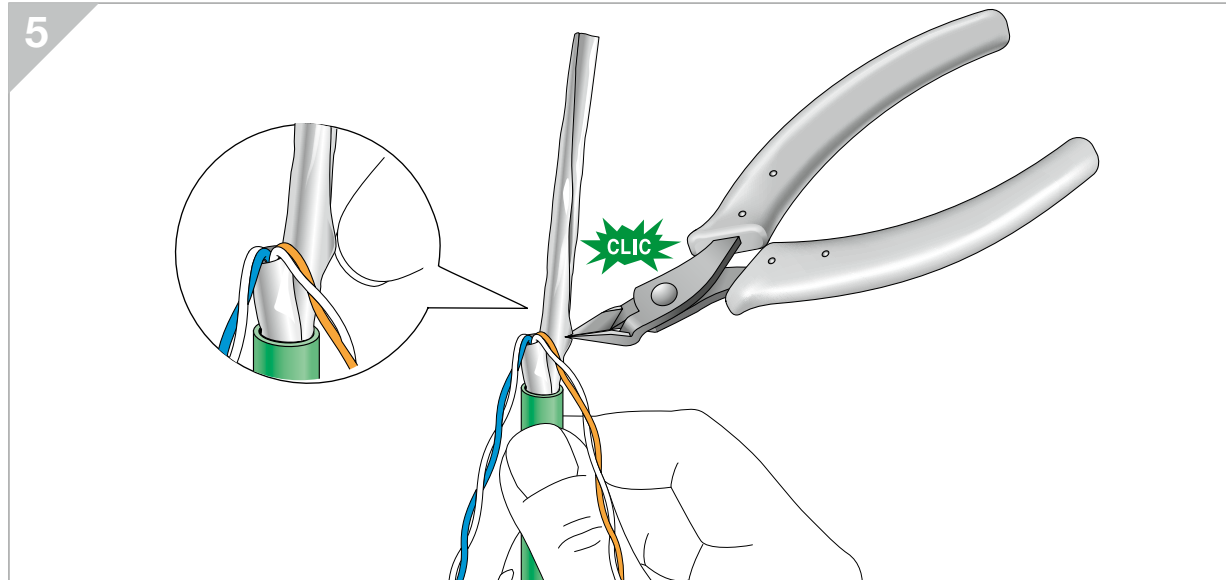
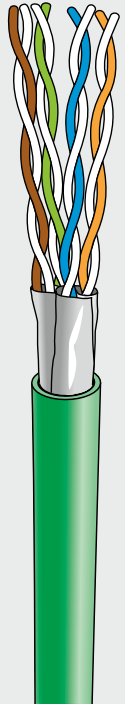
Cat 6A



Cable preparation

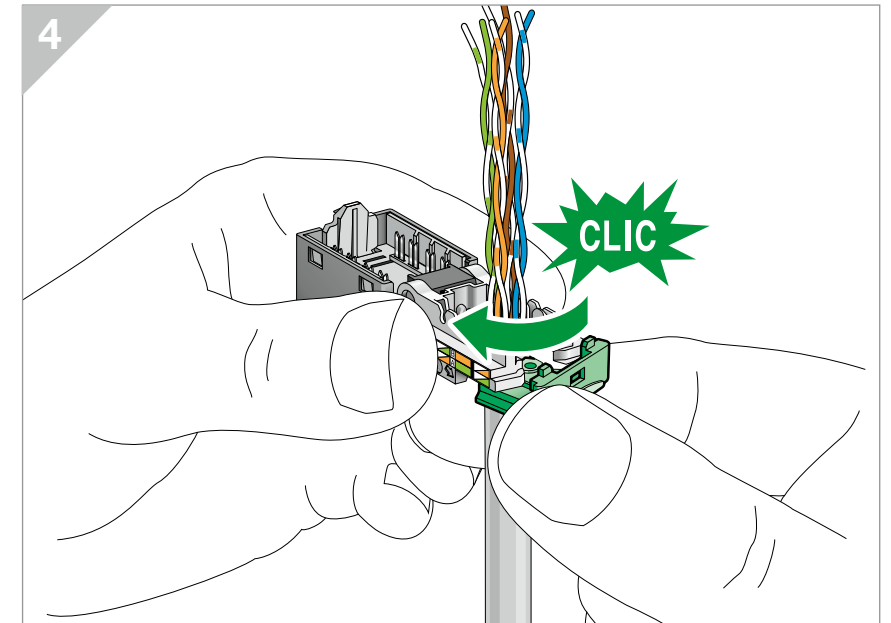
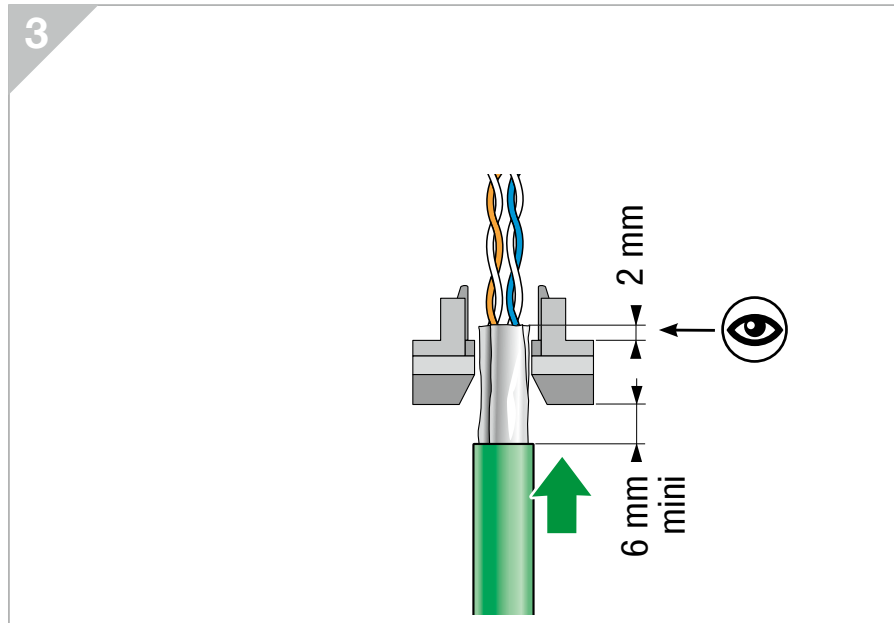
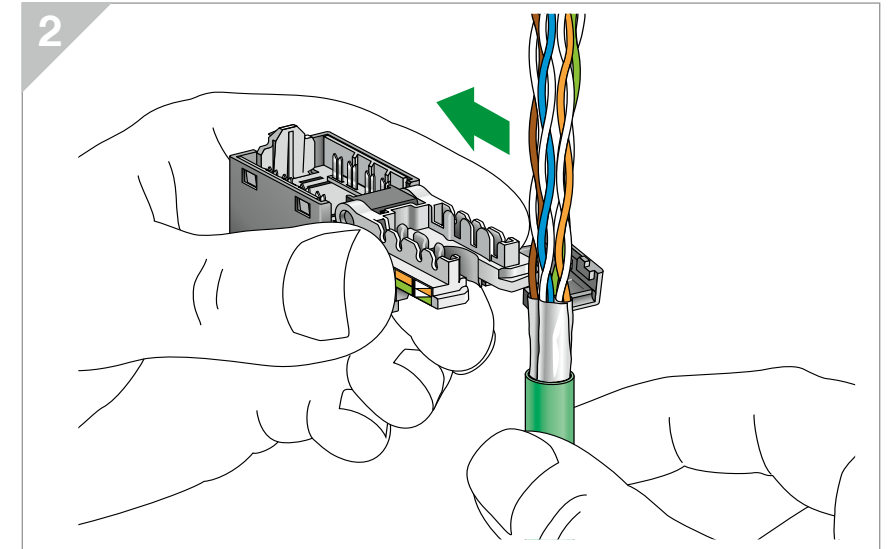
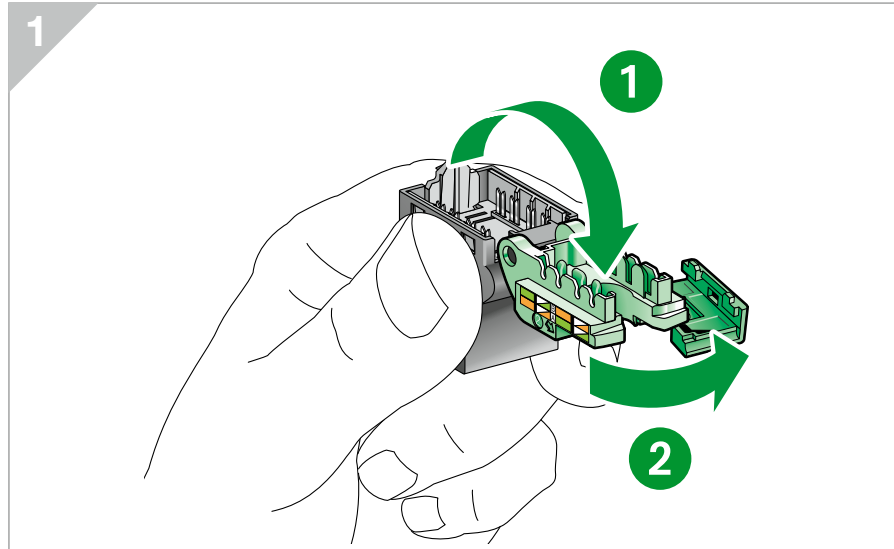
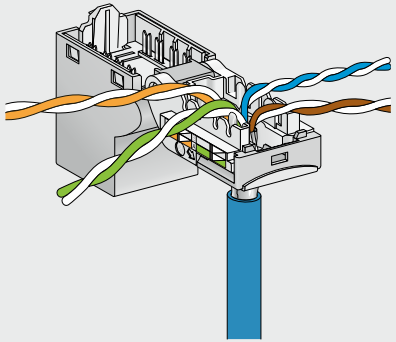
U/UTP

Cat 6A



Connector termination

U/UTP

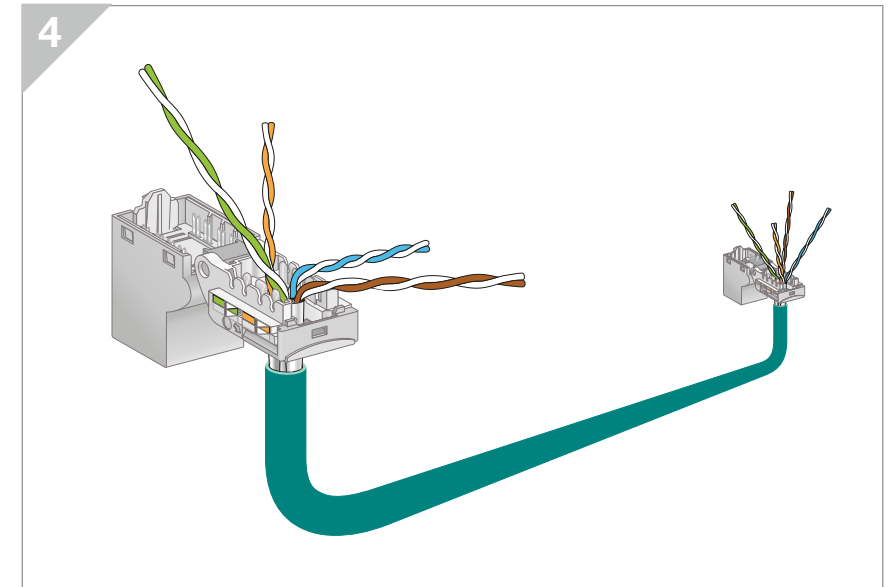
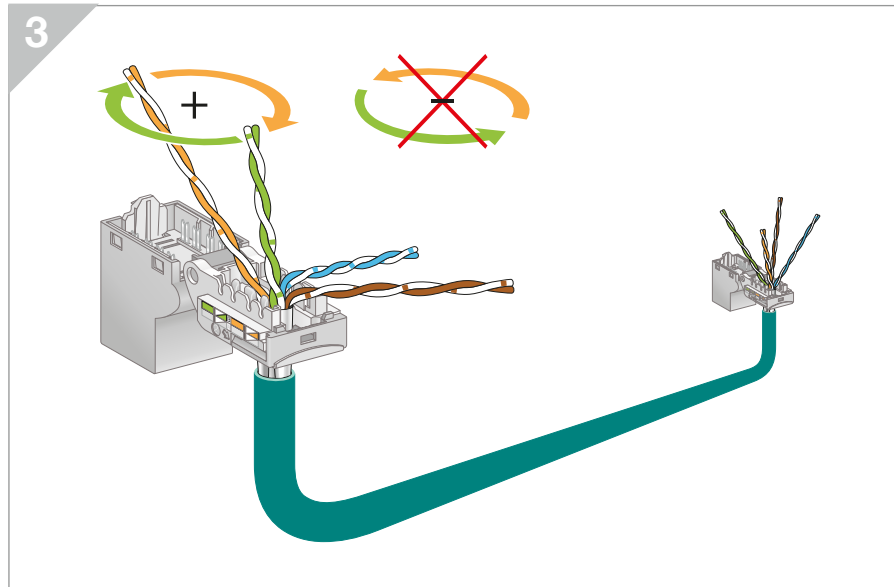
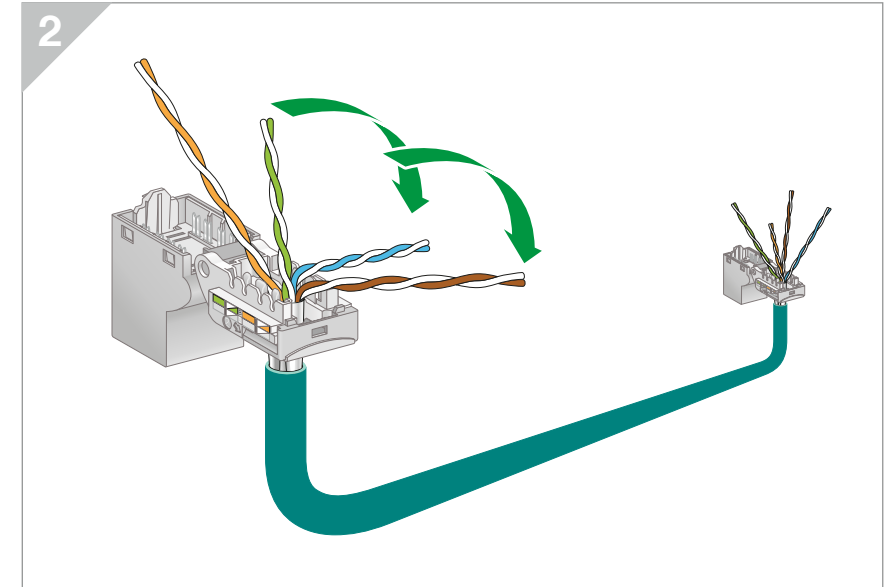
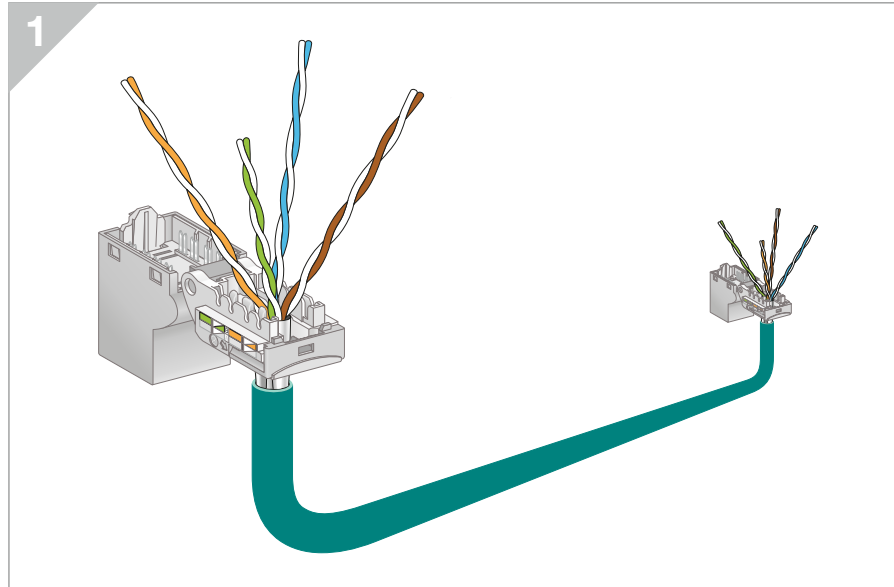
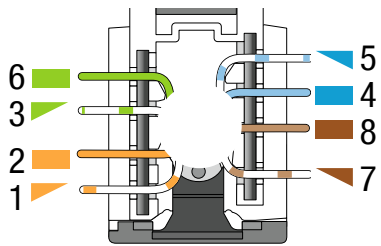


Pairs crossing

U/UTP

How to prepare a U/UTP cable acc. to T568B wiring code to reach high performance

EIA-TIA 568B (100Ω)

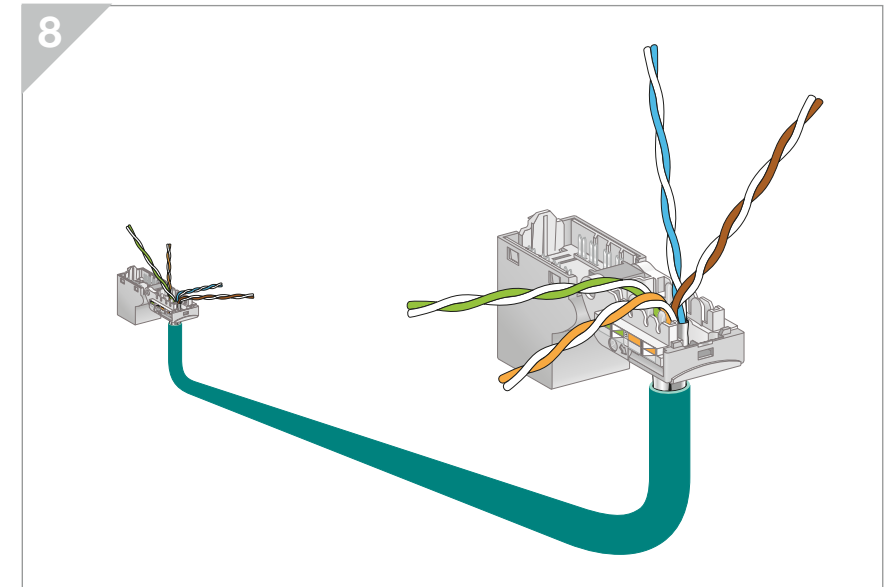
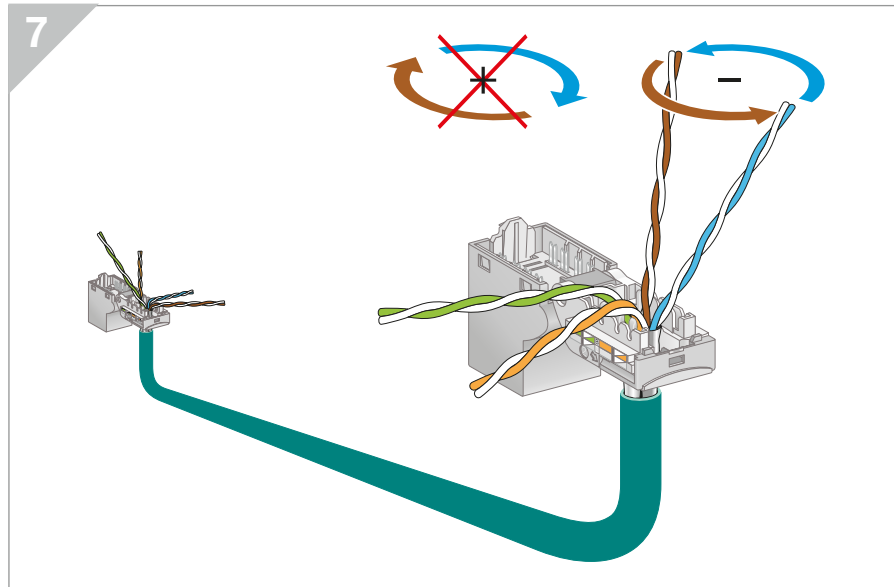
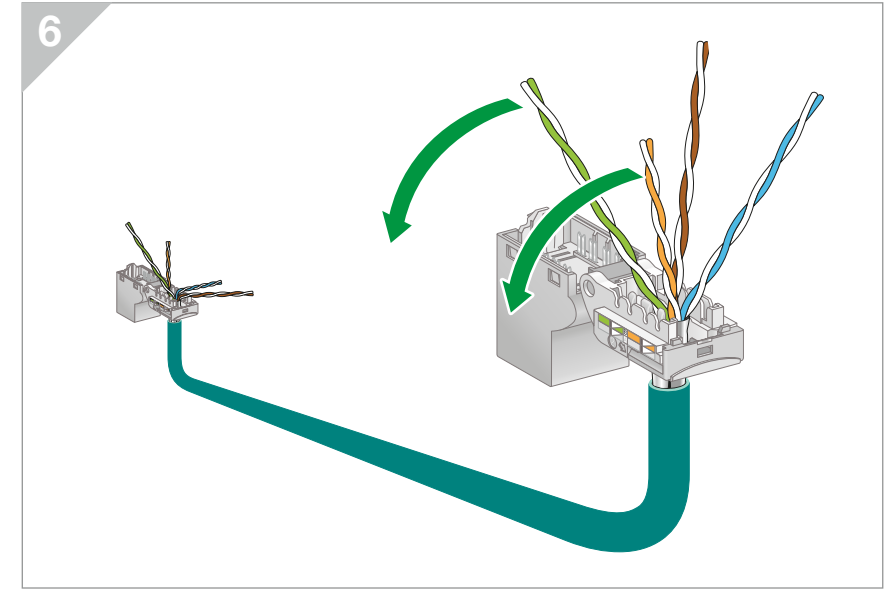
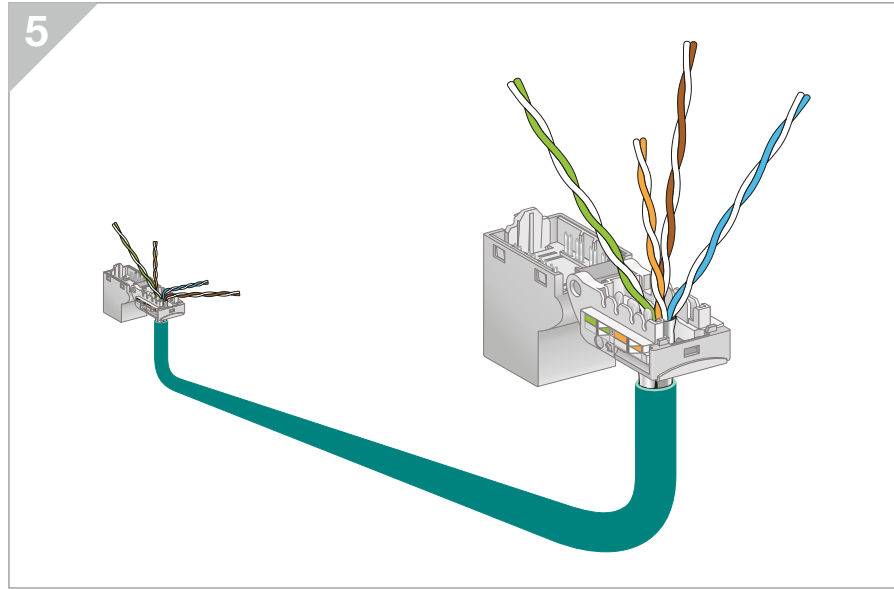
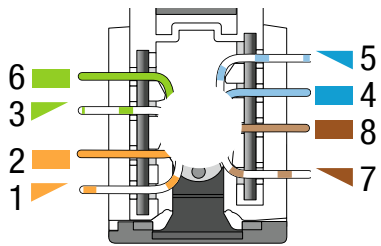


Pairs crossing

U/UTP

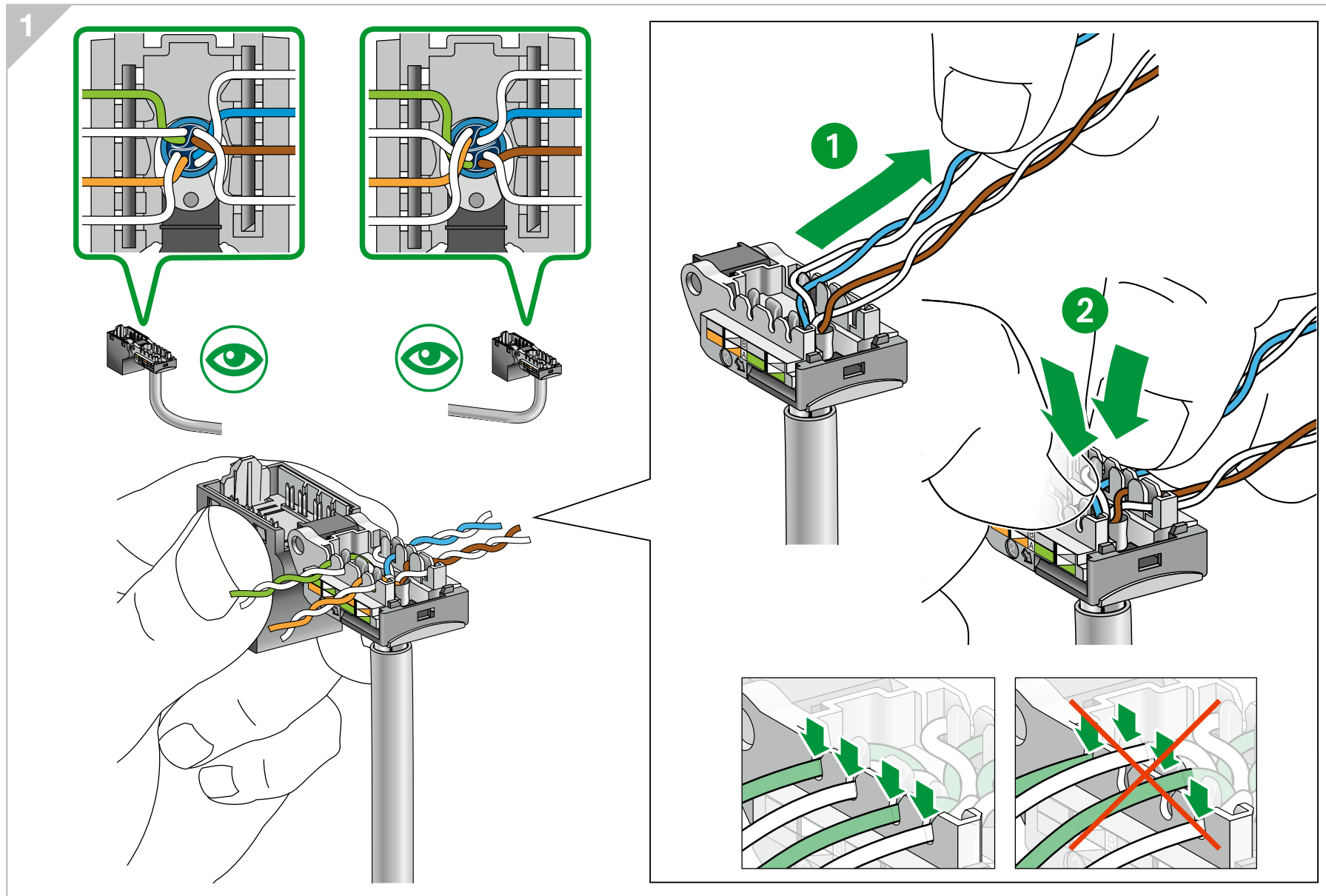
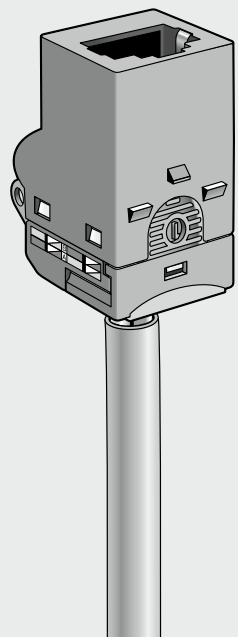
How to prepare a U/UTP cable acc. to T568B wiring code to reach high performance

EIA-TIA 568B (100Ω)



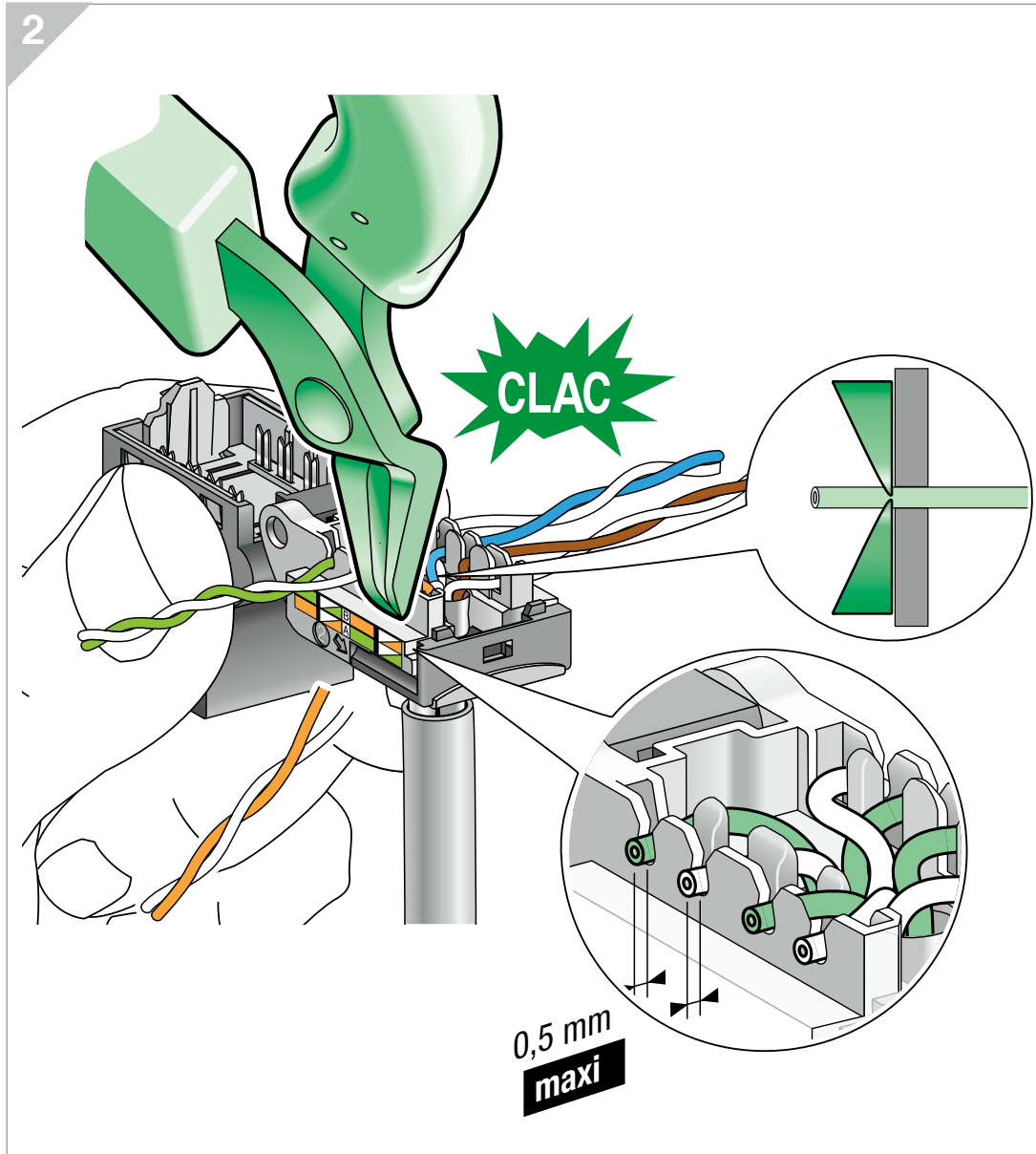
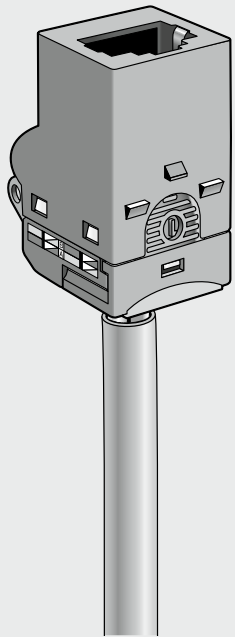
Connector connection

U/UTP



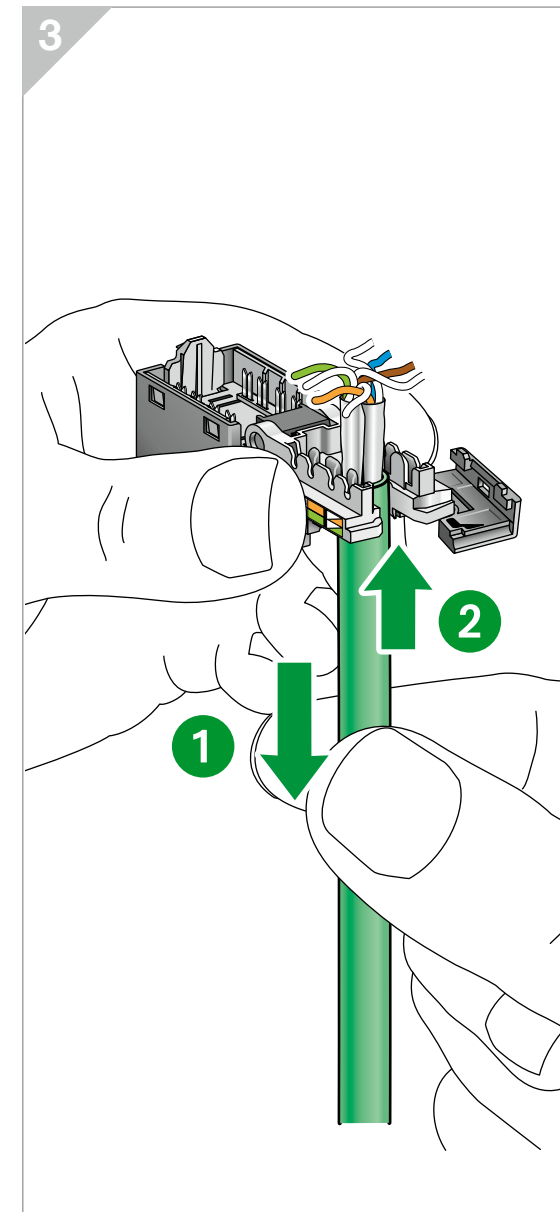
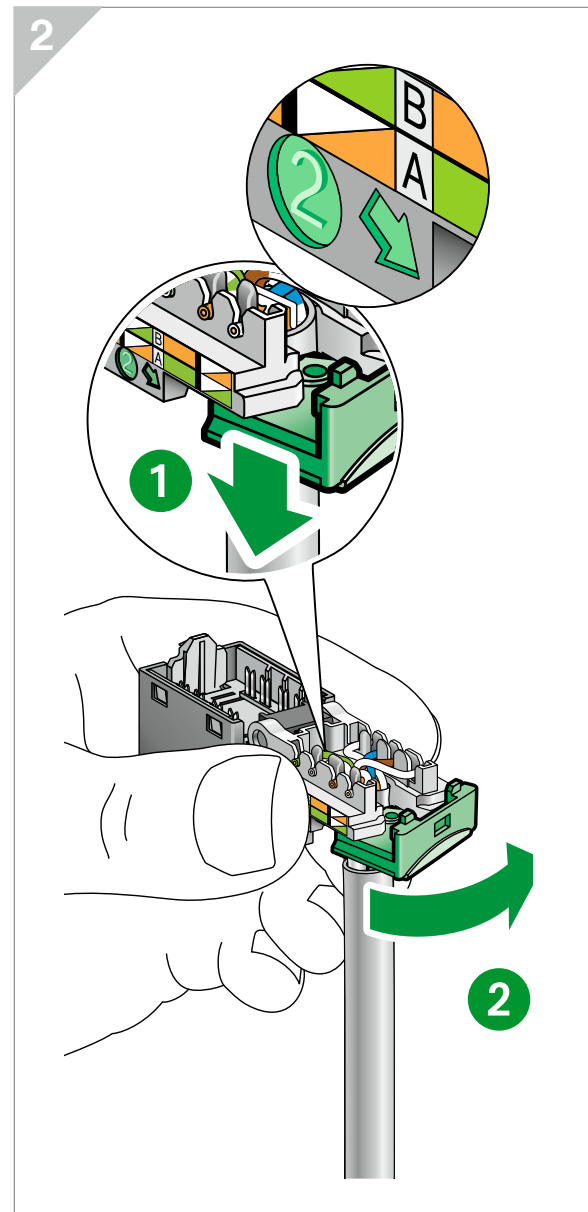
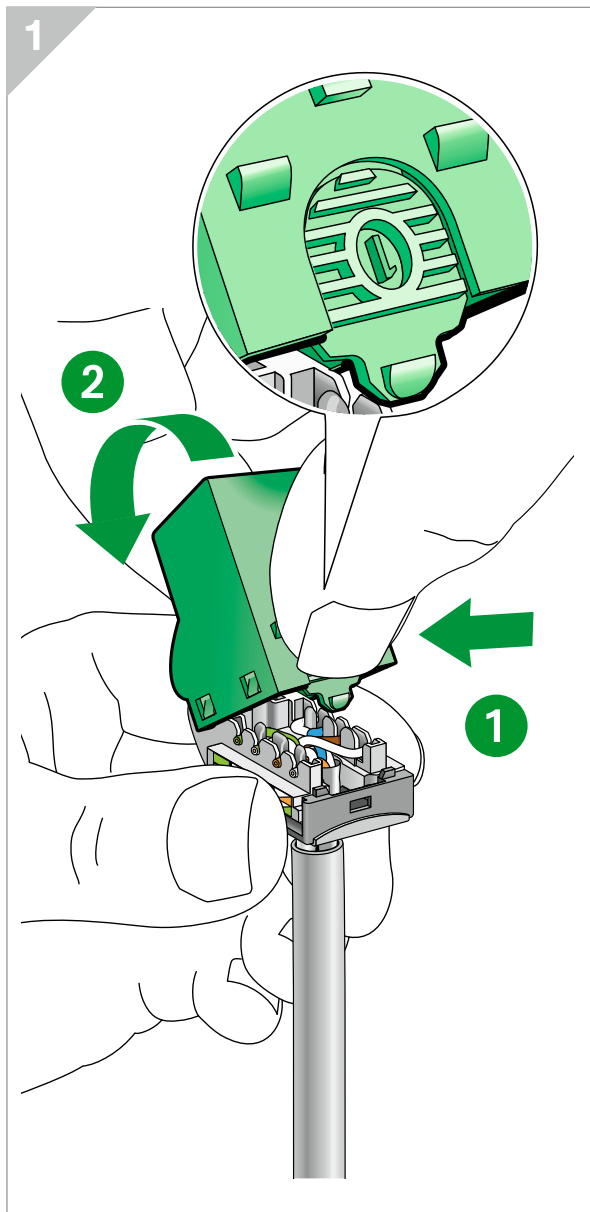
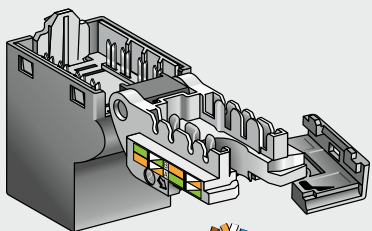
Connector connection

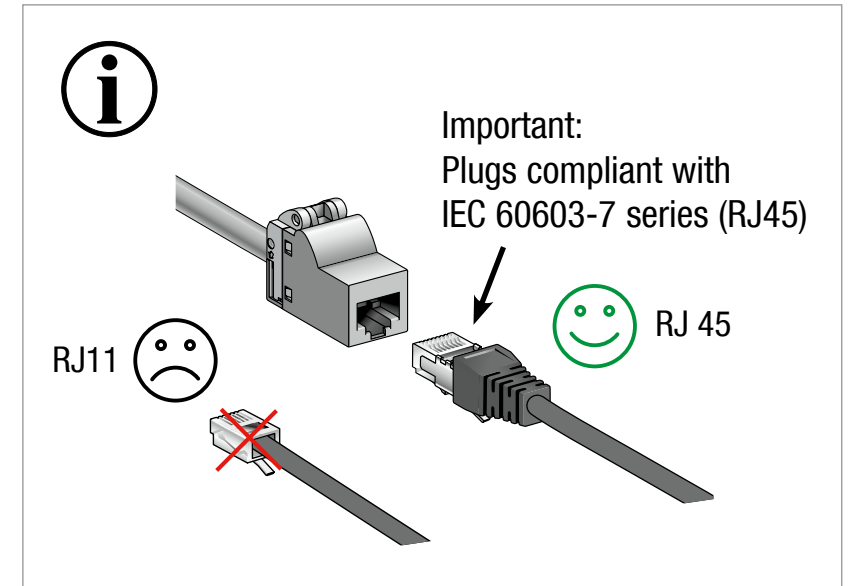
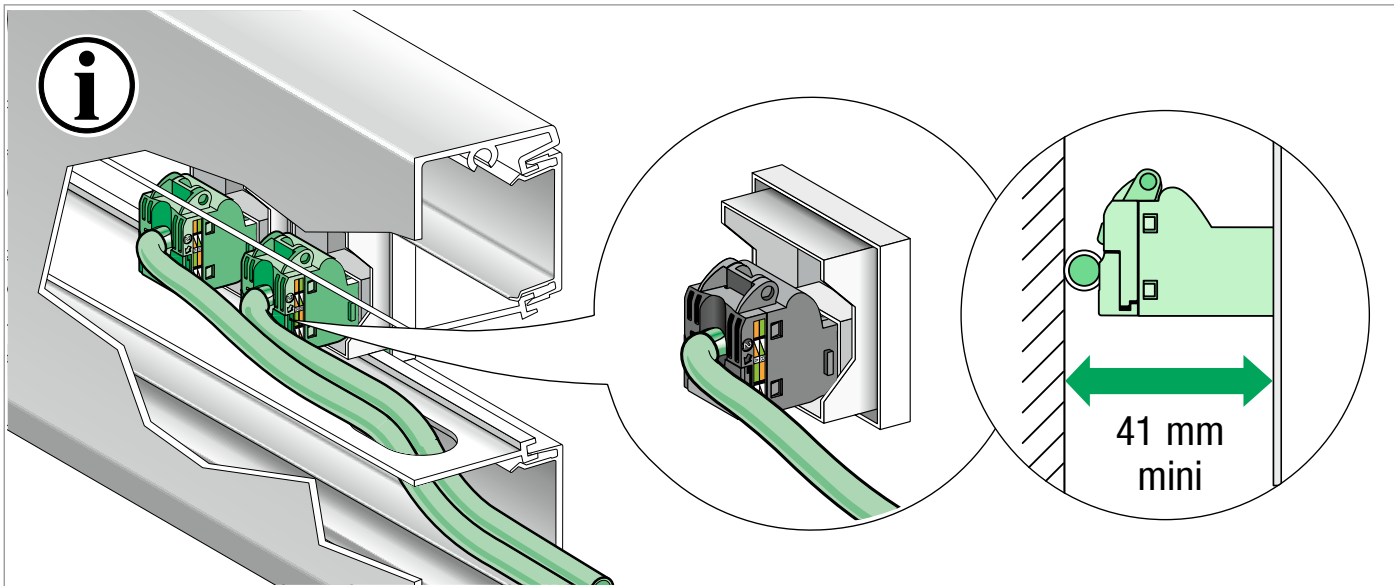
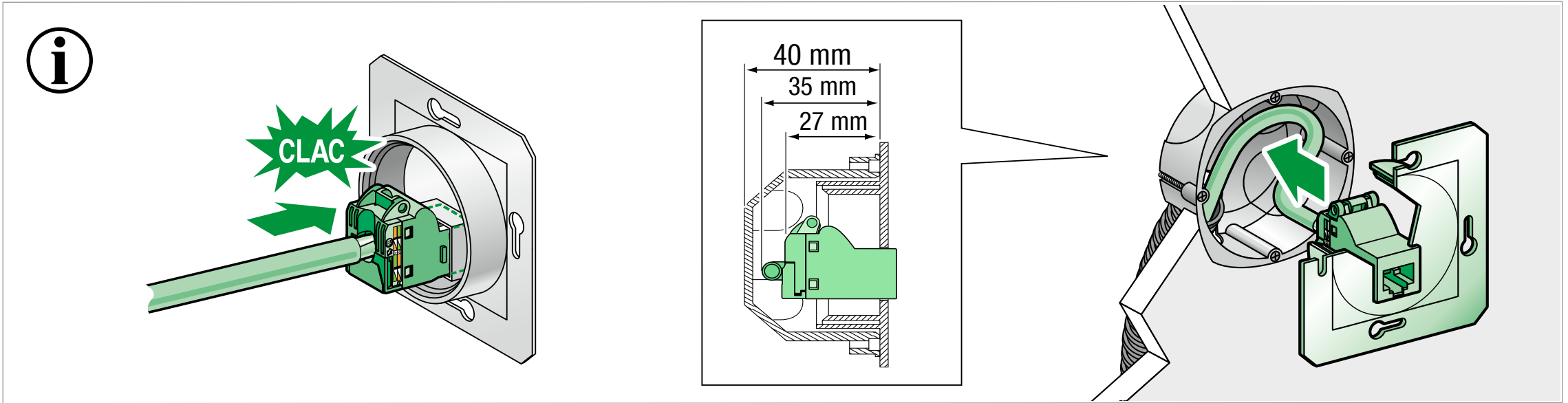
U/UTP



Connector disconnection

U/UTP

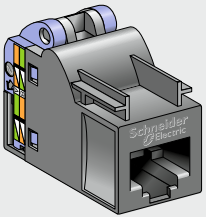




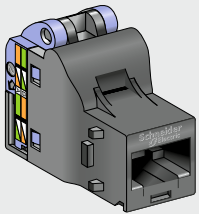
Composition

Unshielded connector

S-One

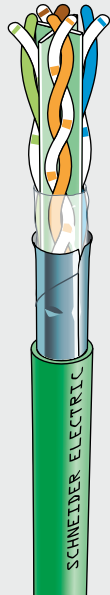


S-One DPM



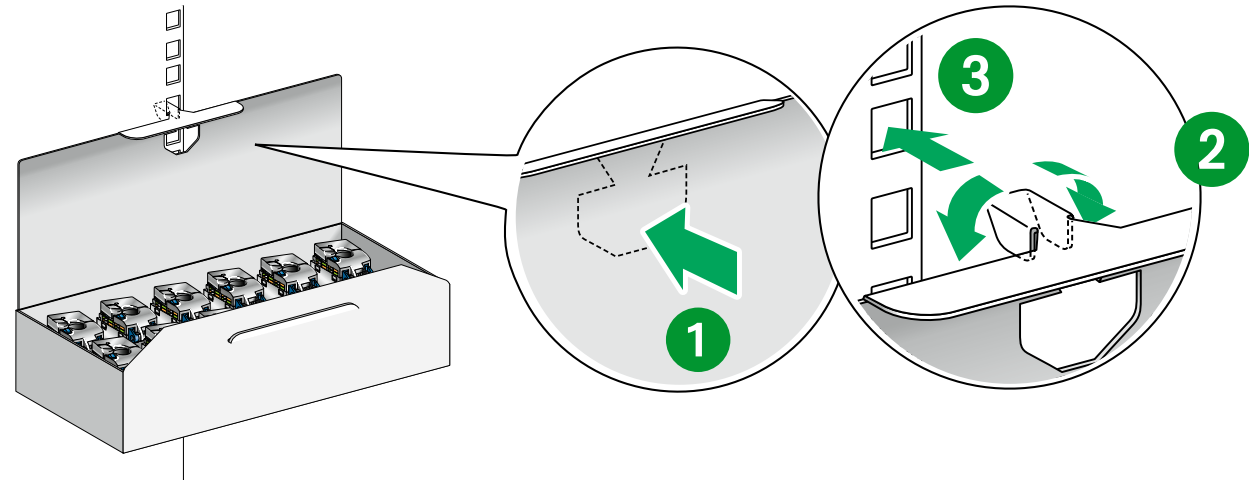
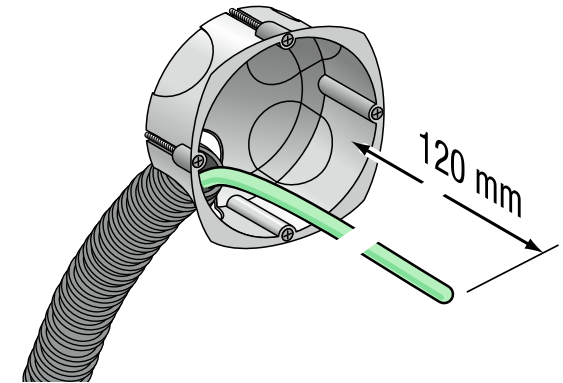
U/UTP

Cat 6A
> 7.5 mm



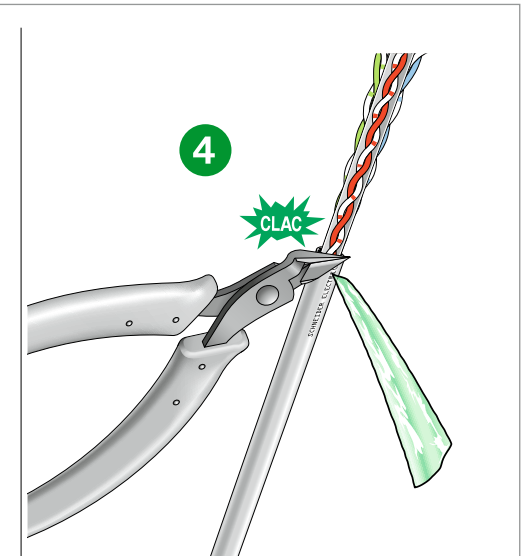
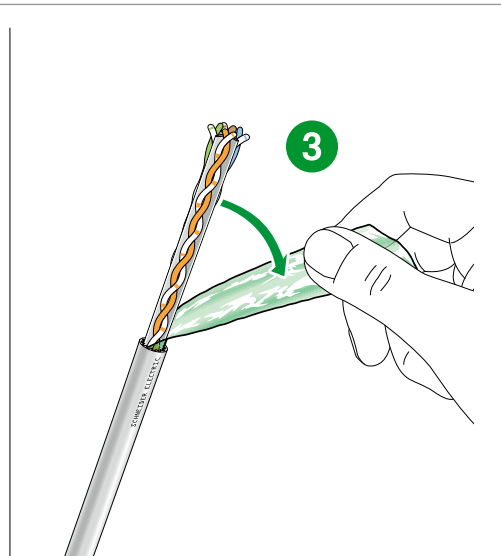
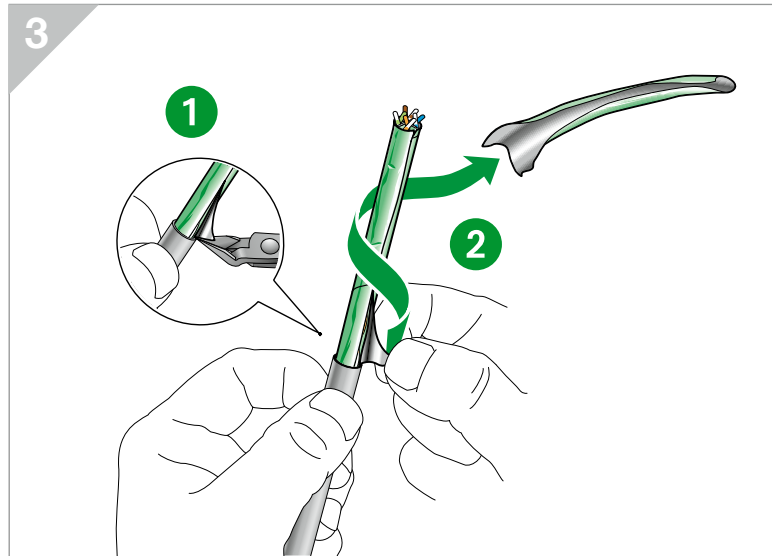
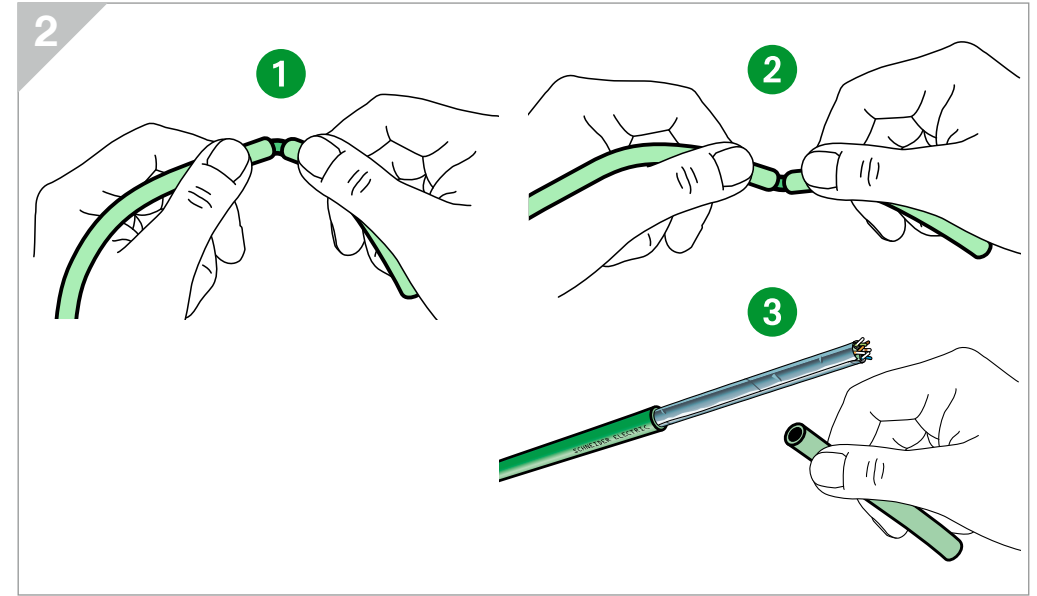
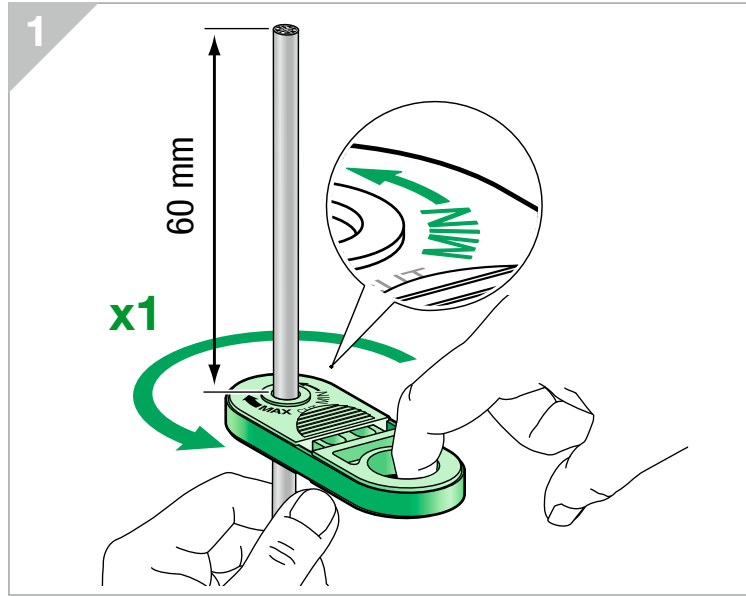
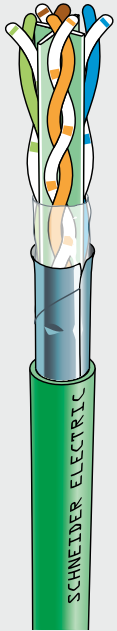
VDIR580020

x1



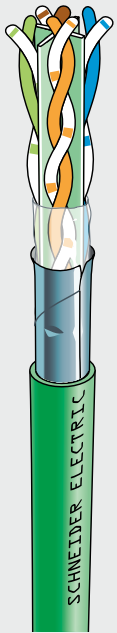
Cable preparation

U/UTP

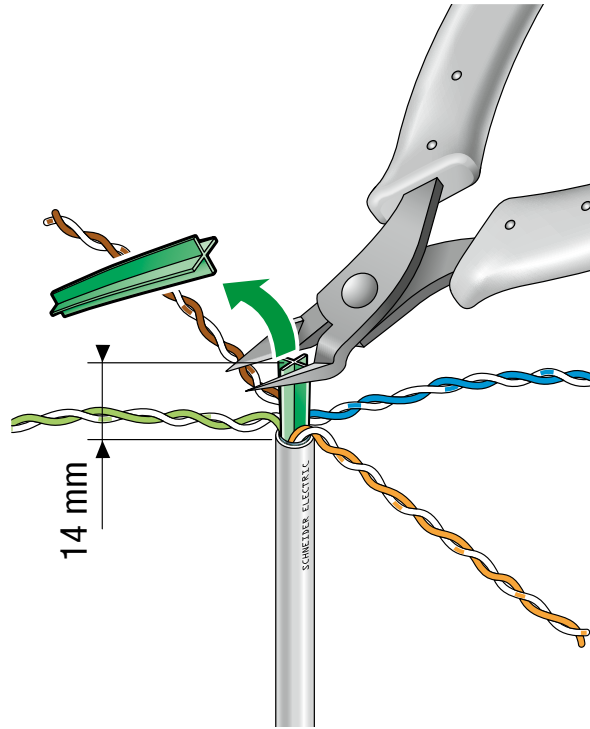
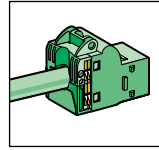


Cable preparation

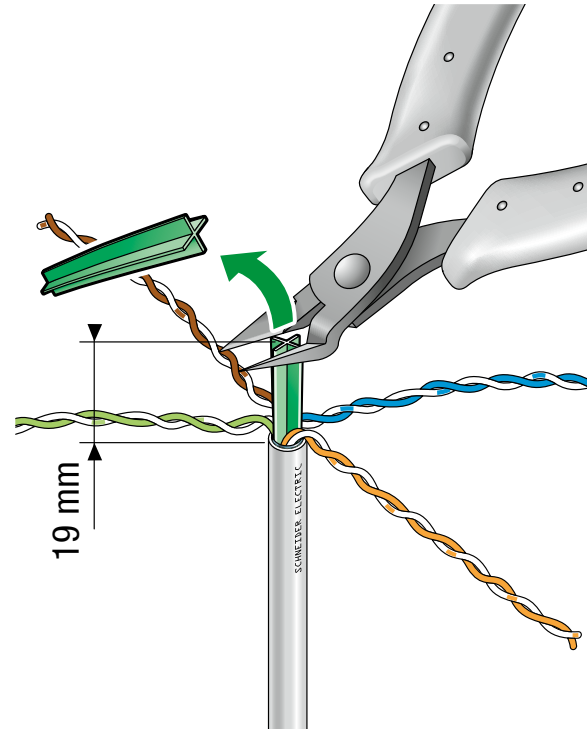
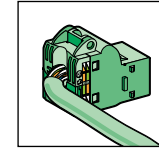
U/UTP



4

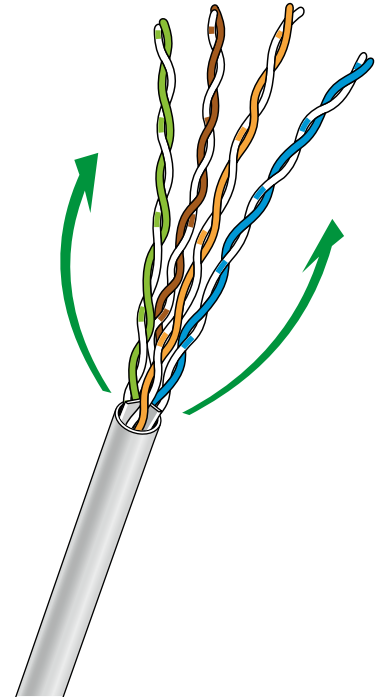


Ø > 7.5 mm



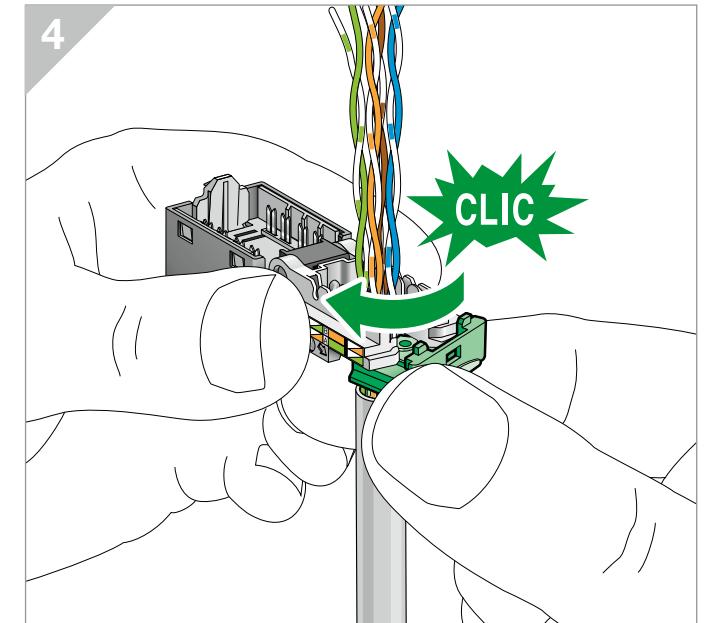
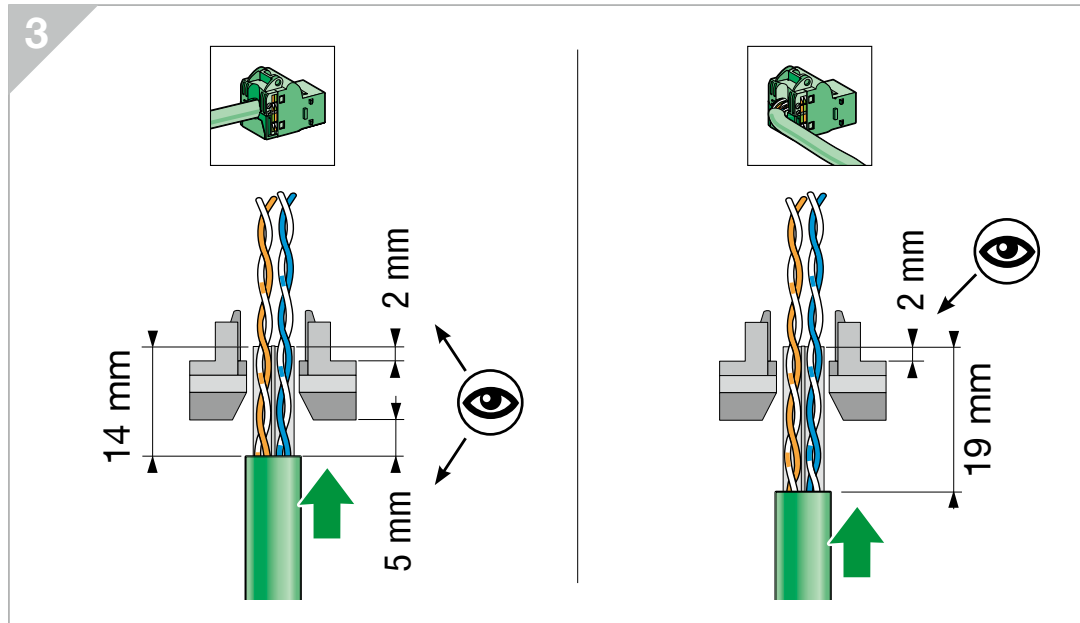
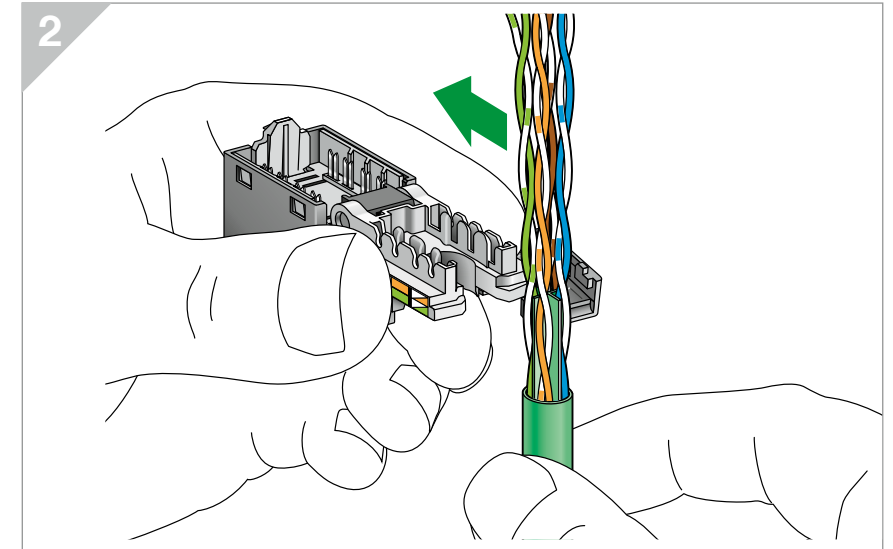
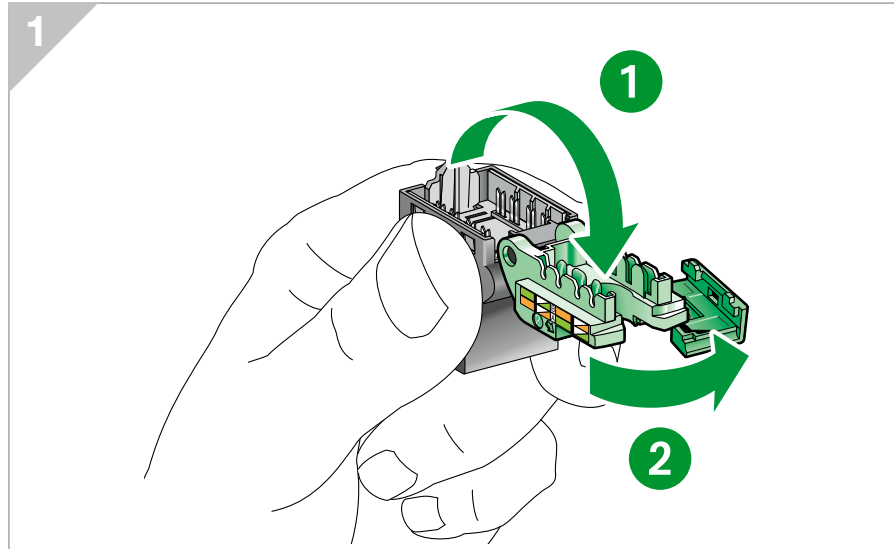
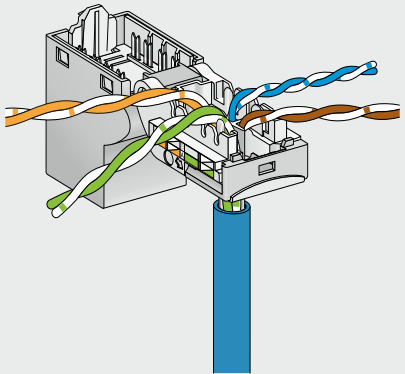
Ø > 7.5 mm

5



Connector termination

U/UTP

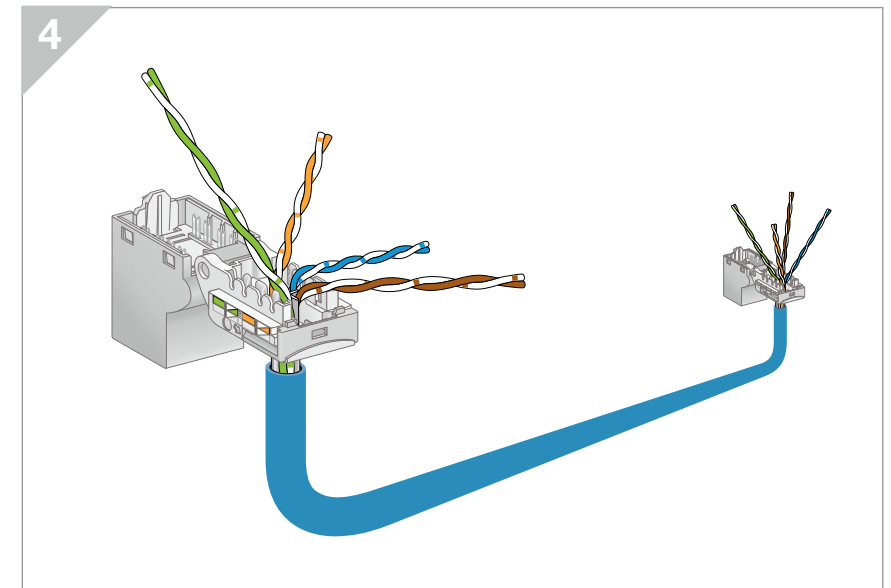
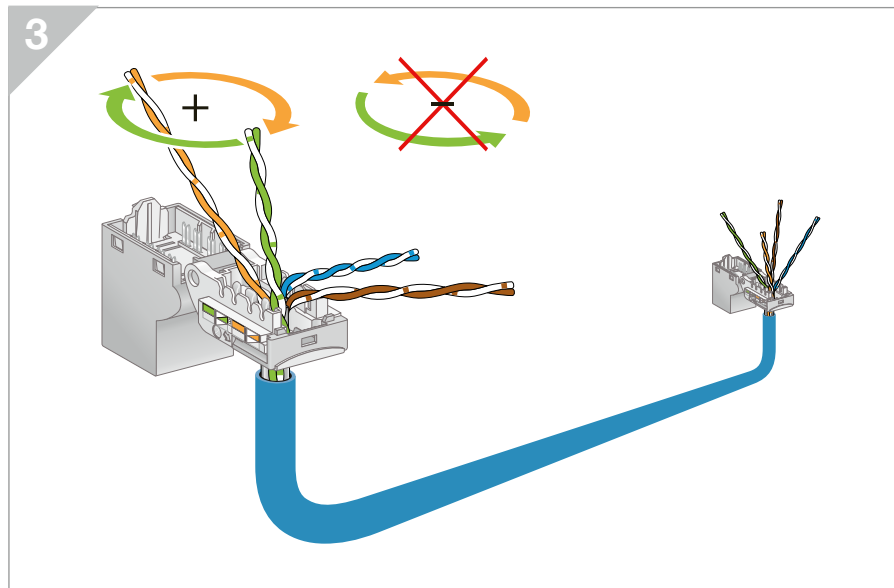
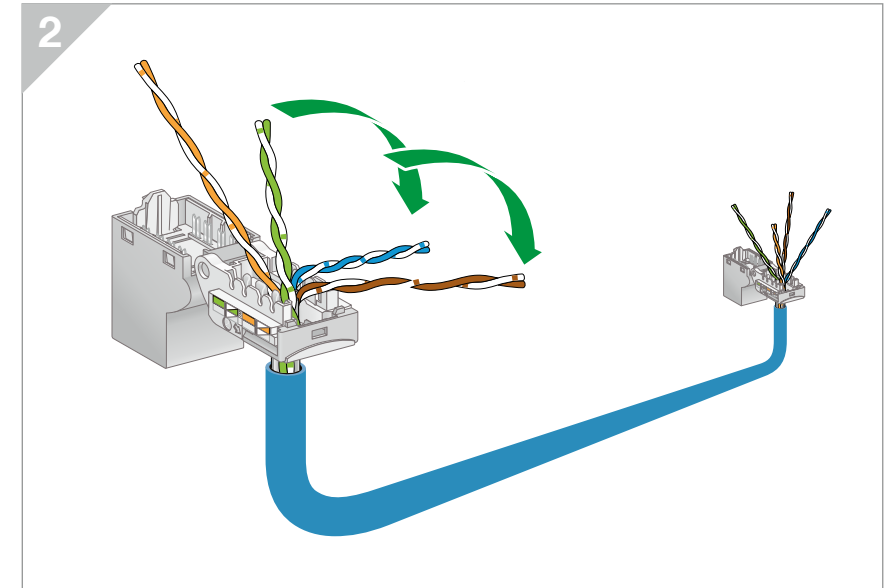
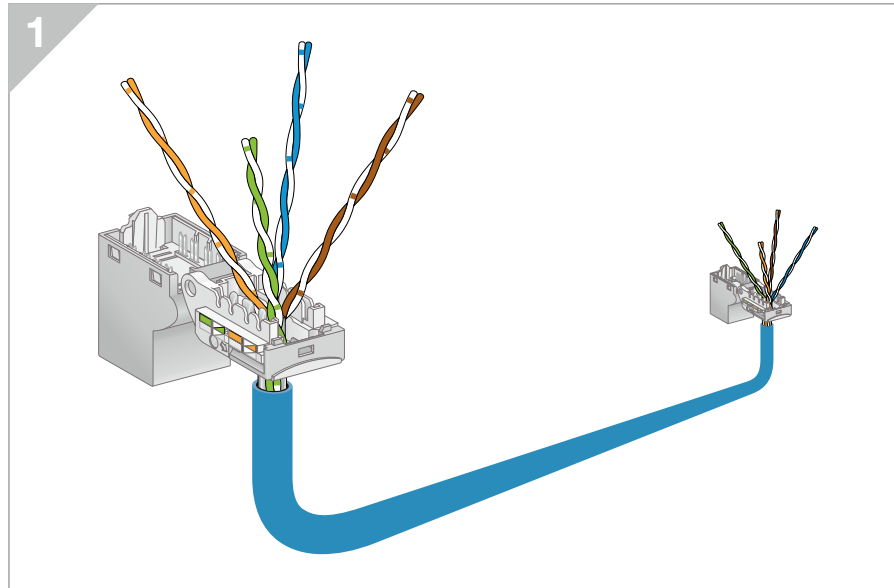
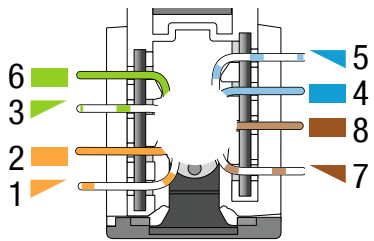


Pairs crossing

U/UTP

How to prepare a U/UTP cable acc. to T568B wiring code to reach high performance

EIA-TIA 568B (100Ω)

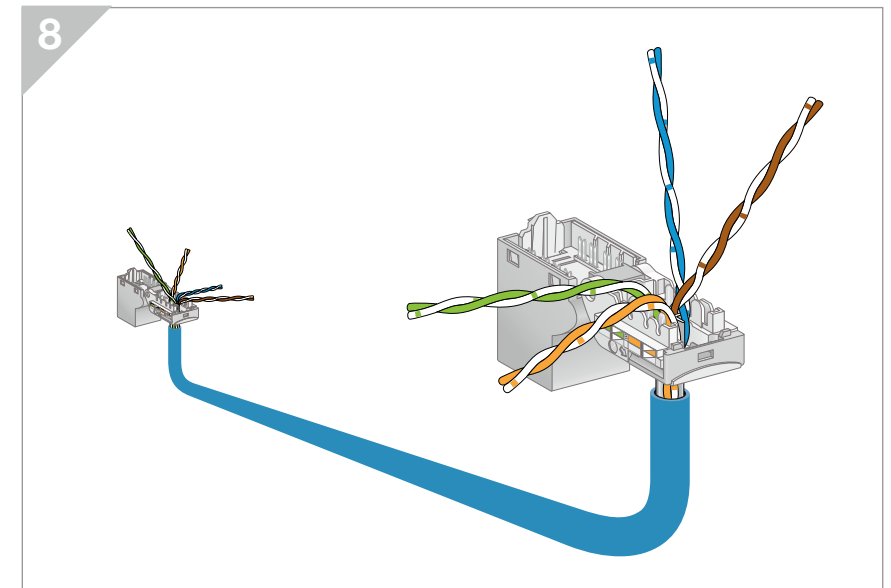
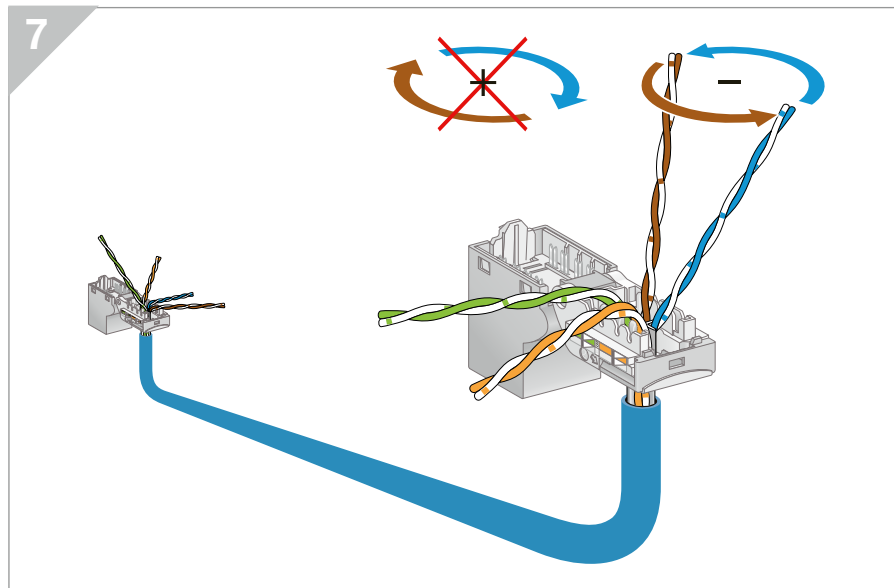
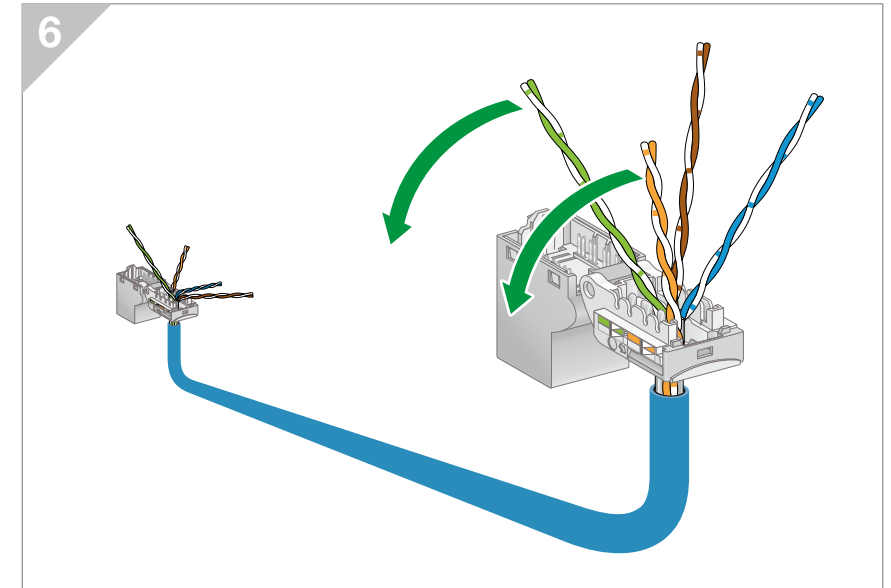
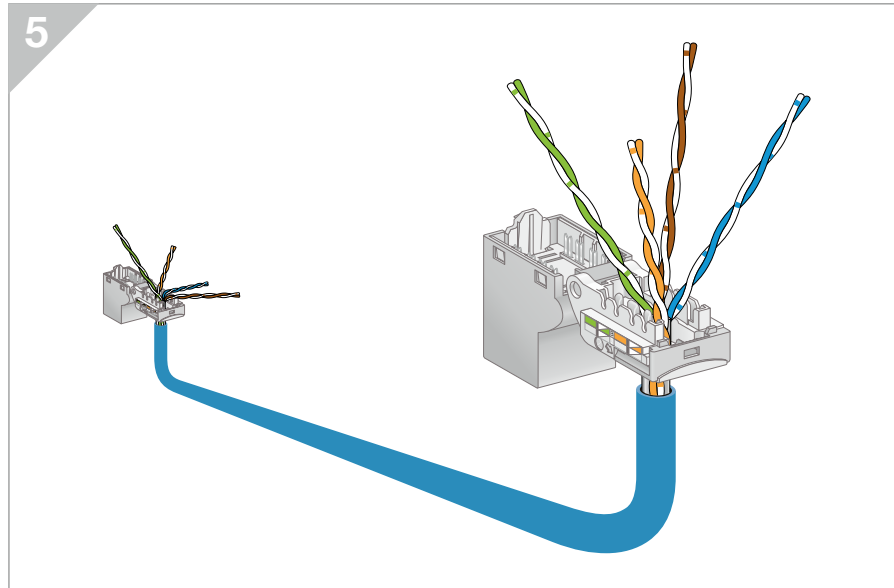
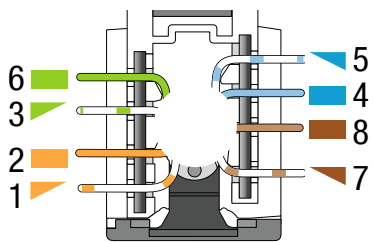


Pairs crossing

U/UTP

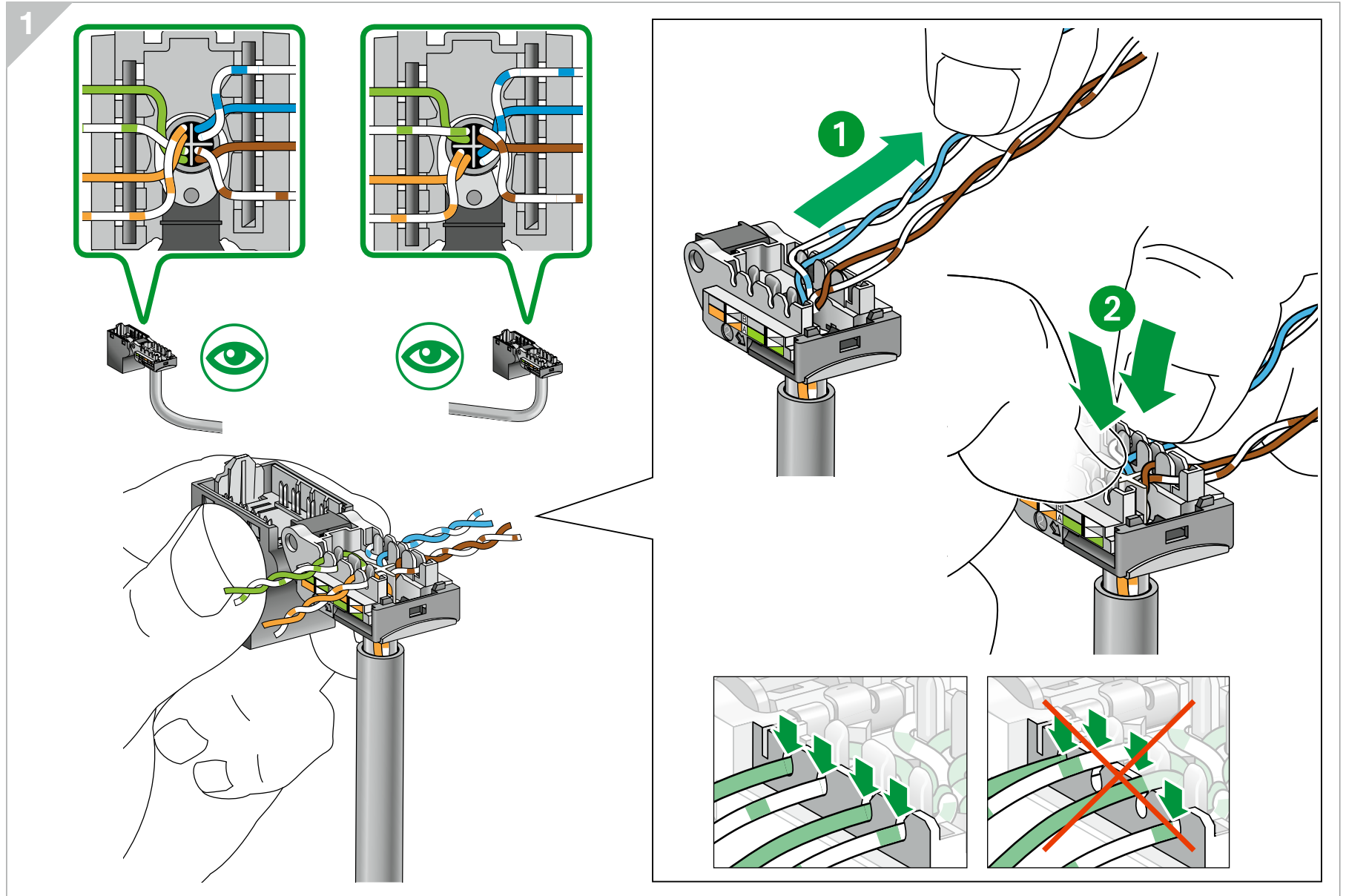
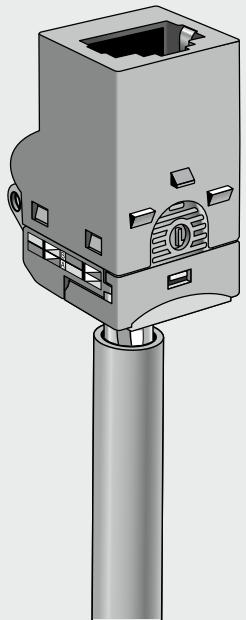
How to prepare a U/UTP cable acc. to T568B wiring code to reach high performance

EIA-TIA 568B (100Ω)



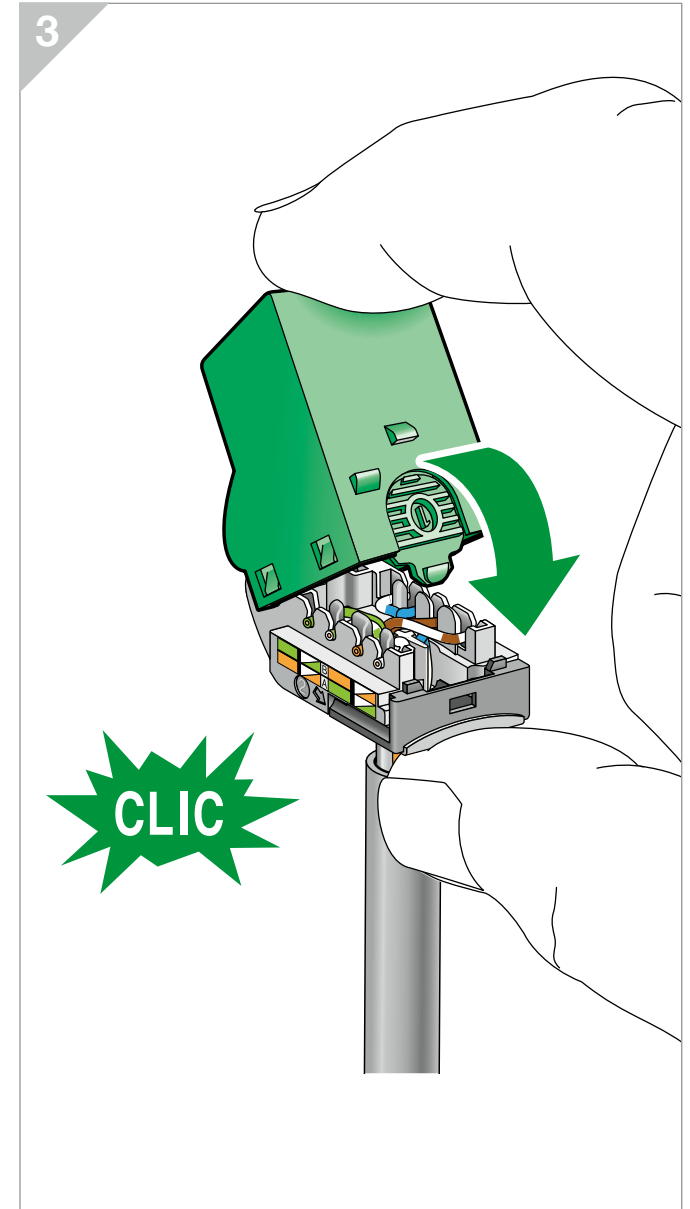
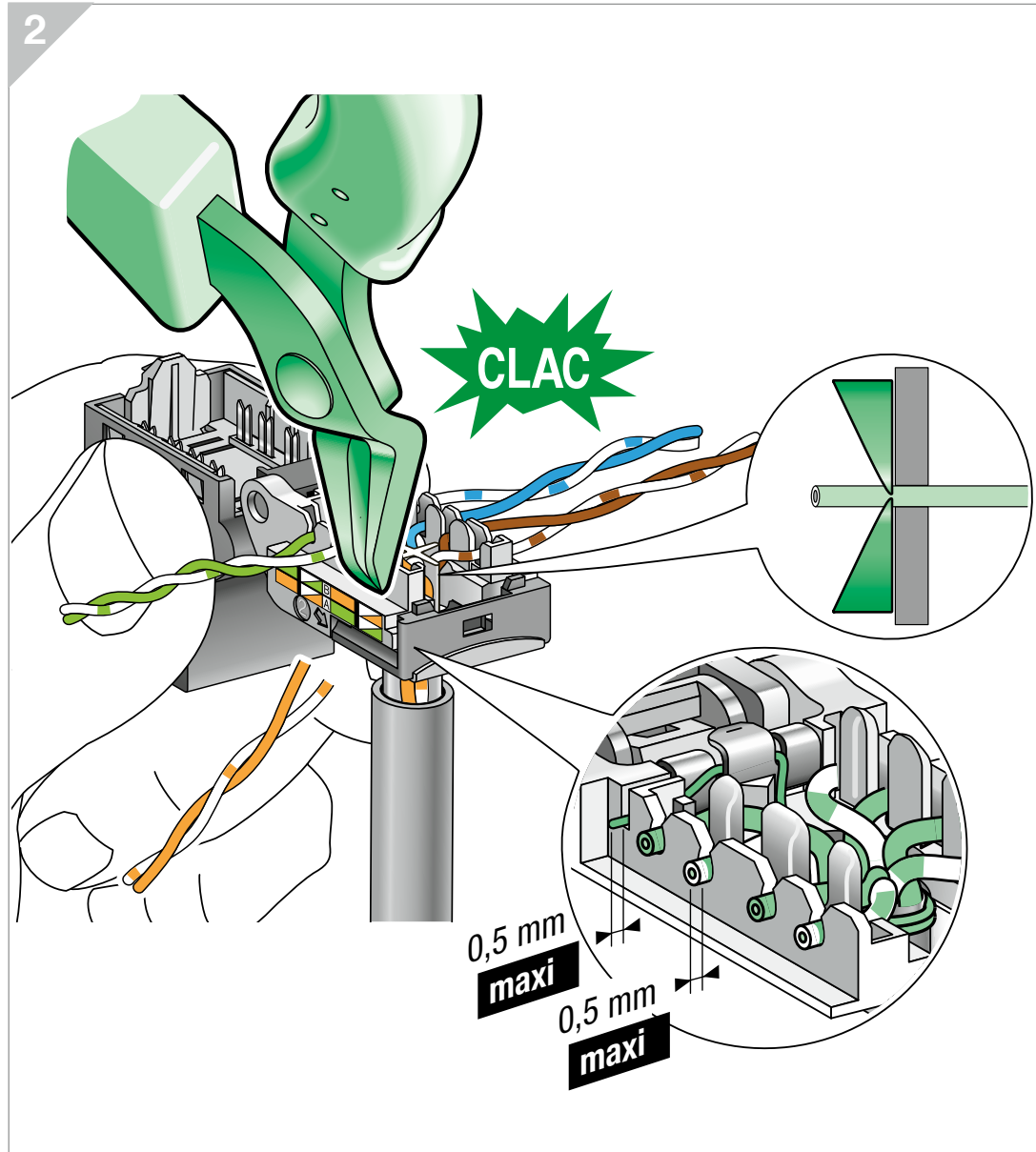
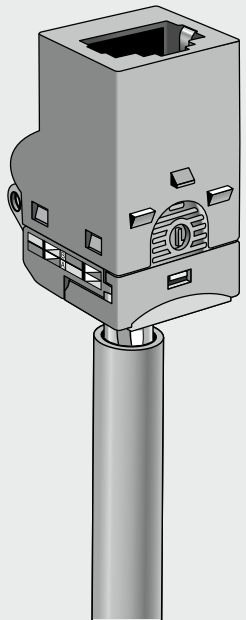
Connector connection

U/UTP



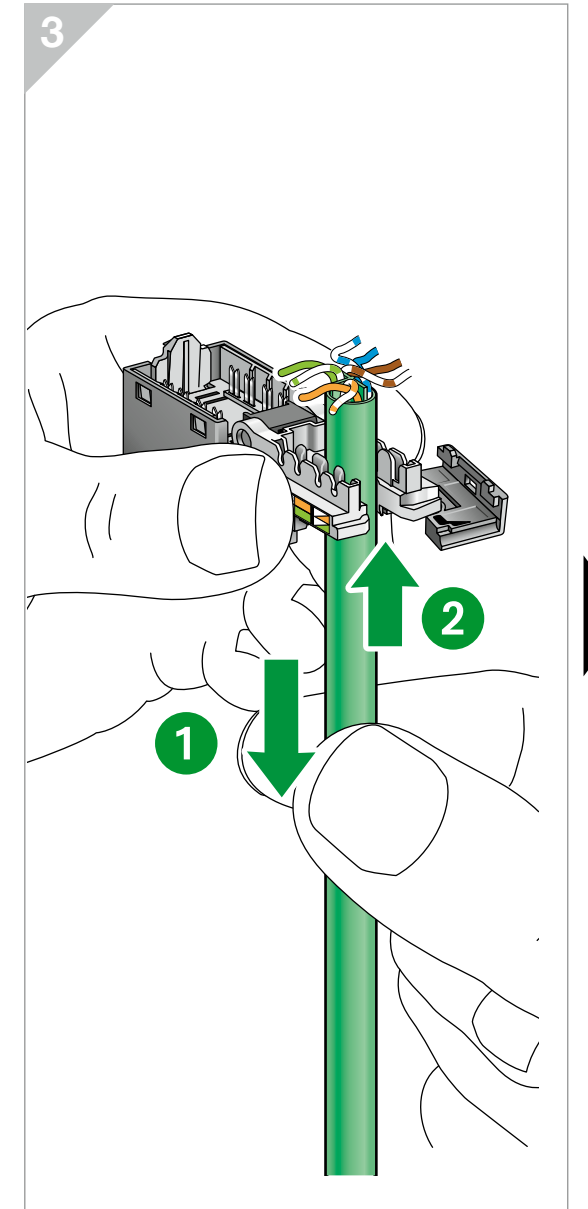
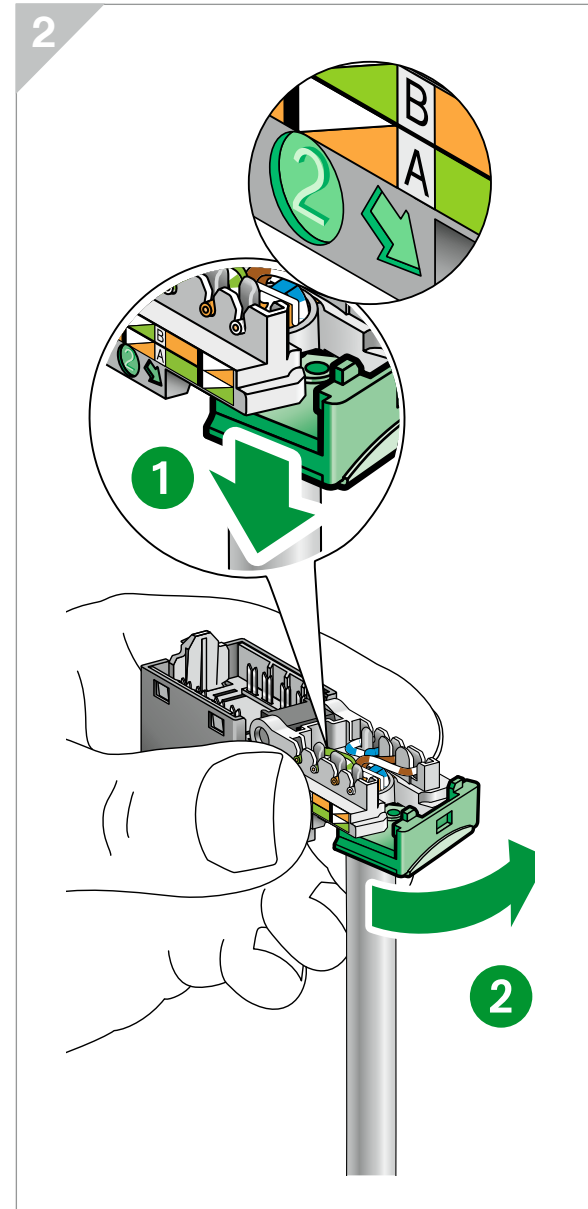
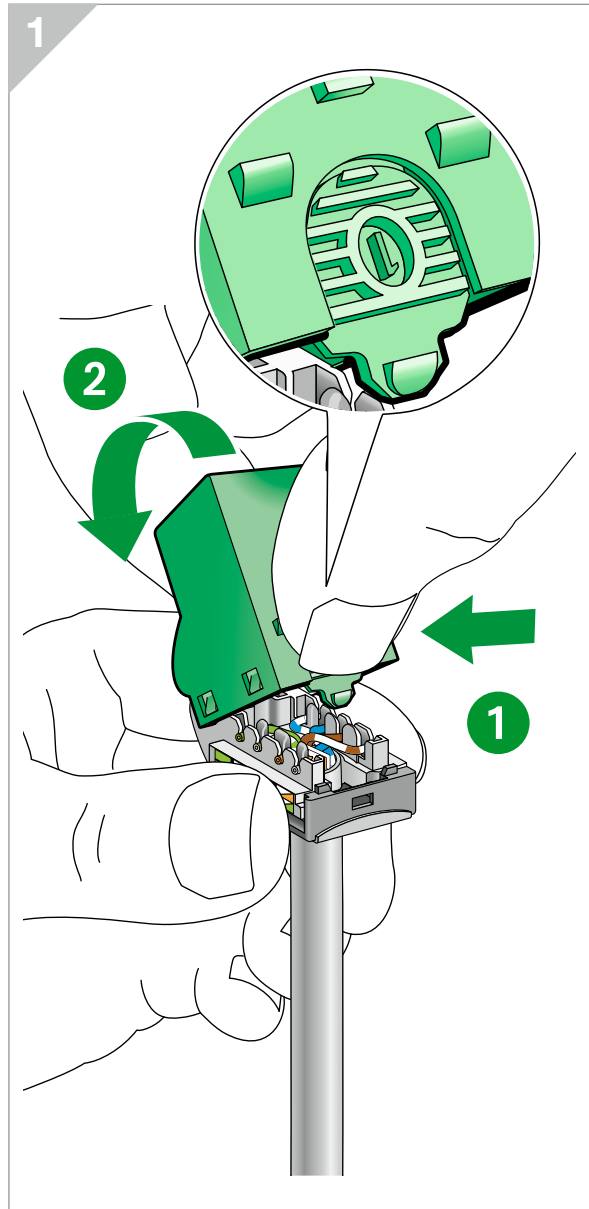
Connector connection

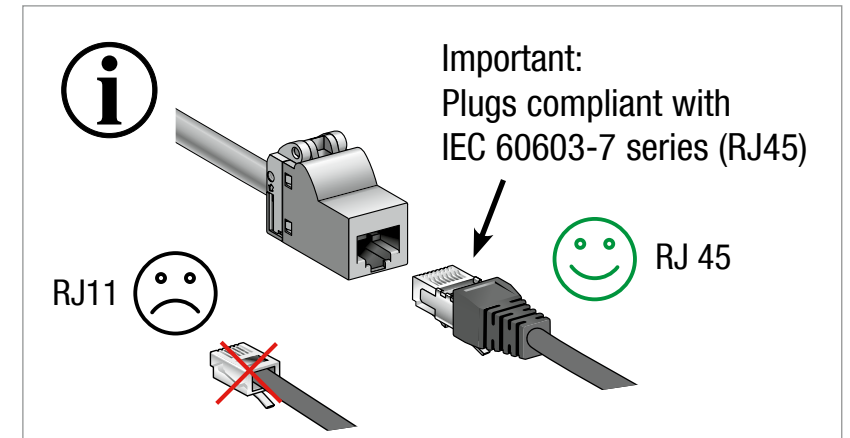
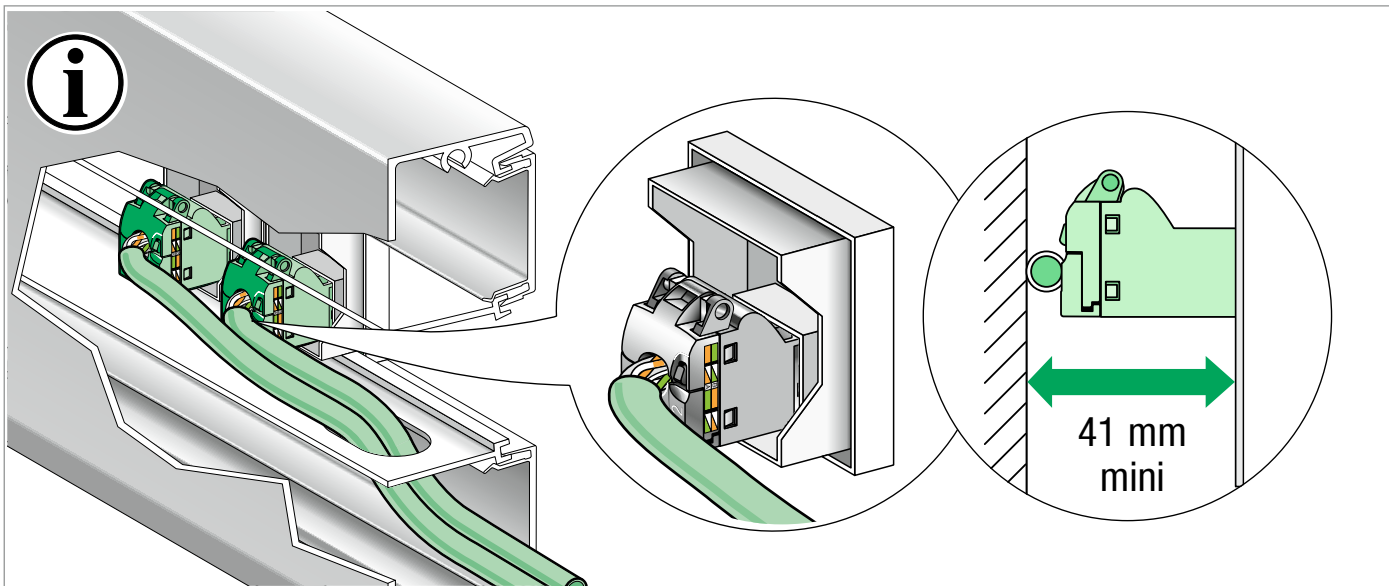
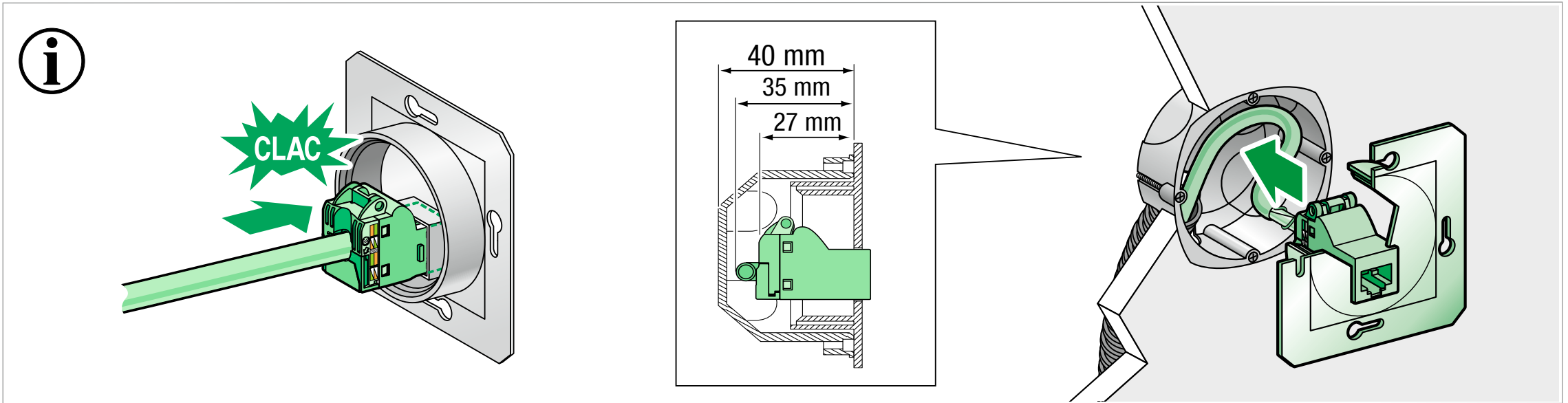
U/UTP



Connector disconnection

U/UTP





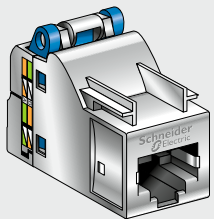
How to connect S-One
with U/UTP cable 7mm



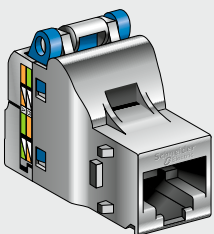
Composition

Shielded connector

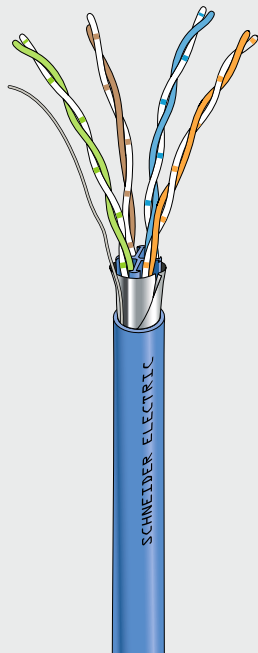
S-One



S-One DPM

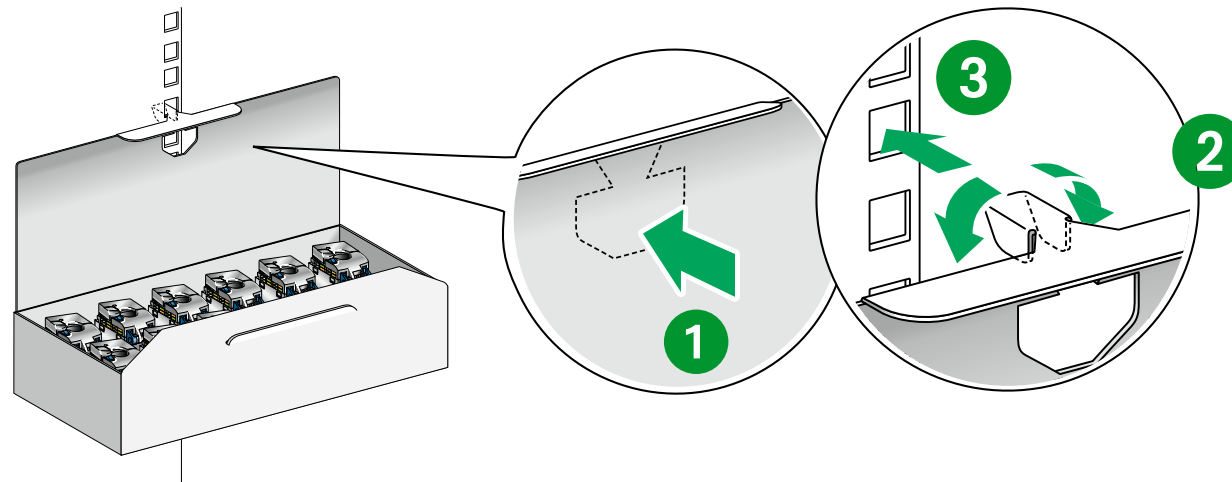
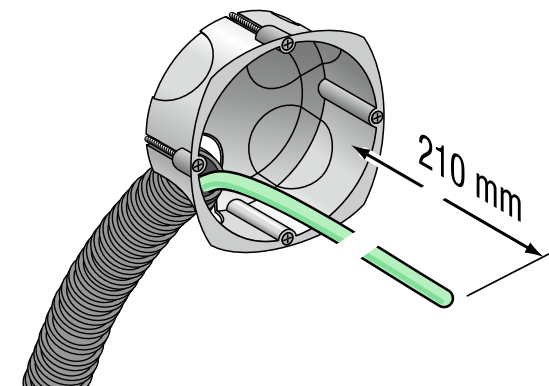


F/UTP



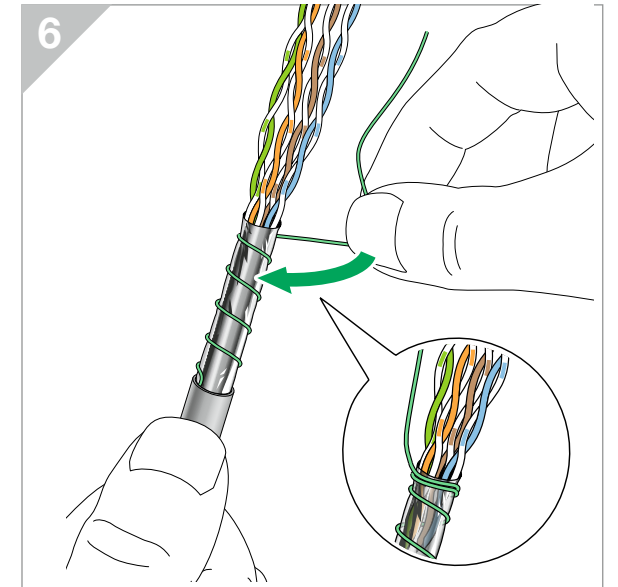
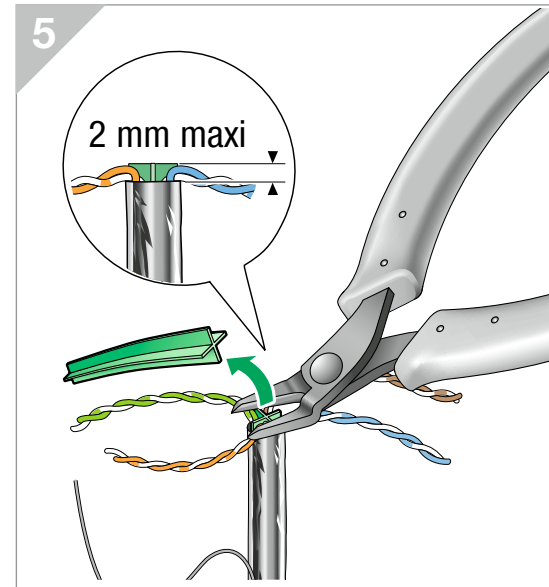
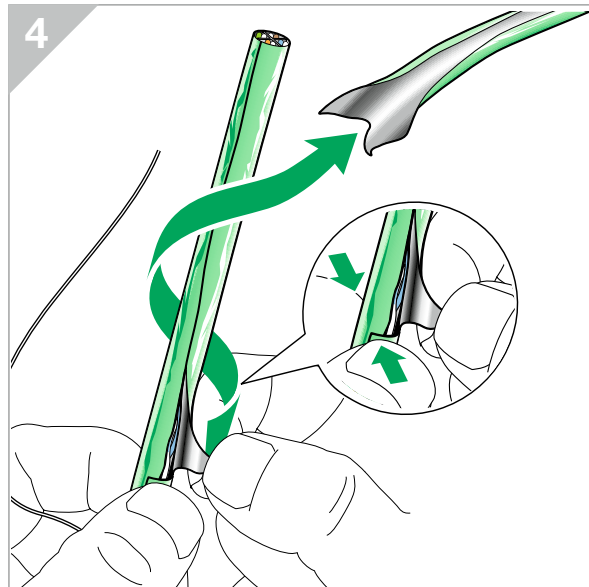
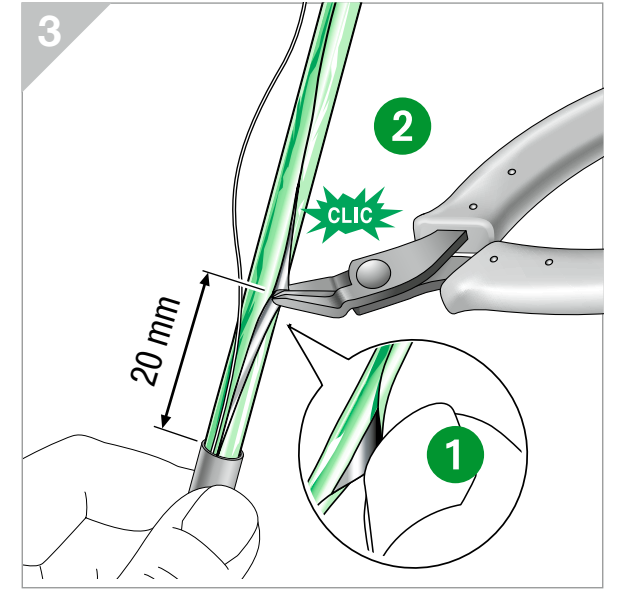
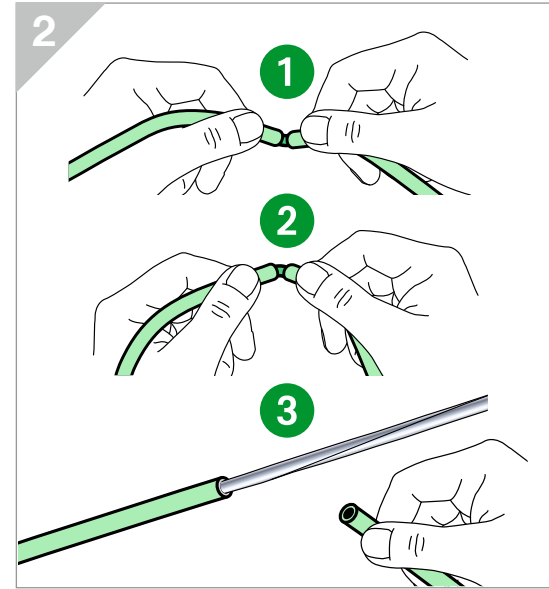
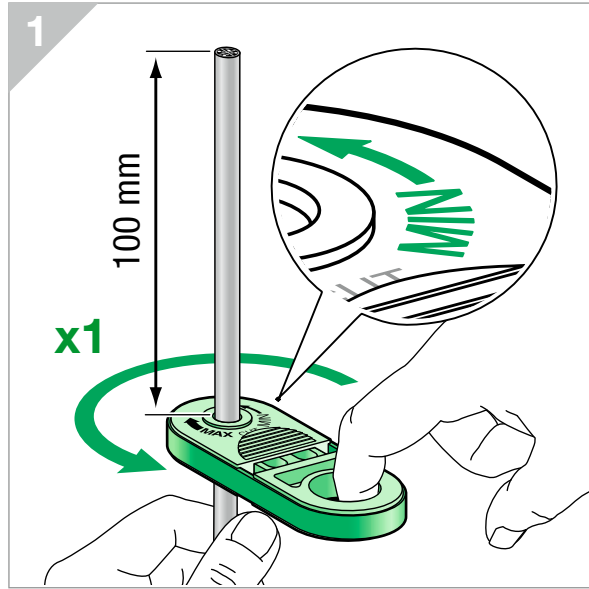
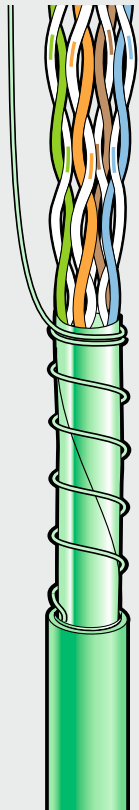
VDIR580020

x1



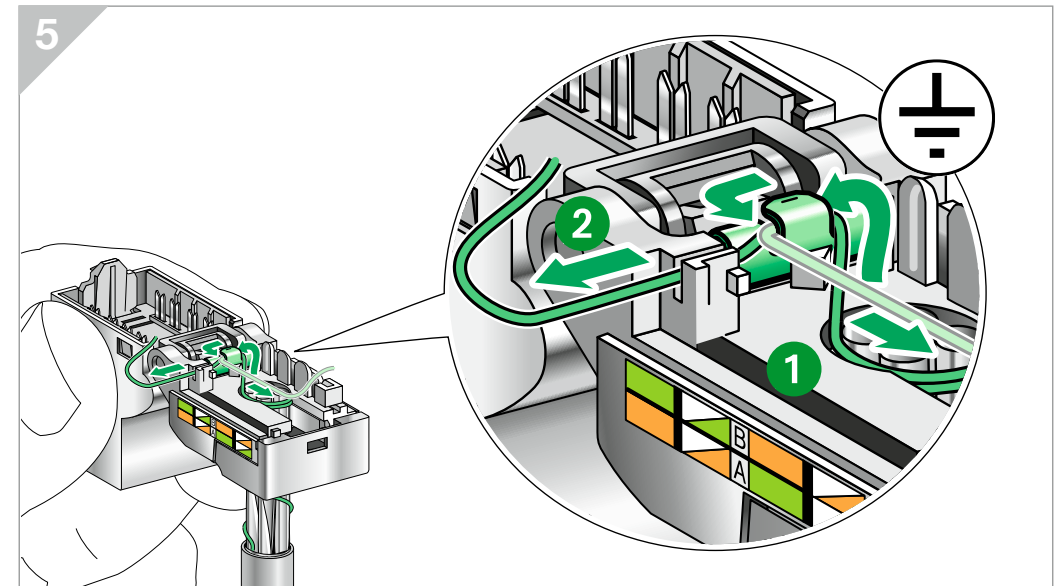
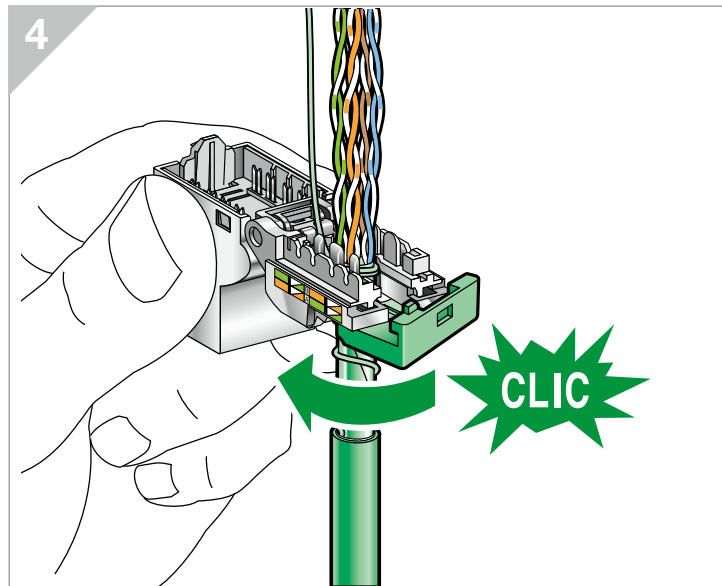
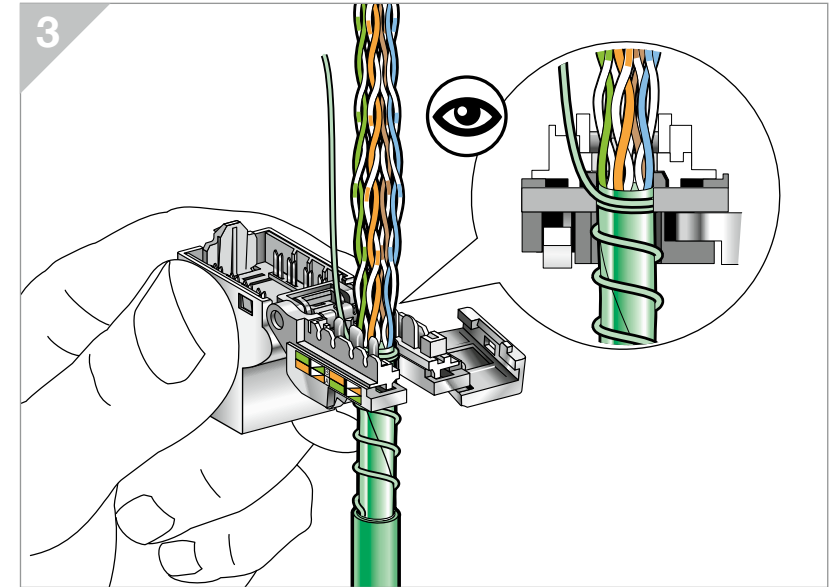
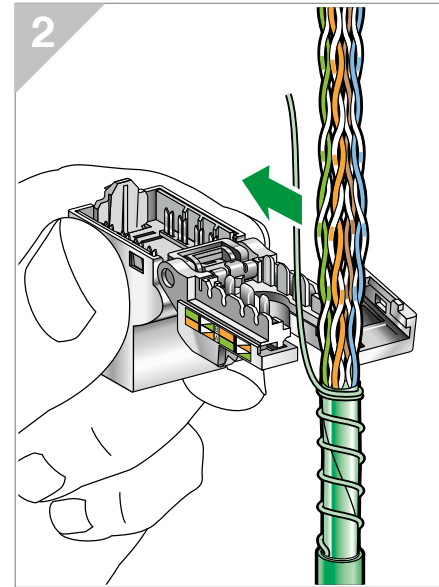
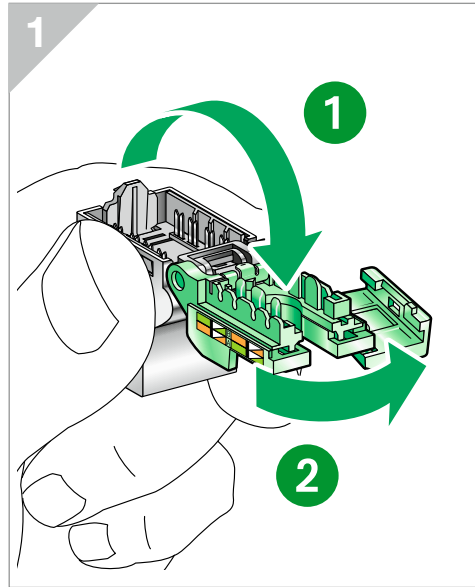
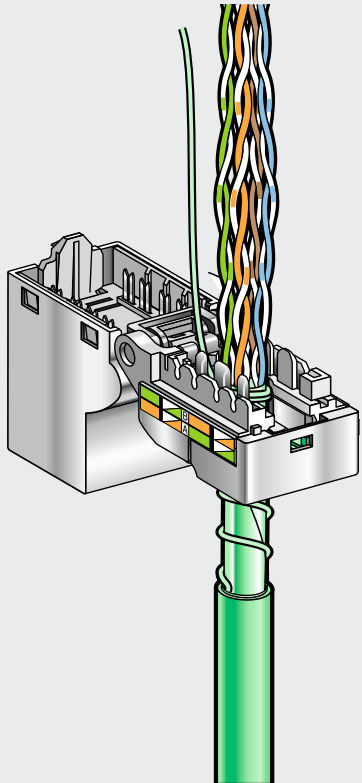
Cable preparation

F/UTP



Connector termination

F/UTP

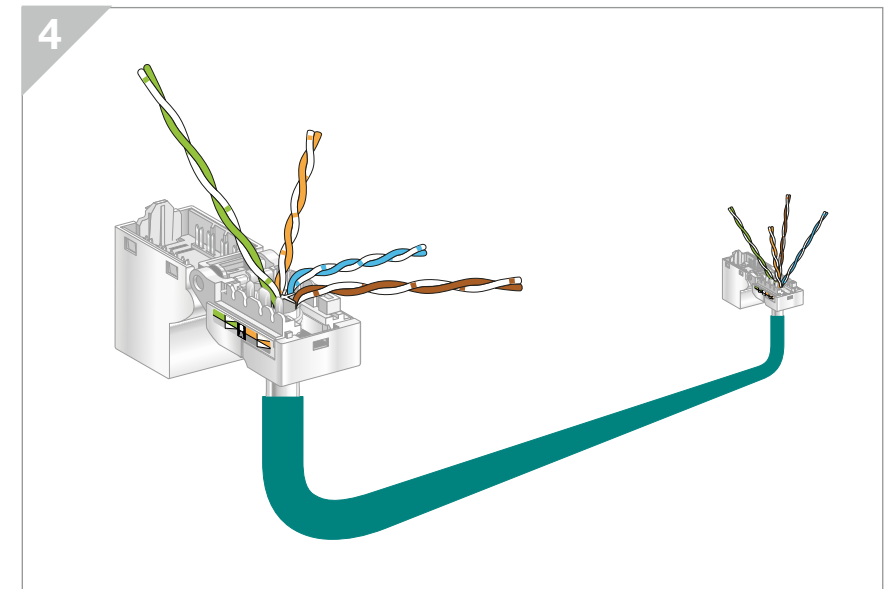
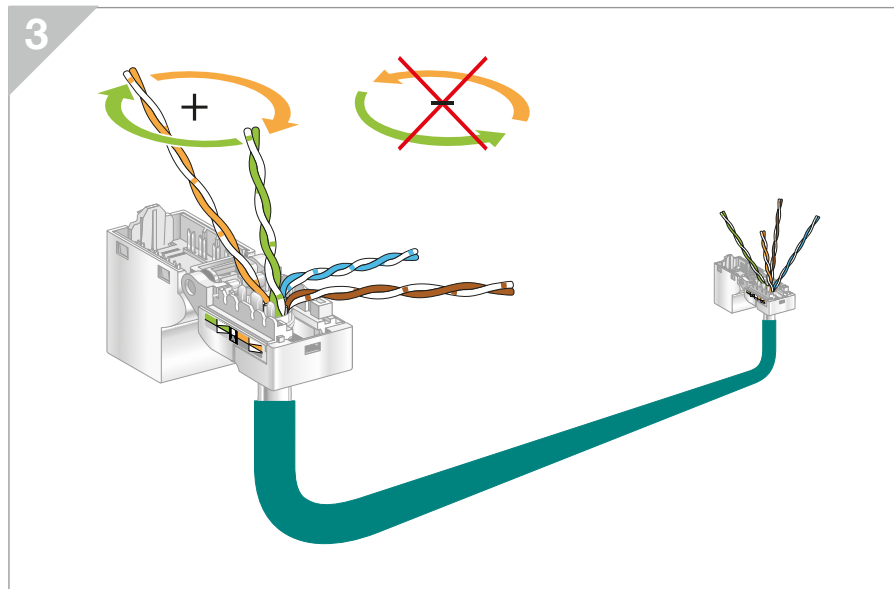
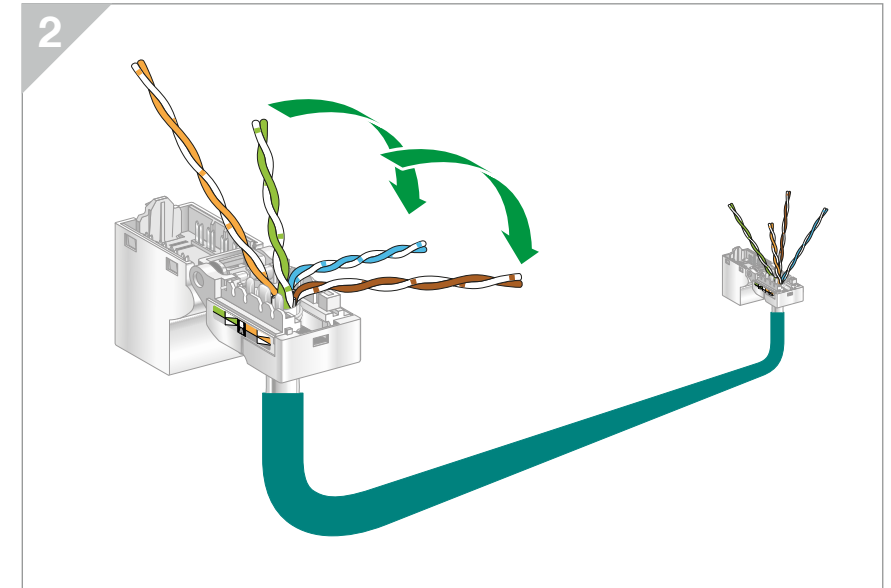
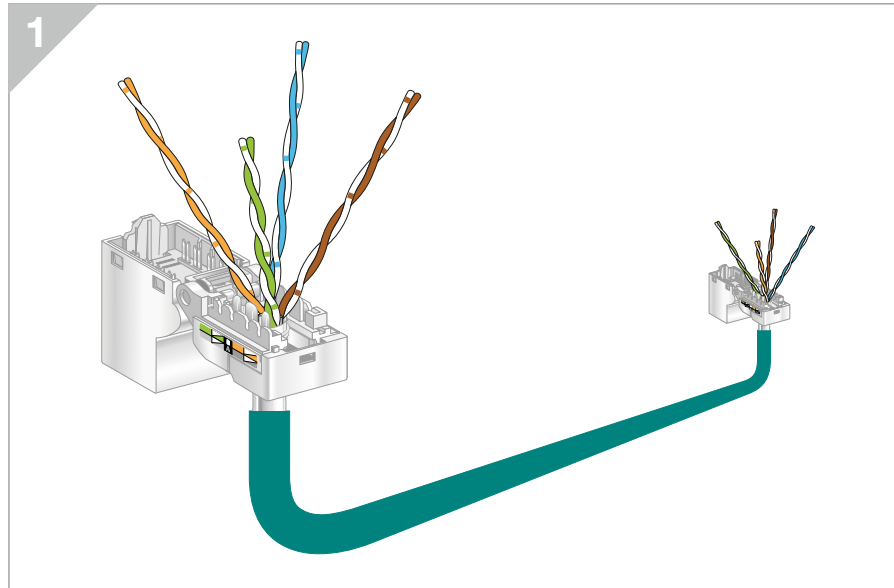
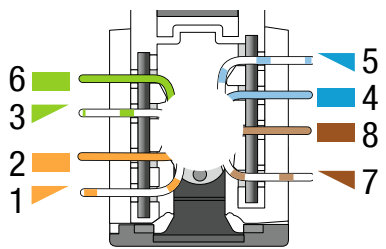


Pairs crossing

F/UTP

How to prepare a F/UTP cable acc. to T568B wiring code to reach high performance

EIA-TIA 568B (100Ω)

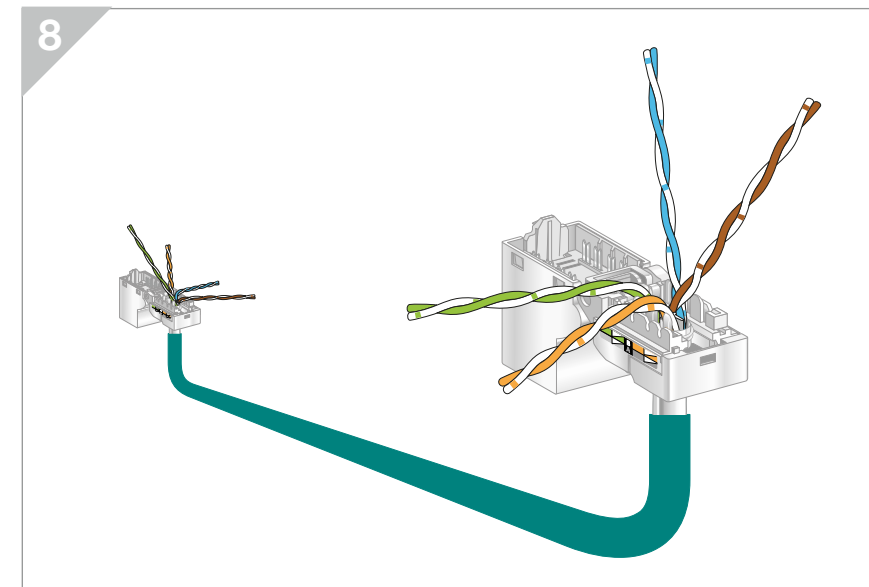
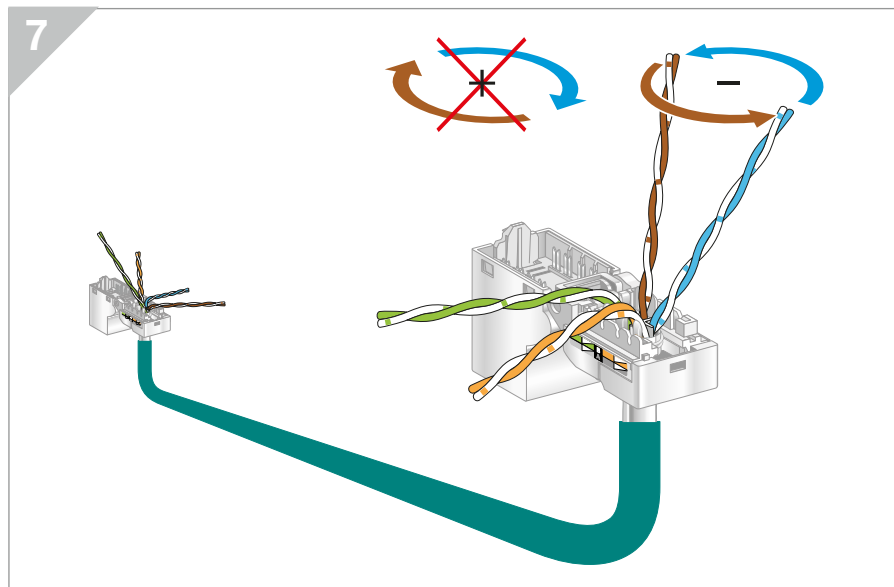
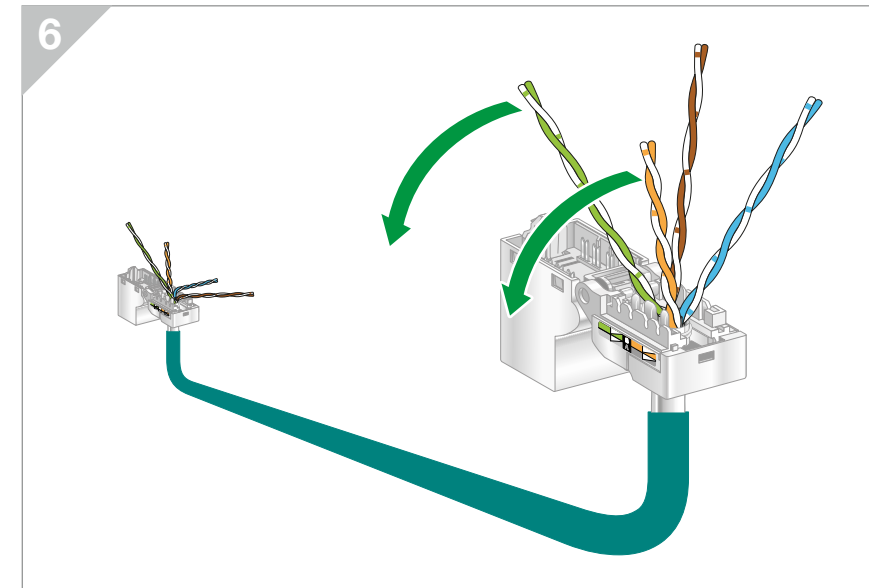
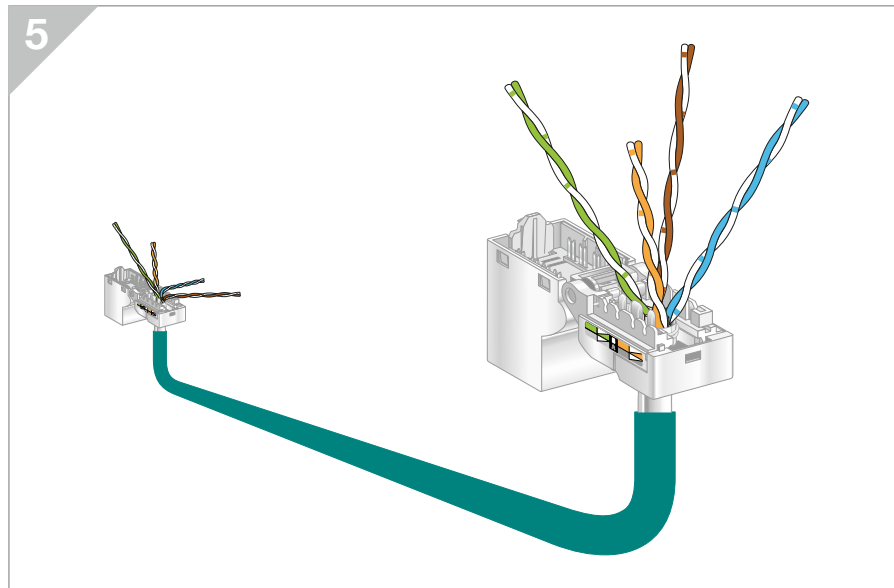
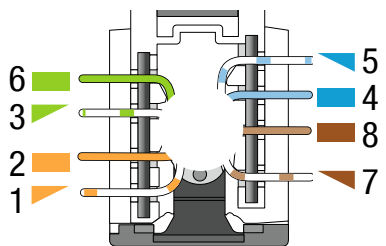


Pairs crossing

F/UTP

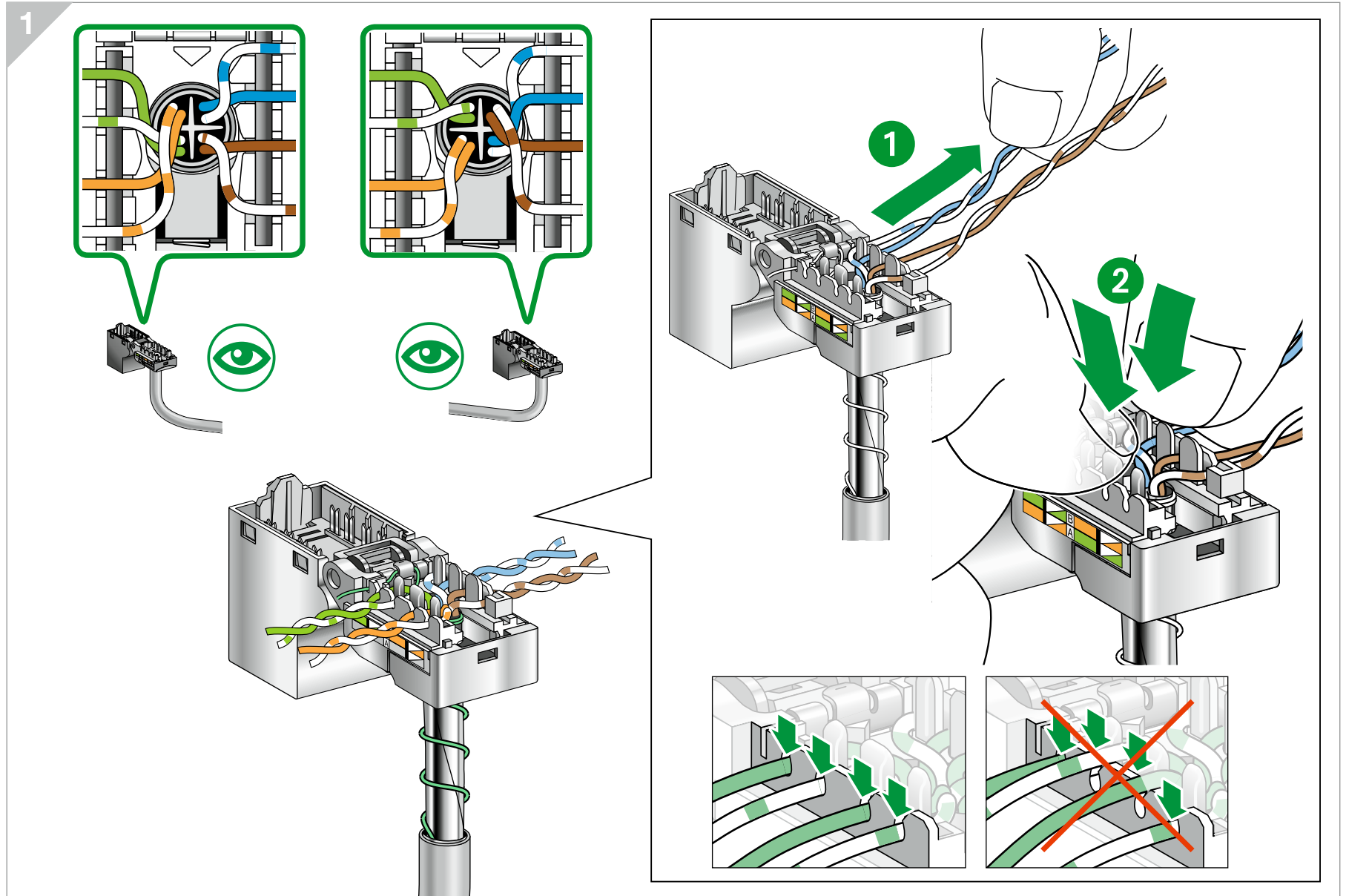
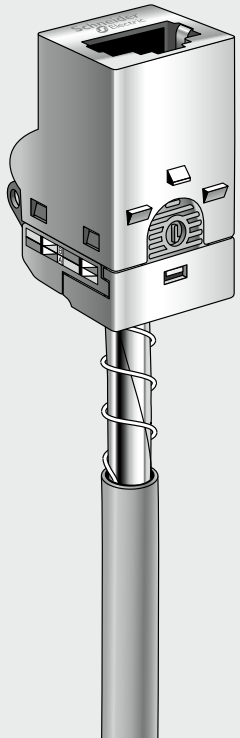
How to prepare a F/UTP cable acc. to T568B wiring code to reach high performance

EIA-TIA 568B (100Ω)



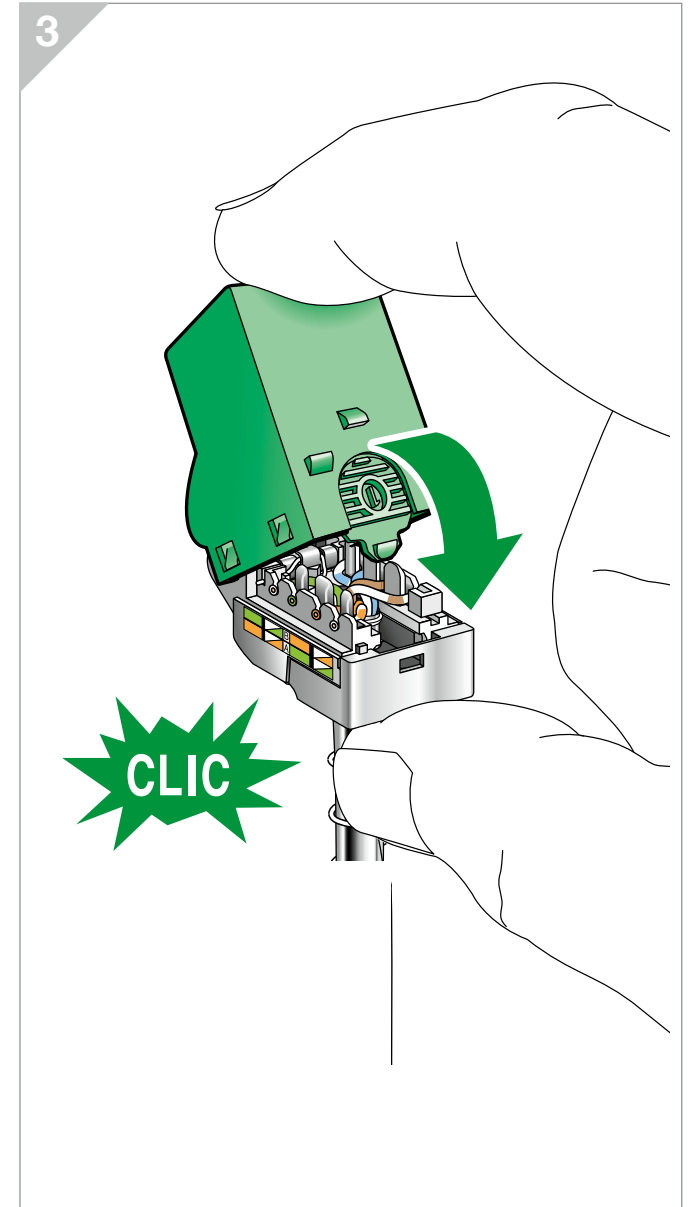
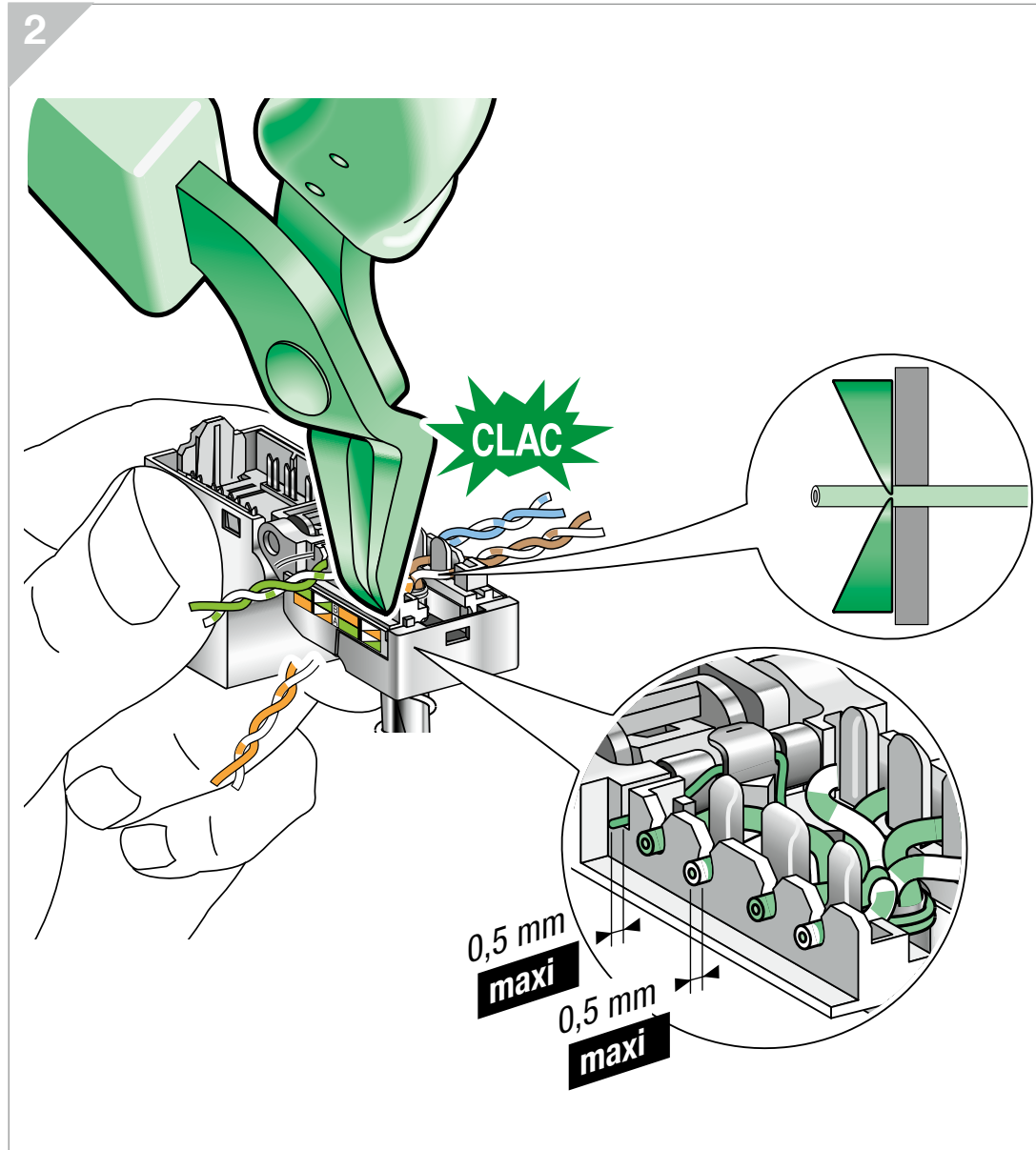
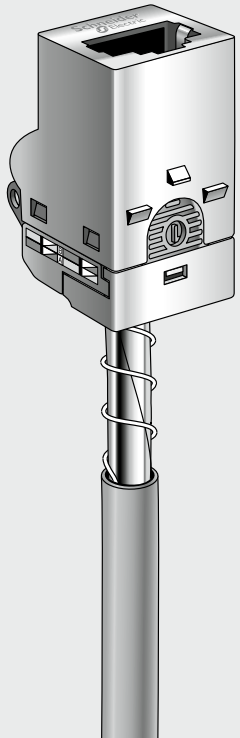
Connector connection

F/UTP



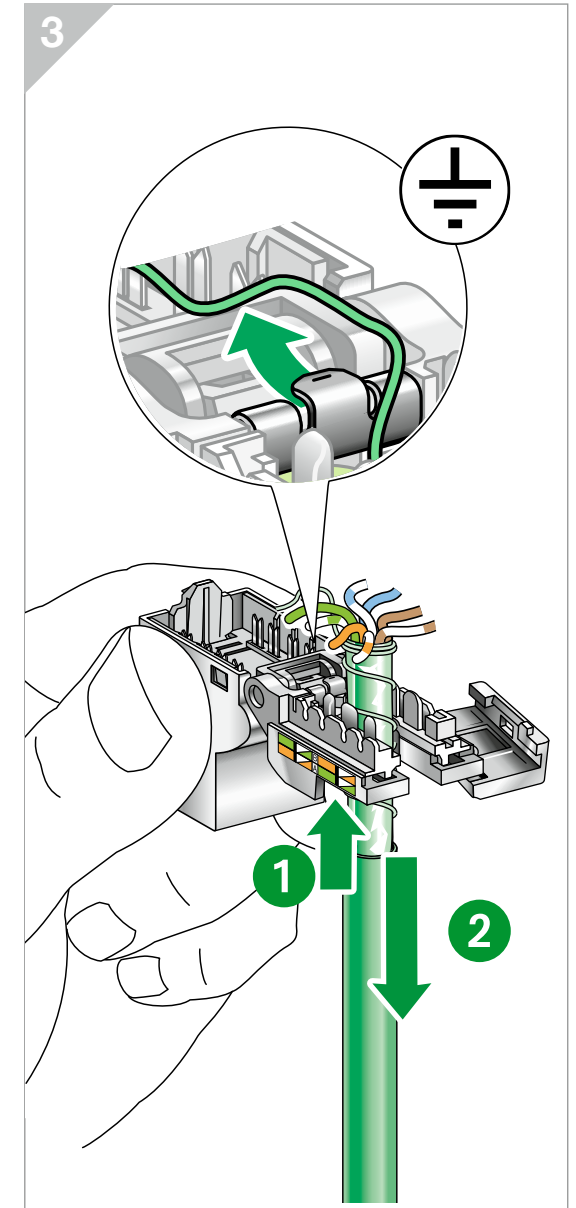
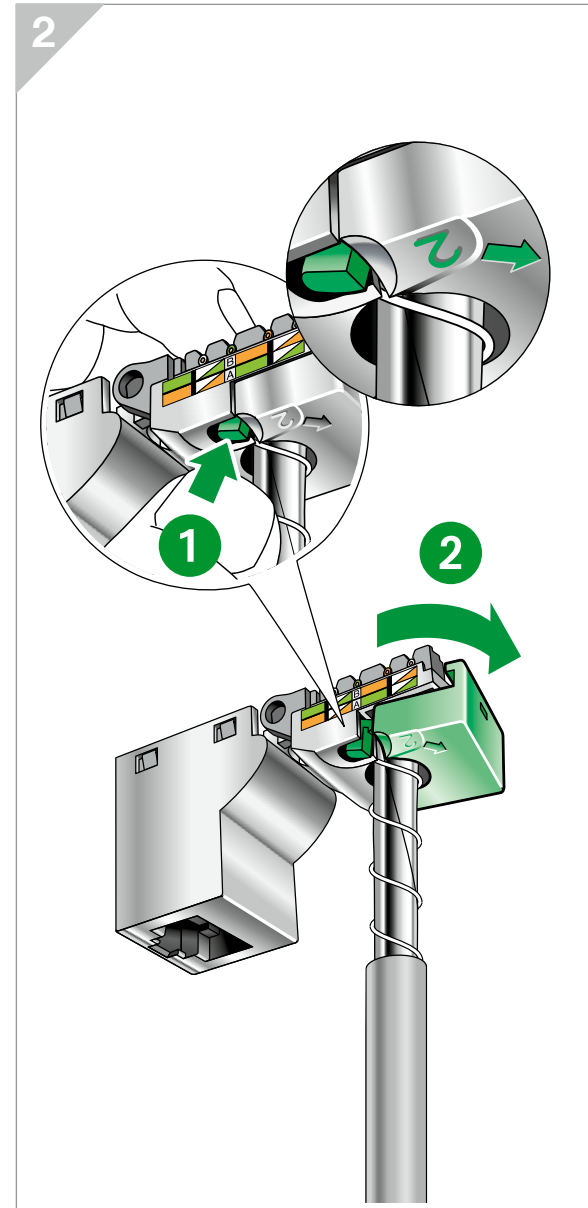
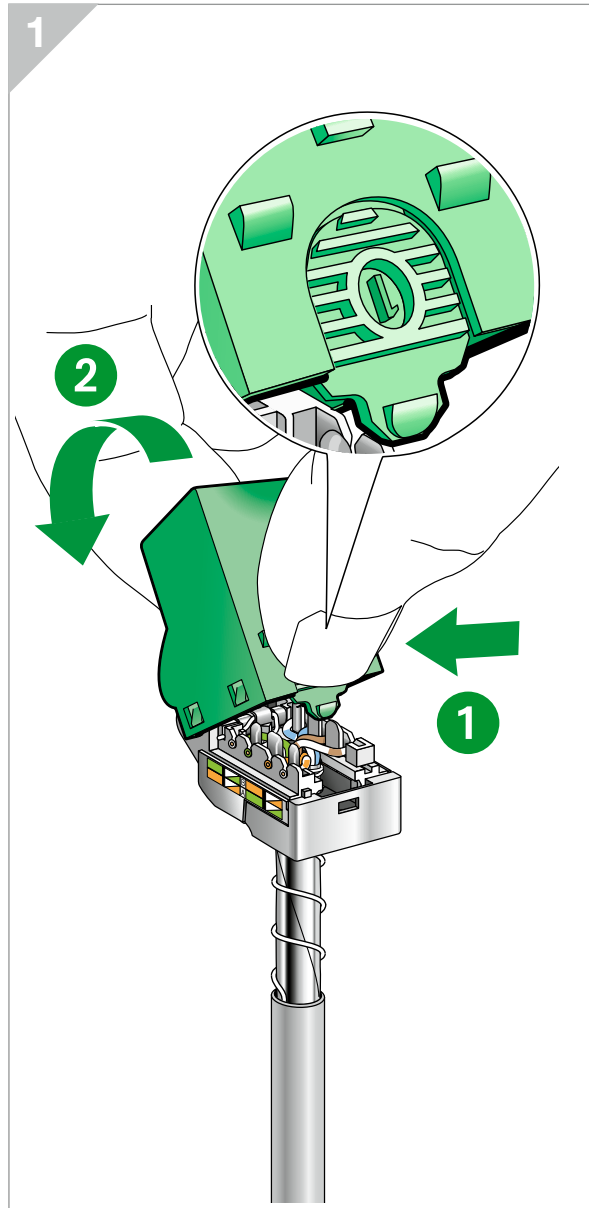
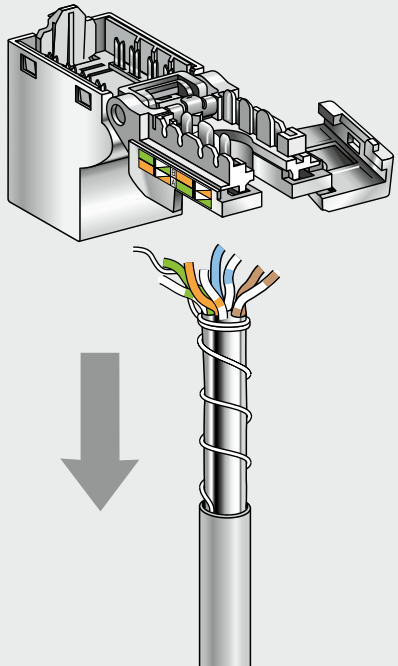
Connector connection

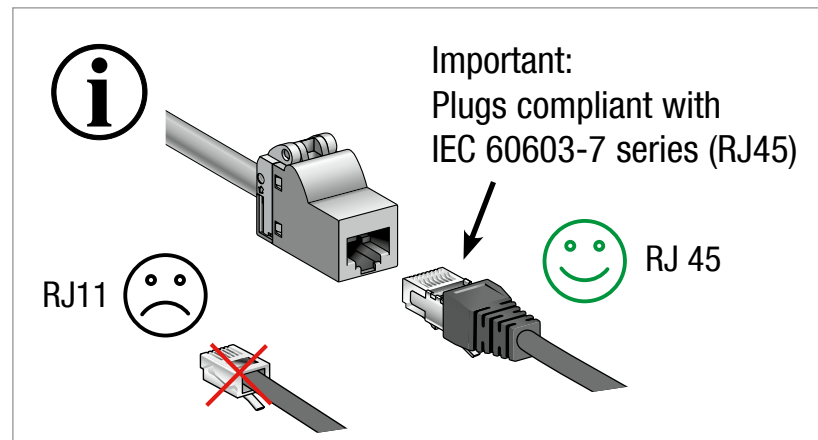
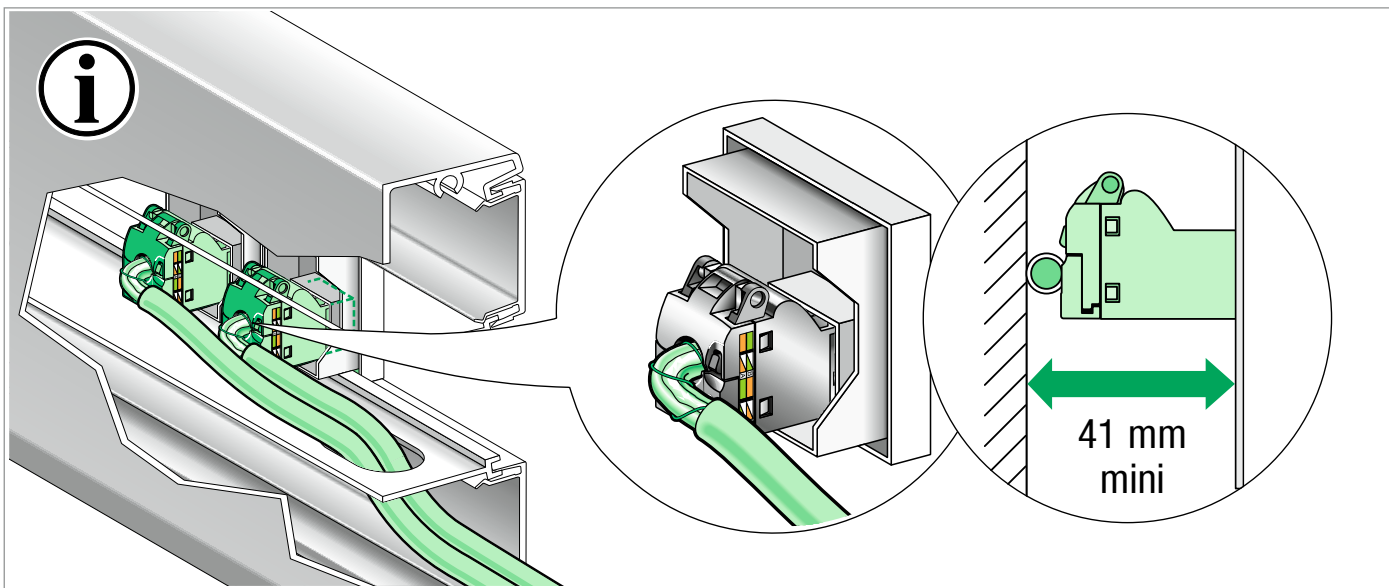
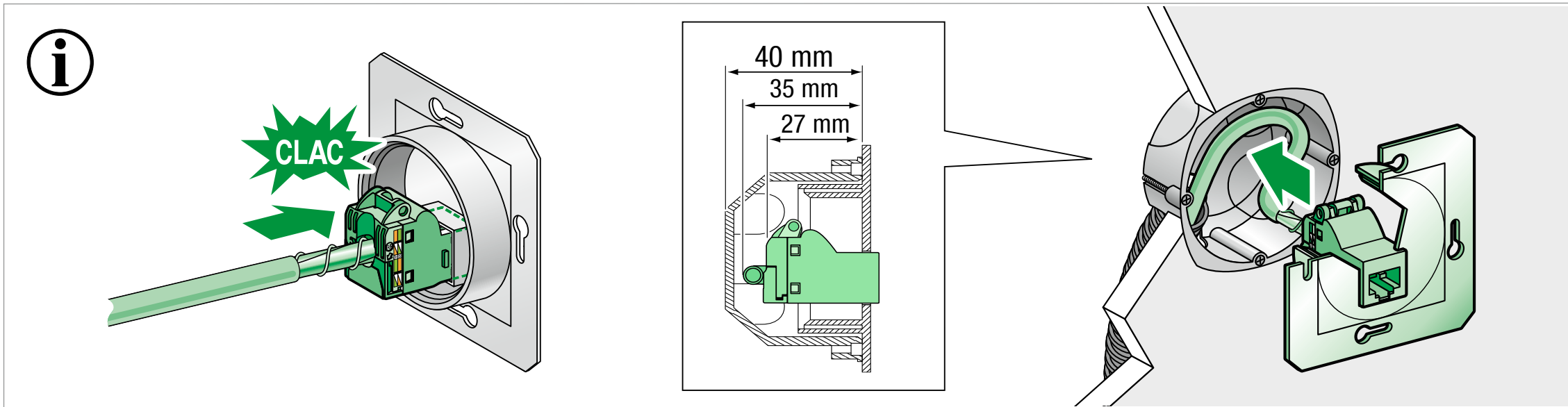
F/UTP



Connector disconnection

F/UTP

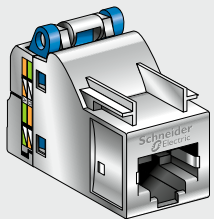




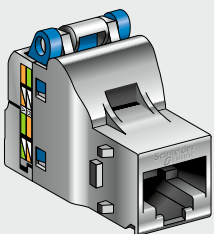
Composition

Shielded connector

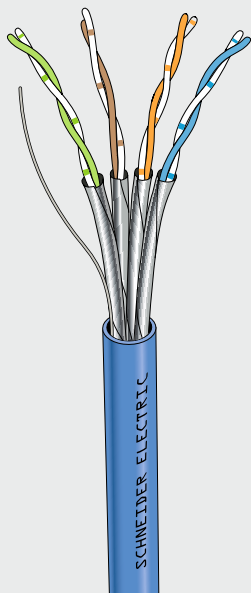
S-One



S-One DPM

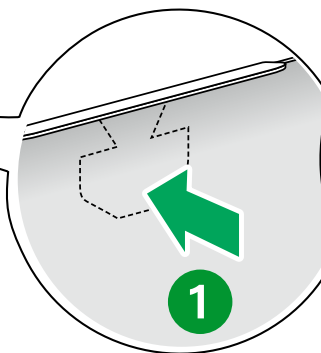
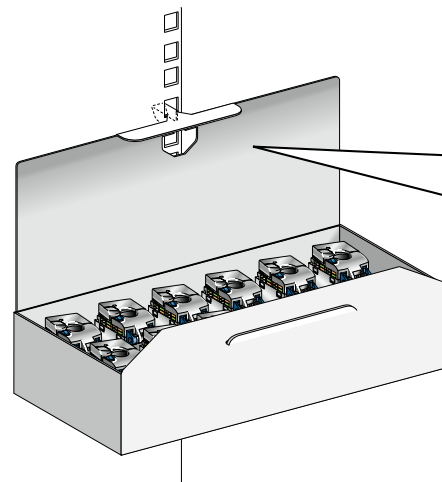
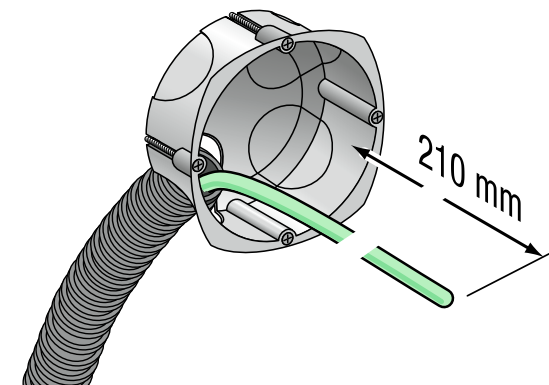


U/FTP



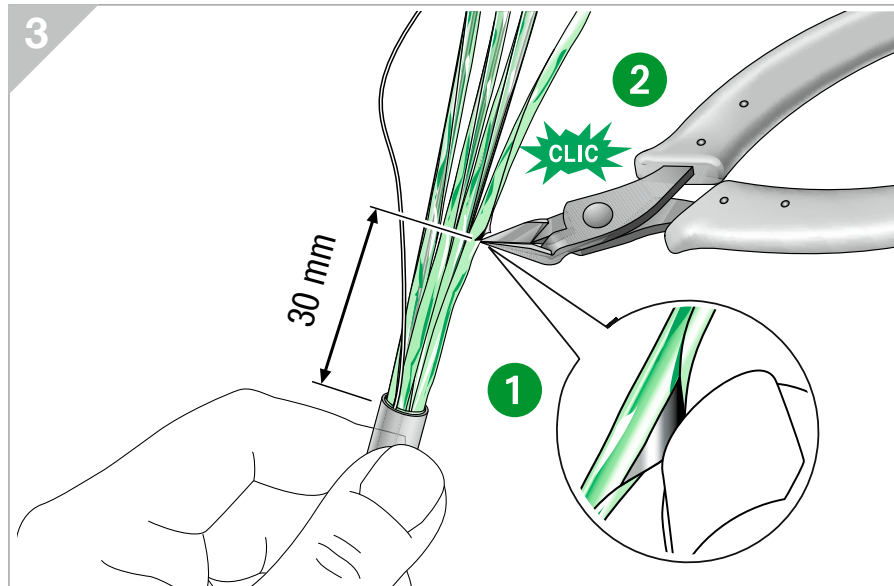
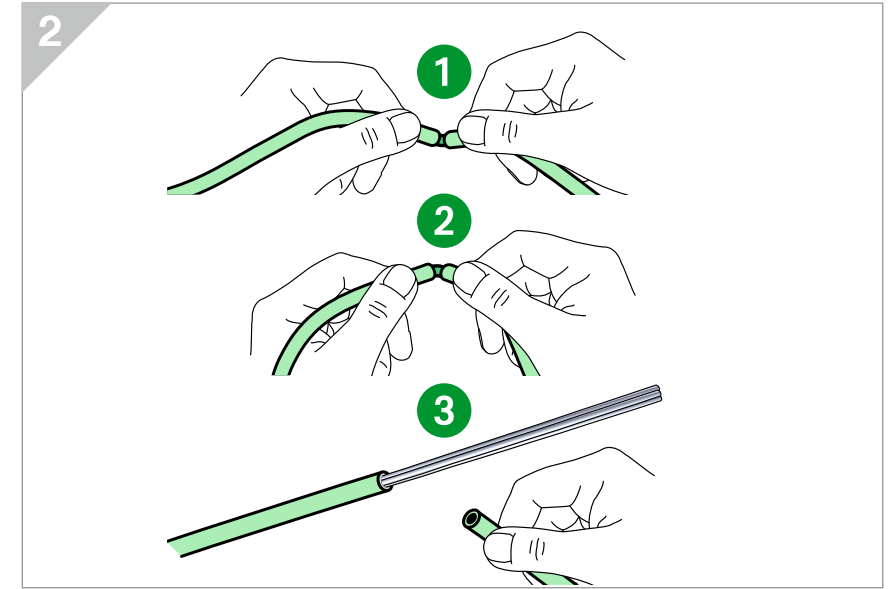
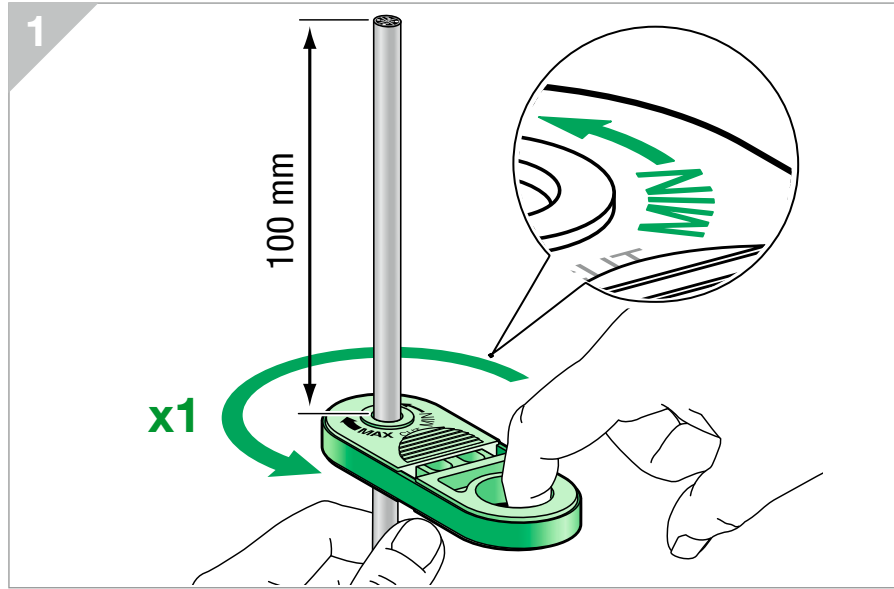
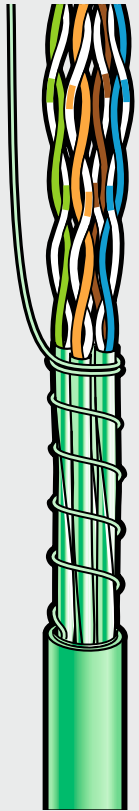
VDIR580020

x1



Cable preparation

U/FTP

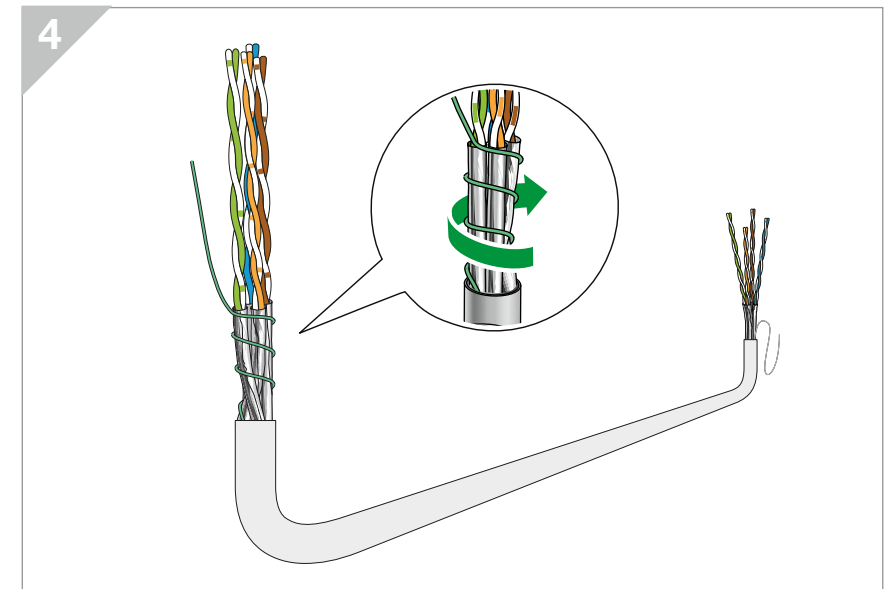
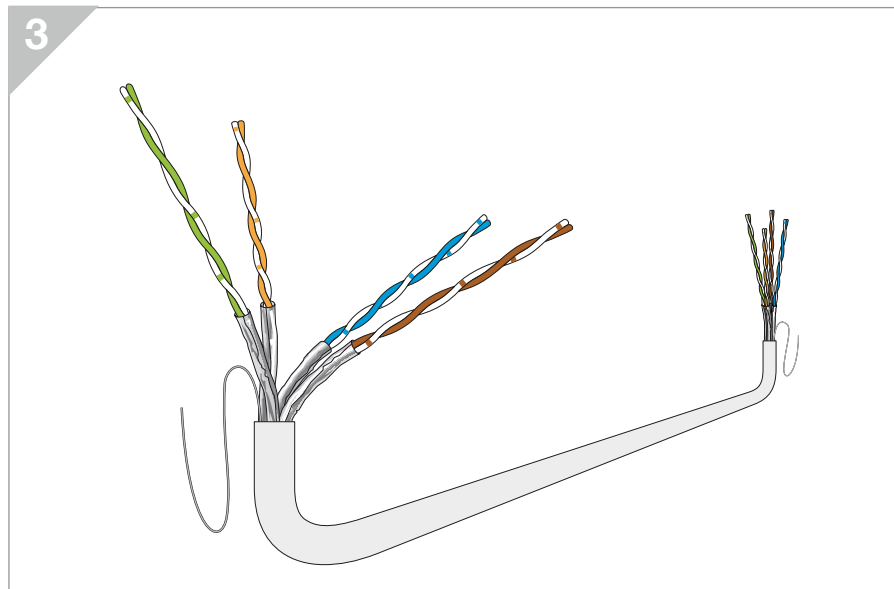
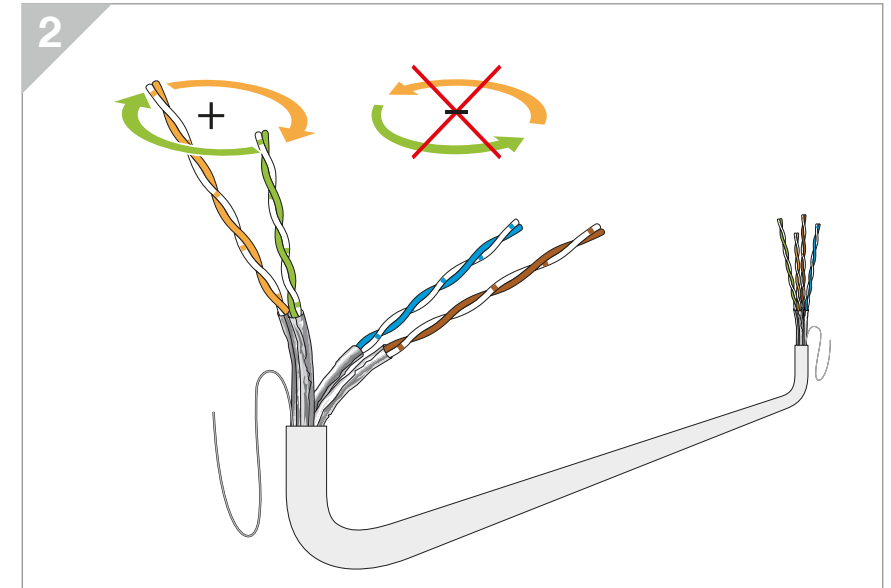
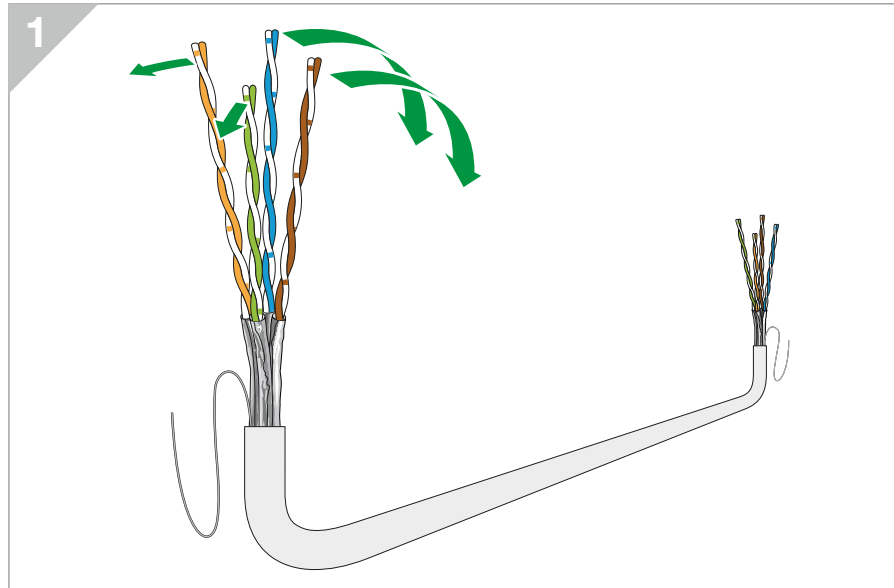
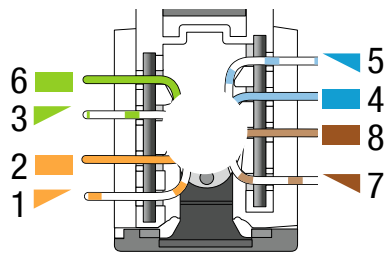


Pairs crossing

U/FTP

How to prepare a U/FTP cable acc. to T568B wiring code to reach high performance

EIA-TIA 568B (100Ω)

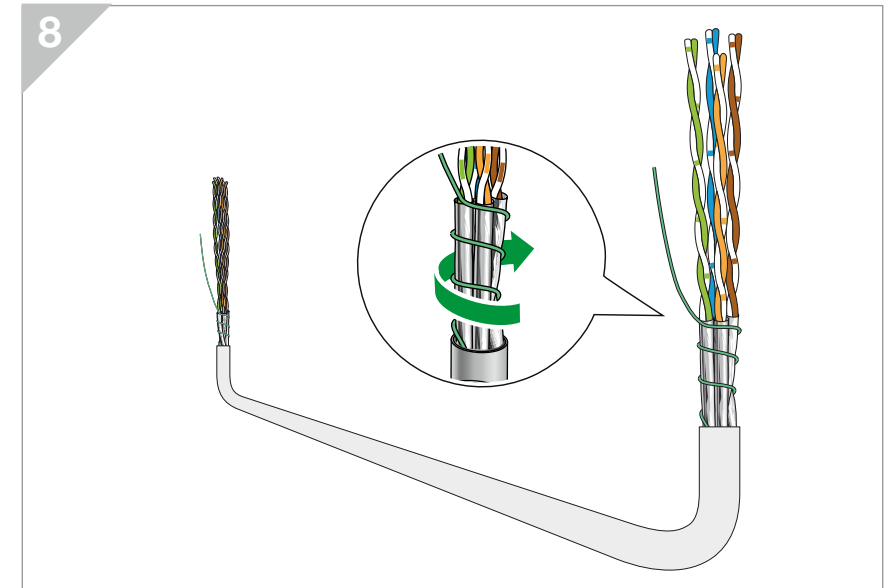
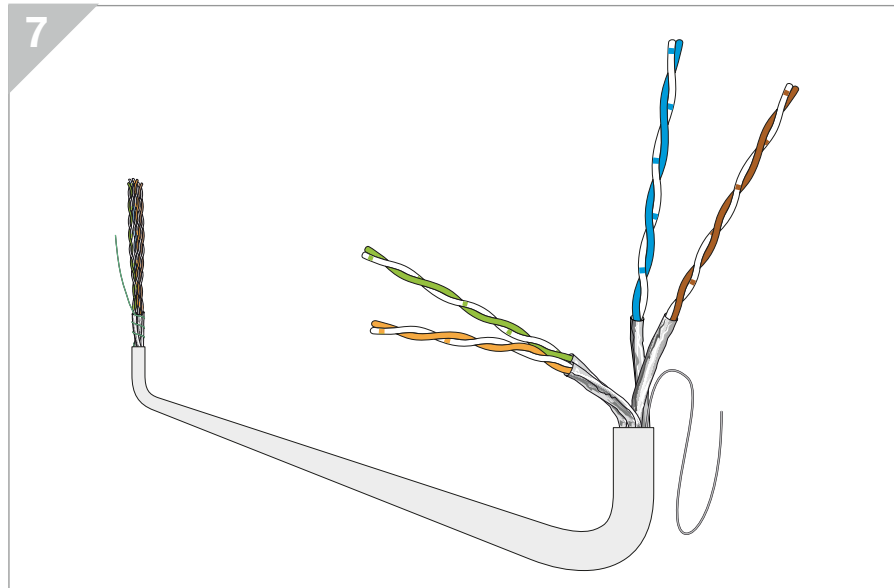
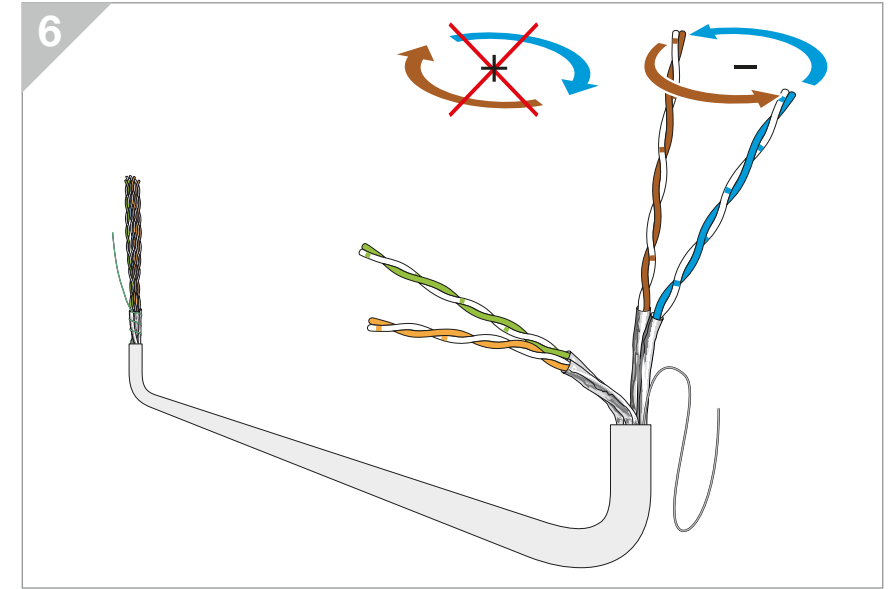
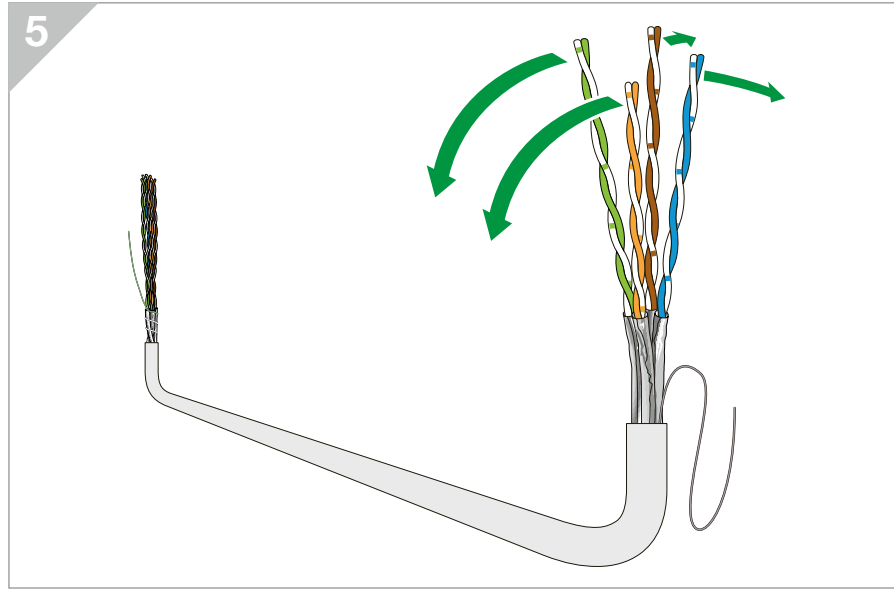
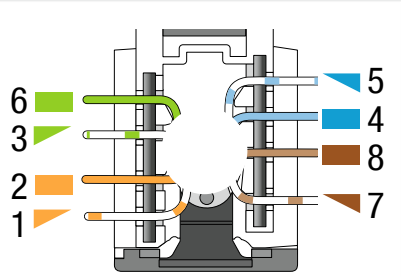


Pairs crossing

U/FTP

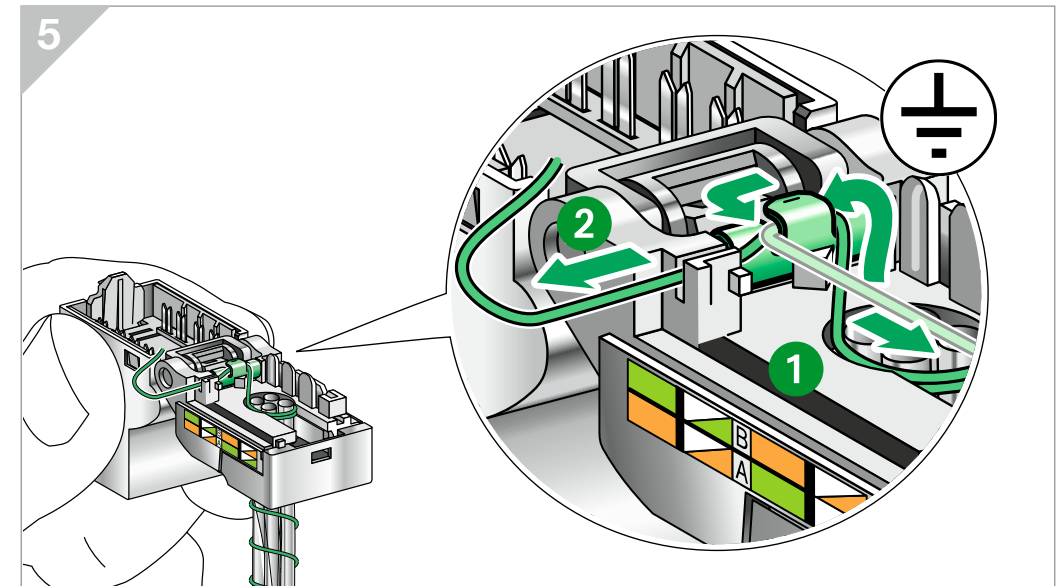
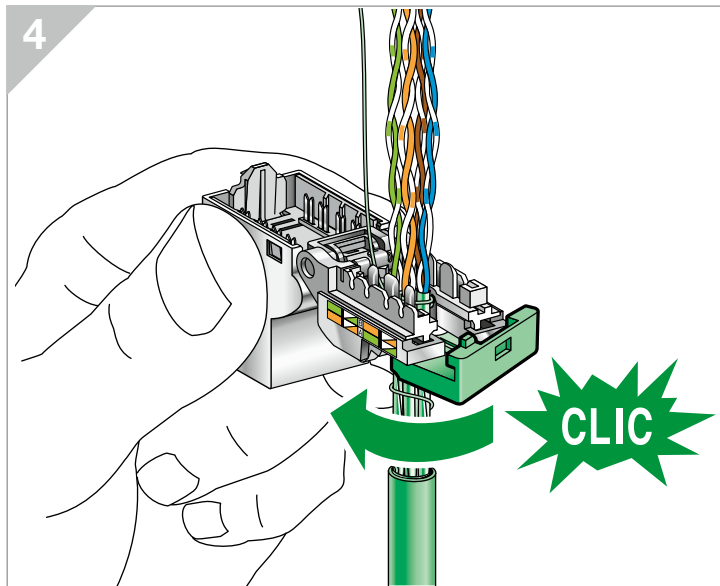
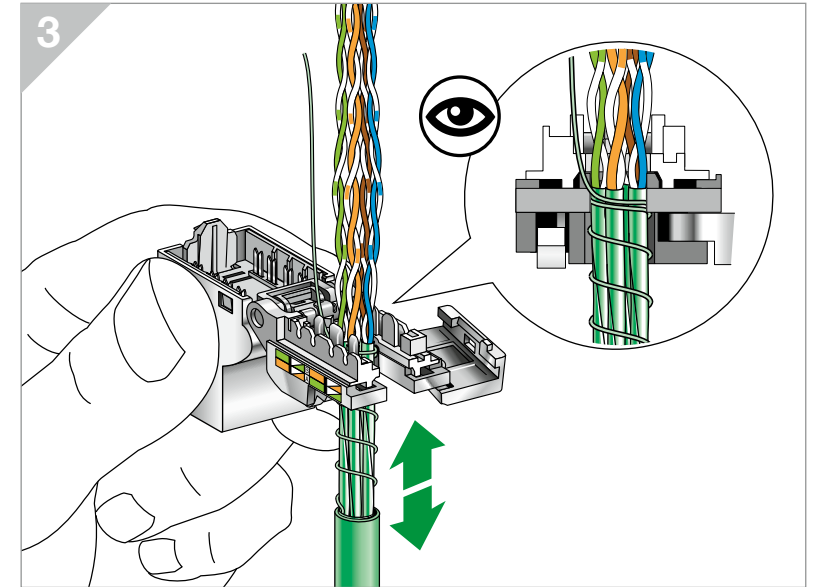
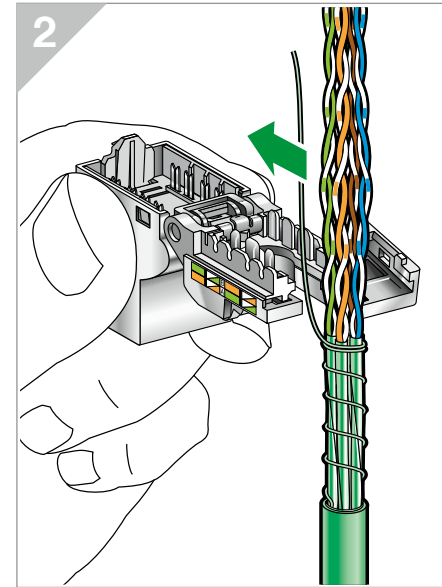
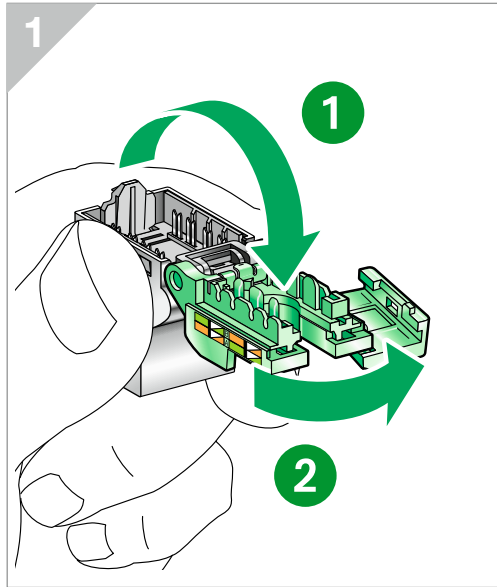
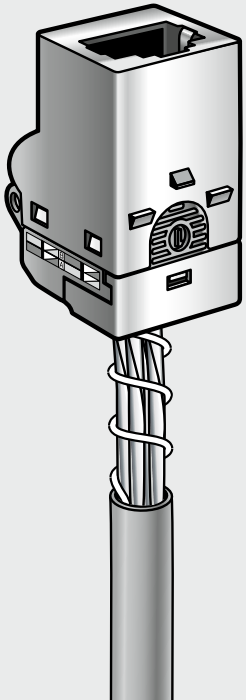
How to prepare a U/FTP cable with EIA-TIA 568B to reach high performance

EIA-TIA 568B (100Ω)



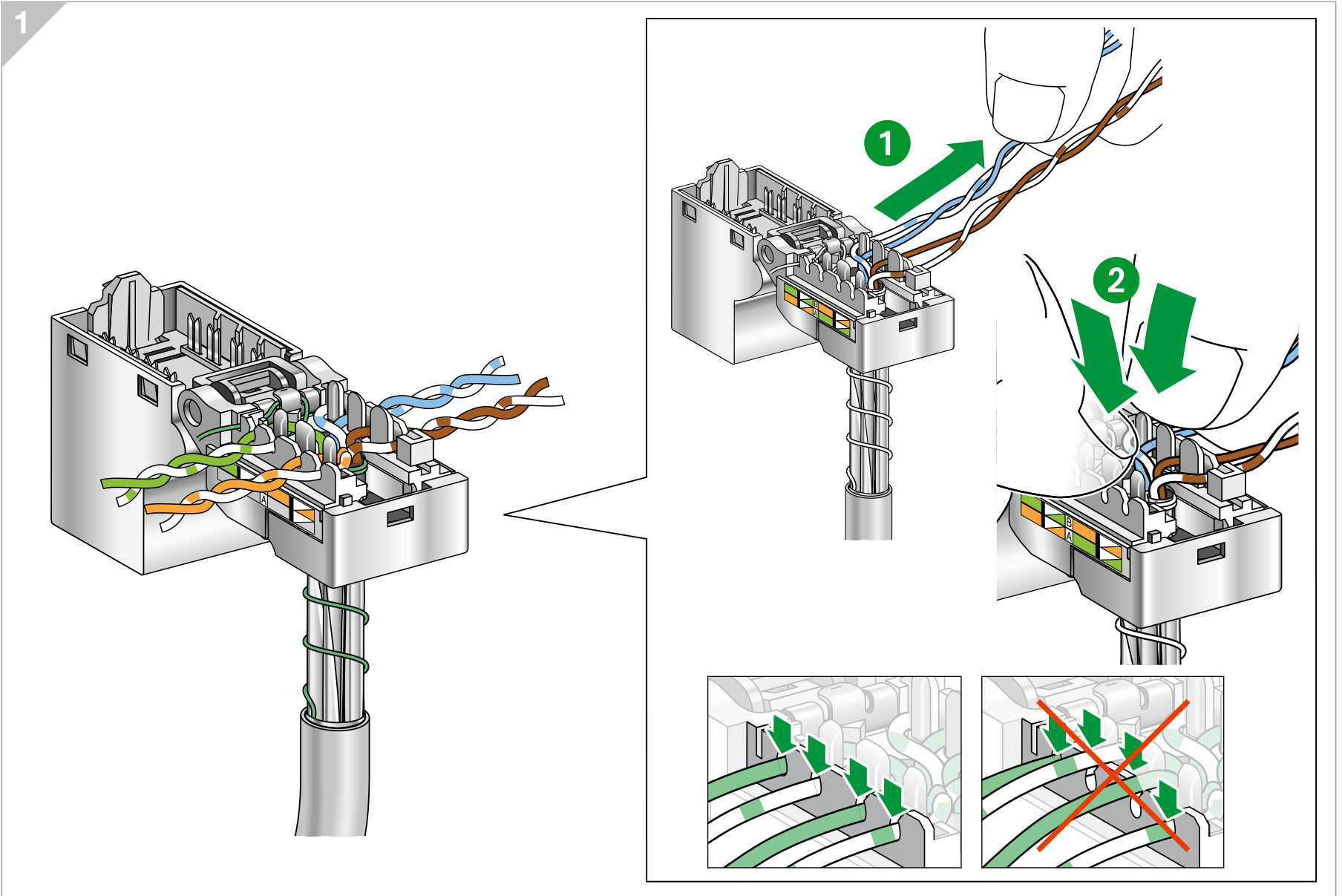
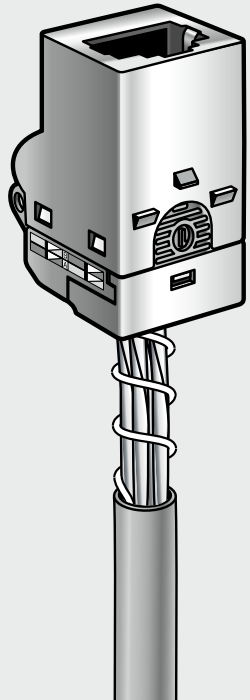
Connector termination

U/FTP



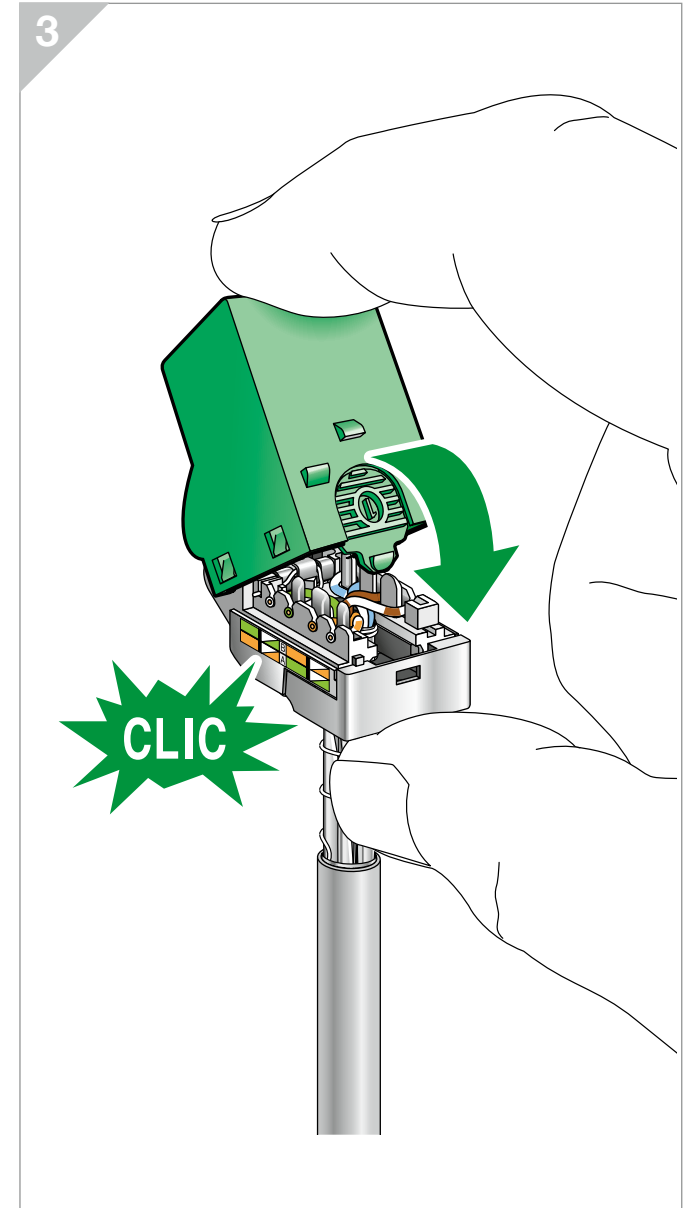
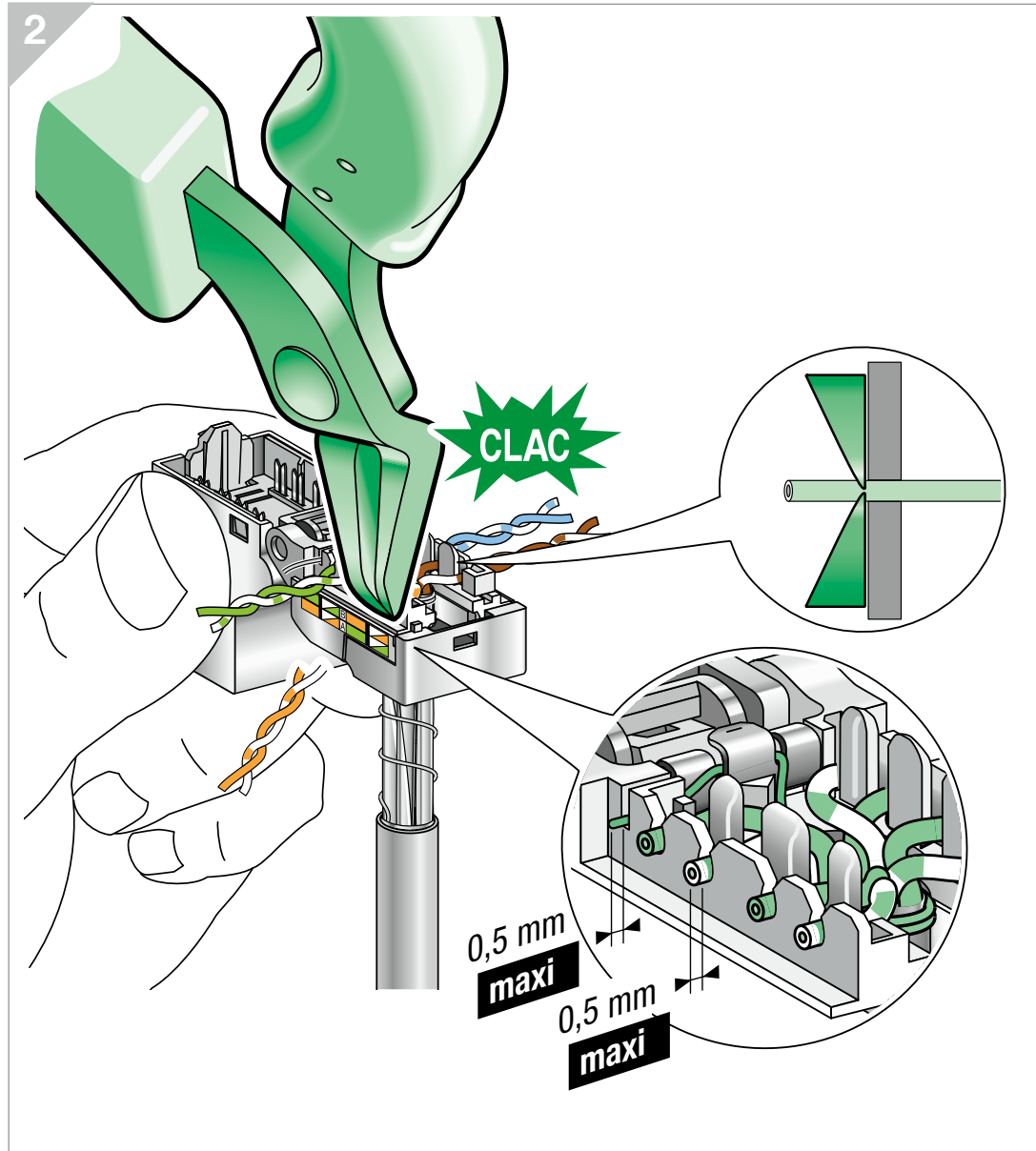
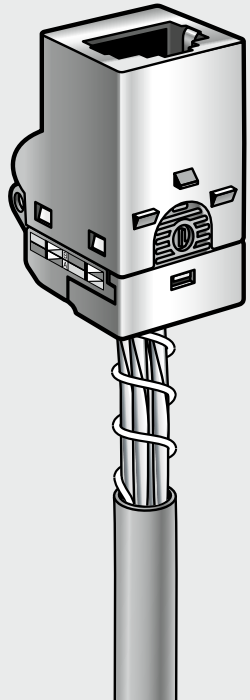
Connector connection

U/FTP



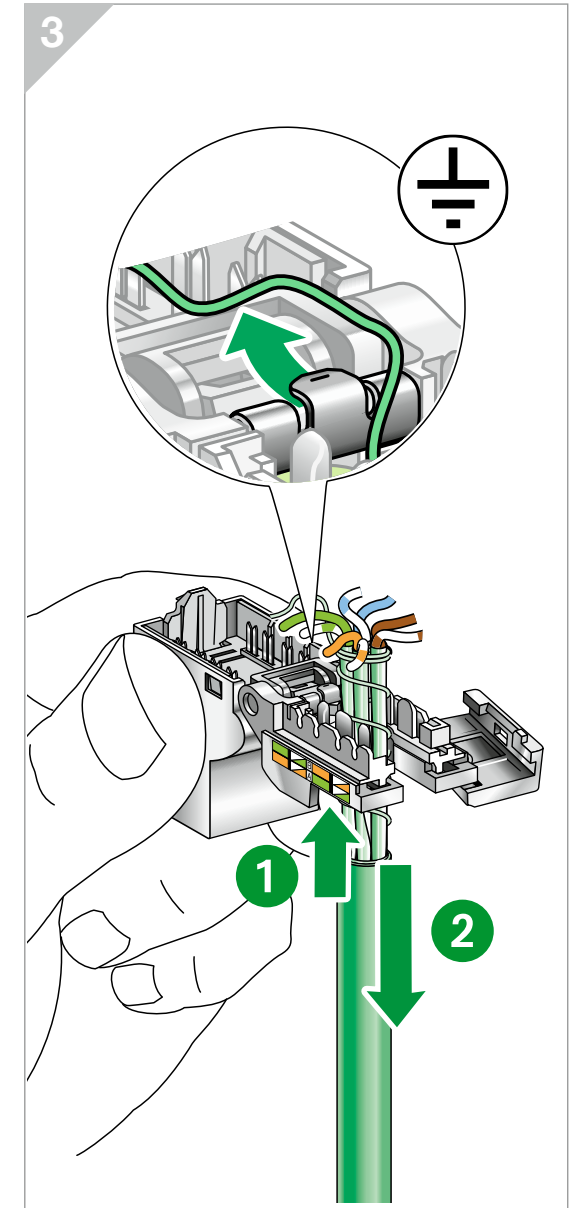
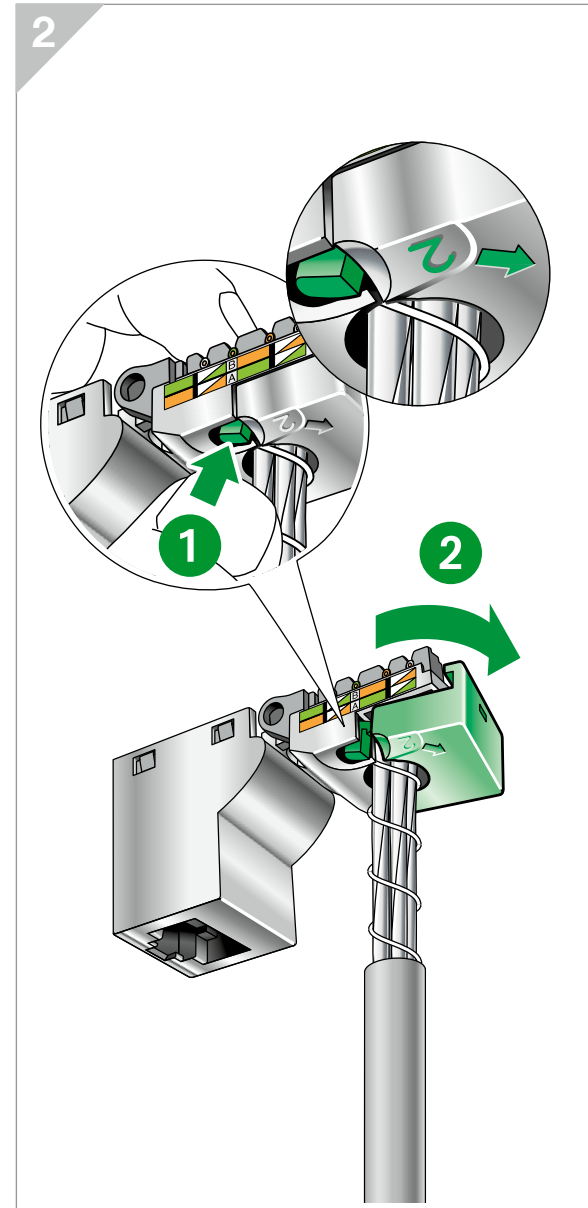
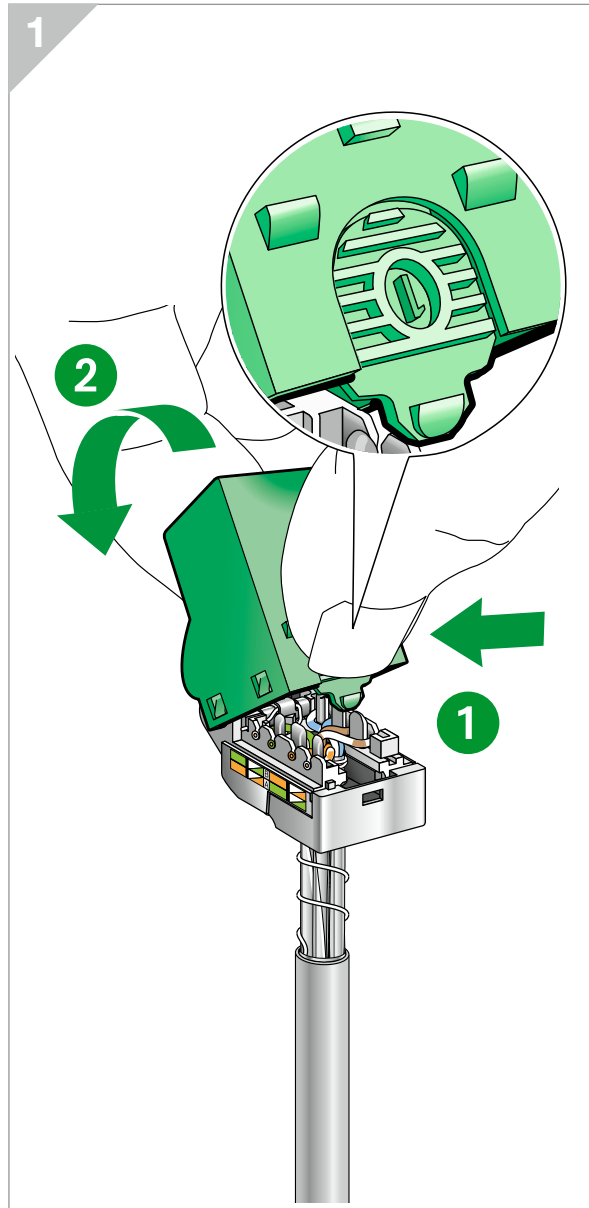
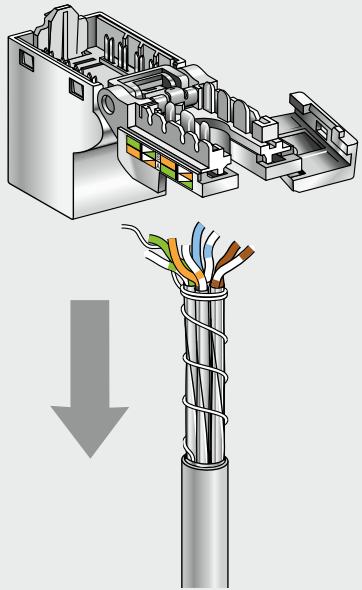
Connector connection

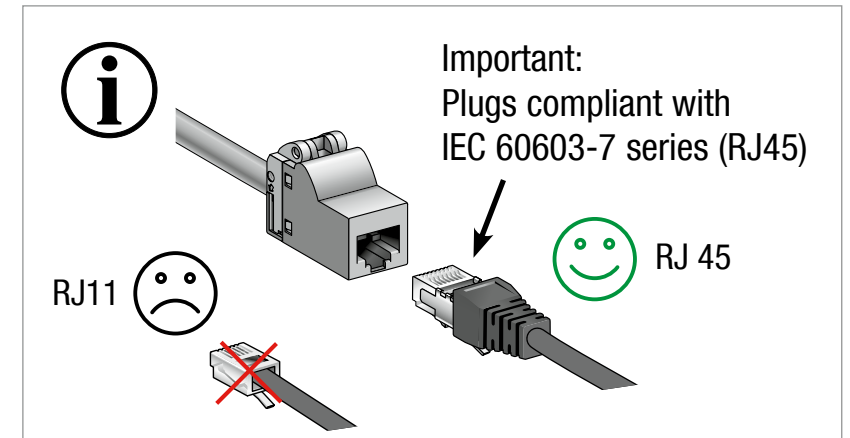
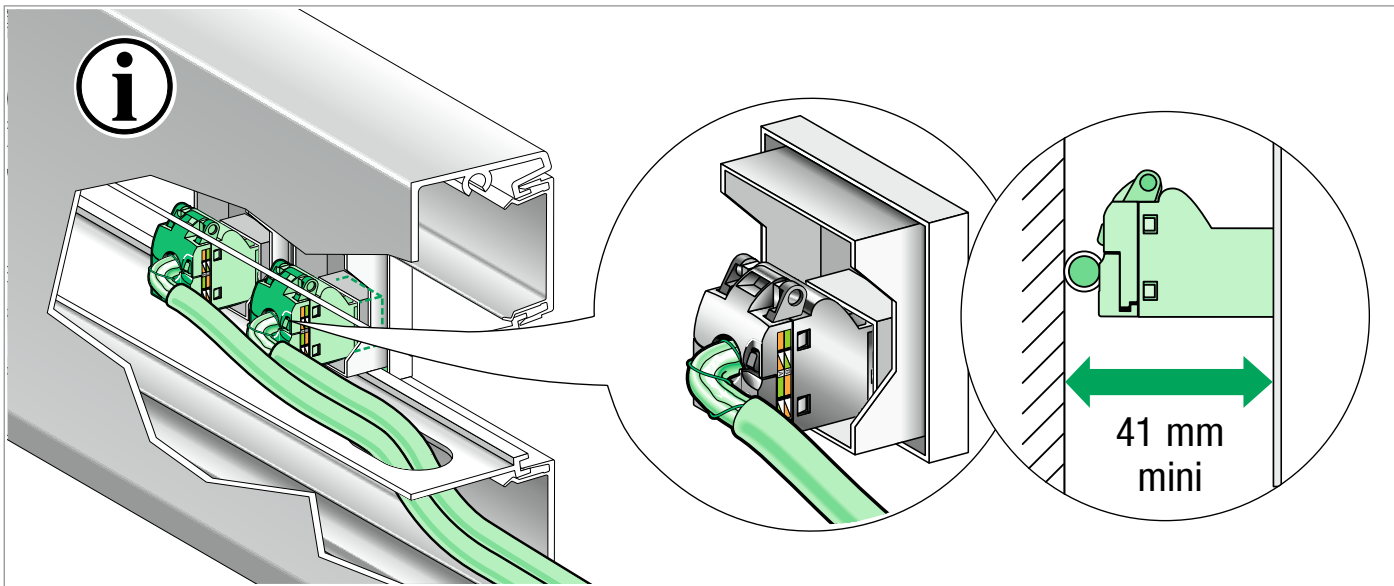
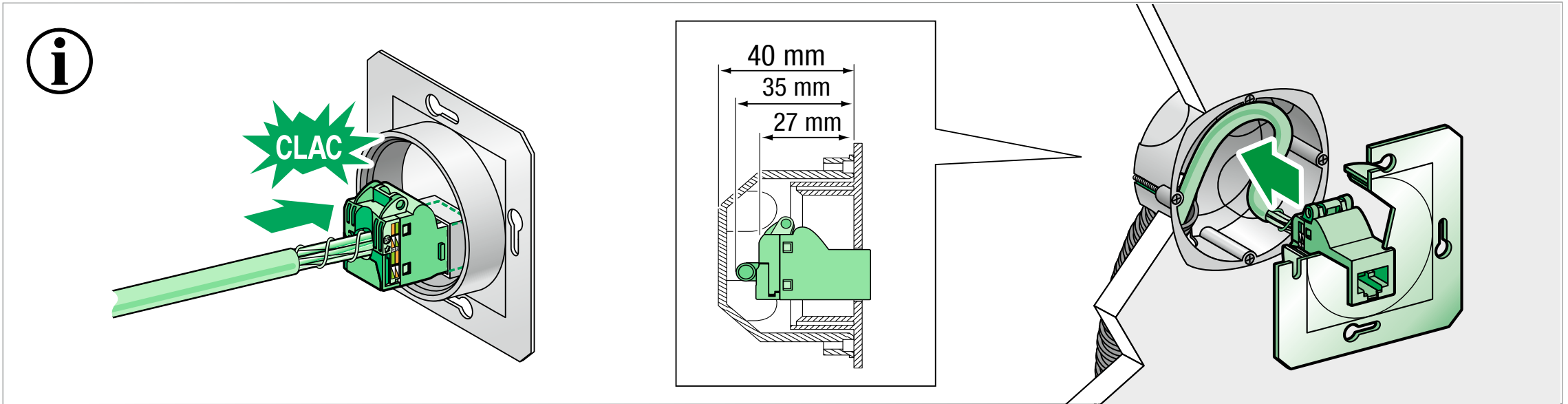
U/FTP



Connector disconnection

U/FTP

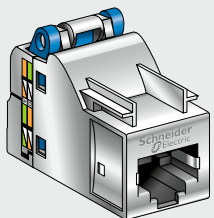




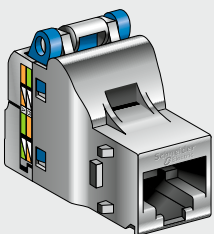
Composition

Shielded connector

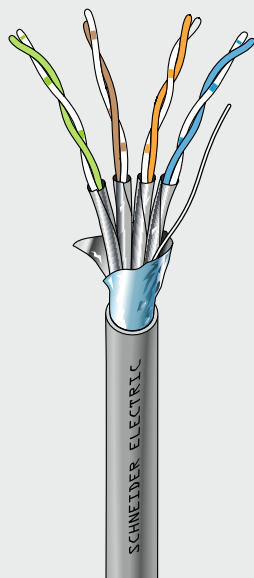
S-One



S-One DPM

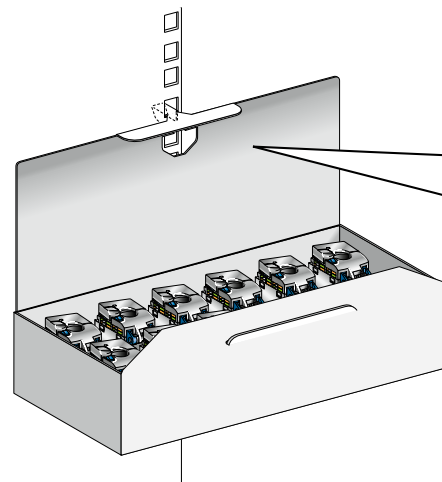
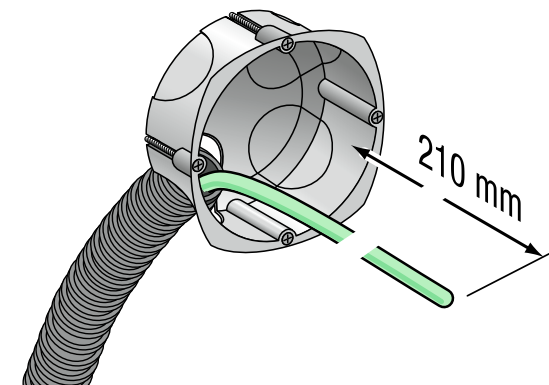


F/FTP



VDIR580020

x1



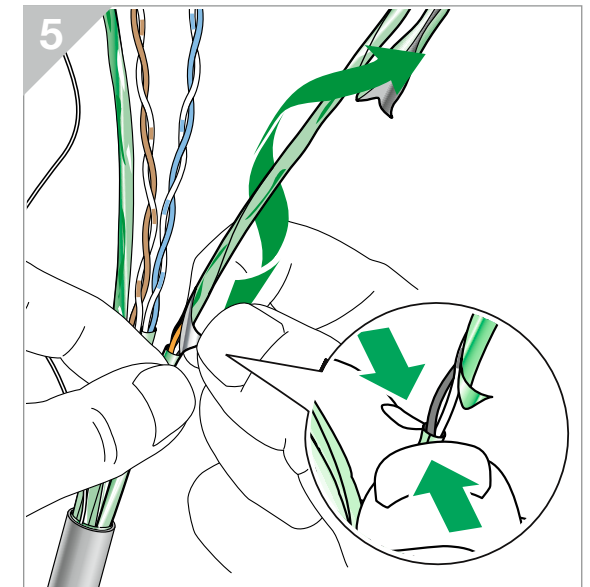
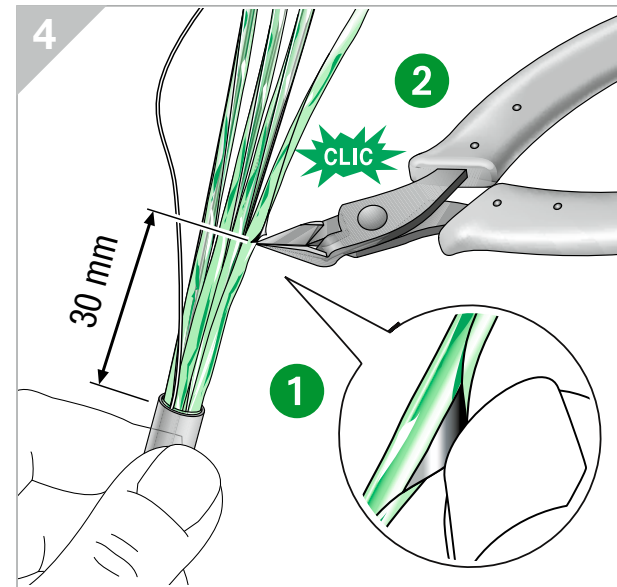
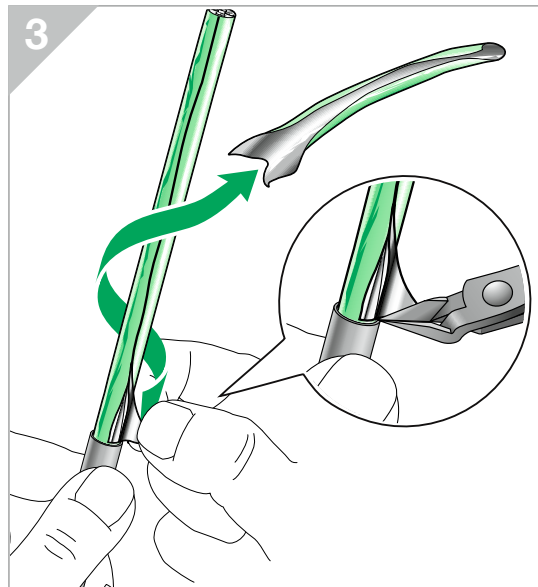
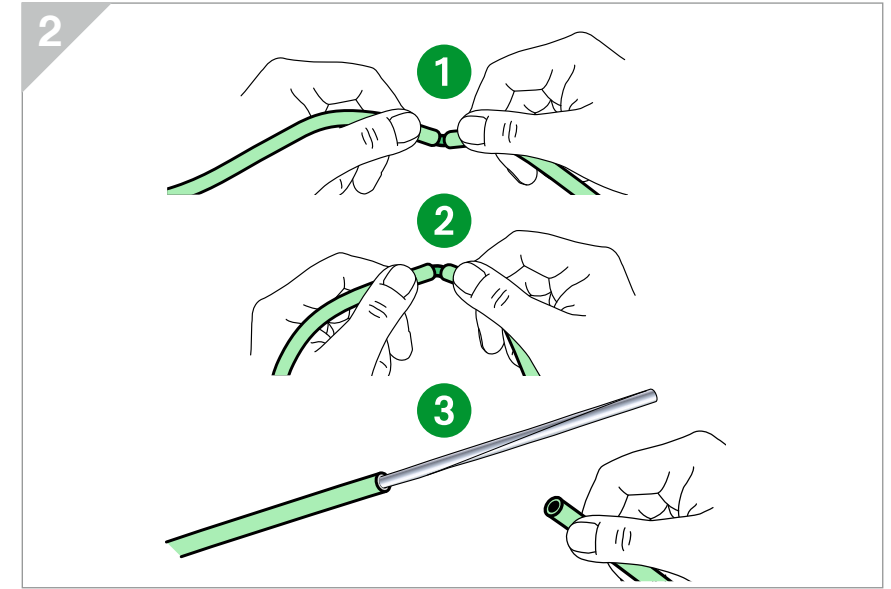
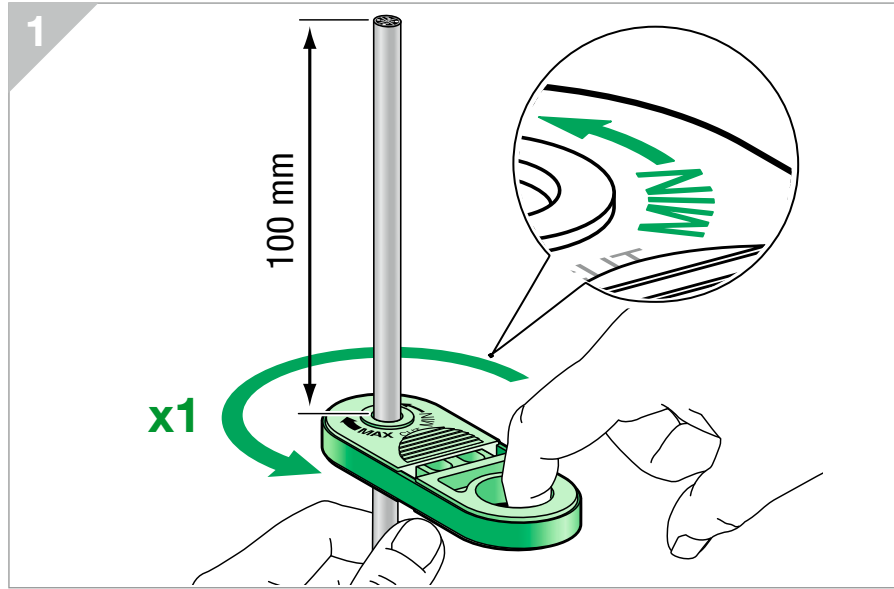
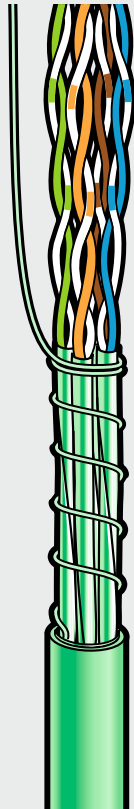
1

2

3

Cable preparation

F/FTP

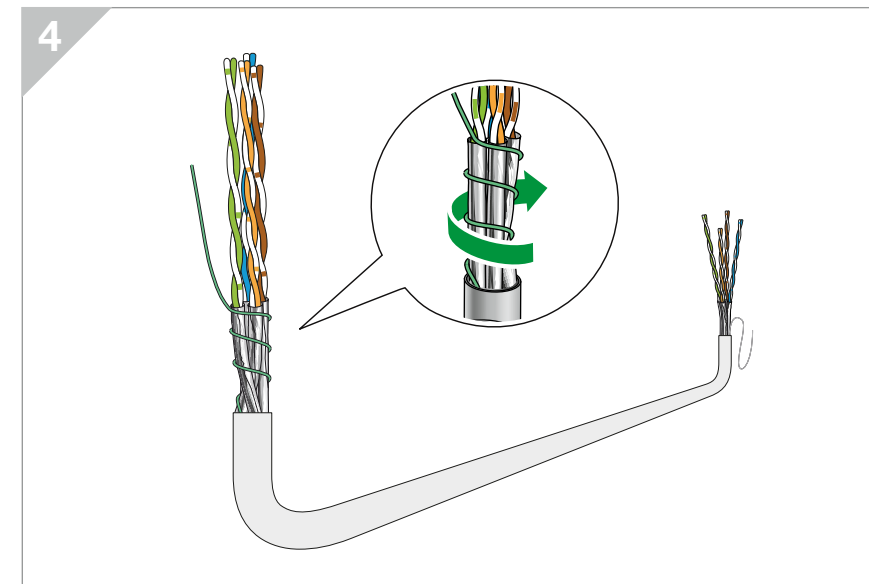
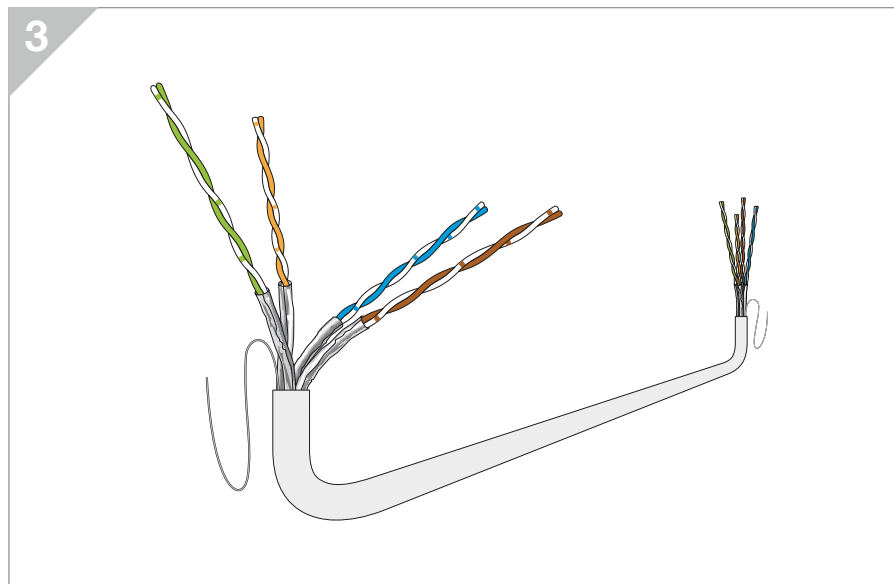
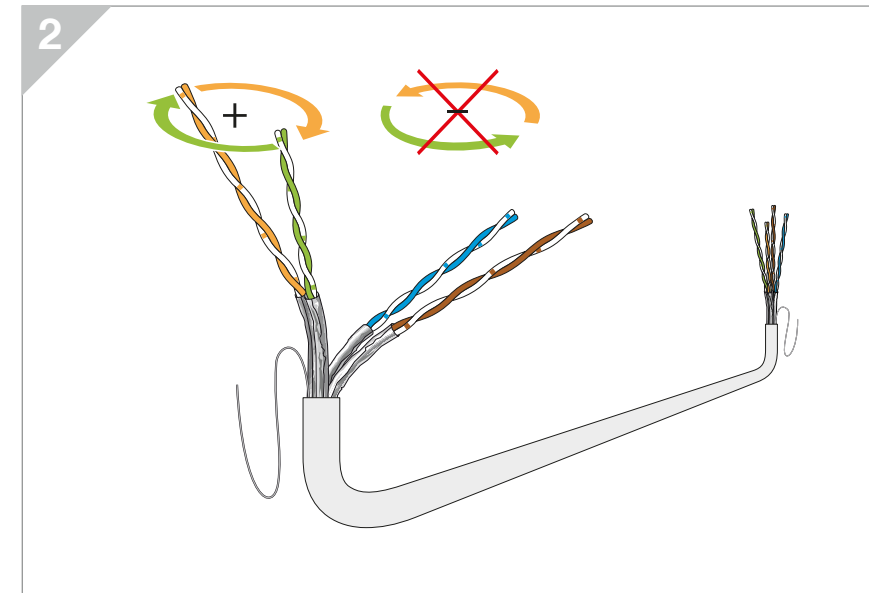
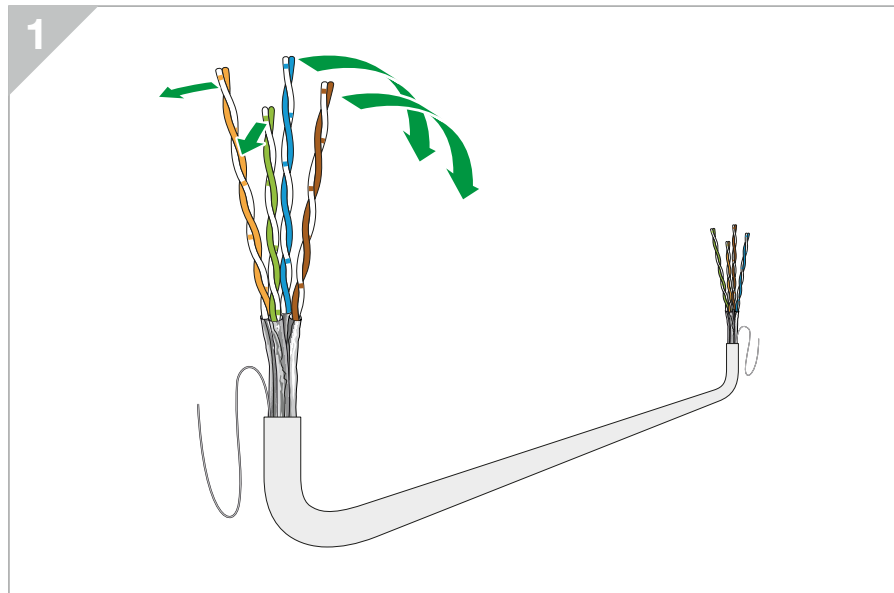
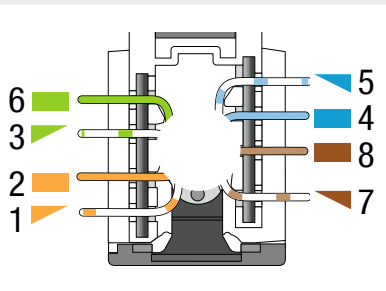


Pairs crossing

F/FTP

How to prepare a F/FTP cable acc. to T568B wiring code to reach high performance

EIA-TIA 568B (100Ω)

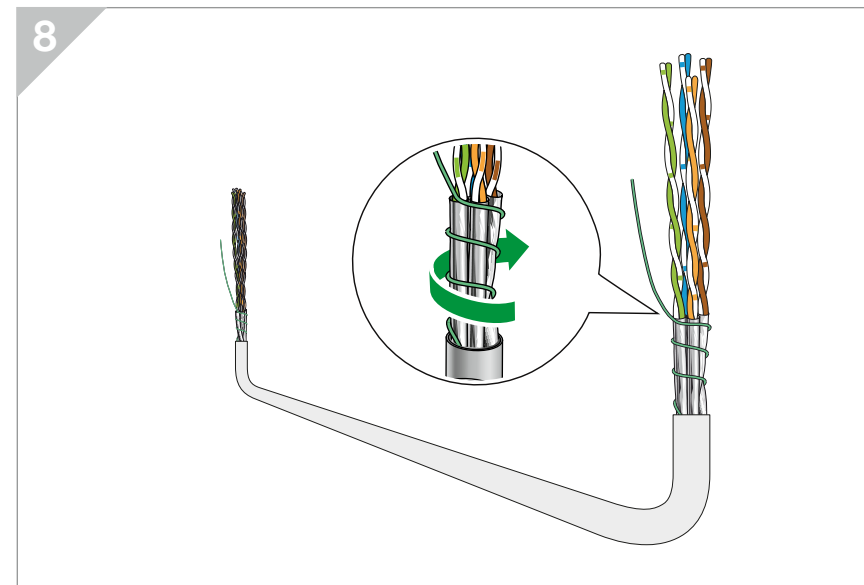
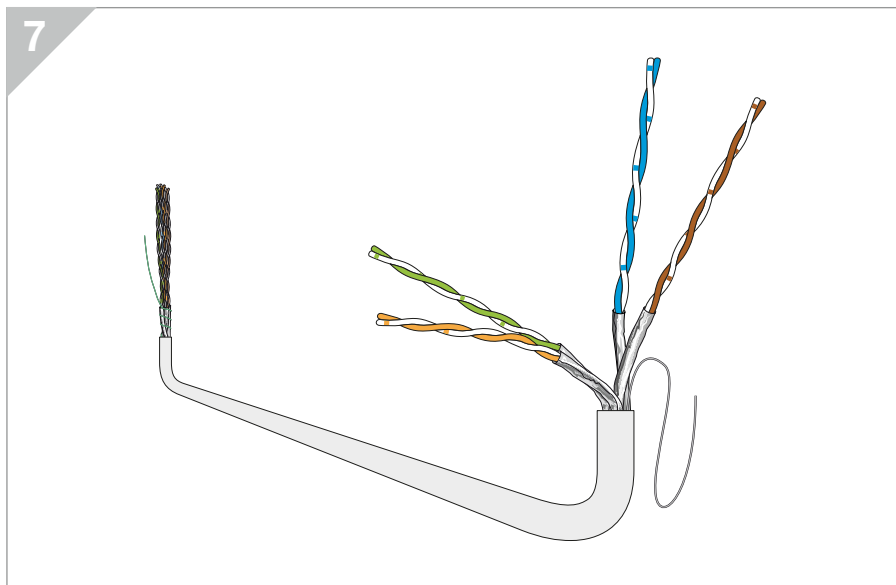
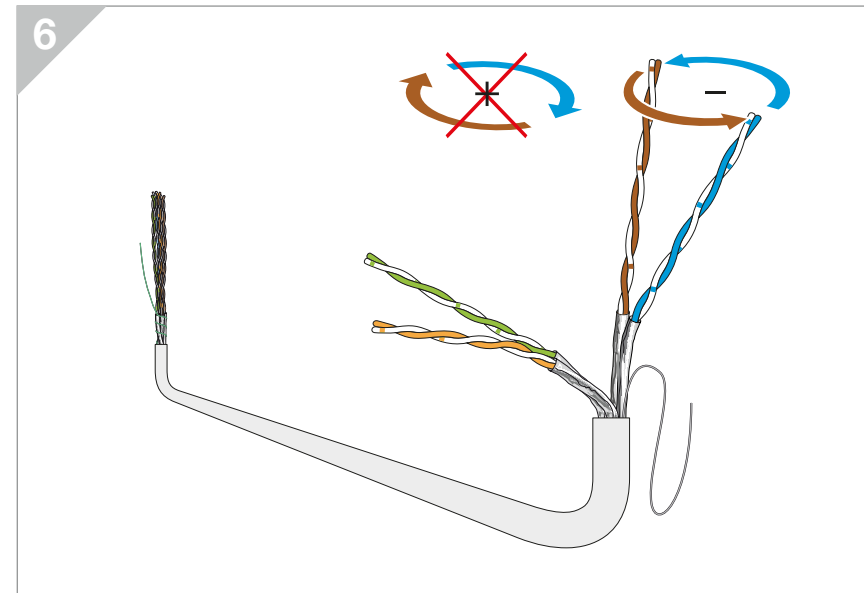
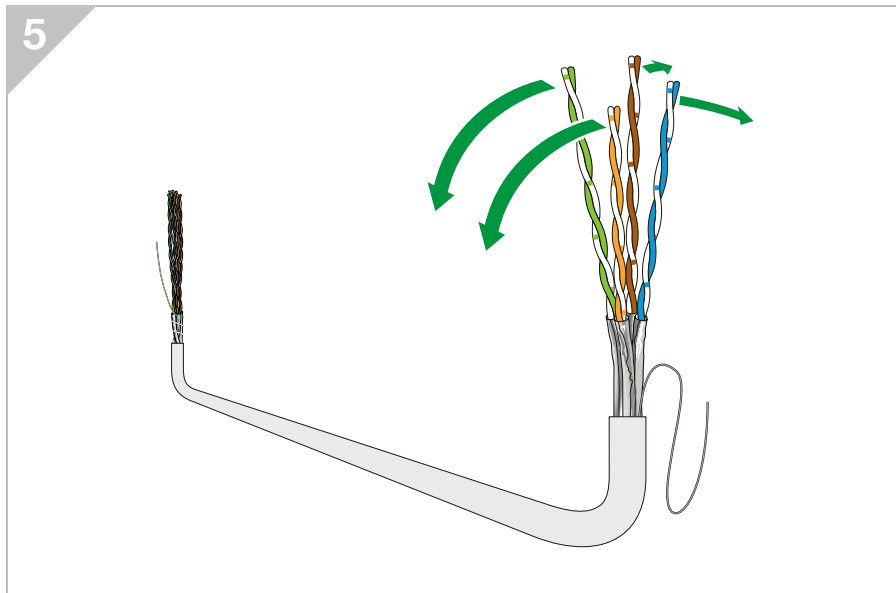
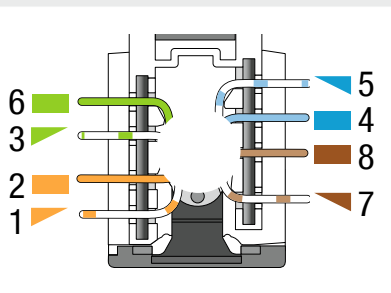


Pairs crossing

F/FTP

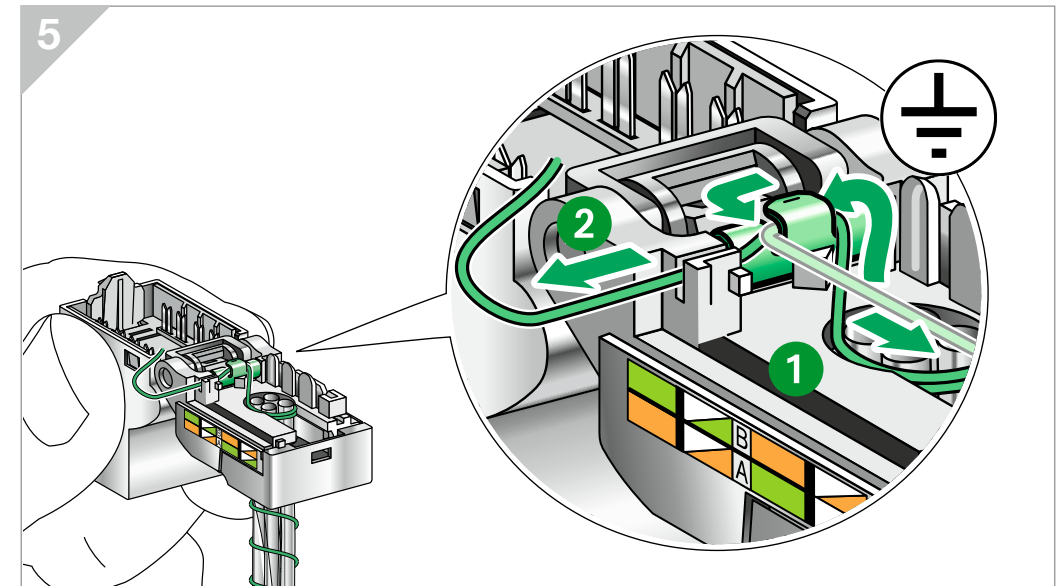
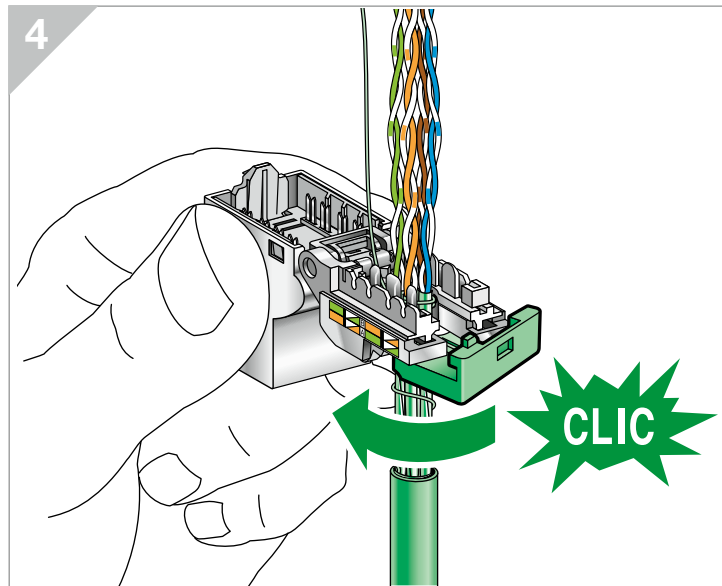
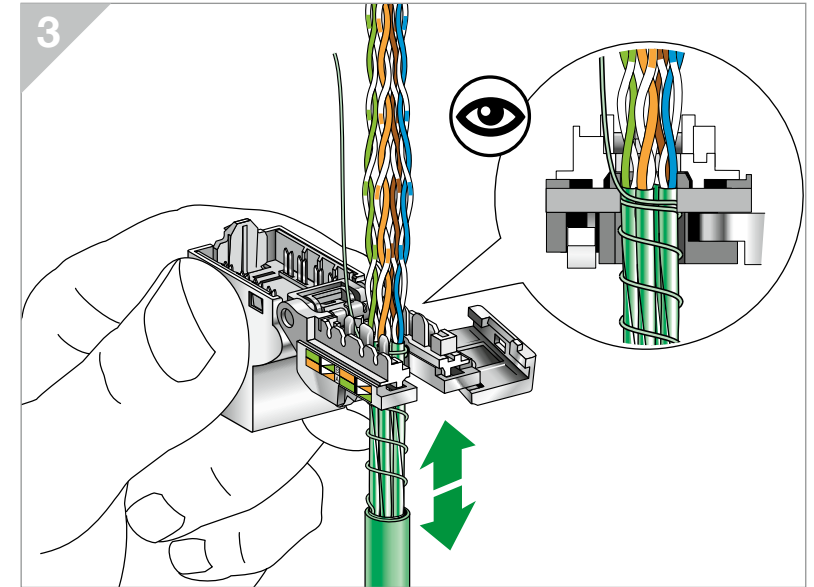
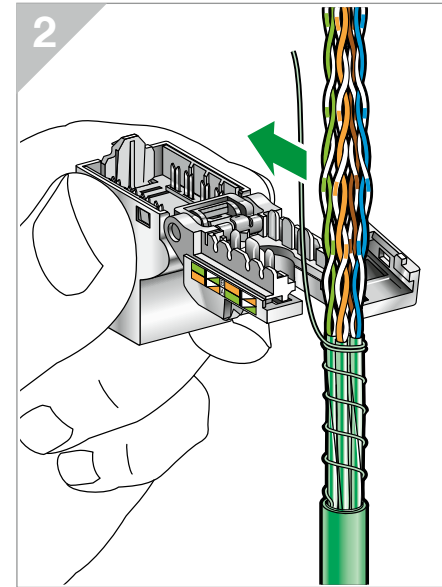
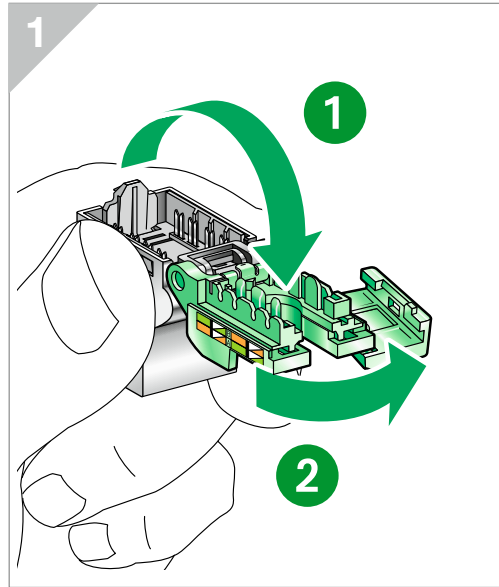
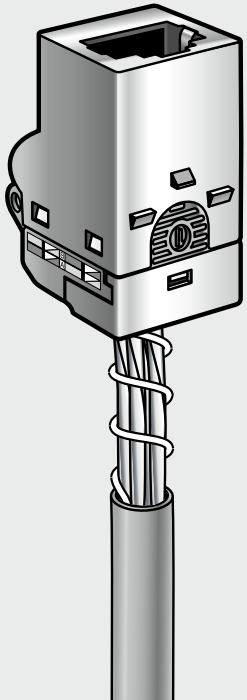
How to prepare a F/FTP cable acc. to T568B wiring code to reach high performance

EIA-TIA 568B (100Ω)



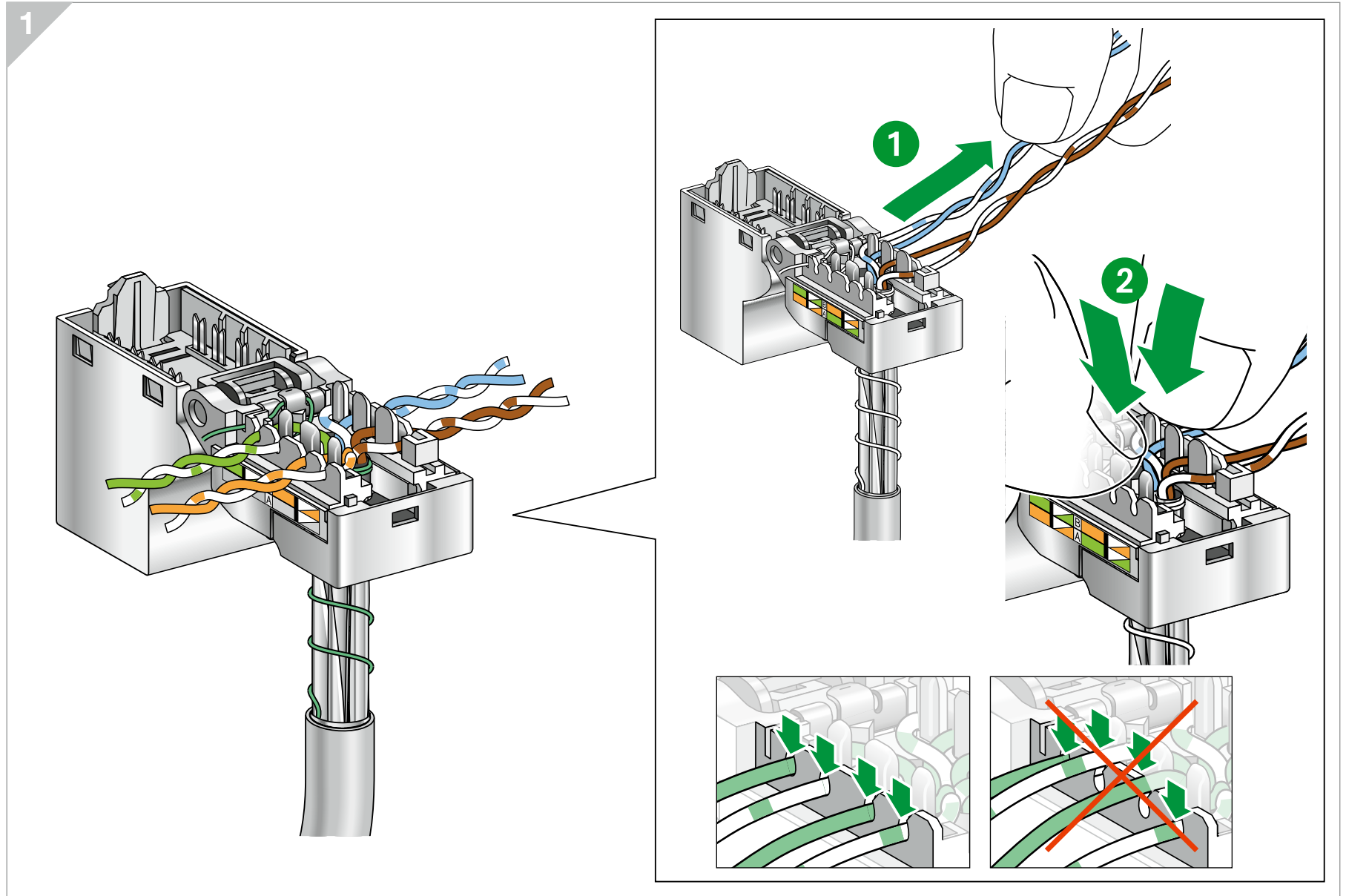
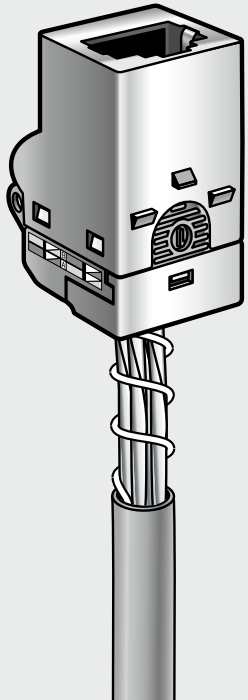
Connector termination

F/FTP



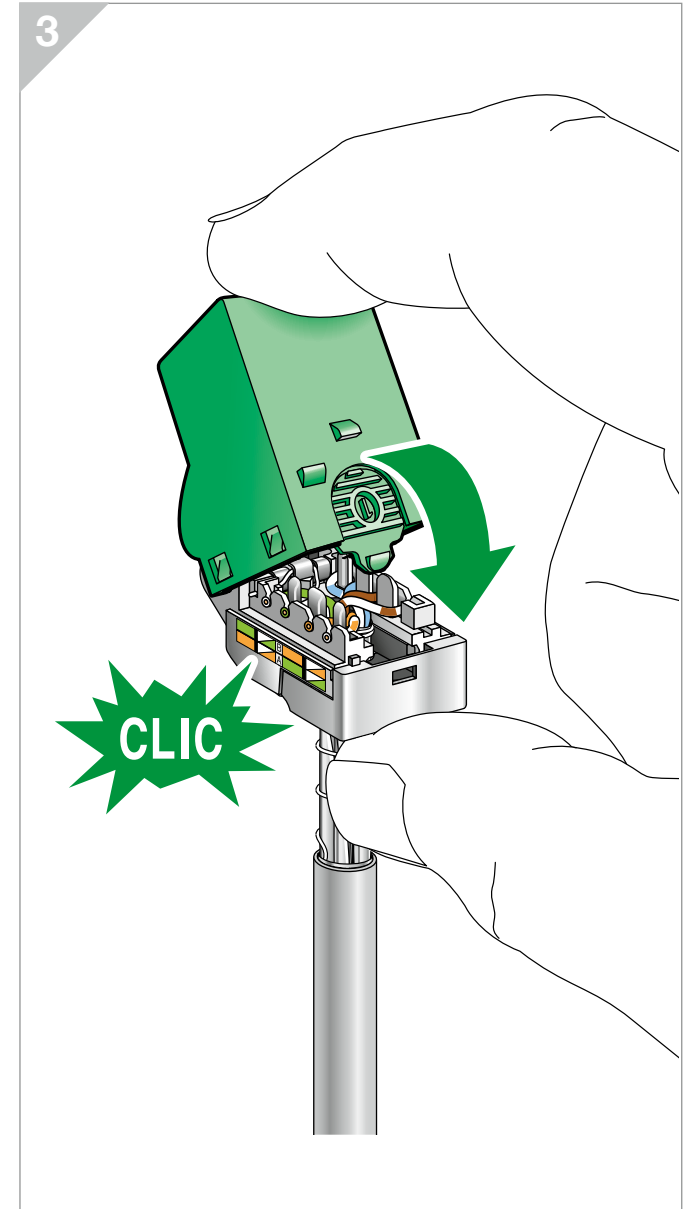
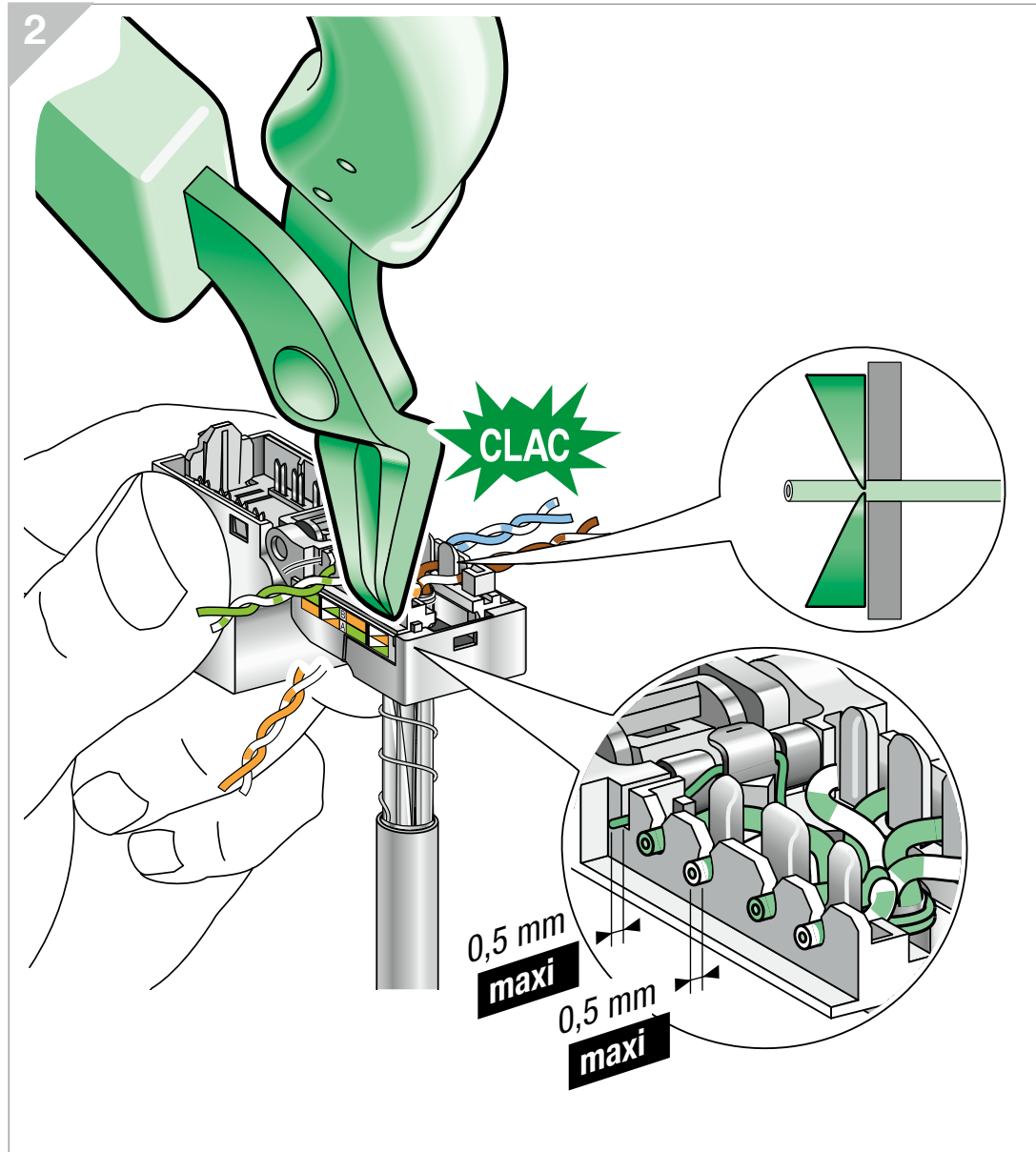
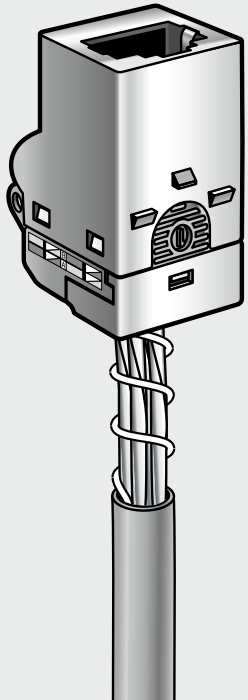
Connector connection

F/FTP



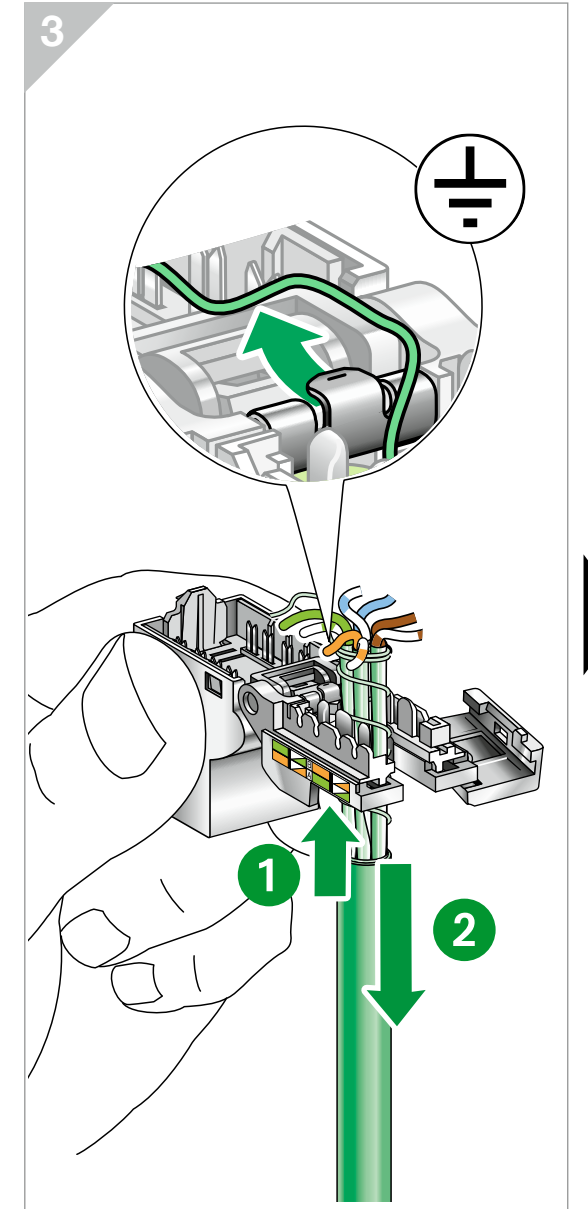
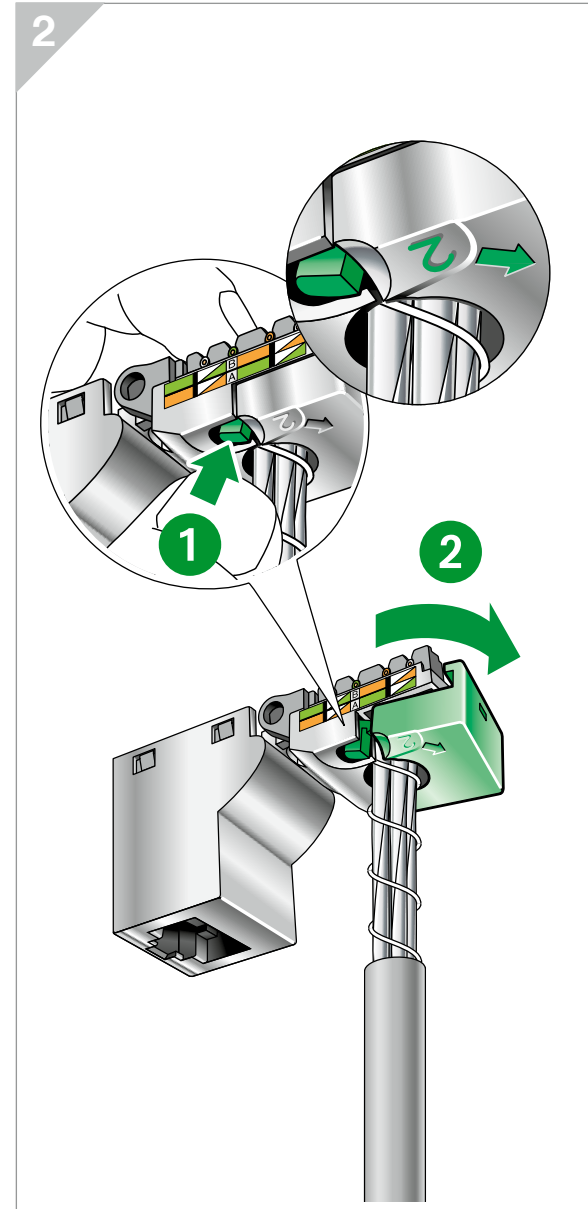
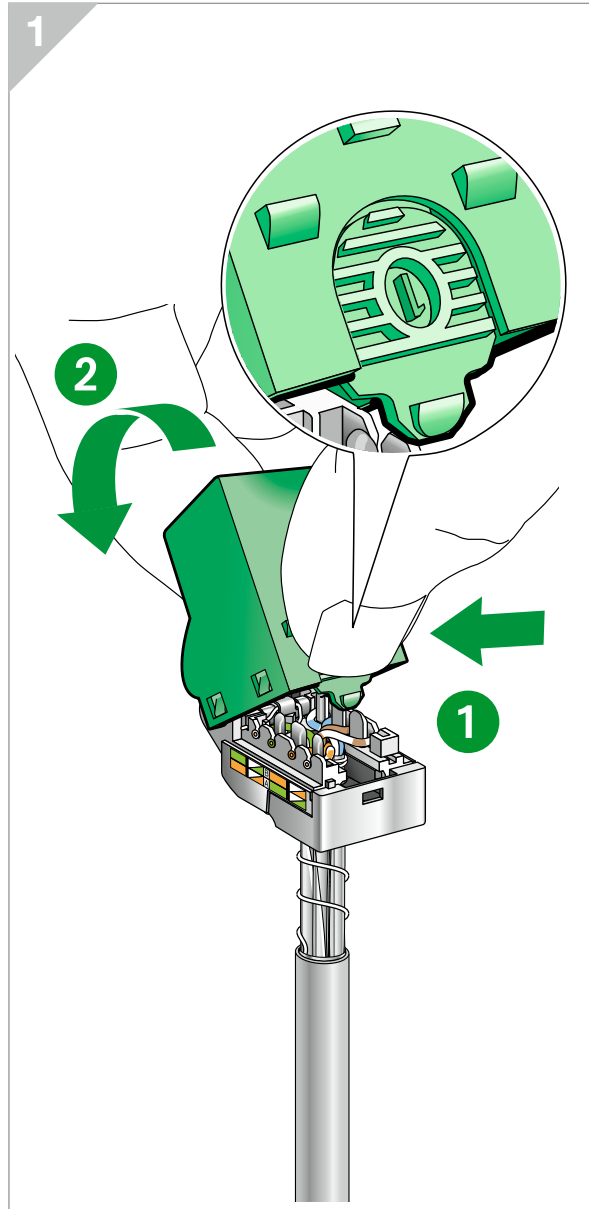
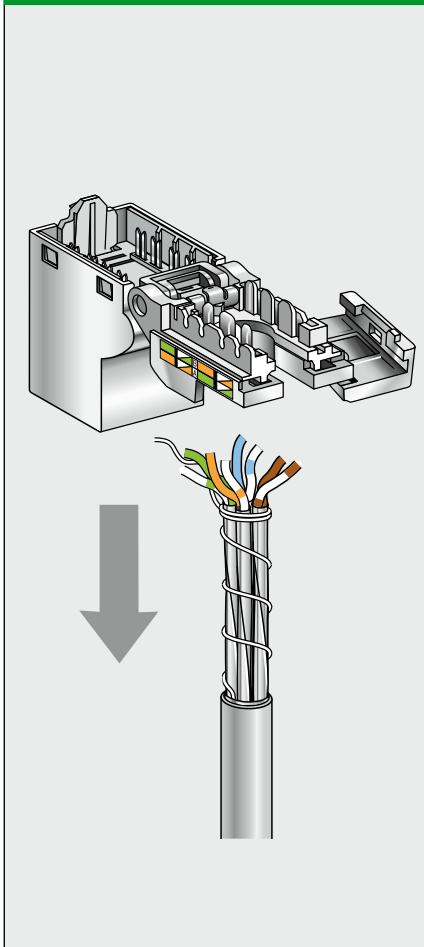
Connector connection

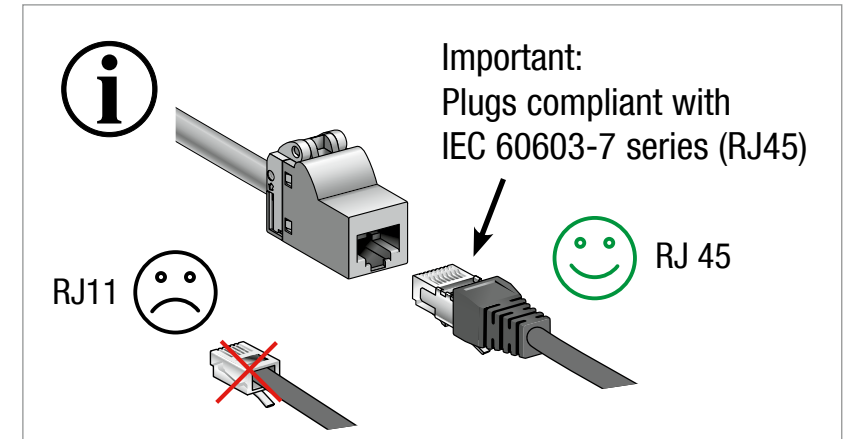
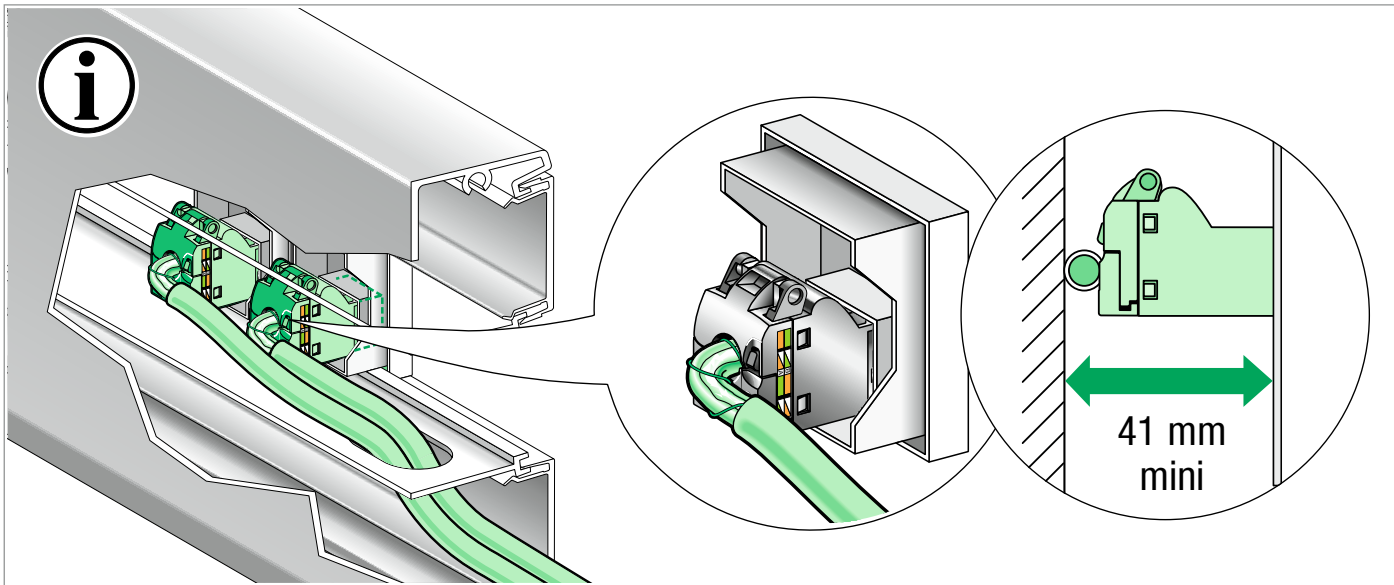
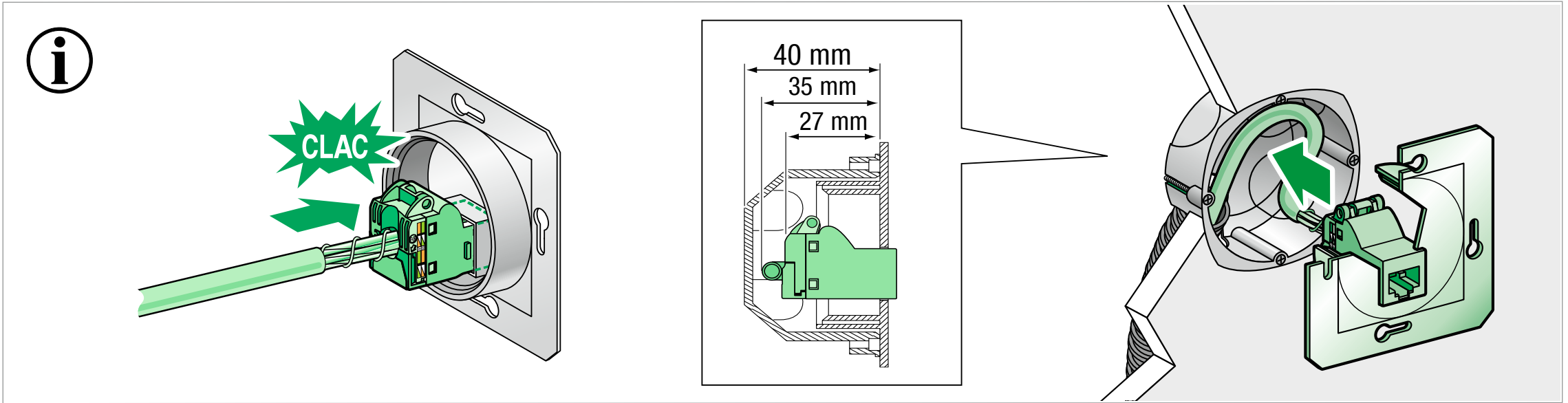
F/FTP



Connector disconnection

F/FTP

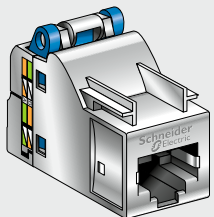




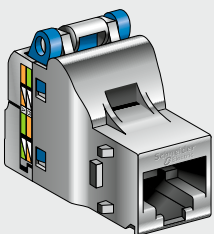
Composition

Shielded connector

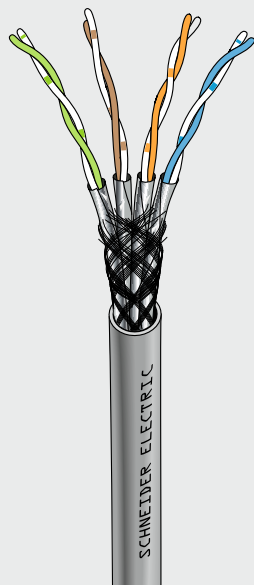
S-One



S-One DPM

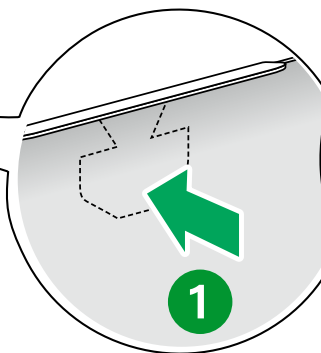
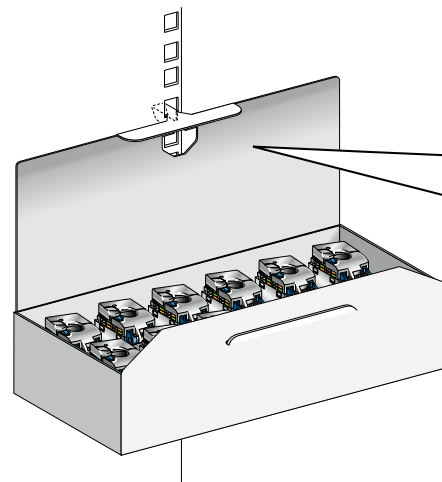
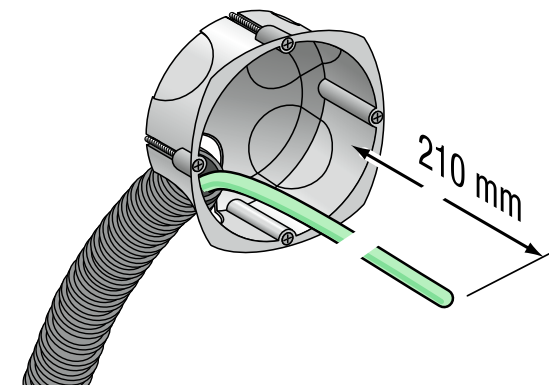


S/FTP



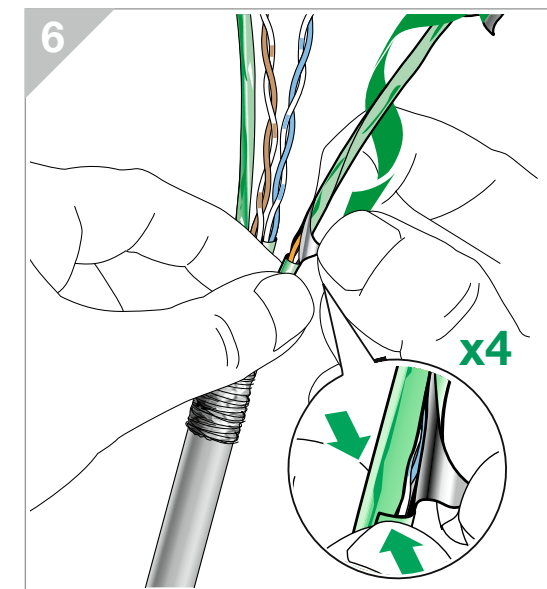
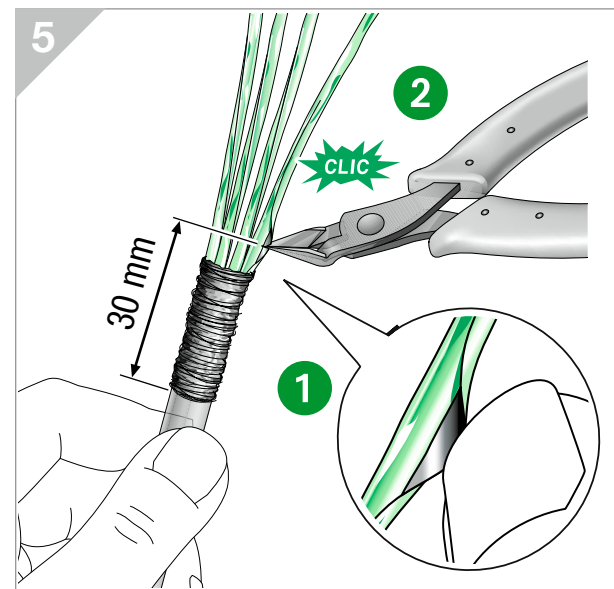
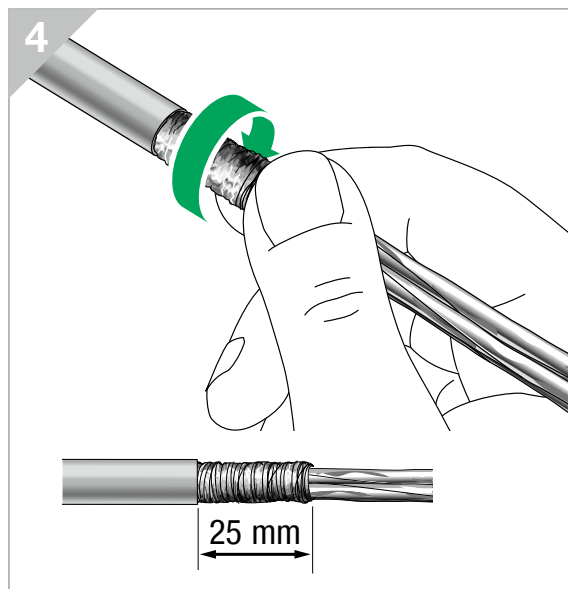
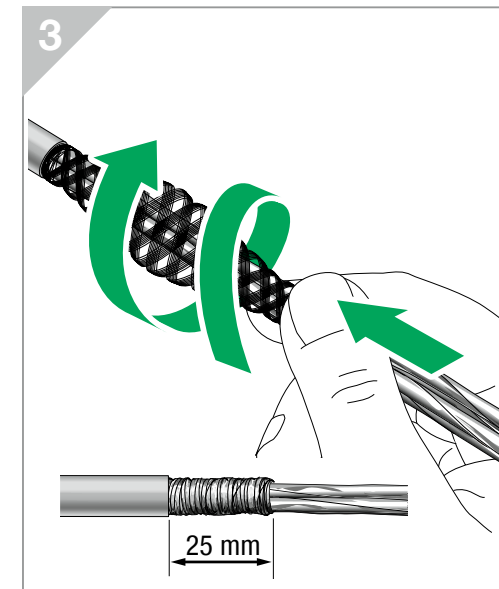
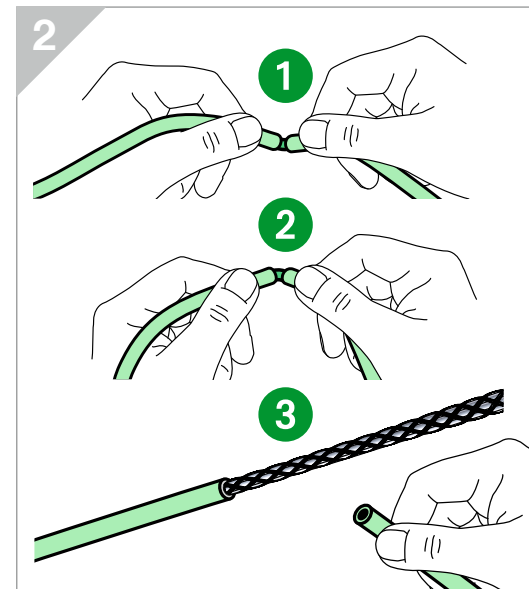
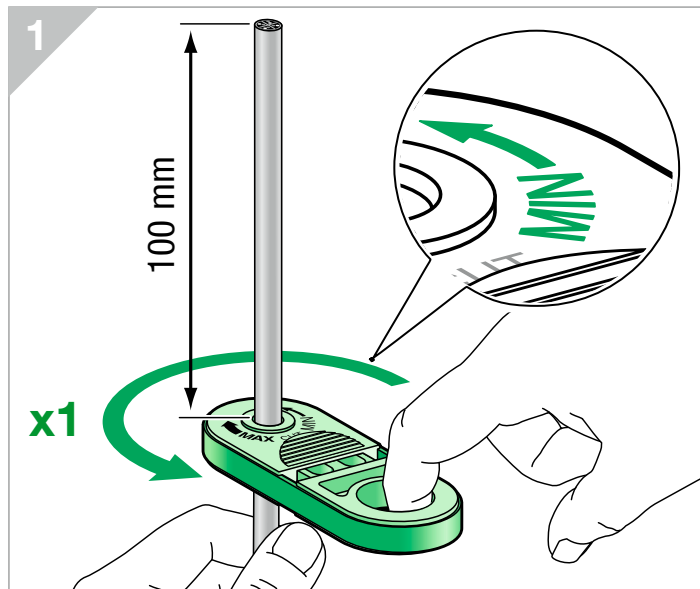
VDIR580020

x1



Cable preparation

S/FTP

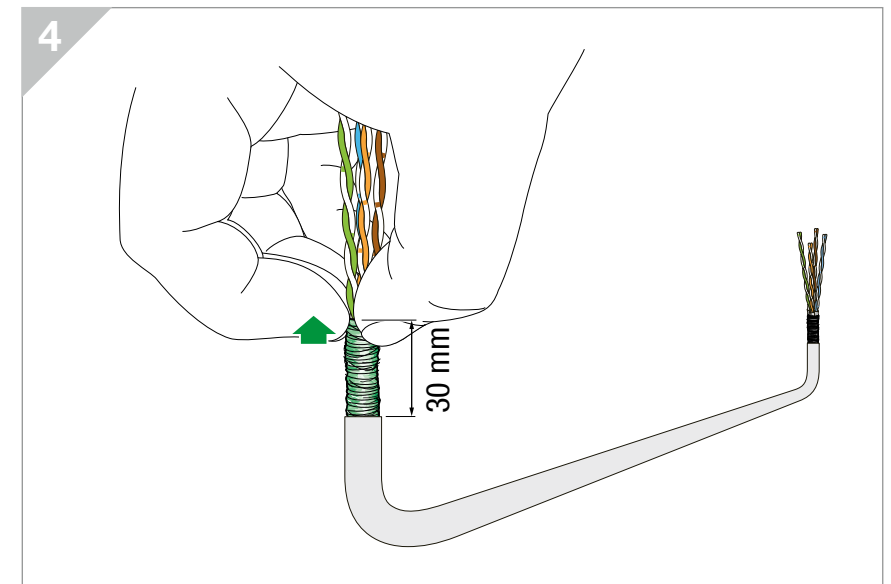
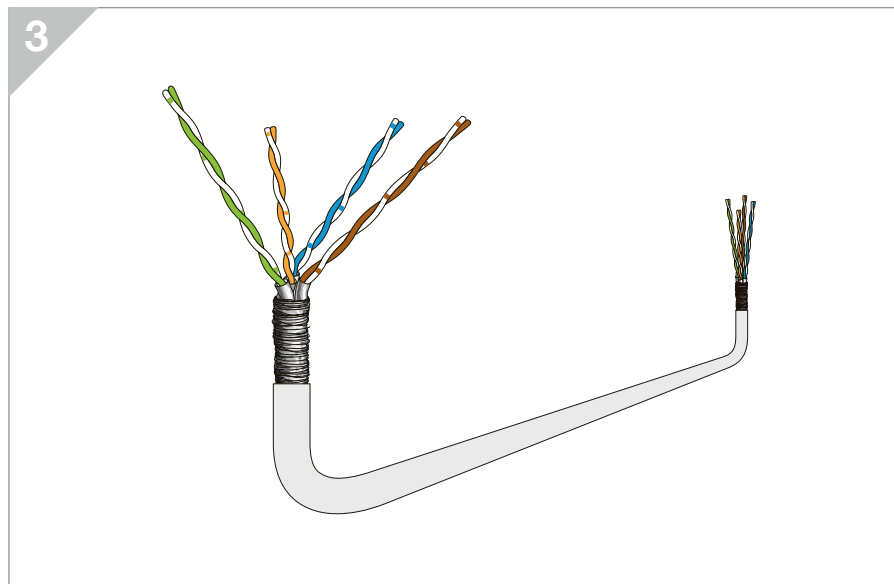
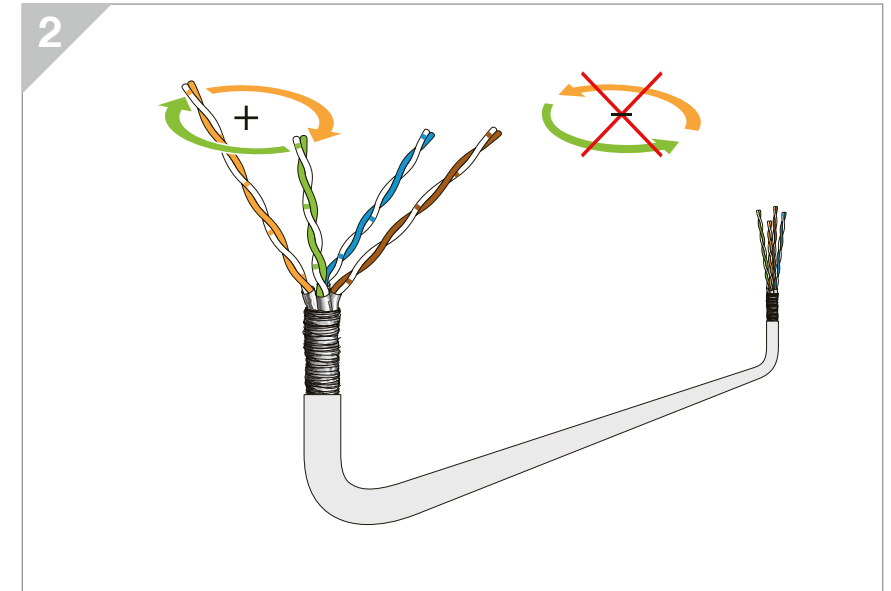
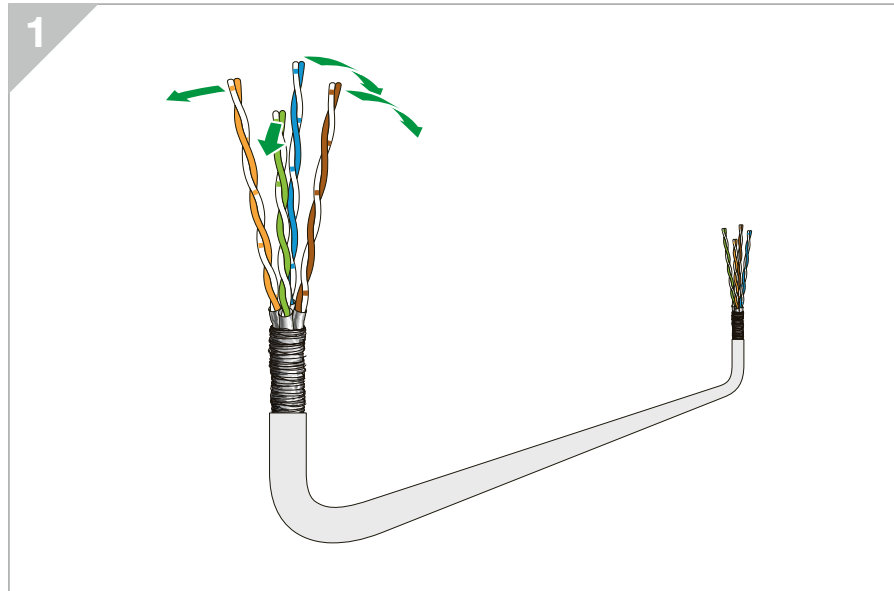
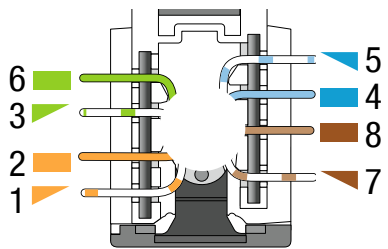


Pairs crossing

S/FTP

How to prepare a S/FTP cable acc. to T568B wiring code to reach high performance

EIA-TIA 568B (100Ω)

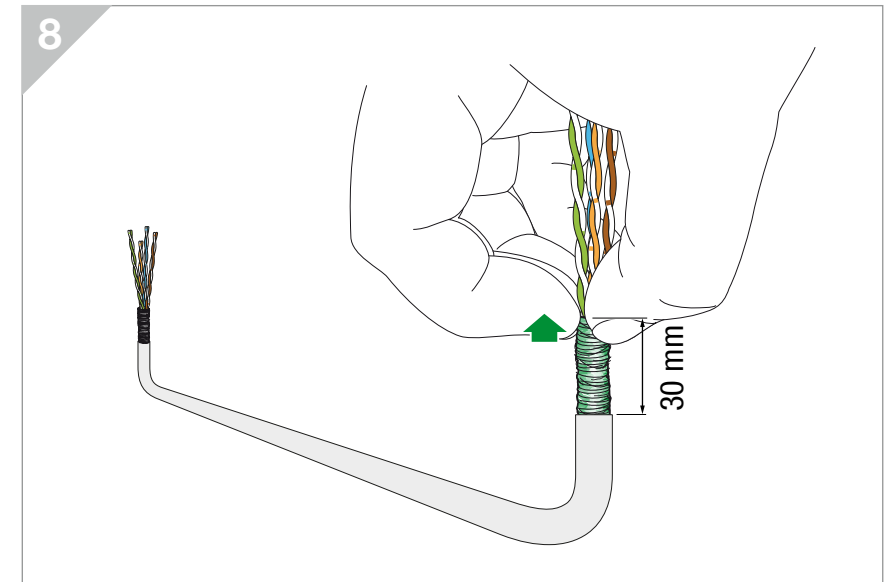
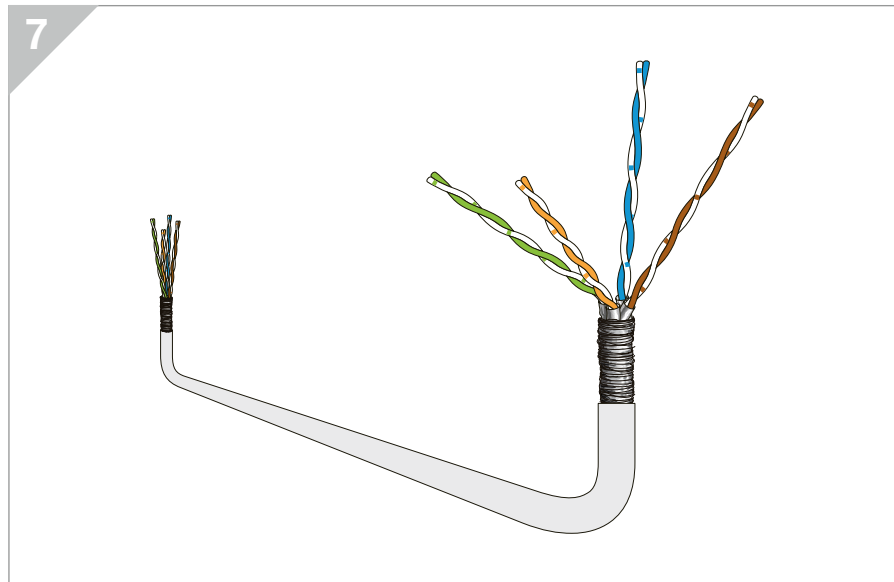
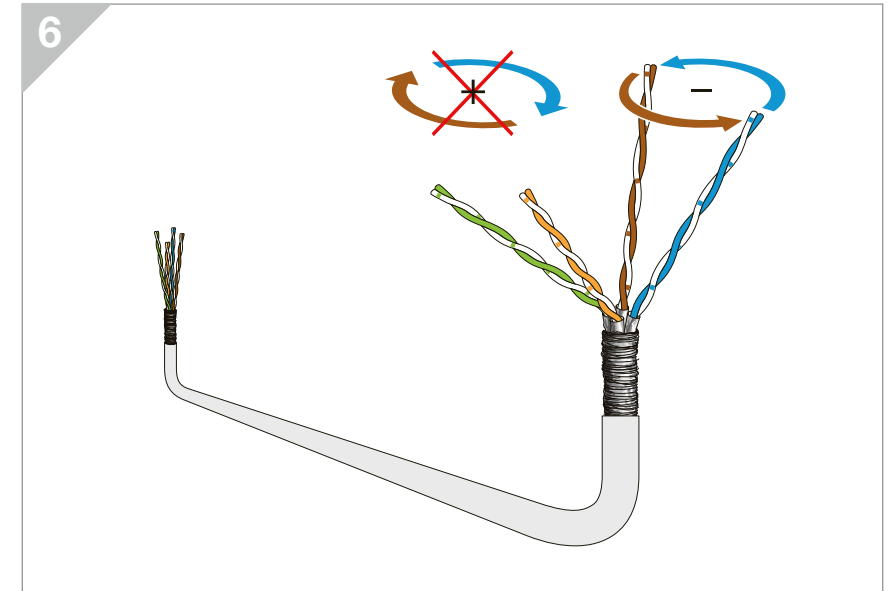
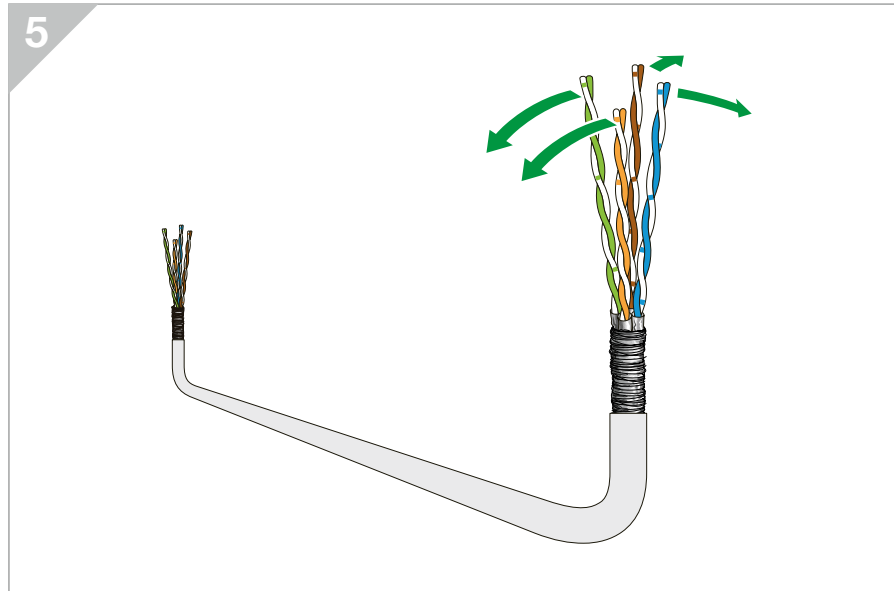
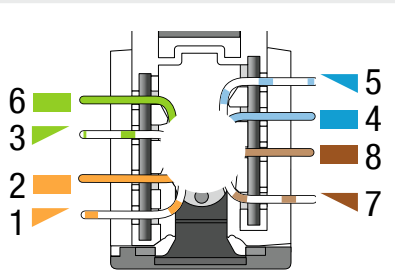


Pairs crossing

S/FTP

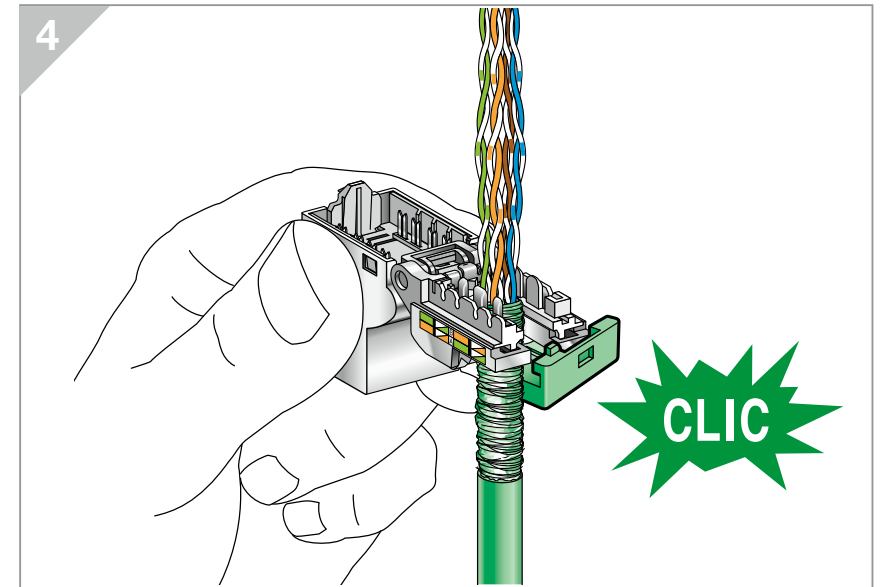
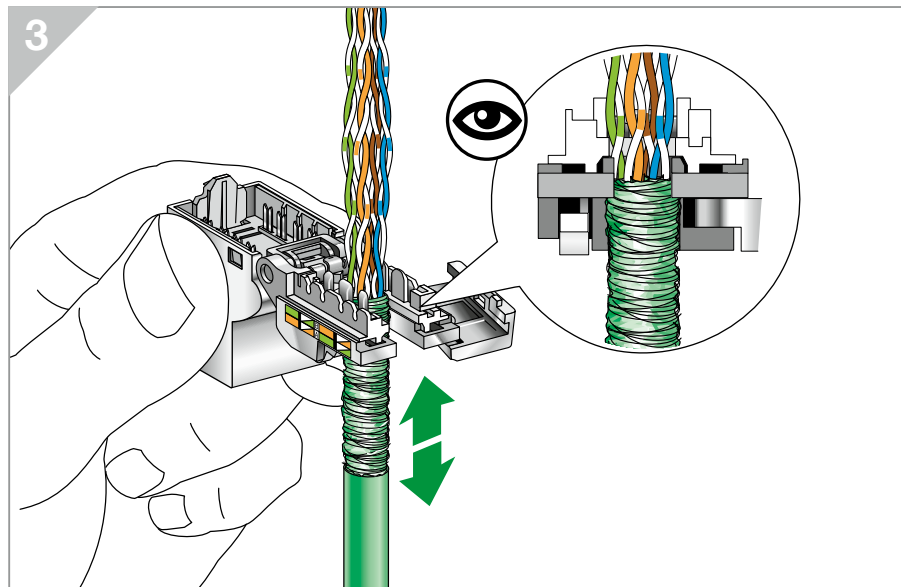
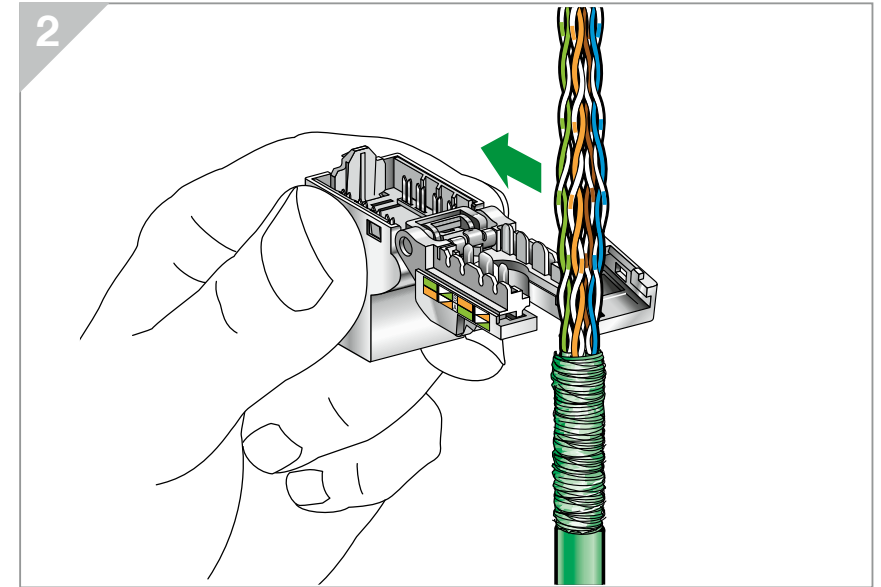
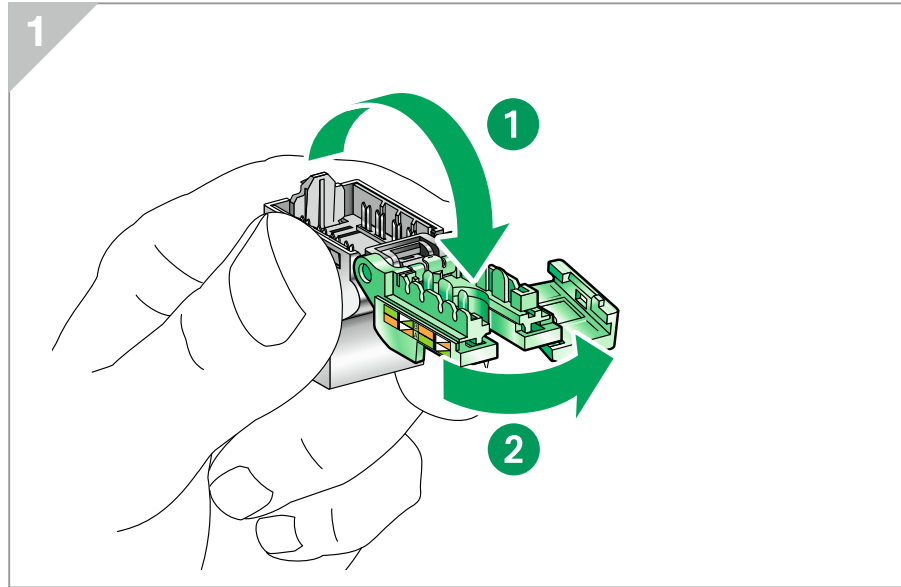
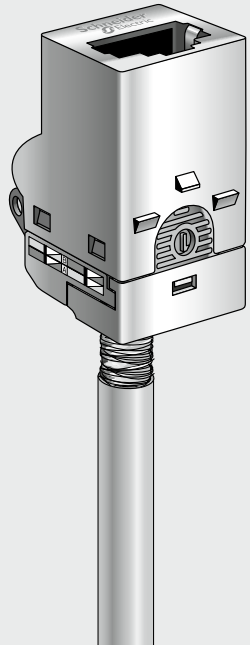
How to prepare a S/FTP cable acc. to T568B wiring code to reach high performance

EIA-TIA 568B (100Ω)



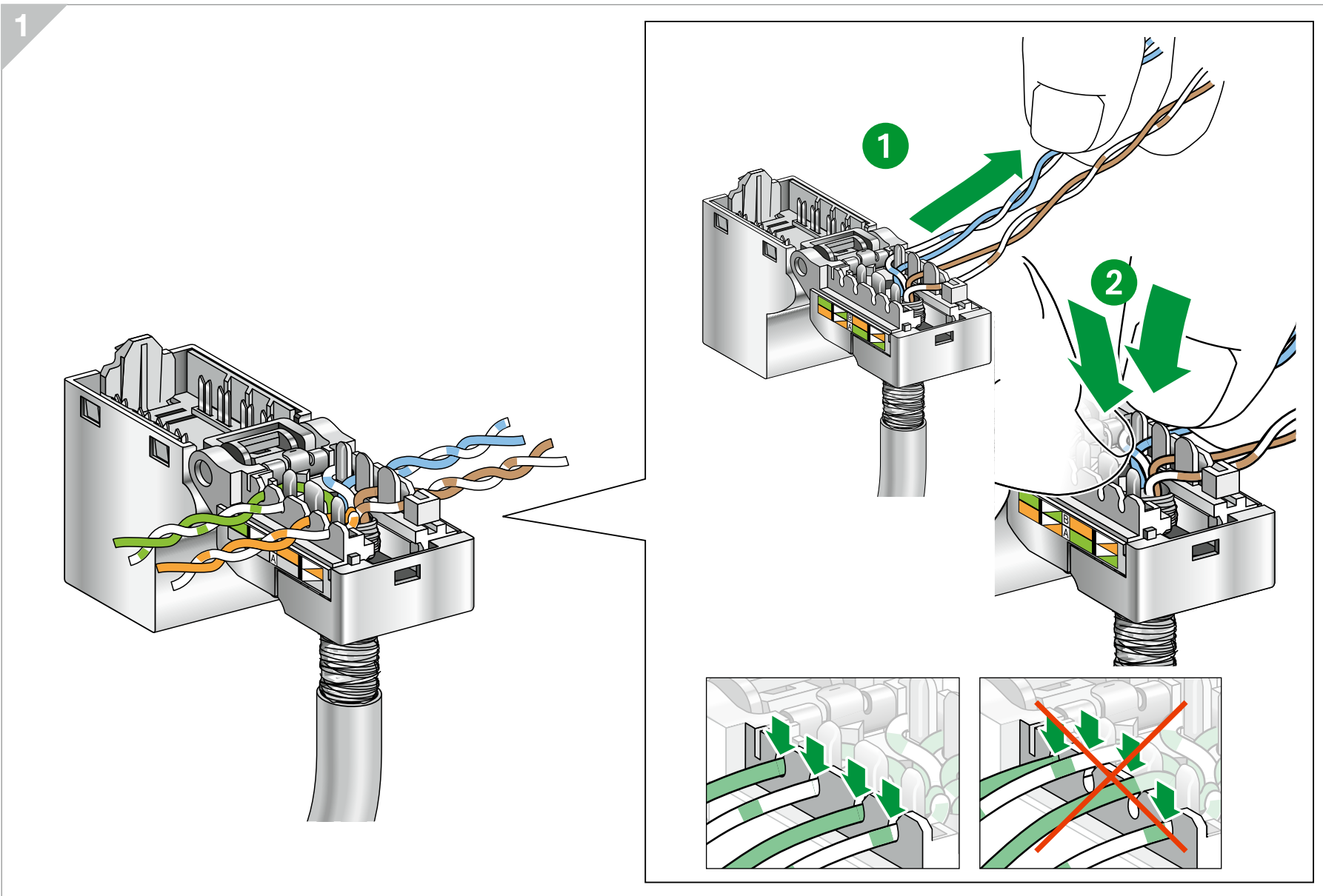
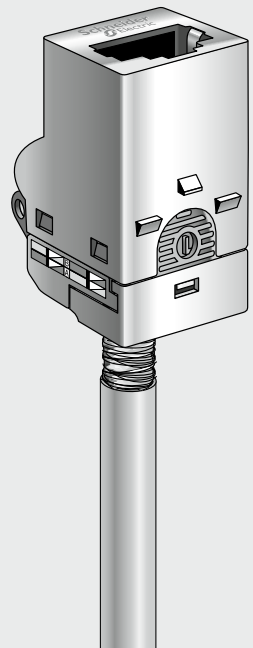
Connector termination

S/FTP



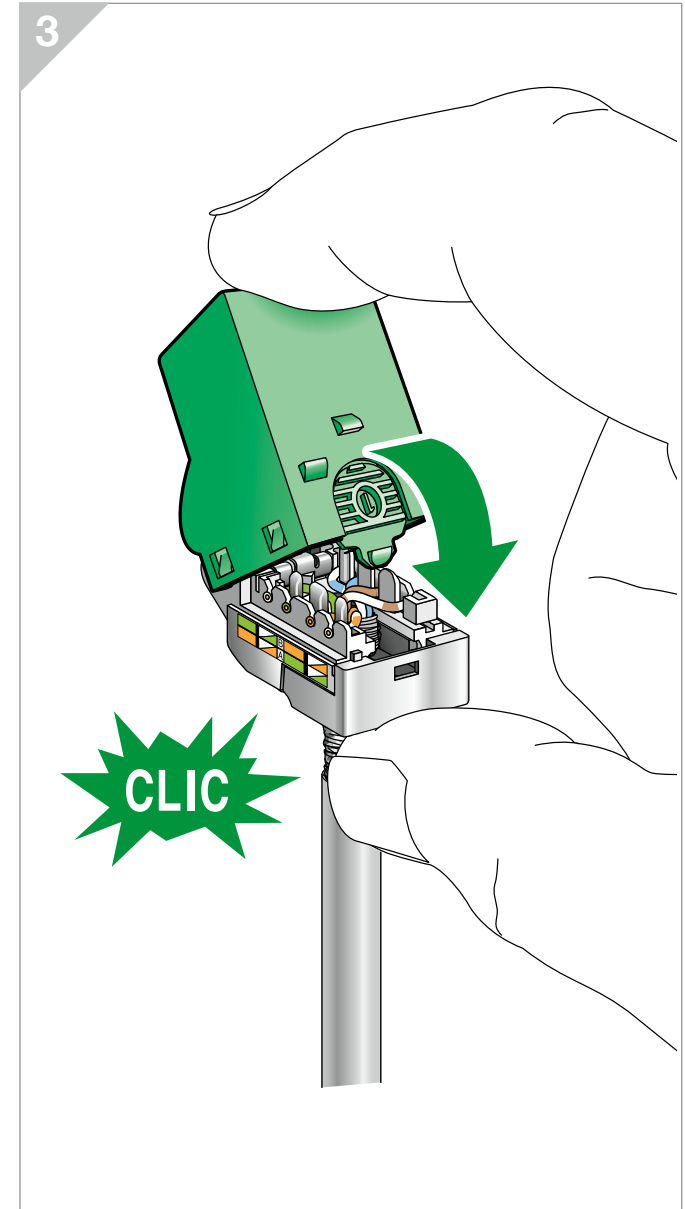
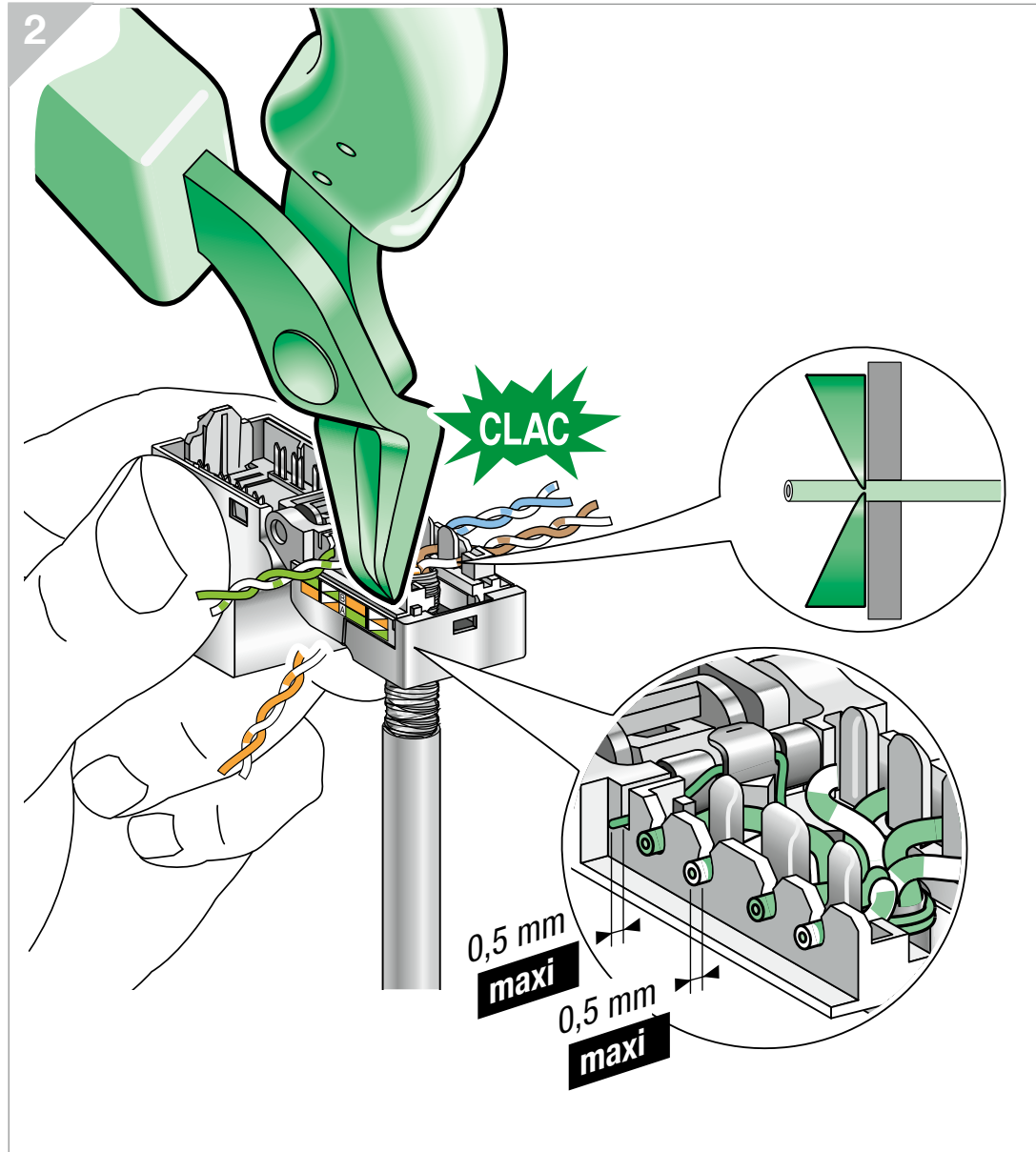
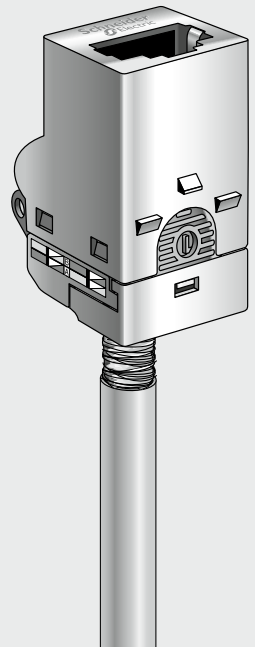
Connector connection

S/FTP



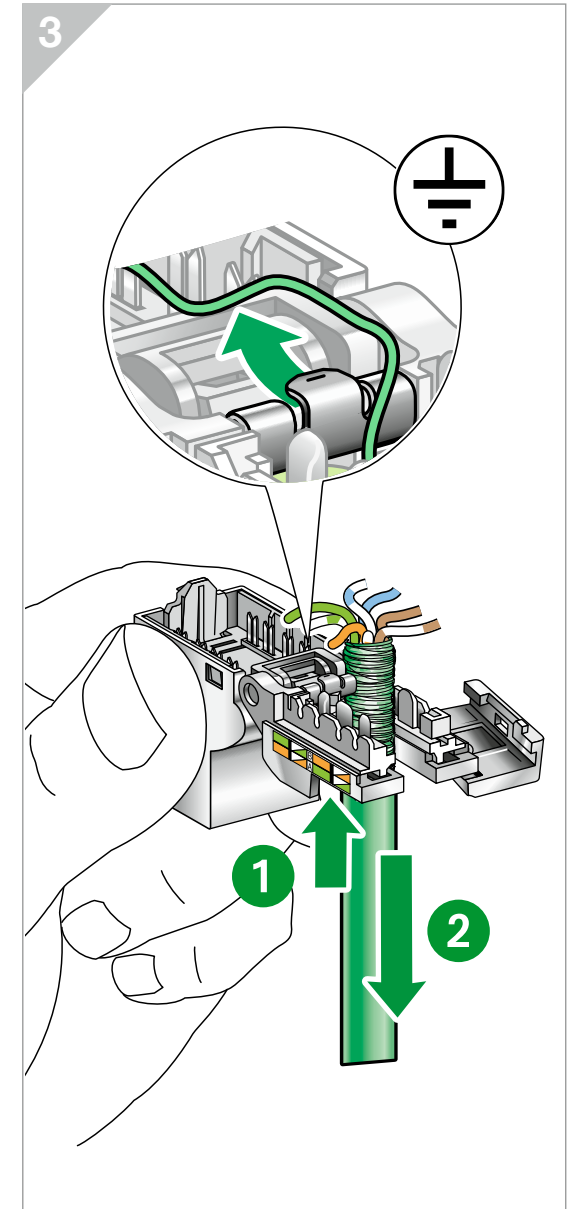
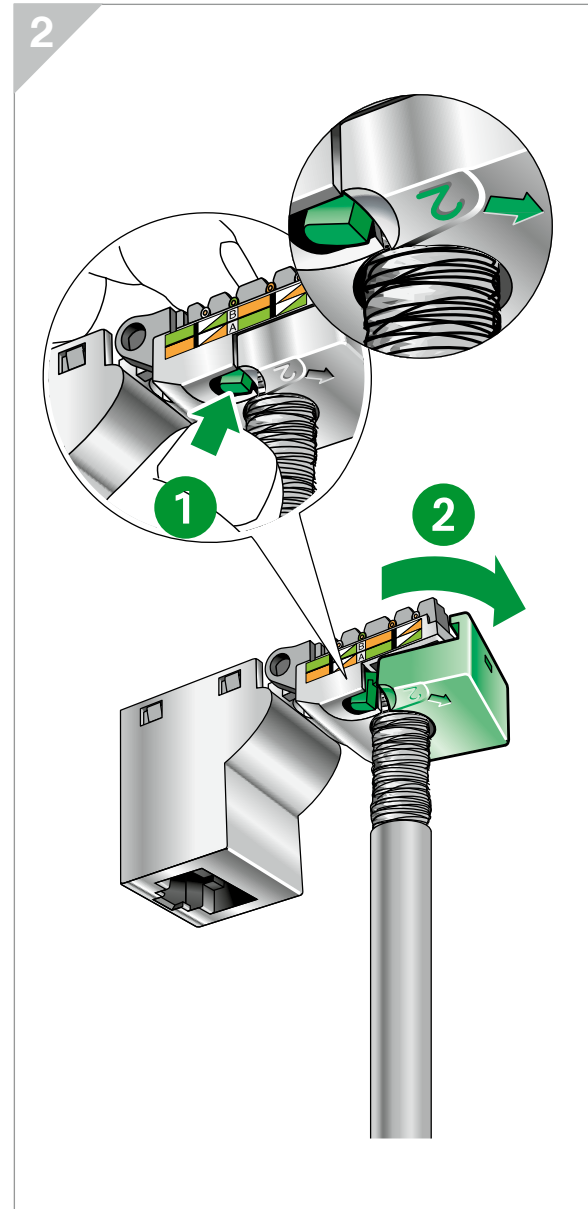
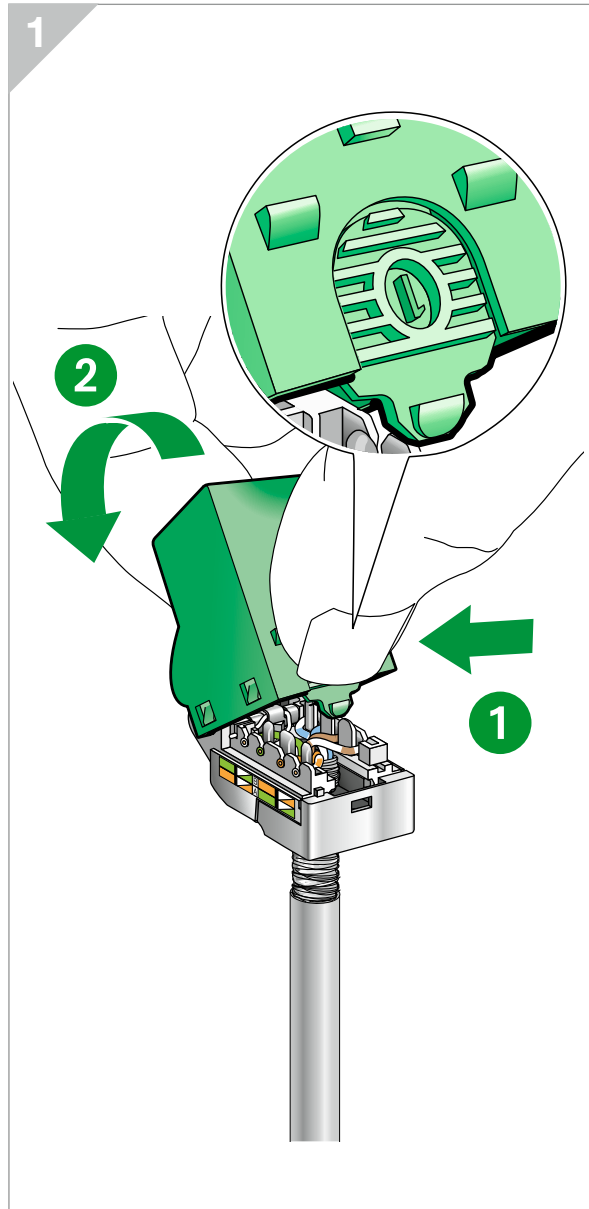
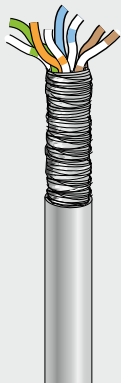
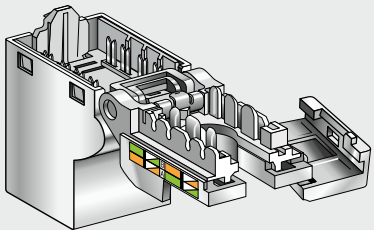
Connector connection

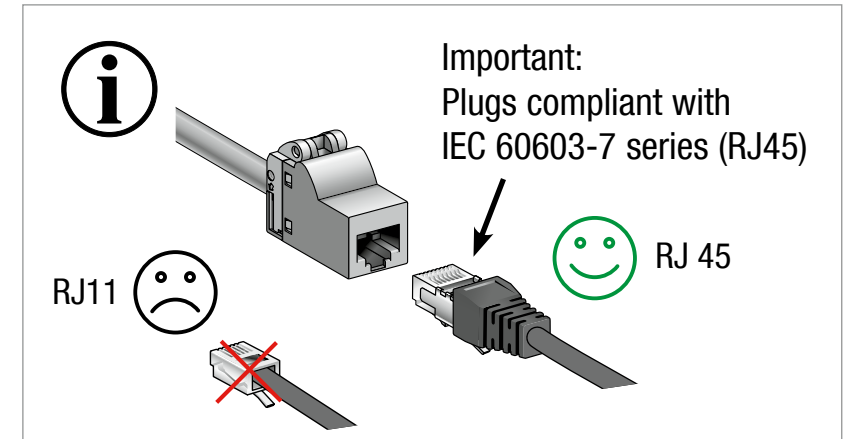
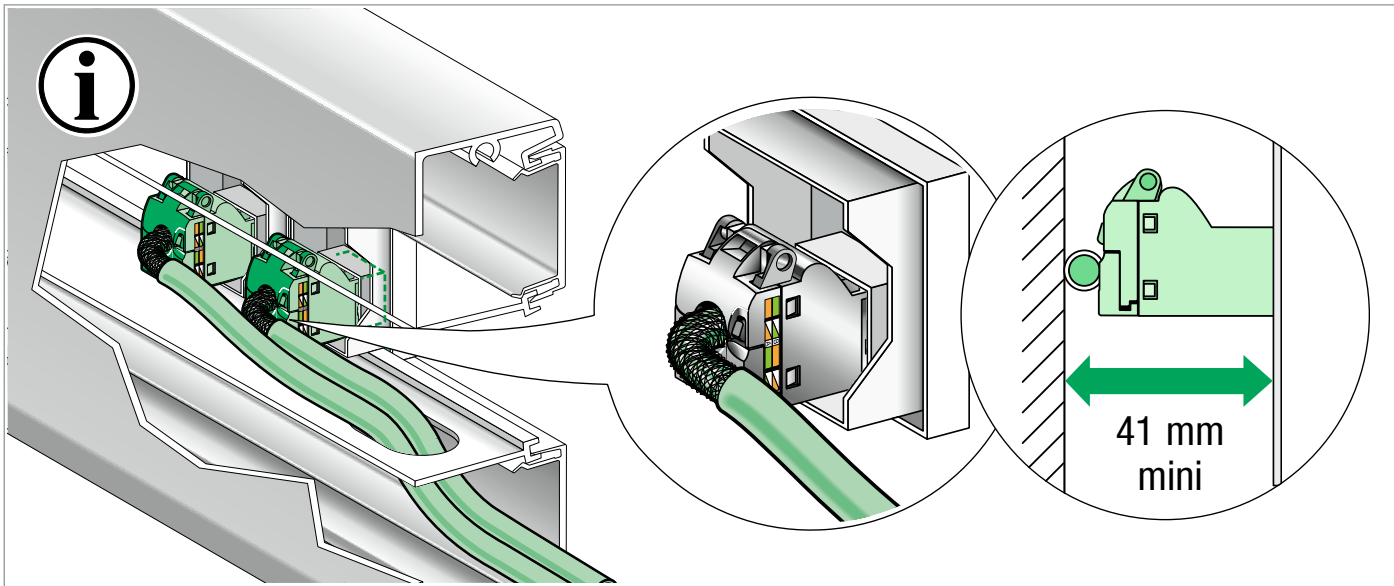
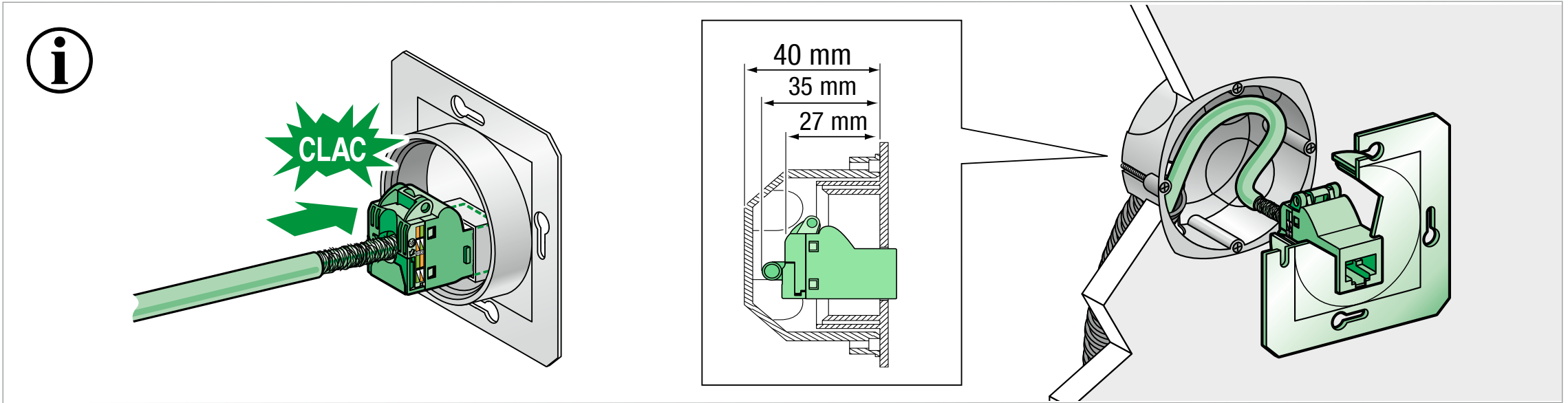
S/FTP



Connector disconnection

S/FTP

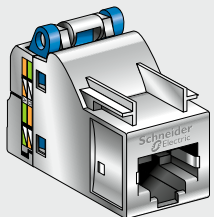




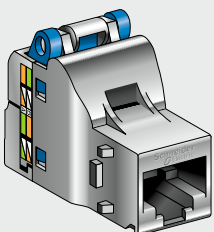
Composition

Shielded connector

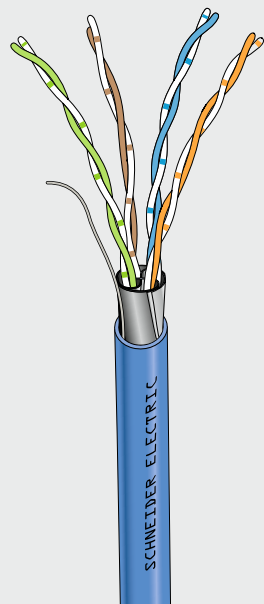
S-One



S-One DPM

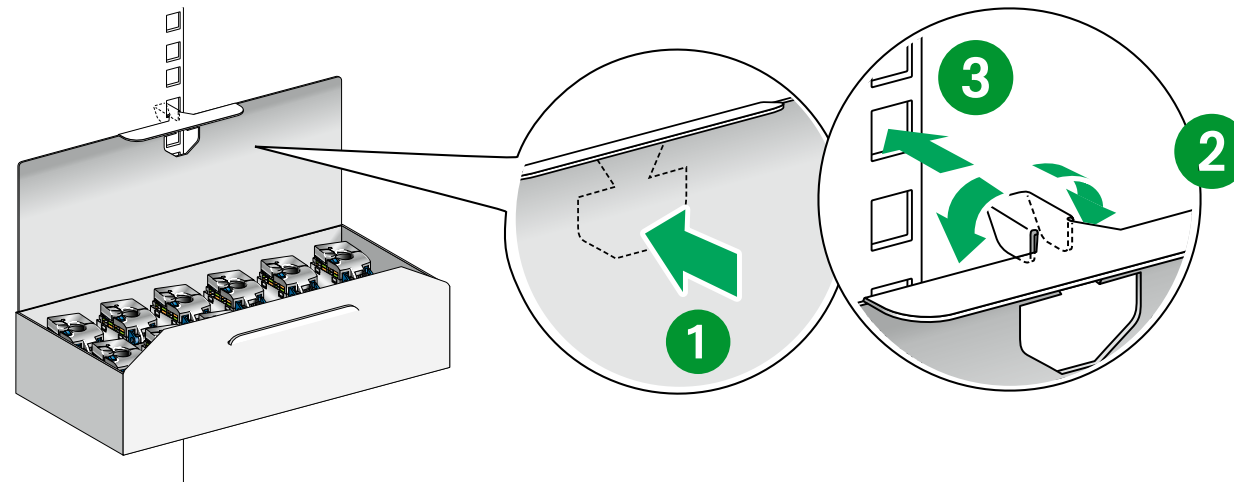
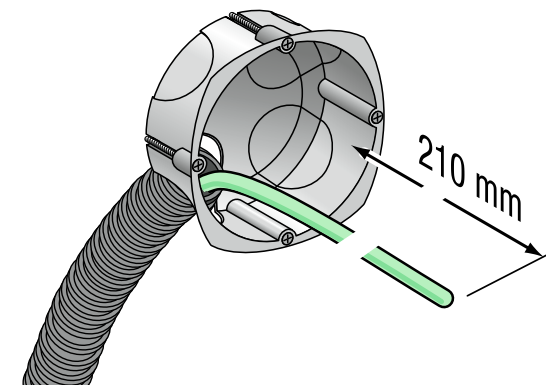


CLMX F/FTP



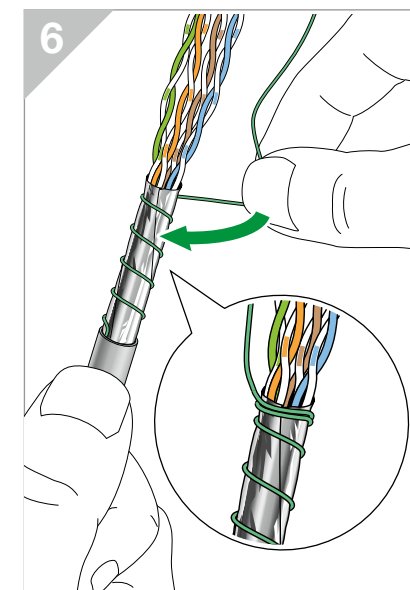
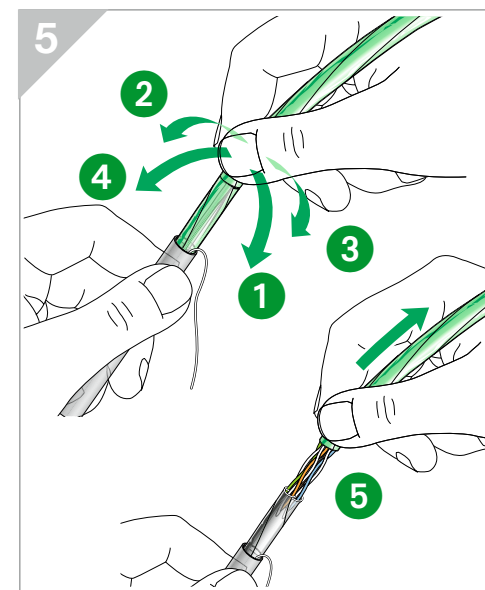
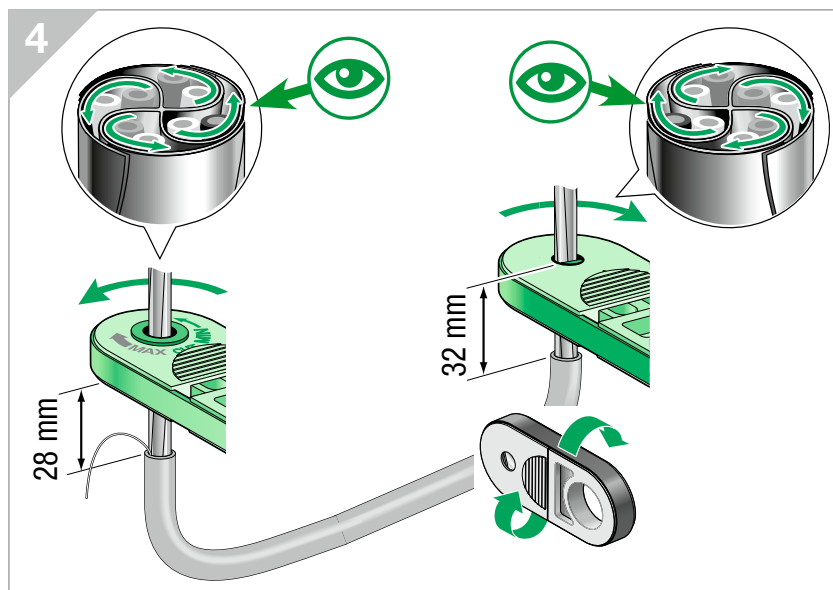
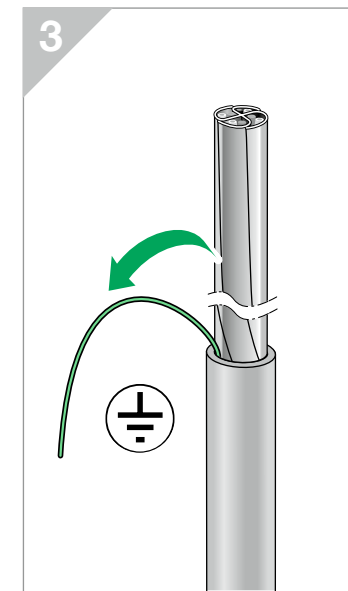
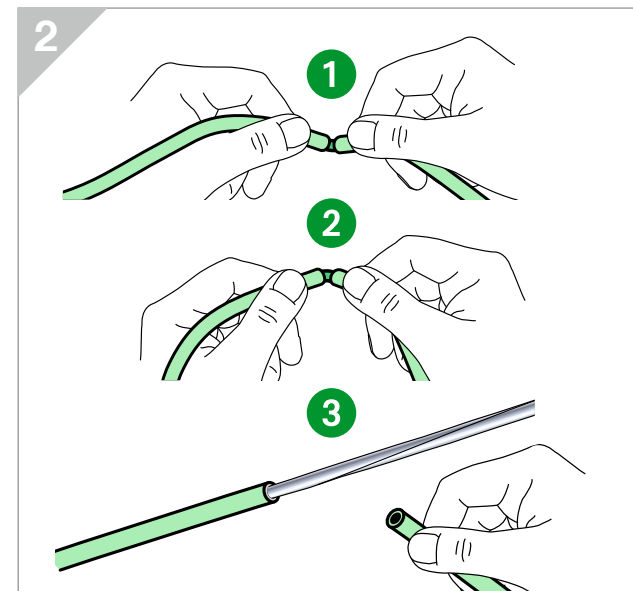
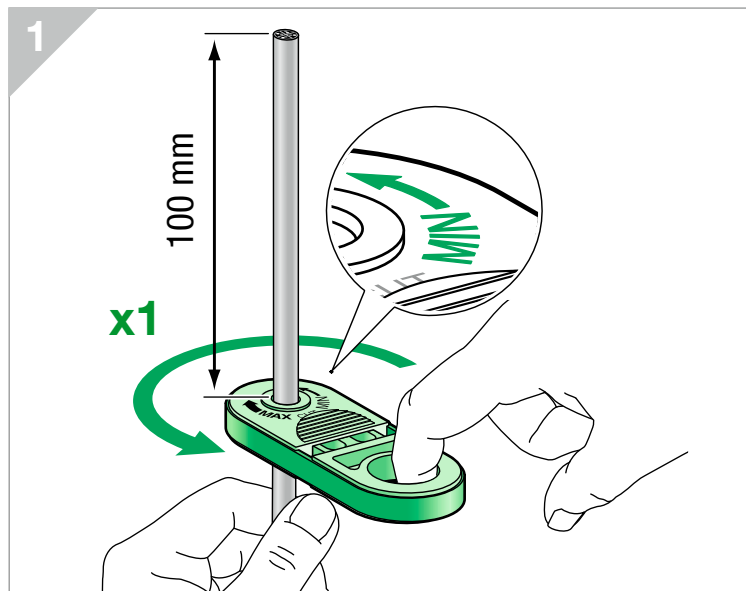
VDIR580020

x1



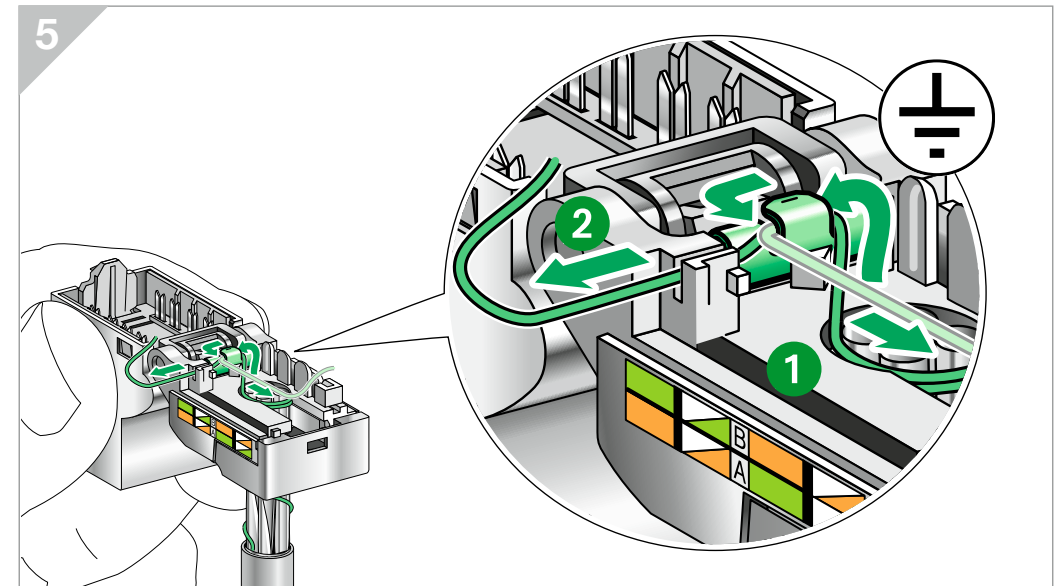
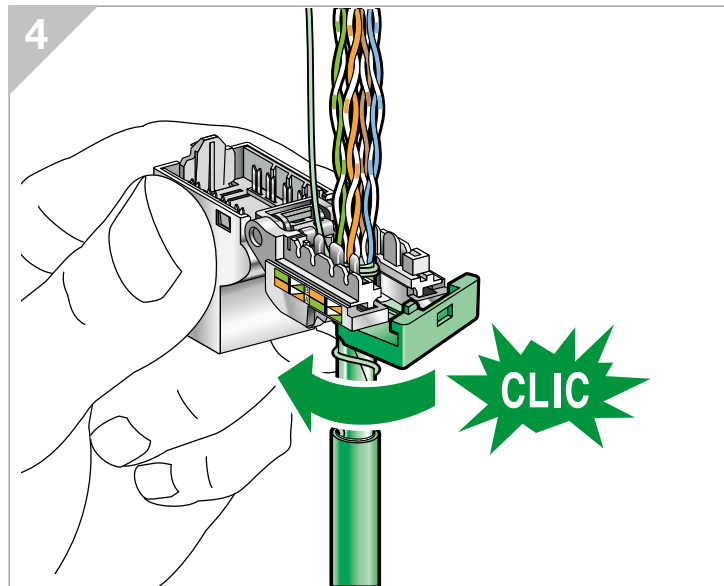
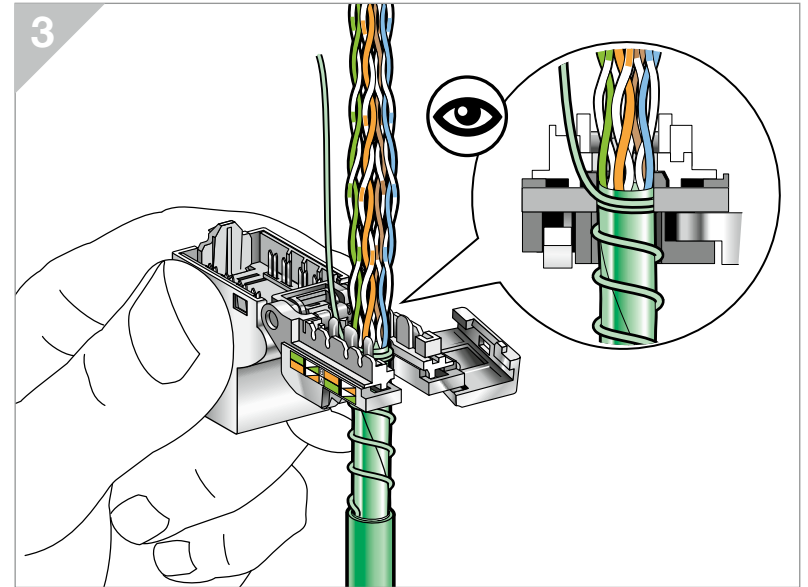
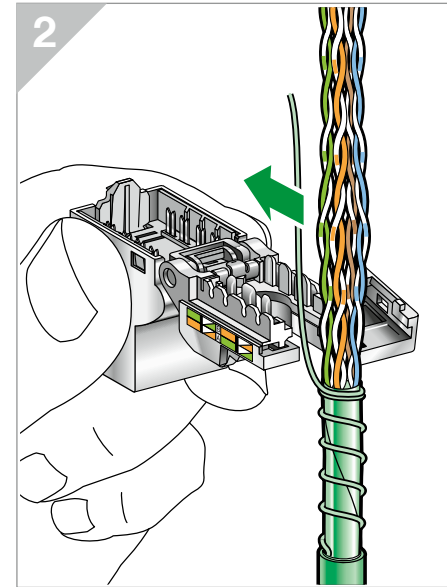
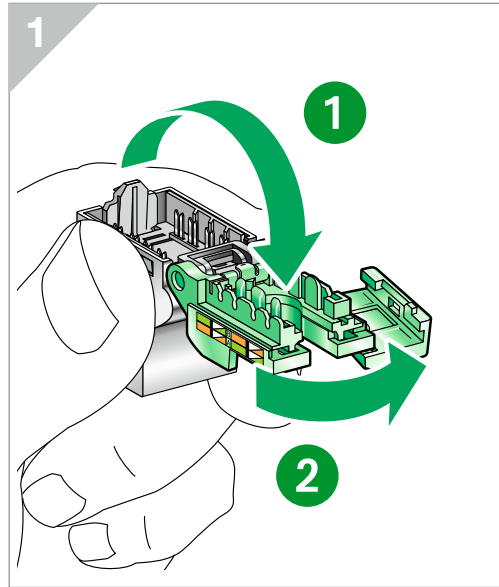
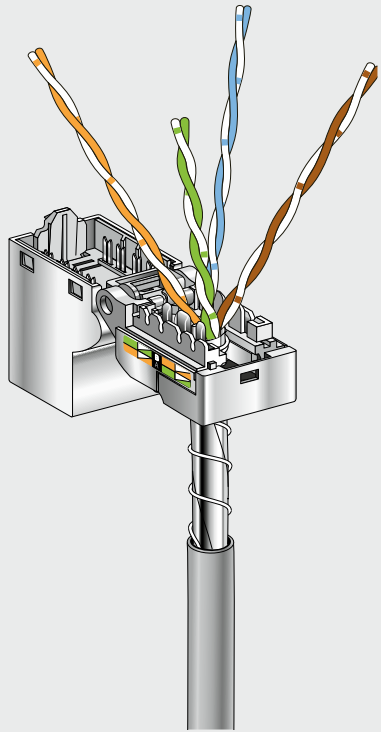
Cable preparation

CLMX



Connector termination

CLMX

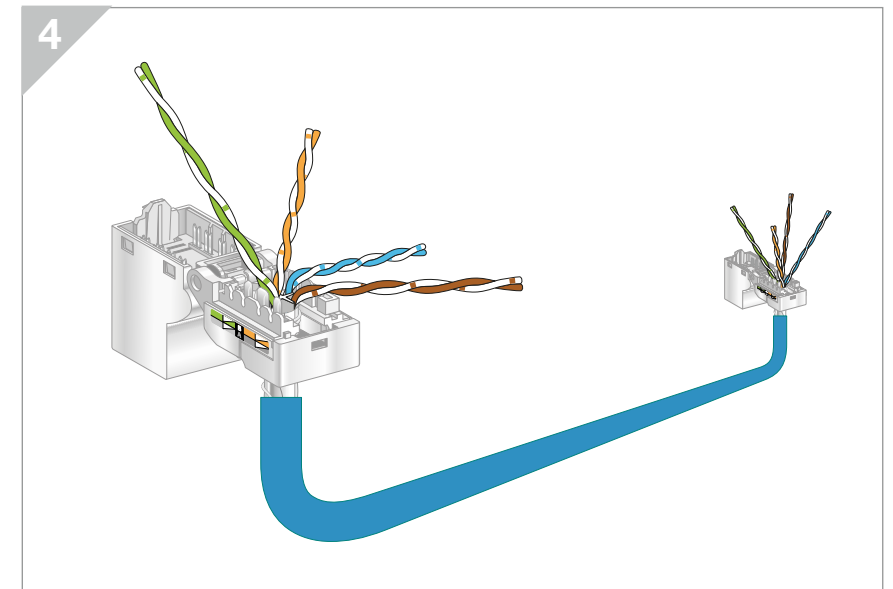
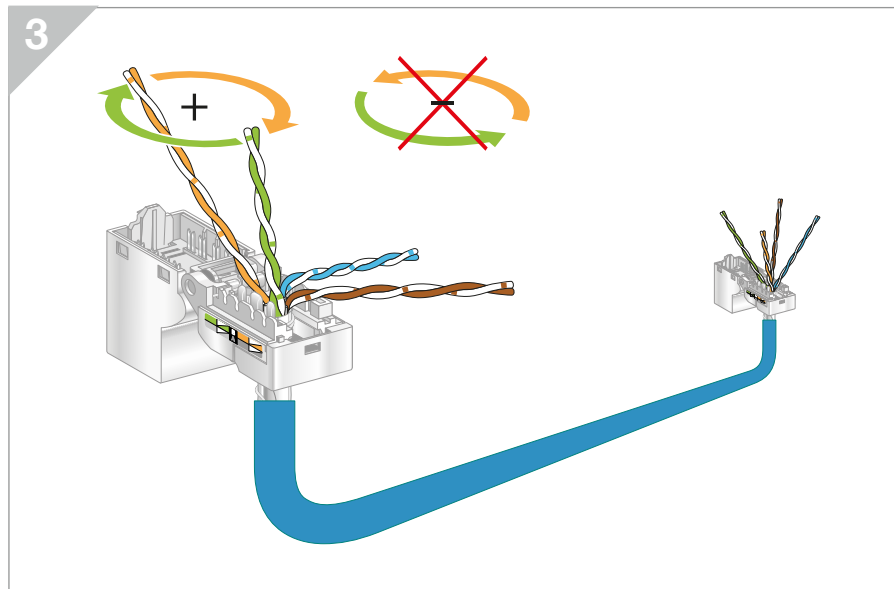
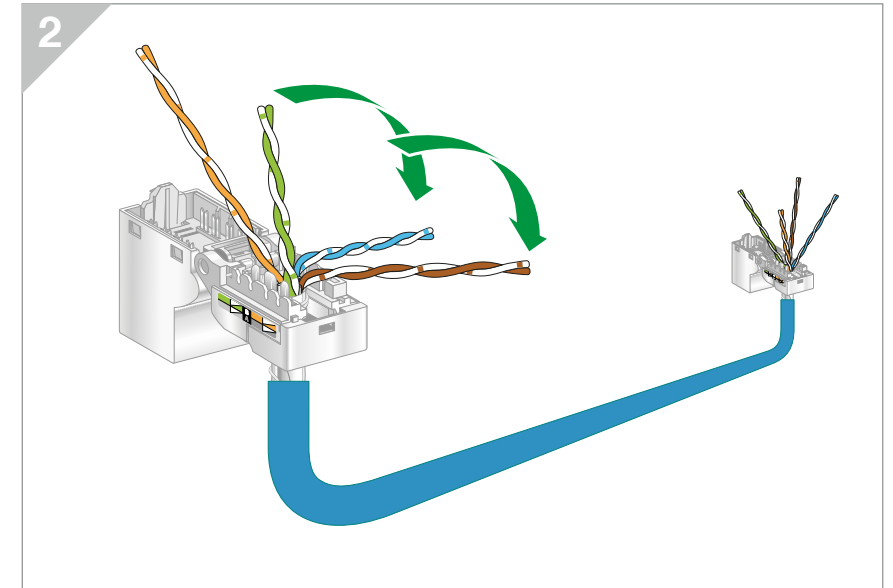
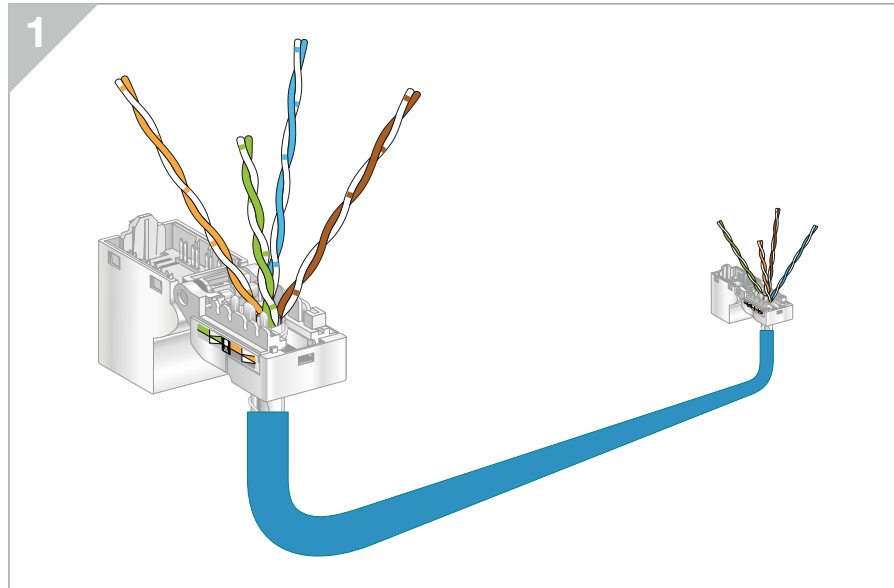
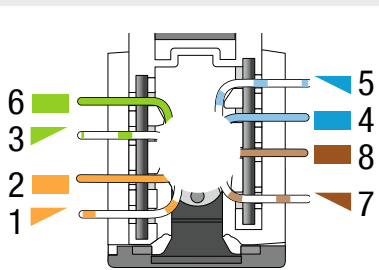


Pairs crossing

CLMX

How to prepare a CLMX cable acc. to T568B wiring code to reach high performance

EIA-TIA 568B (100Ω)

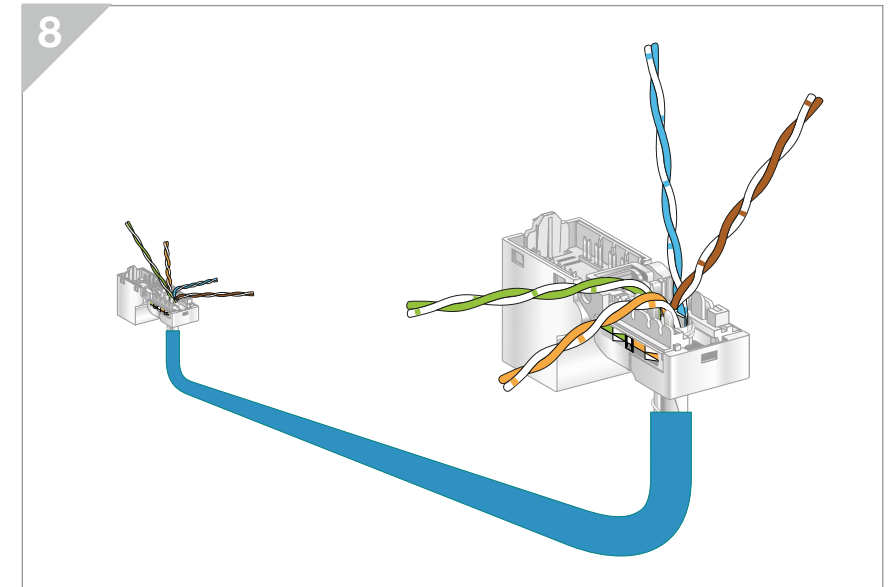
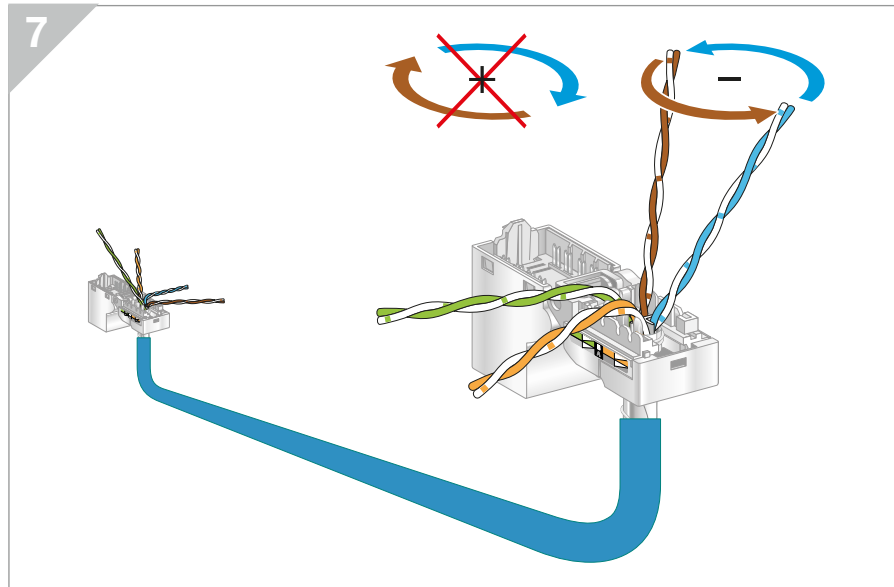
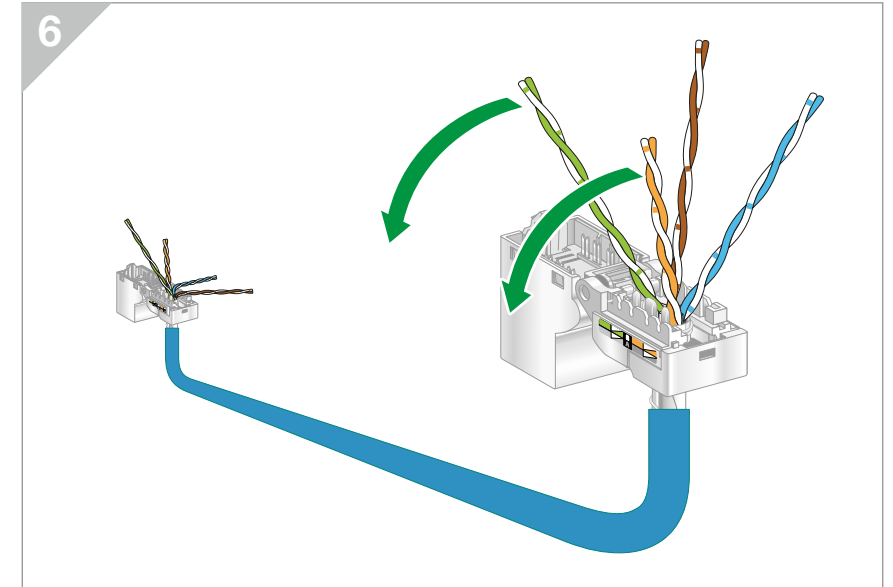
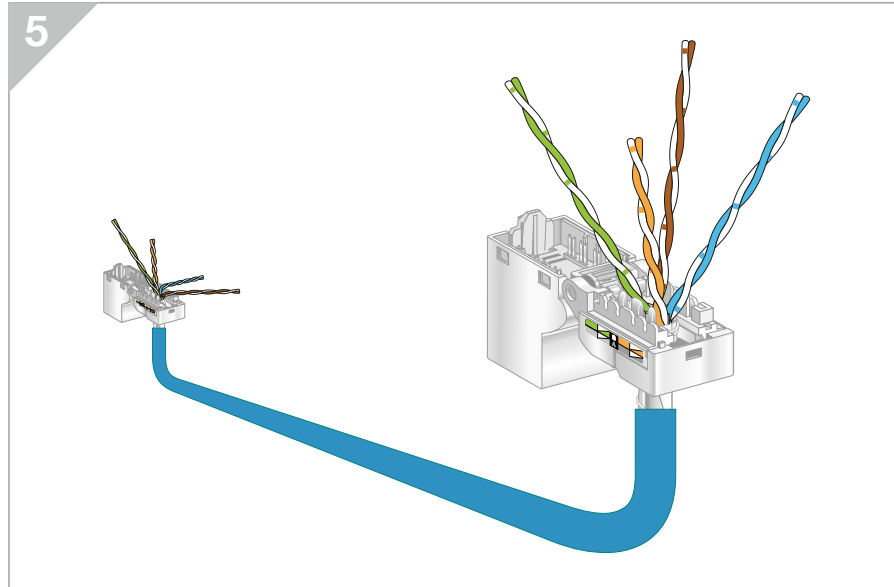
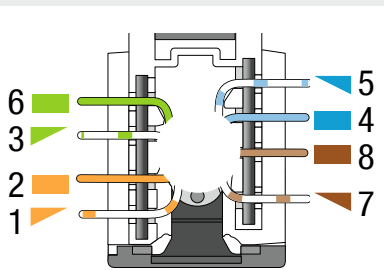


Pairs crossing

CLMX

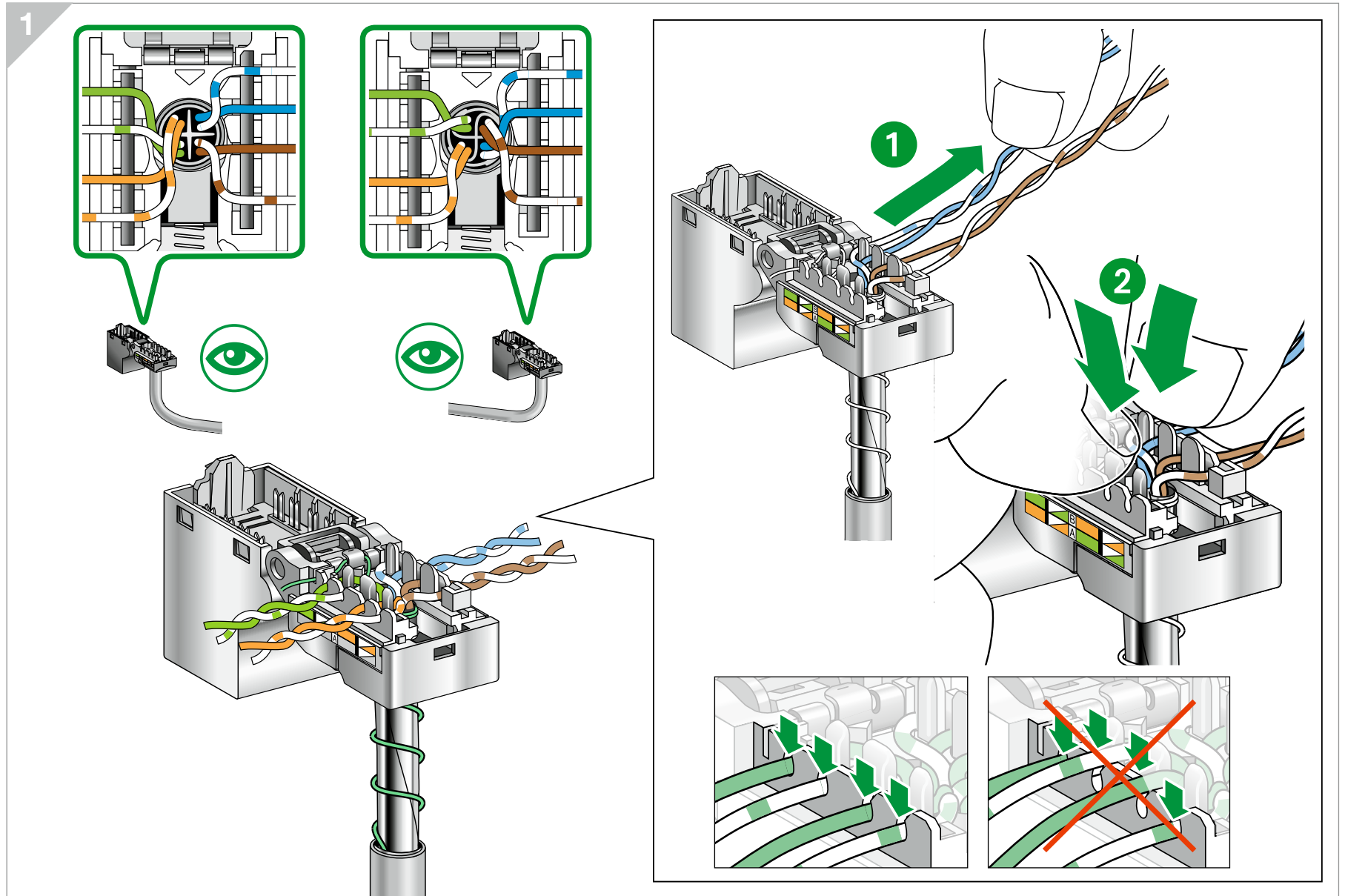
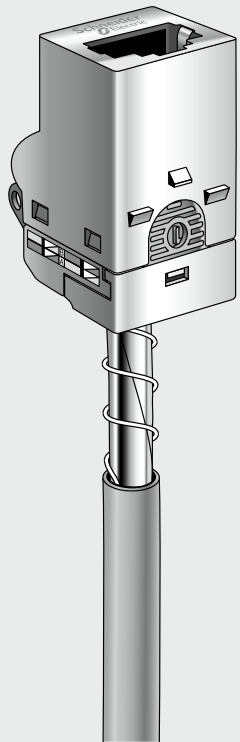
How to prepare a CLMX cable acc. to T568B wiring code to reach high performance

EIA-TIA 568B (100Ω)



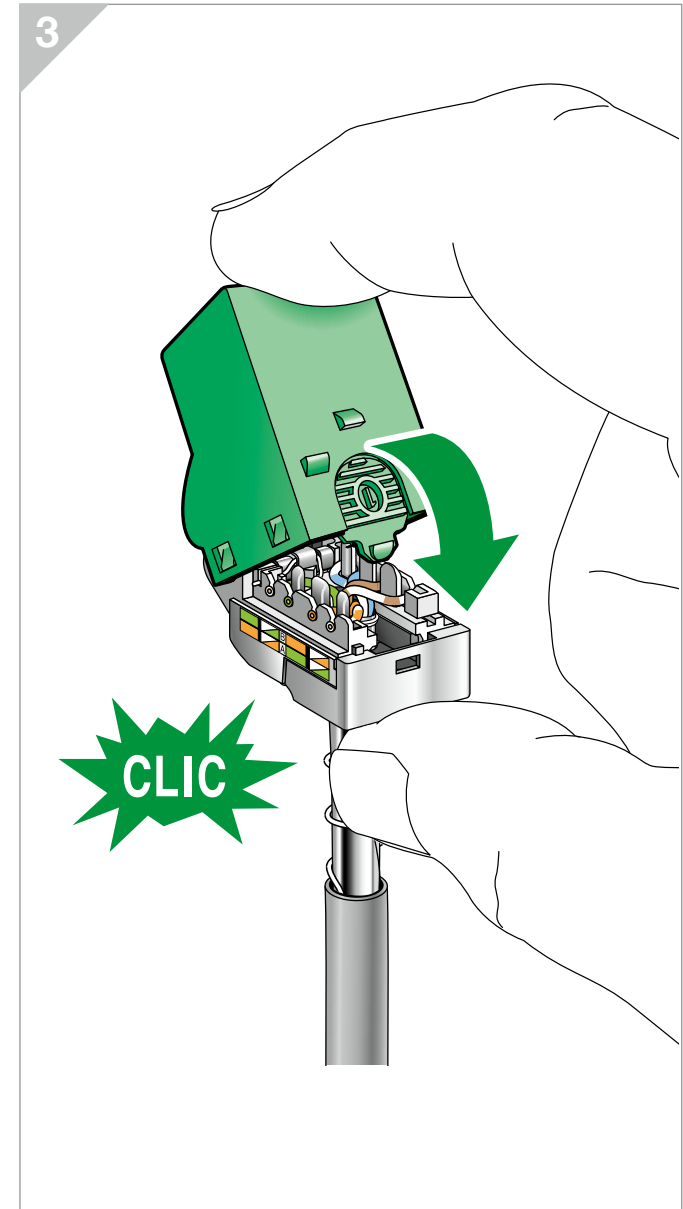
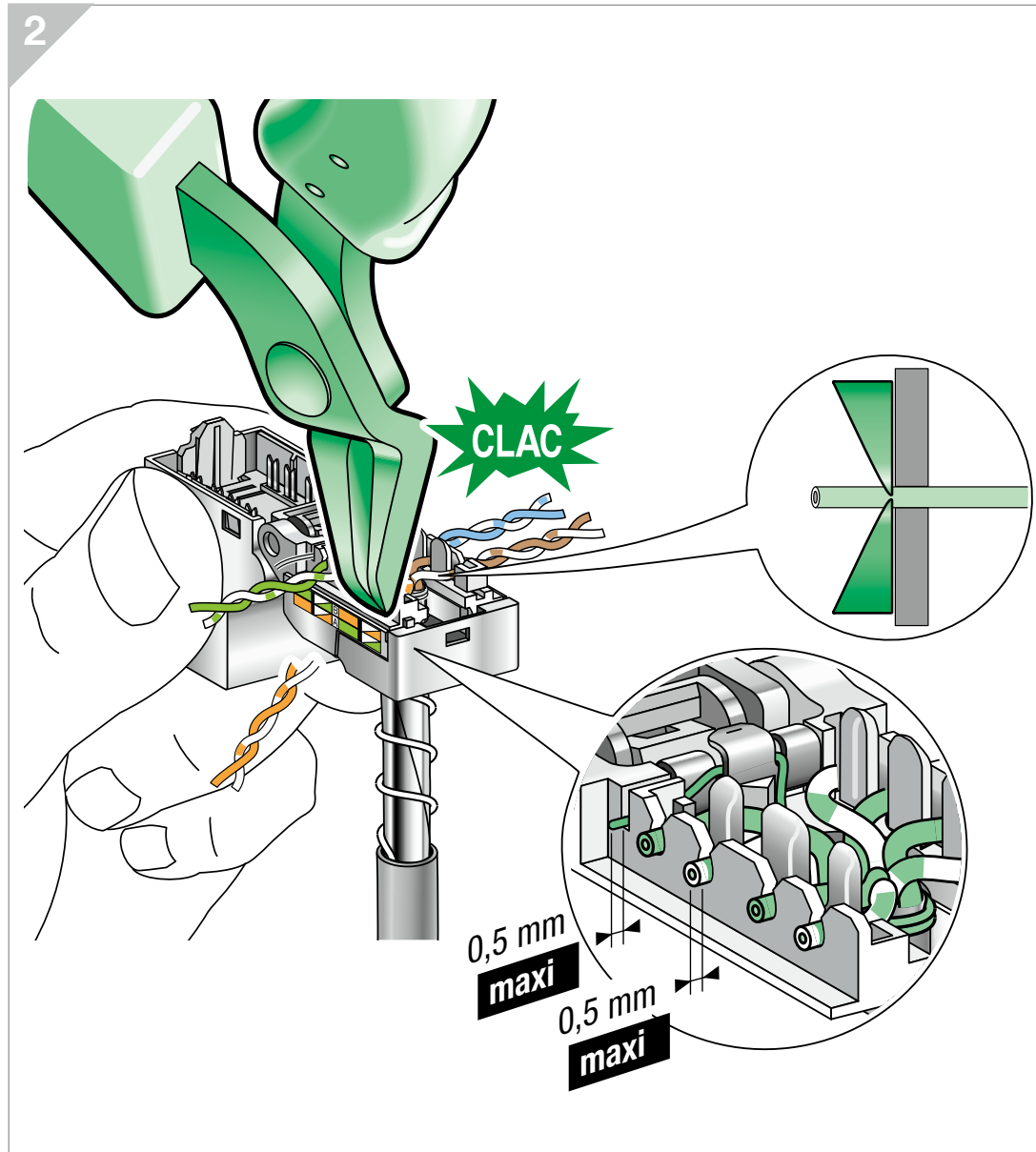
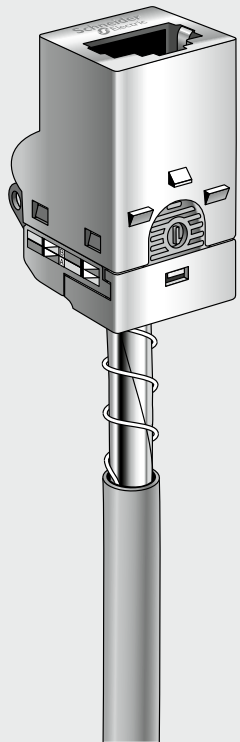
Connector connection

CLMX



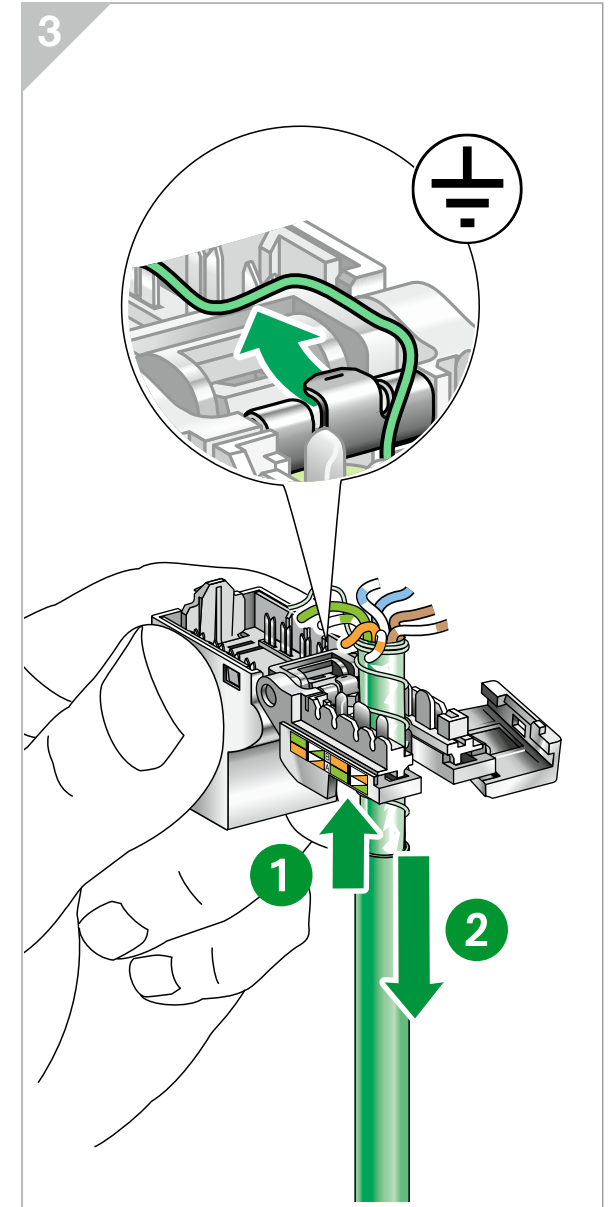
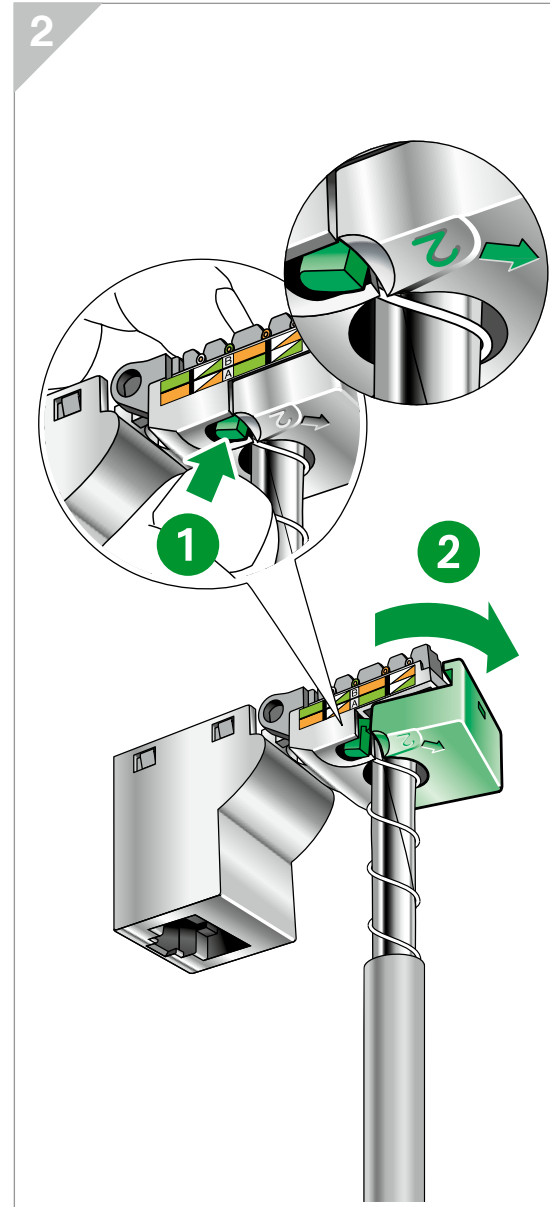
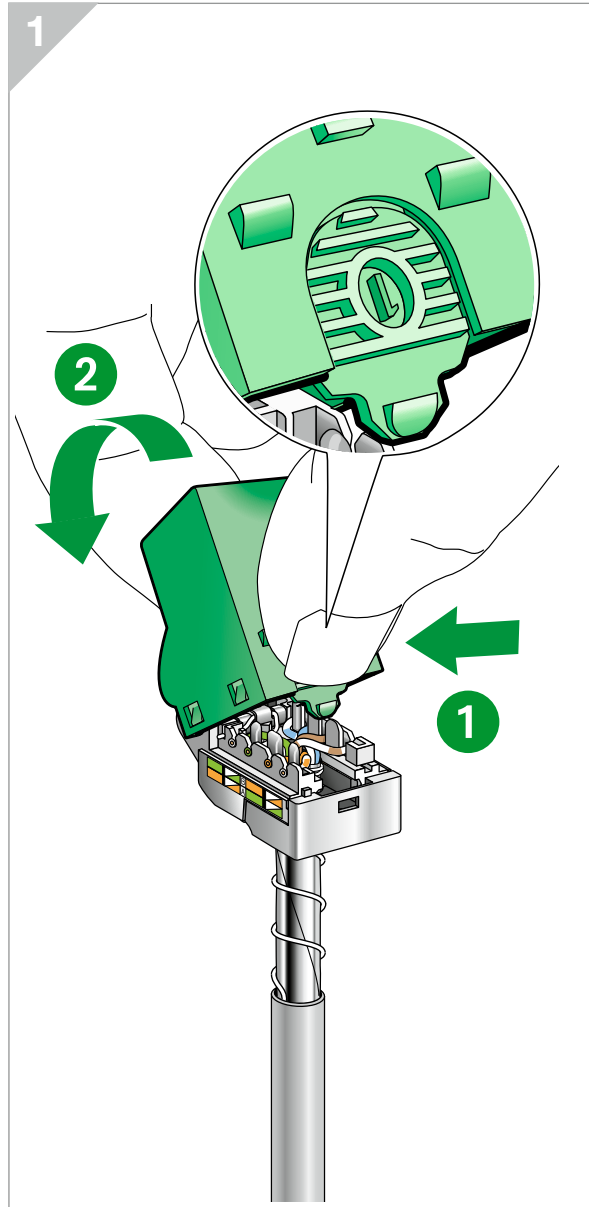
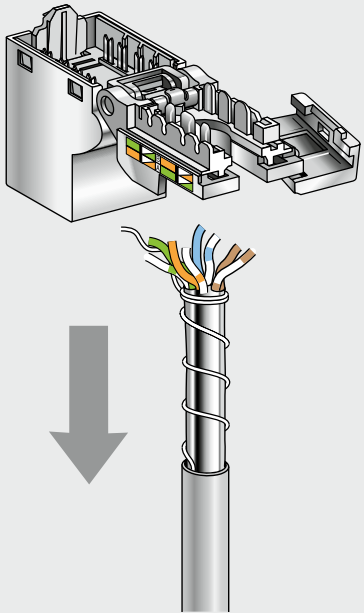
Connector connection

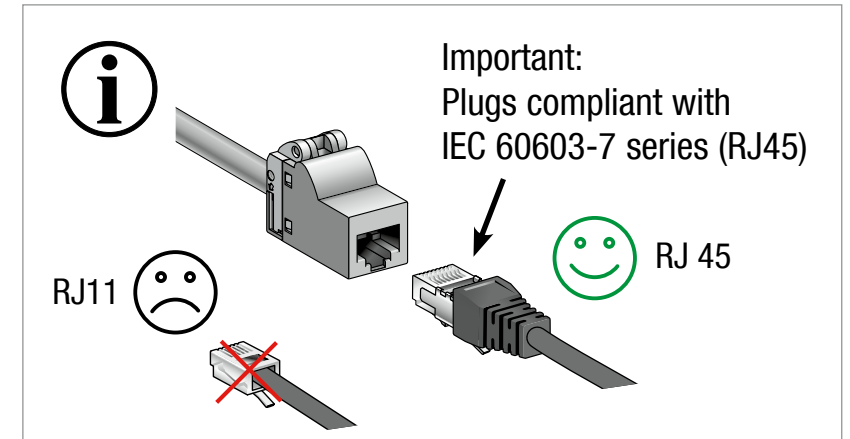
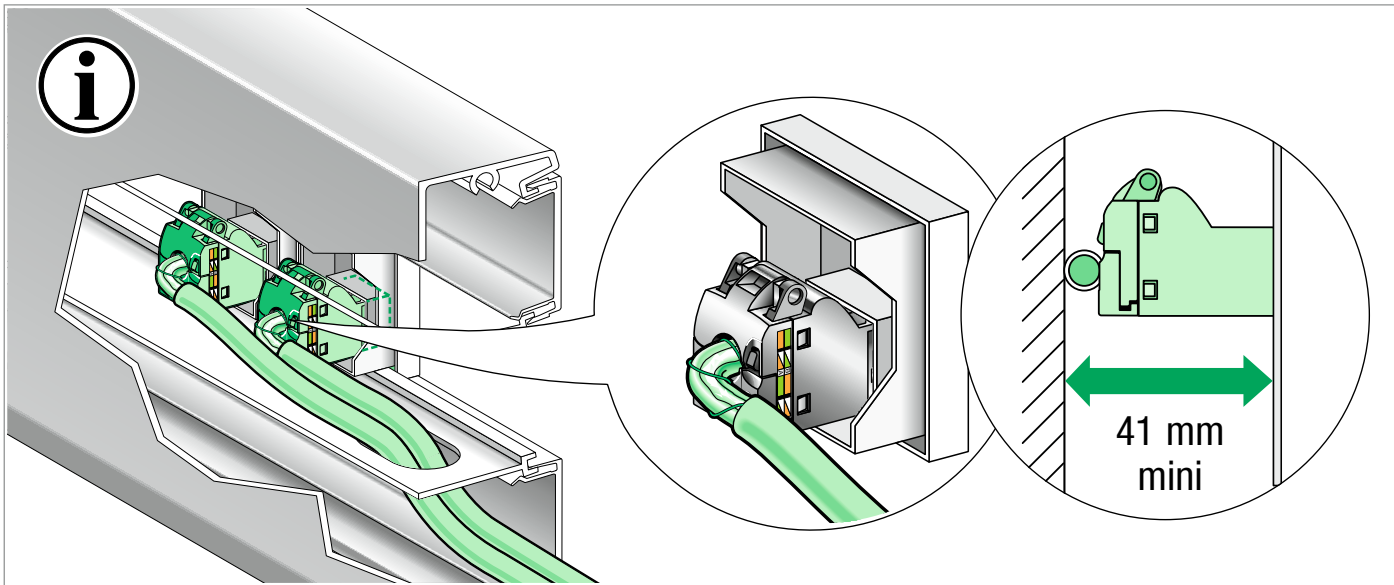
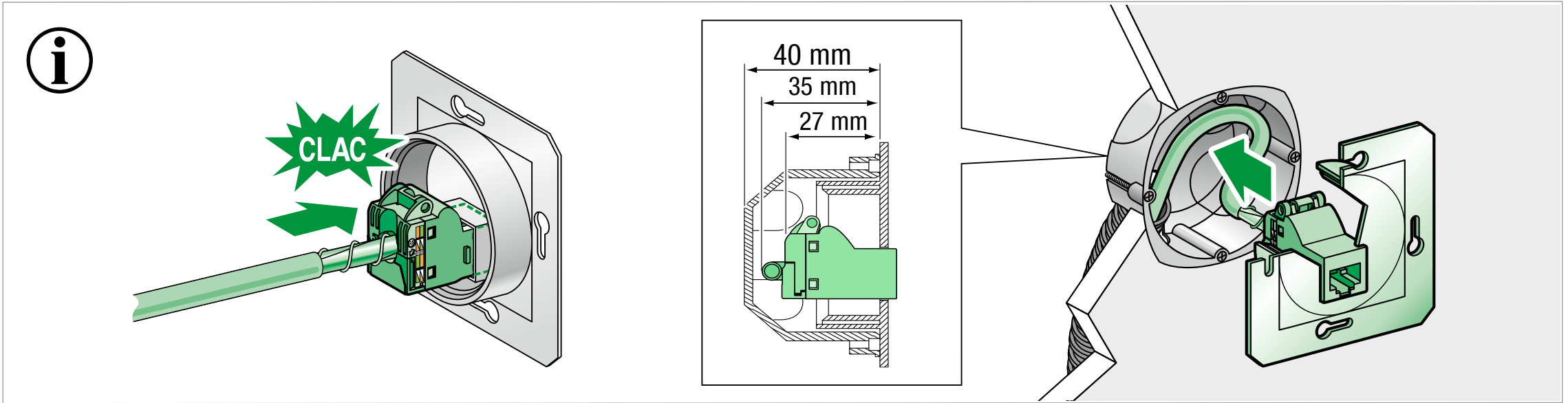
CLMX



Connector disconnection

CLMX

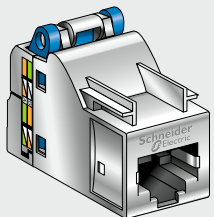




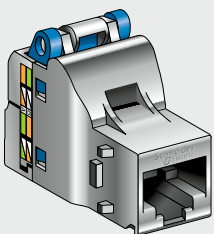
Composition

Shielded connector

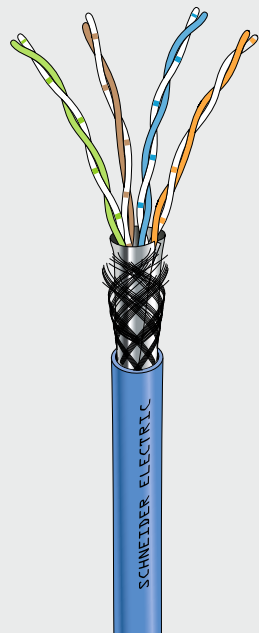
S-One



S-One DPM

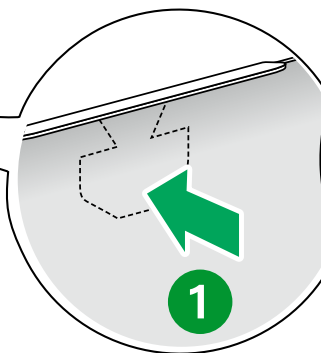
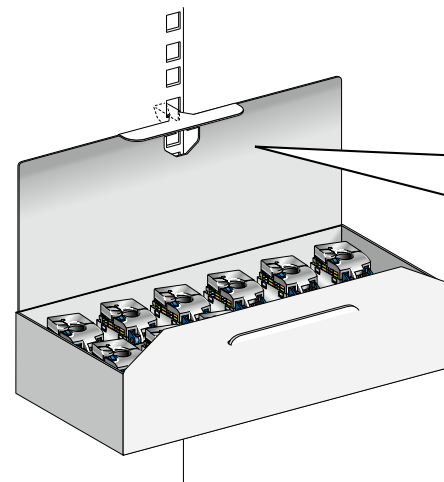
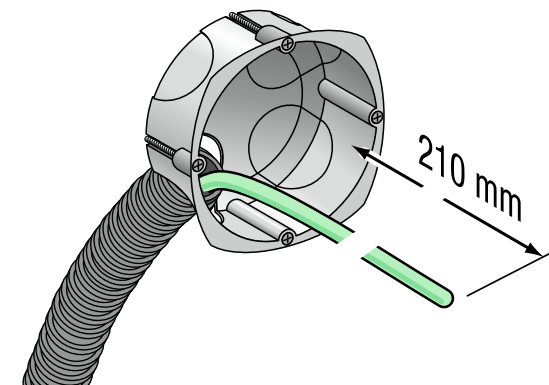


SF/UTP



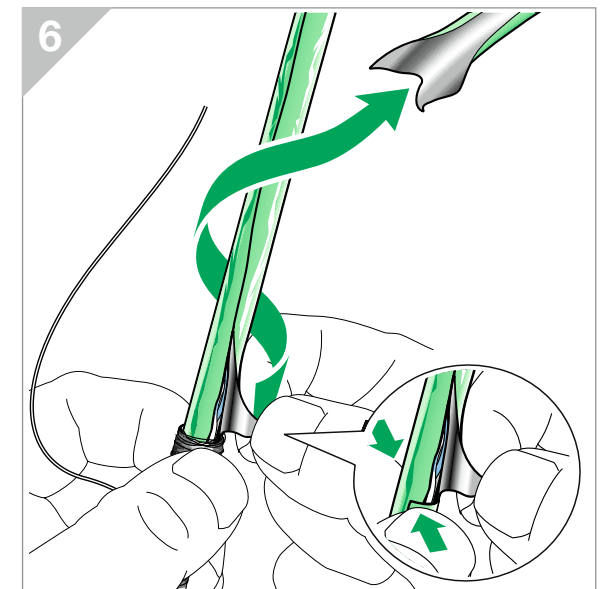
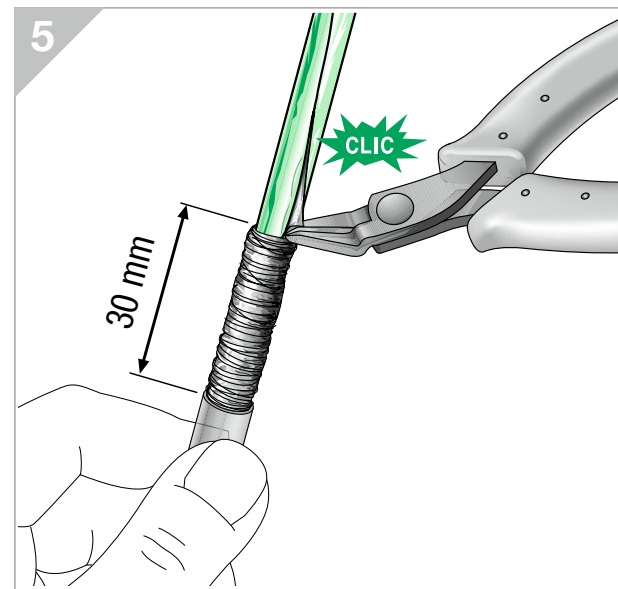
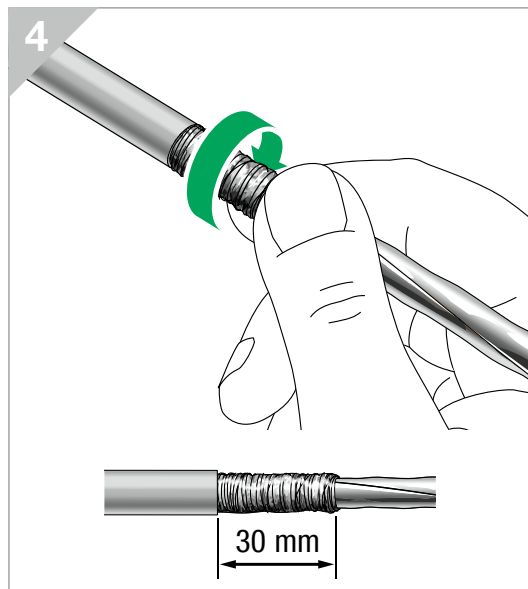
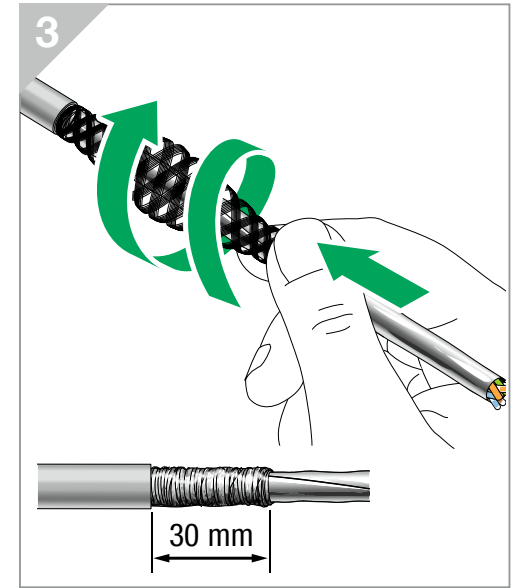
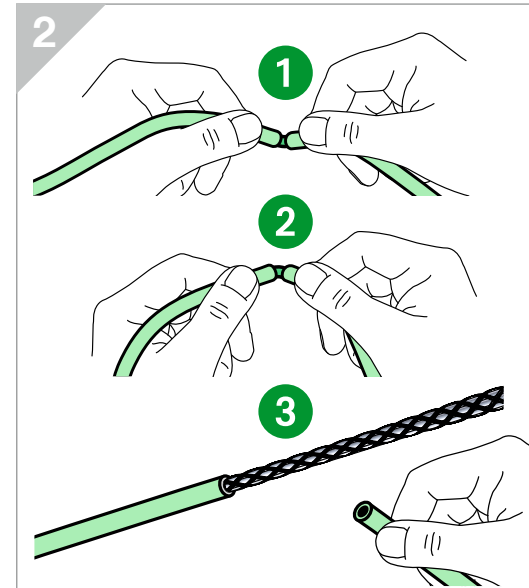
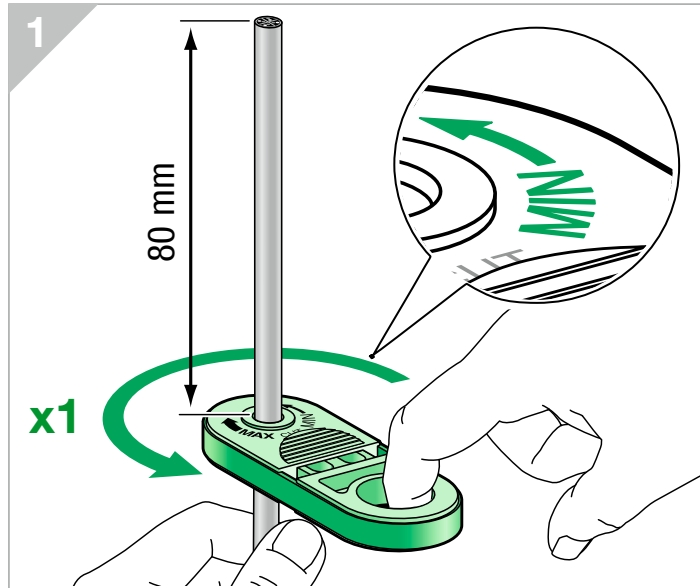
VDIR580020

x1



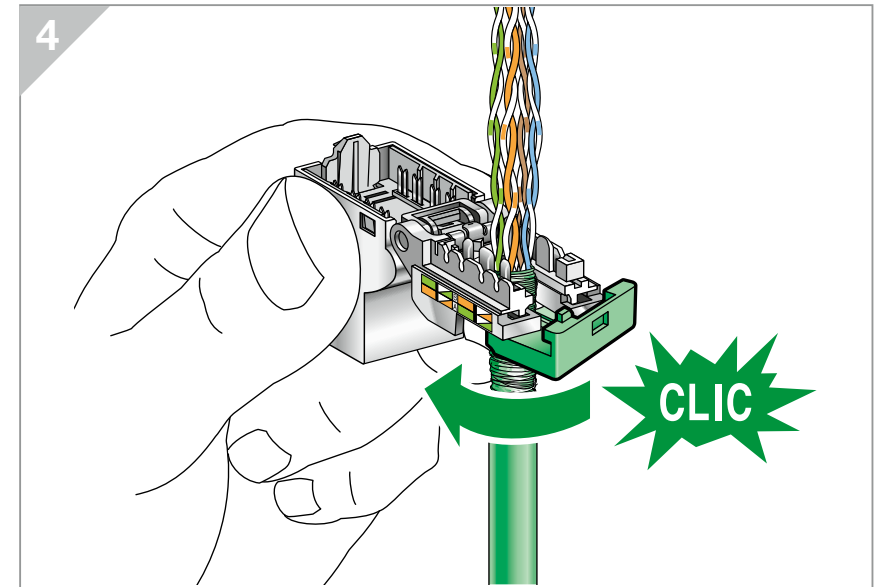
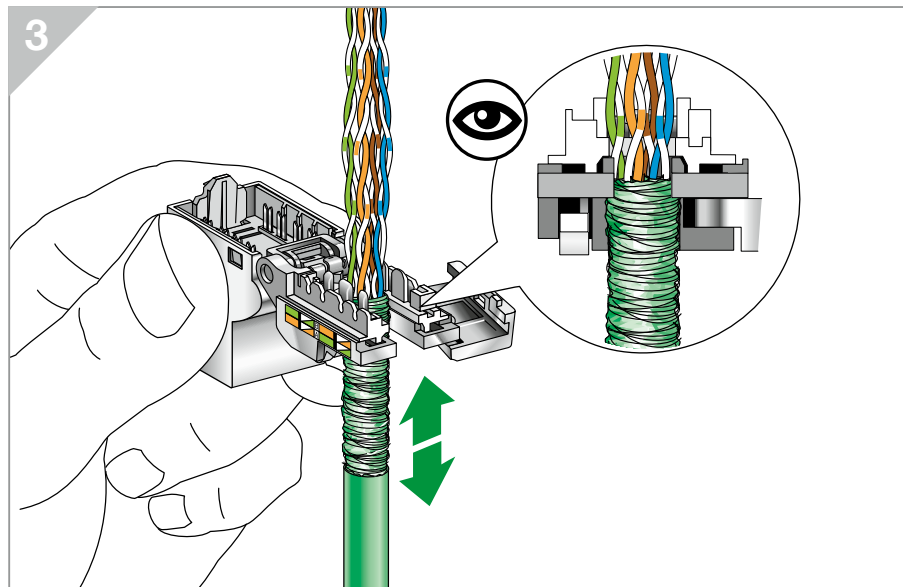
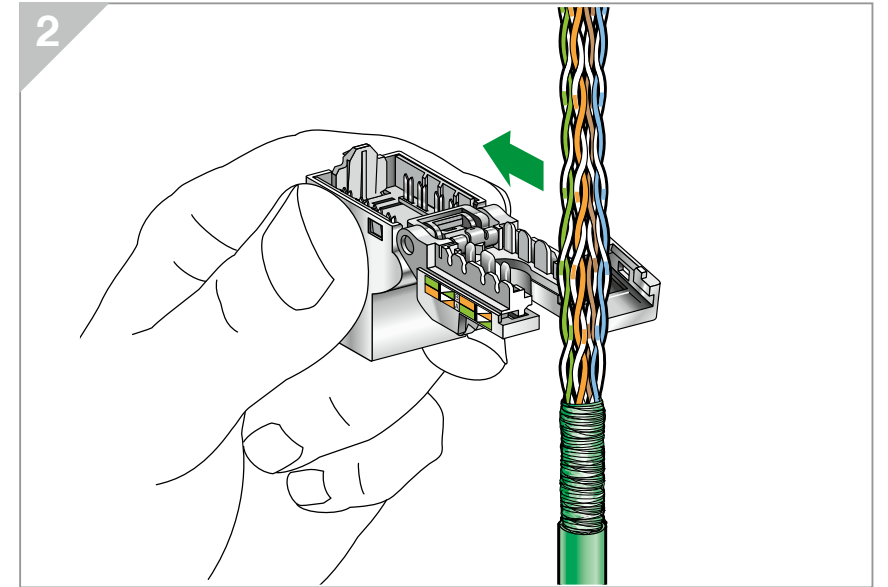
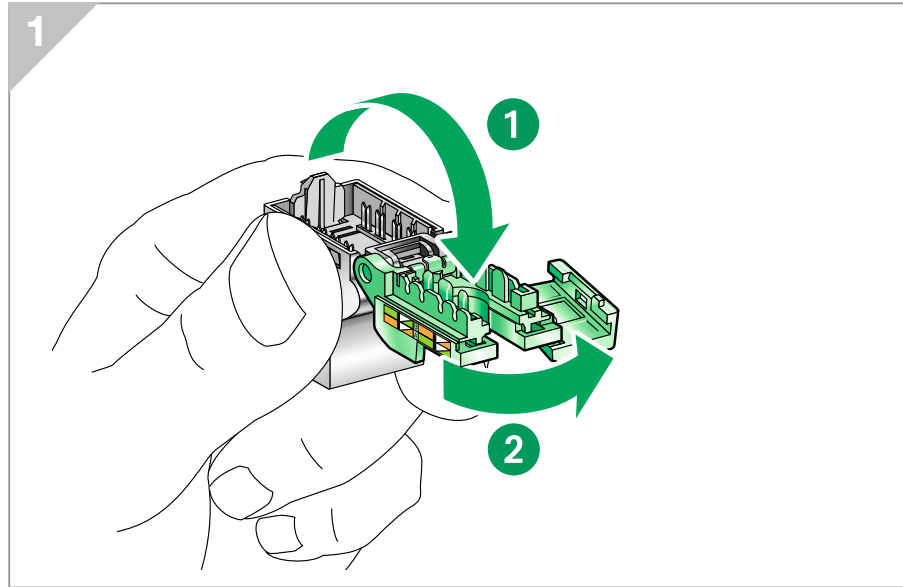
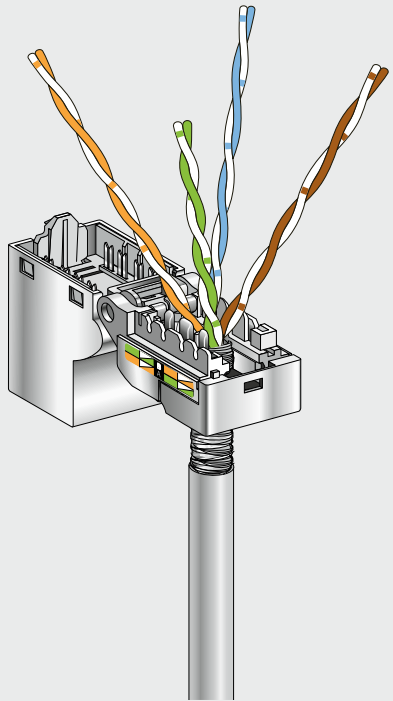
Cable preparation

SF/UTP



Connector termination

SF/UTP

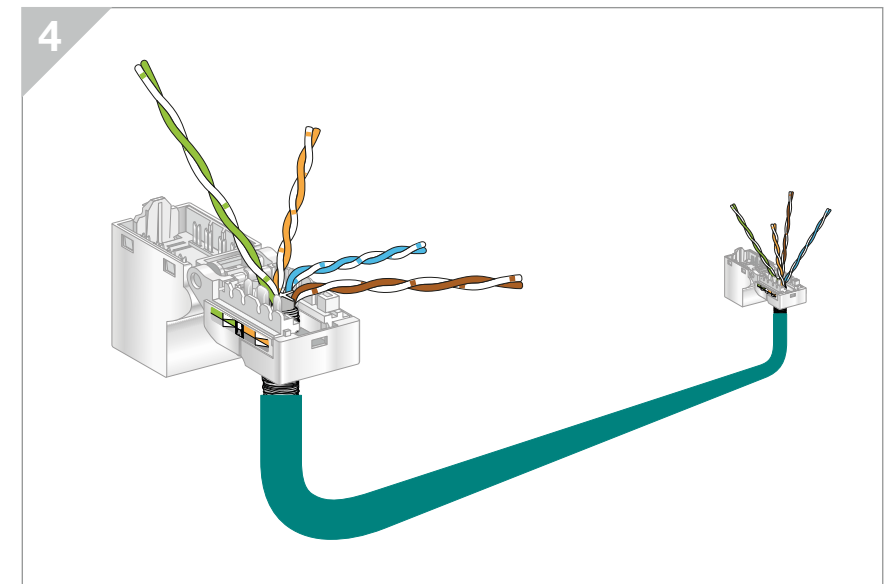
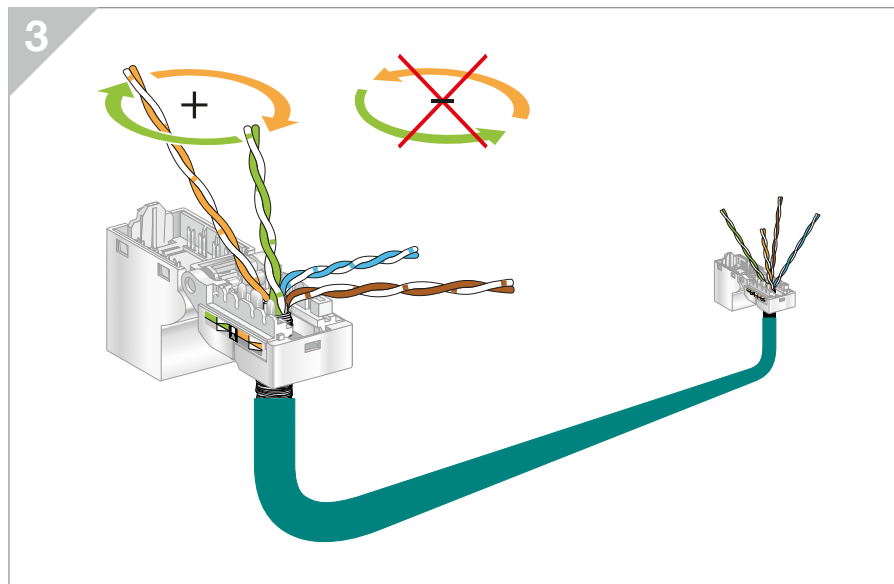
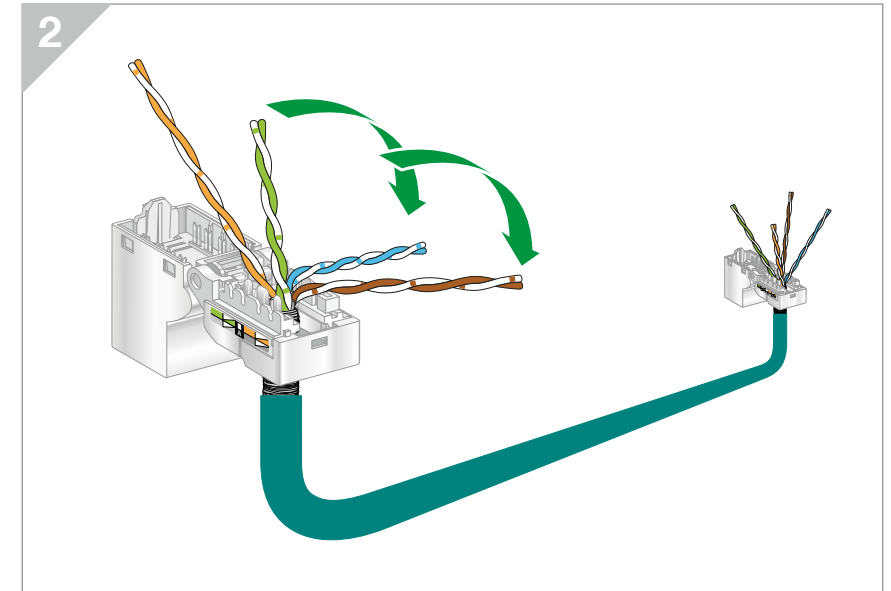
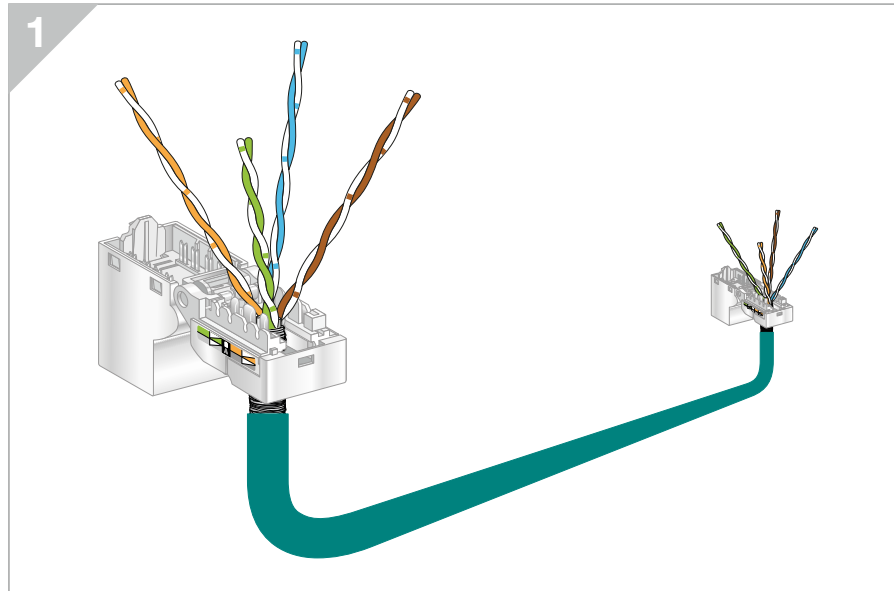
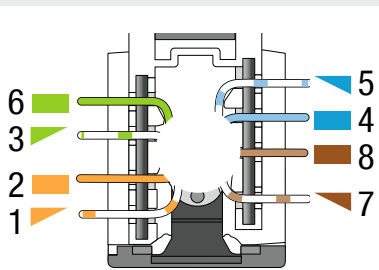


Pairs crossing

SF/UTP

How to prepare a SF/UTP cable acc. to T568B wiring code to reach high performance

EIA-TIA 568B (100Ω)

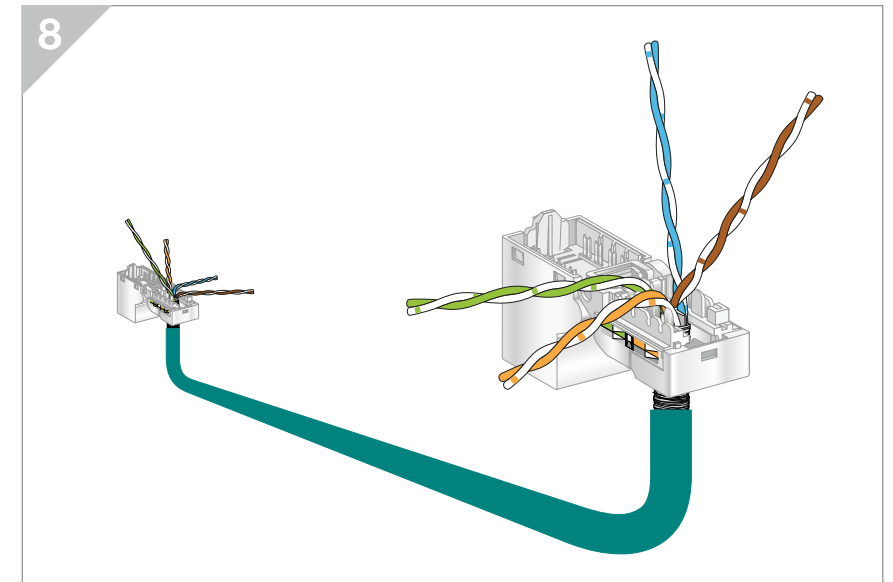
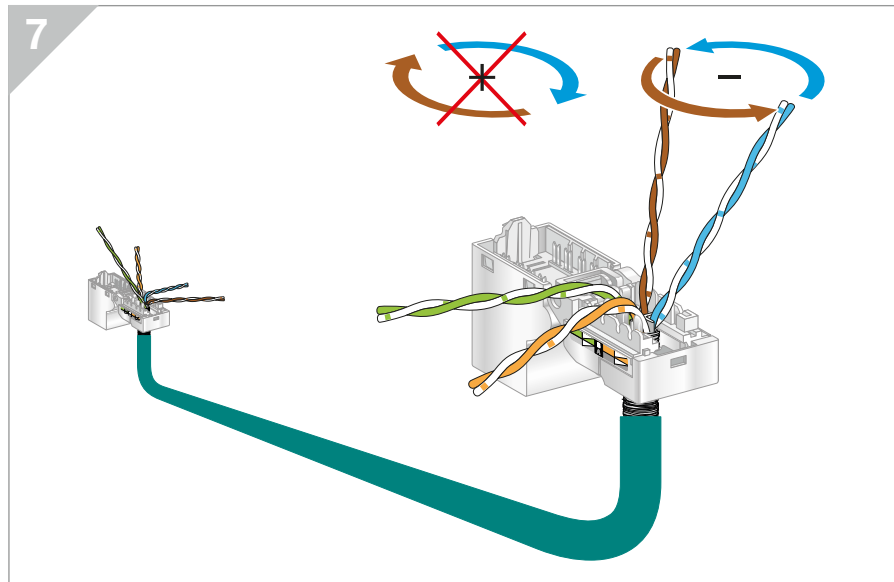
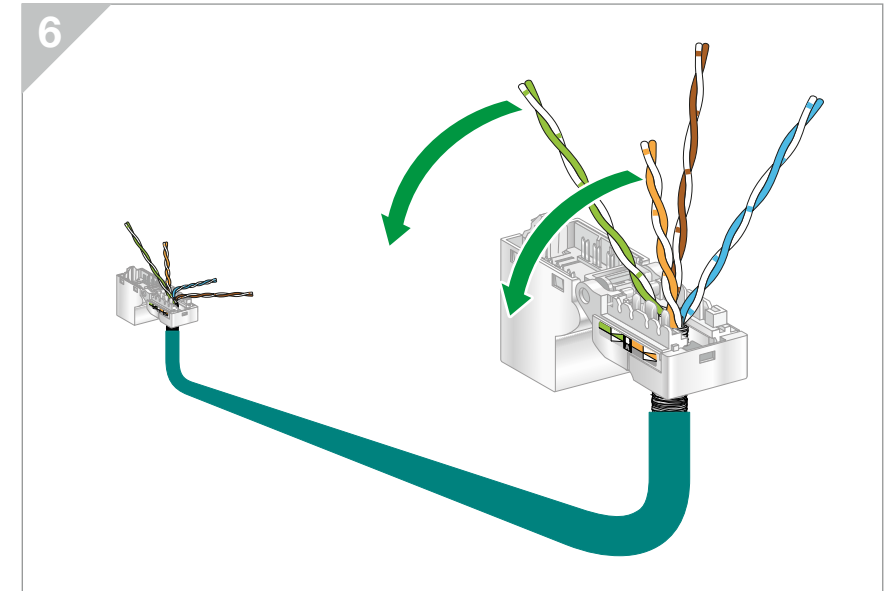
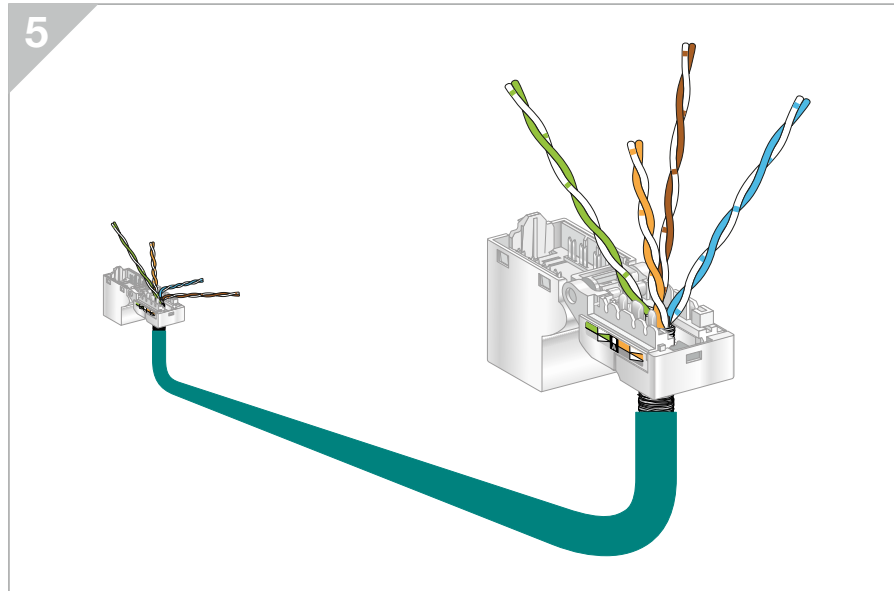
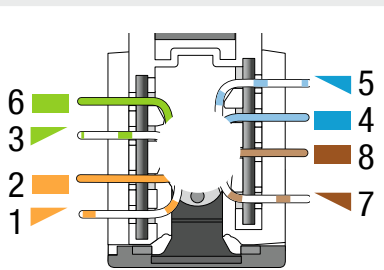


Pairs crossing

SF/UTP

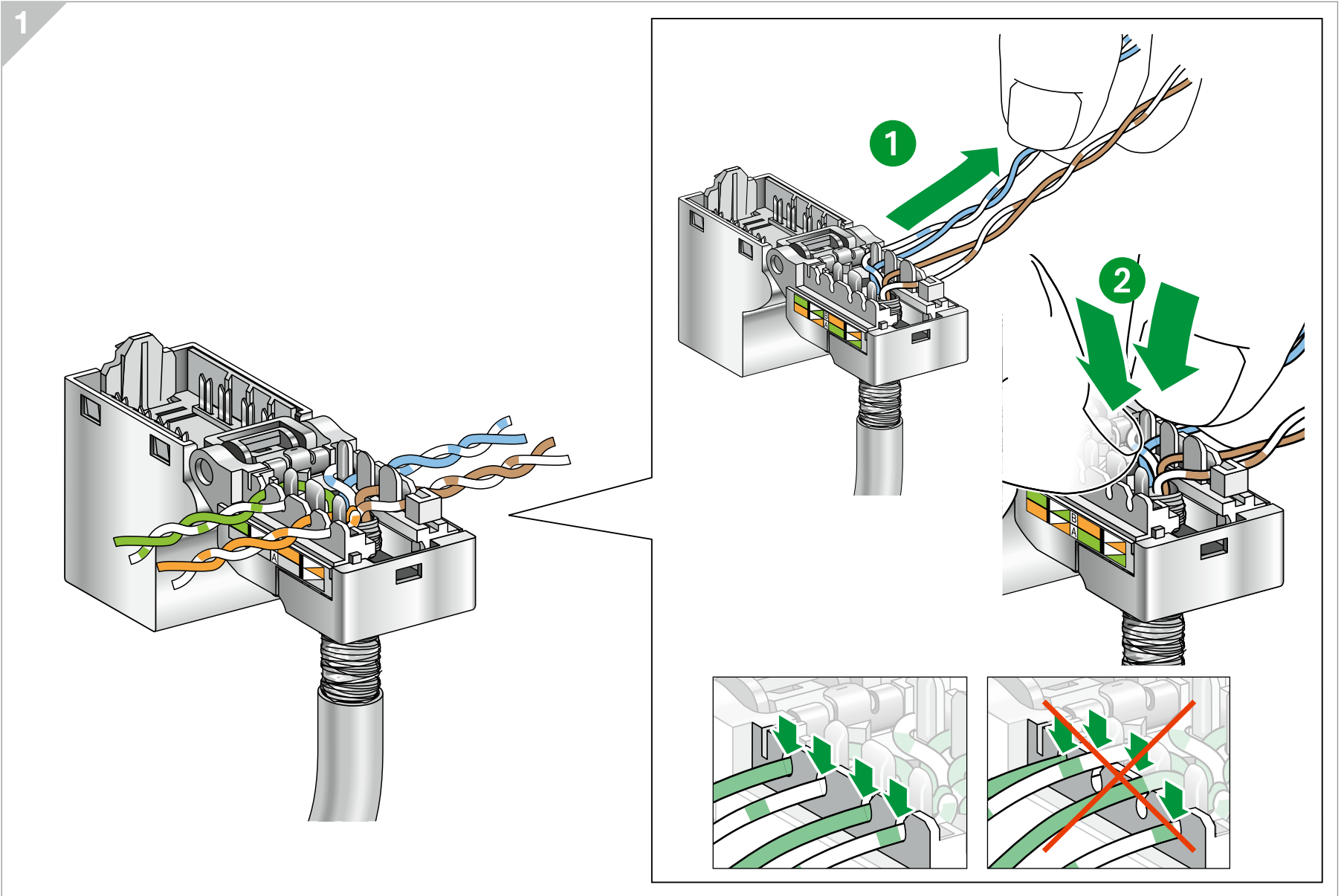
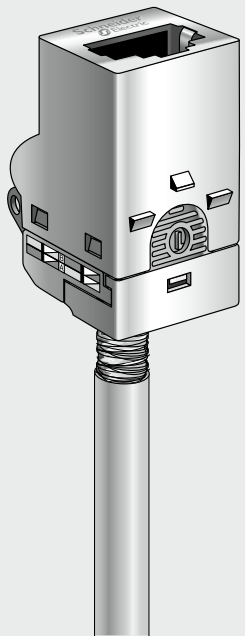
How to prepare a SF/UTP cable acc. to T568B wiring code to reach high performance

EIA-TIA 568B (100Ω)



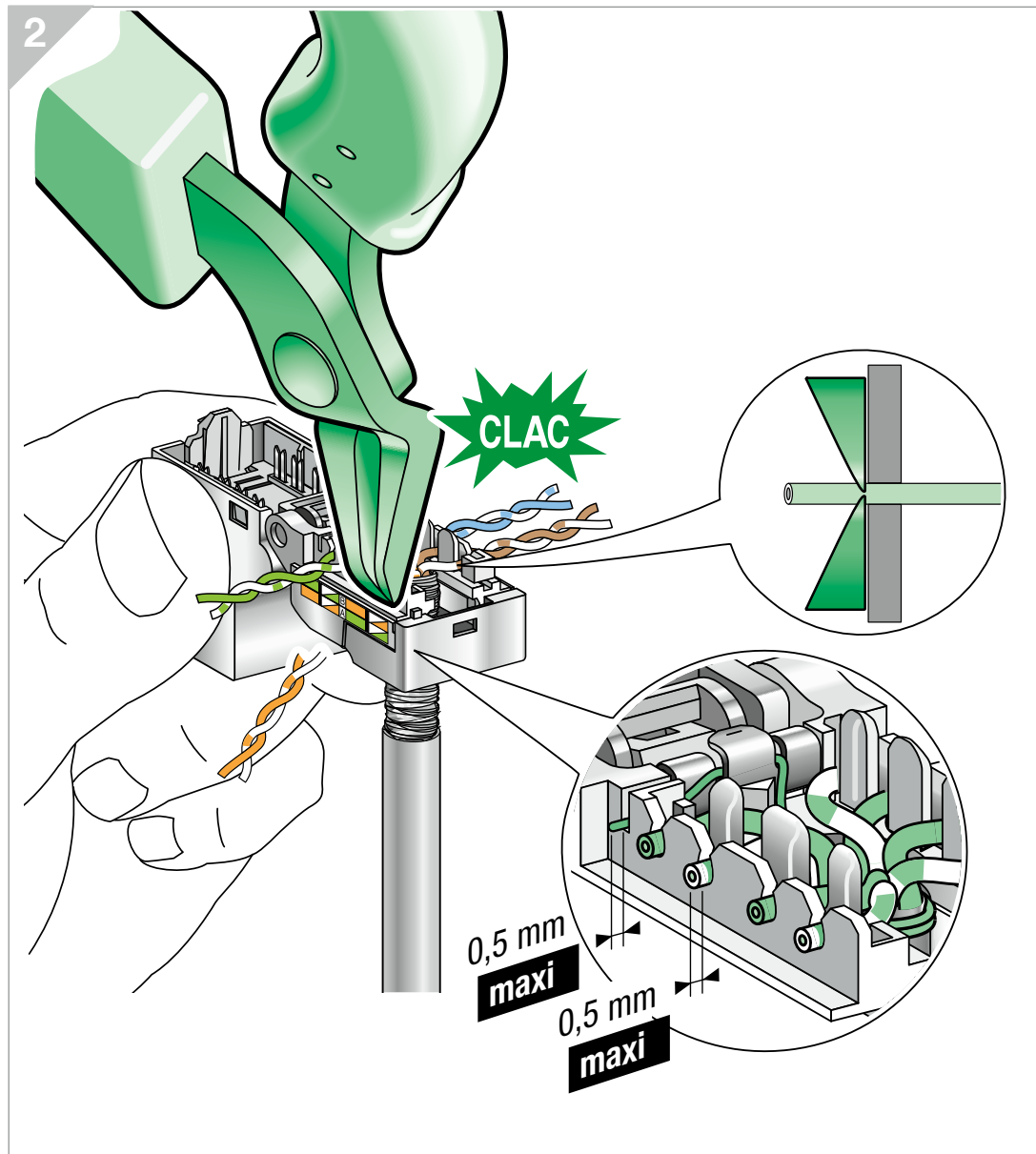
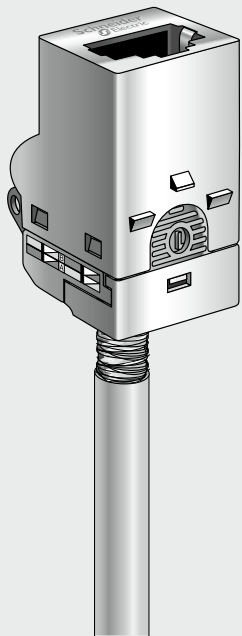
Connector connection

SF/UTP



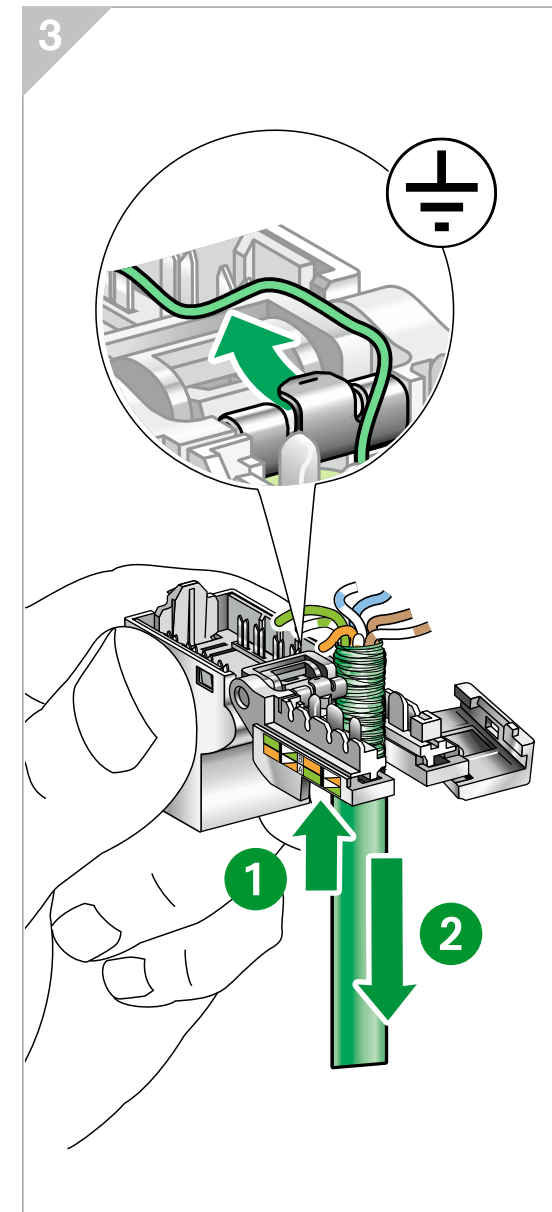
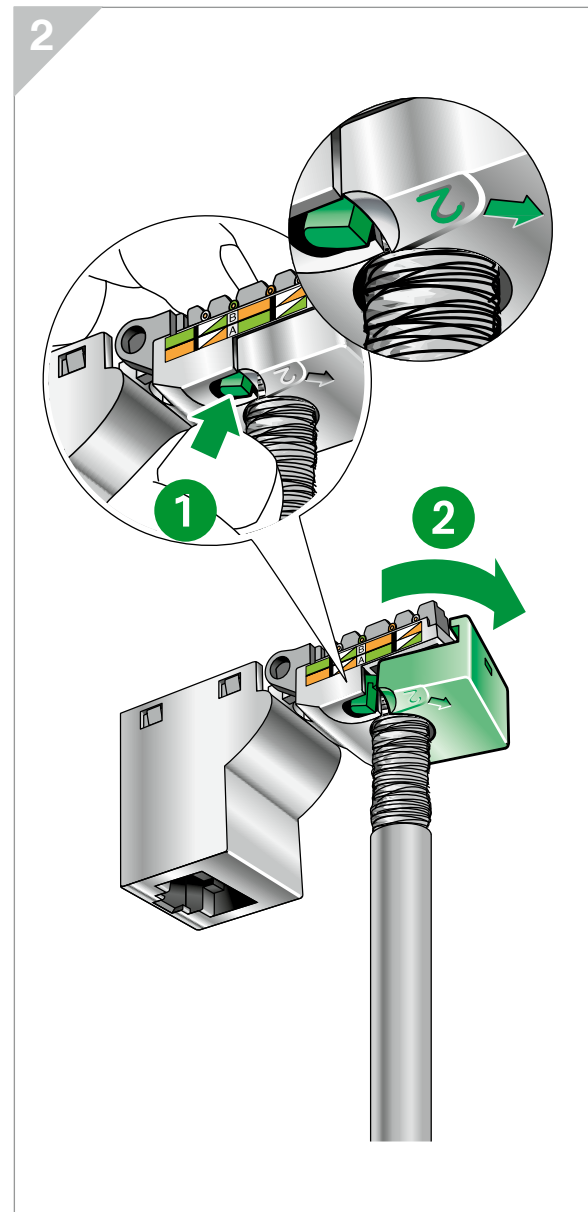
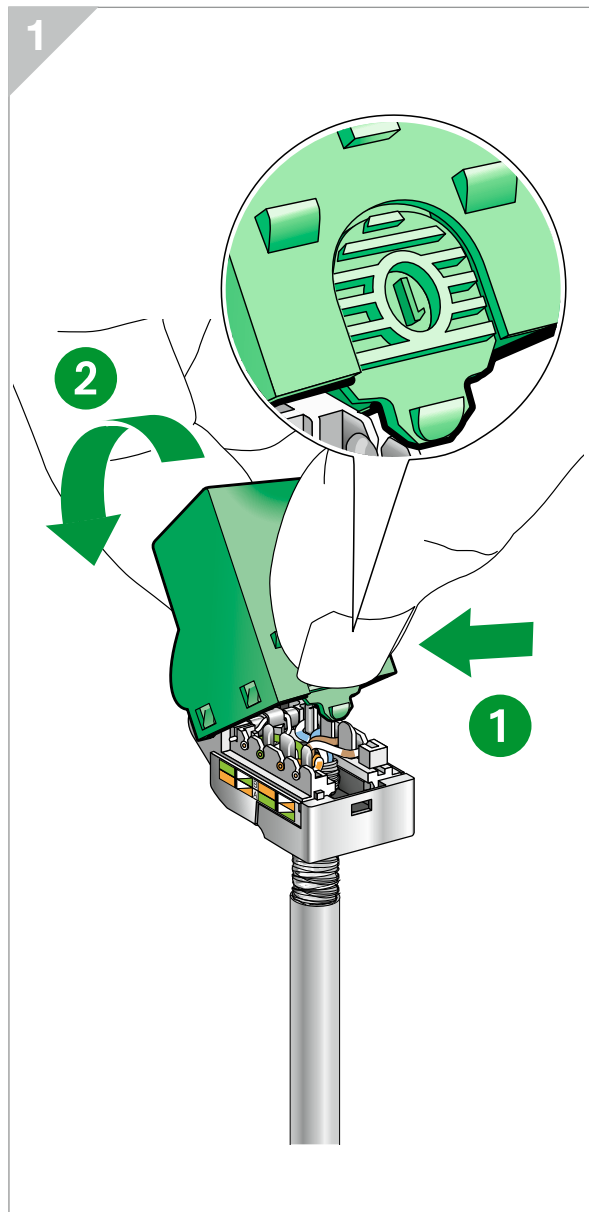
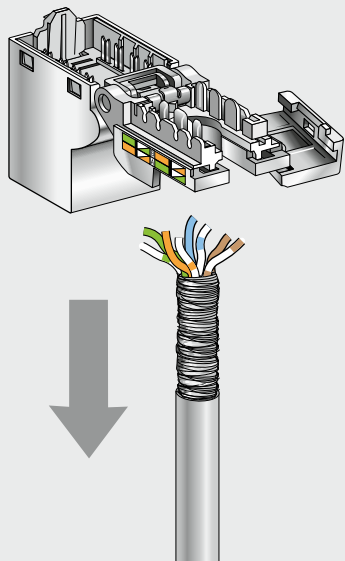
Connector connection

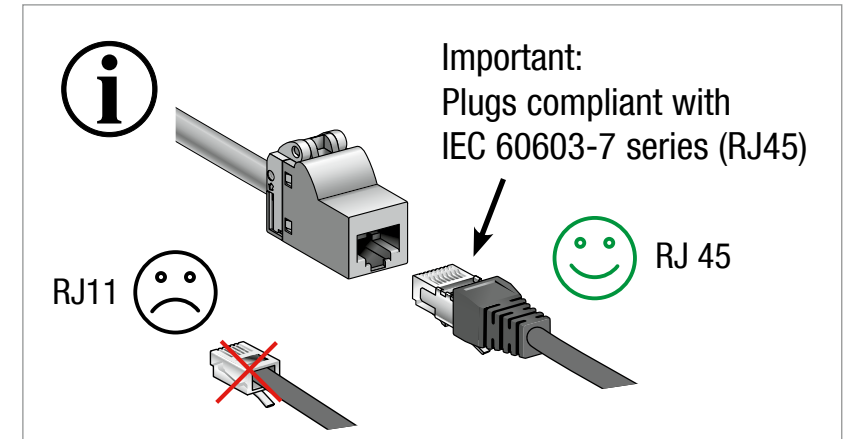
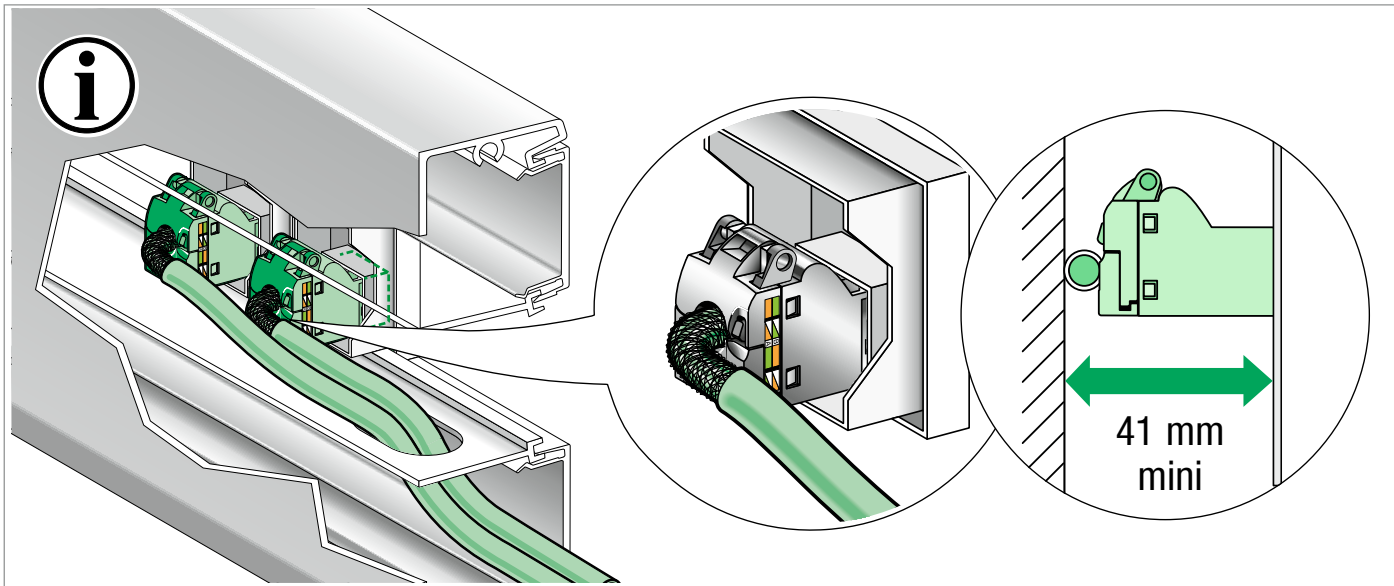
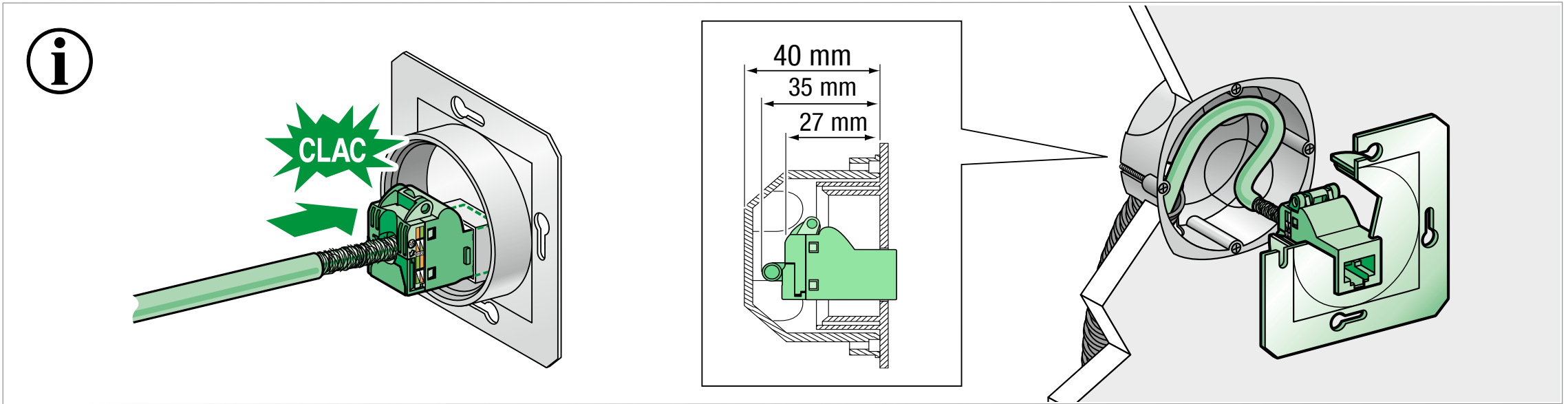
SF/UTP



Connector disconnection

SF/UTP





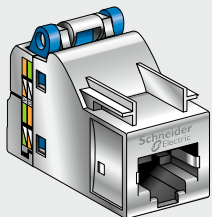
How to connect S-One
with SF/UTP cable



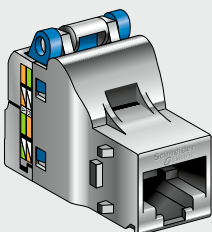
Composition

Shielded connector

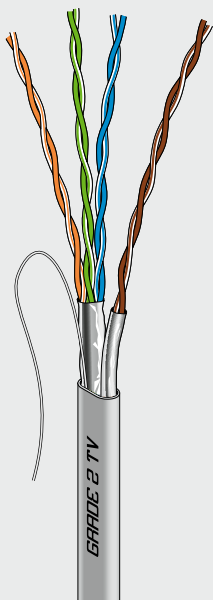
S-One



S-One DPM

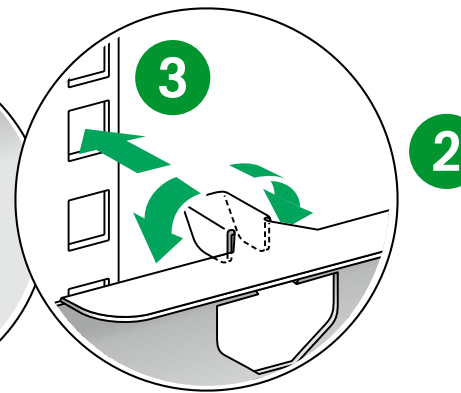
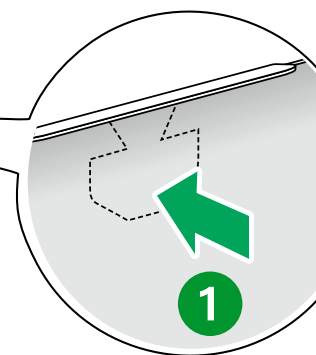
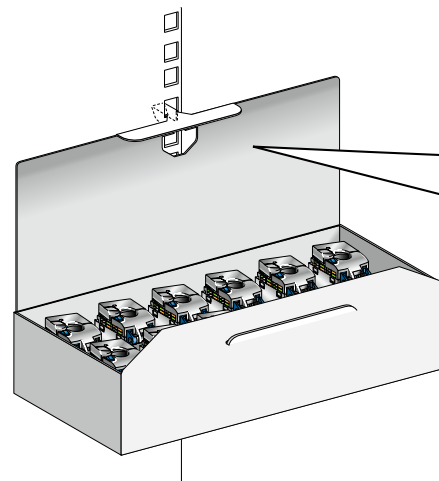
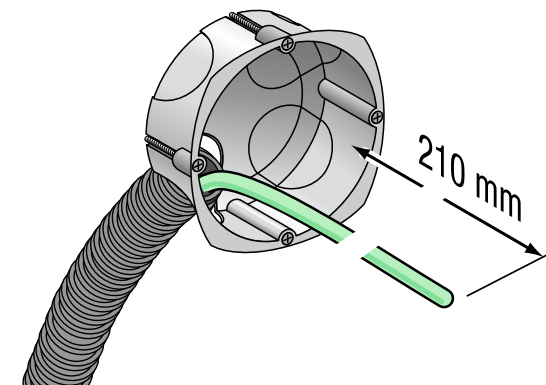


Grade 2 TV



VDIR580020

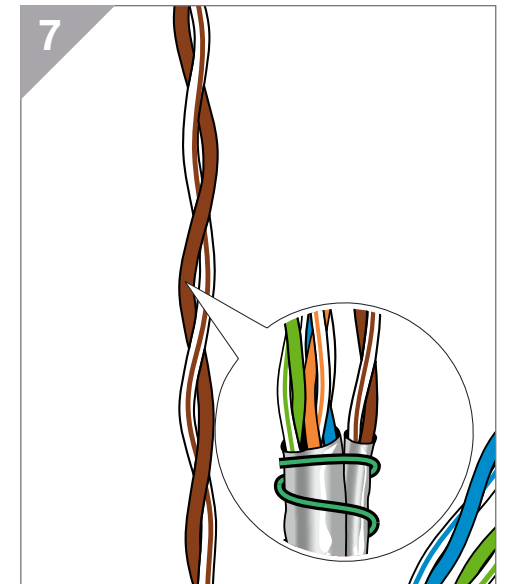
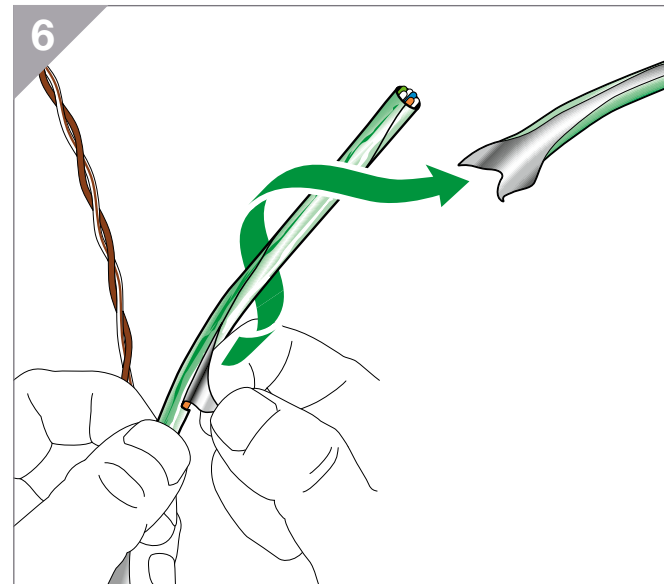
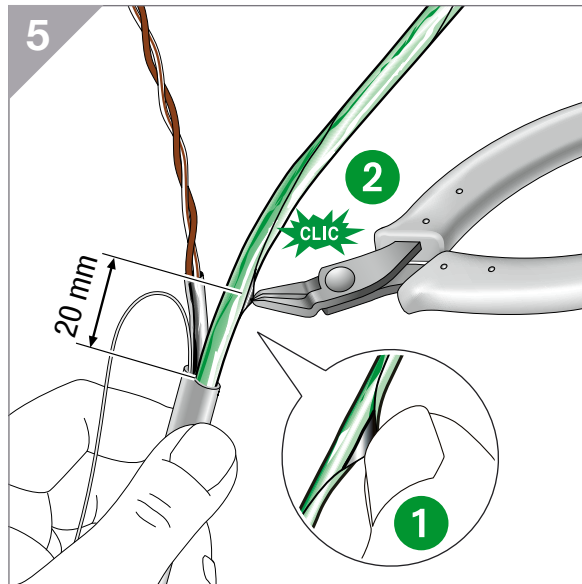
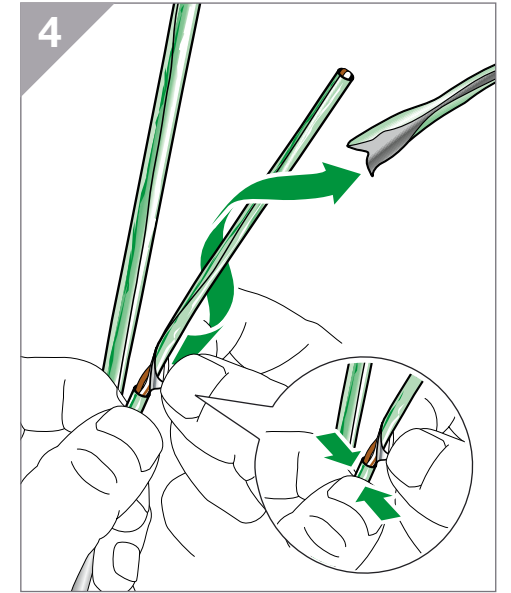
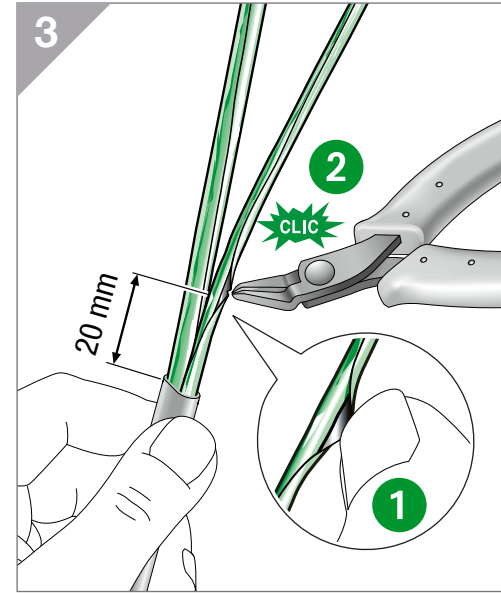
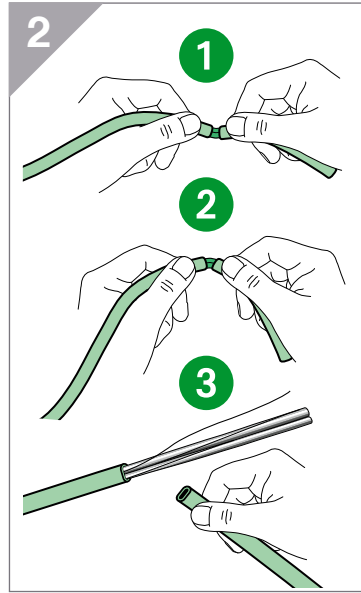
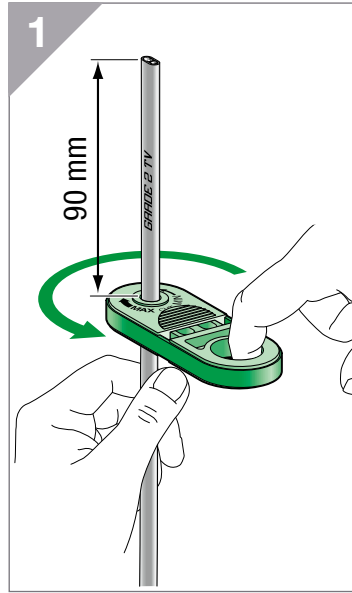
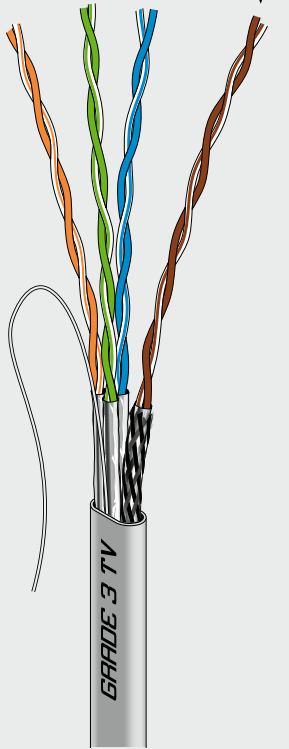
x1



Cable preparation

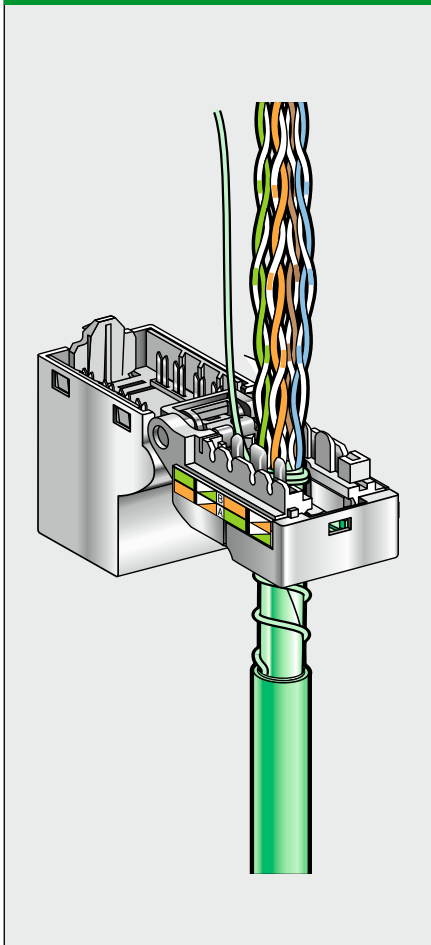
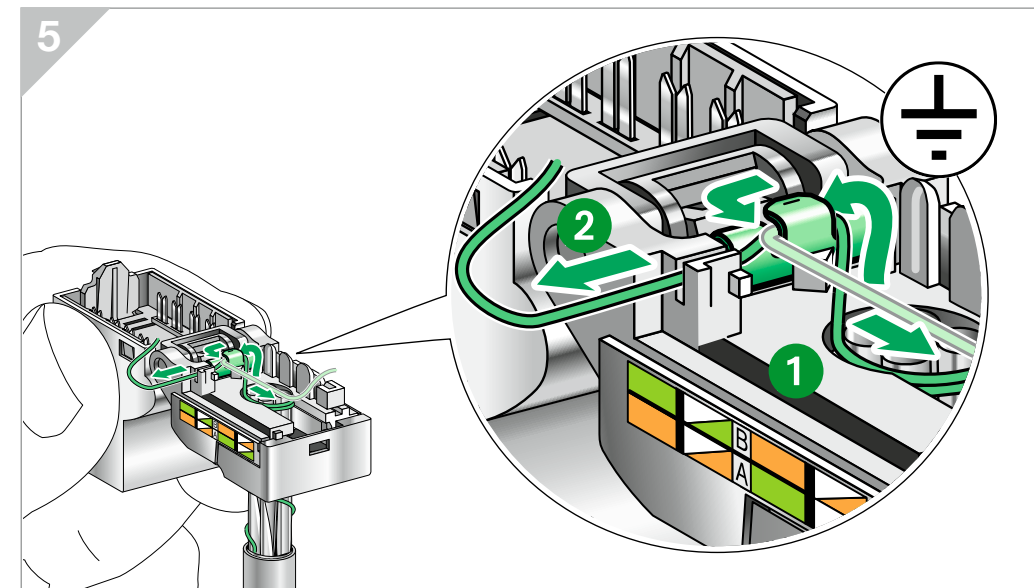
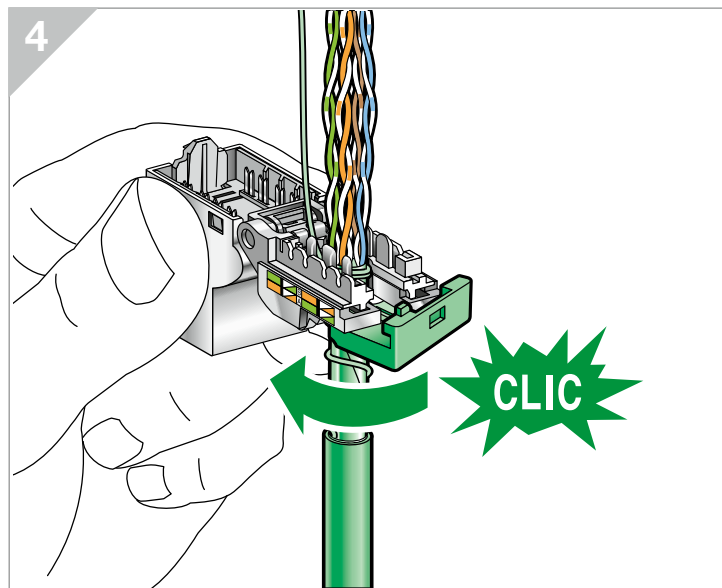
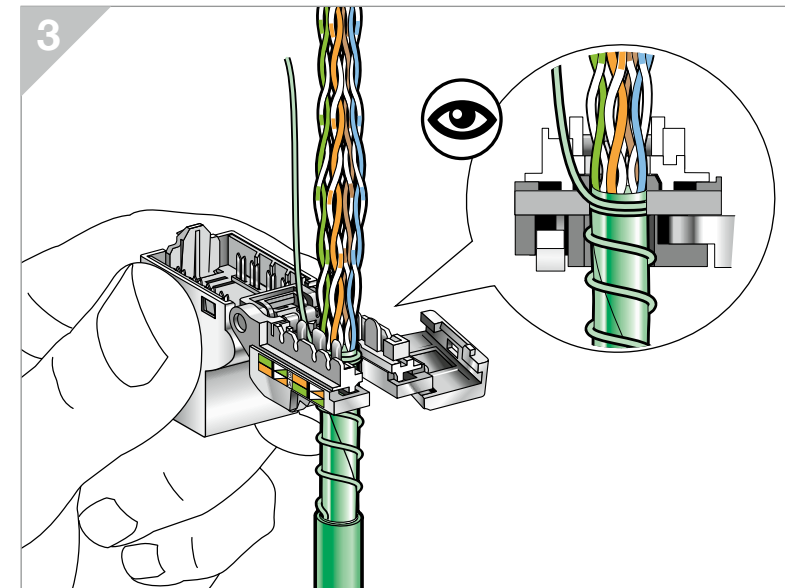
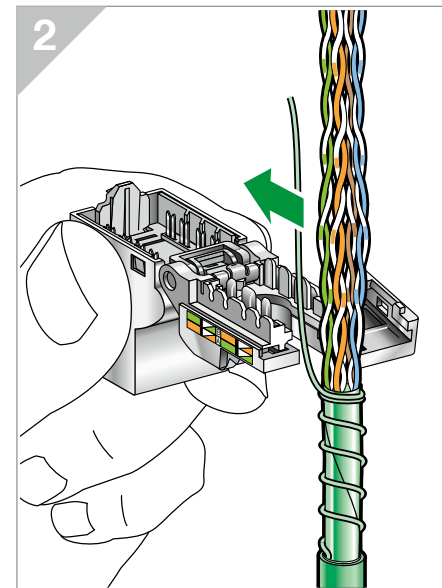
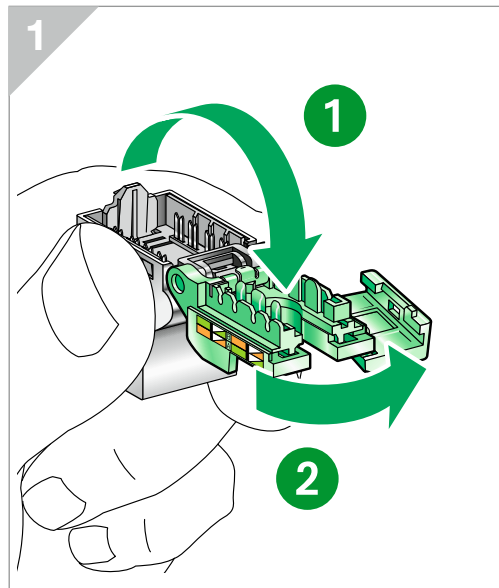
Grade 2 TV

Paire 7/8



Connector termination

Grade 2 TV

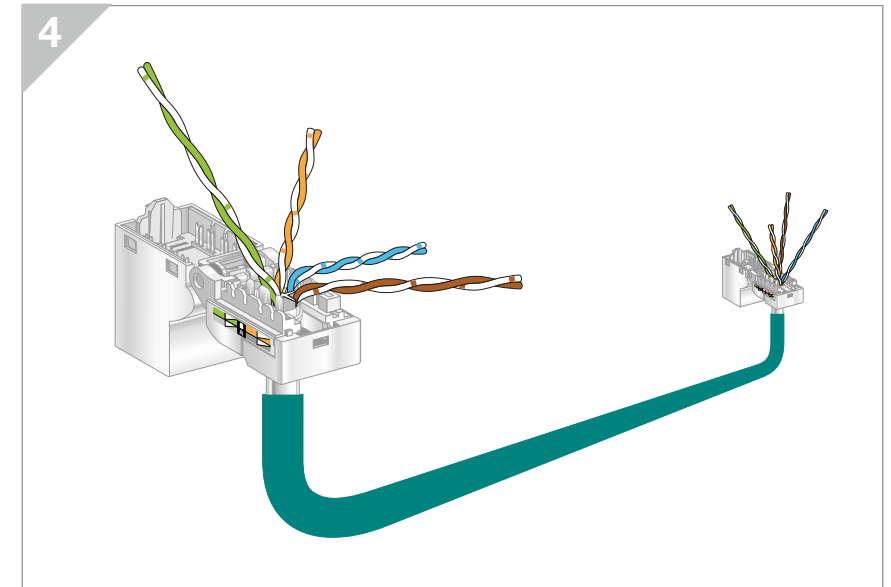
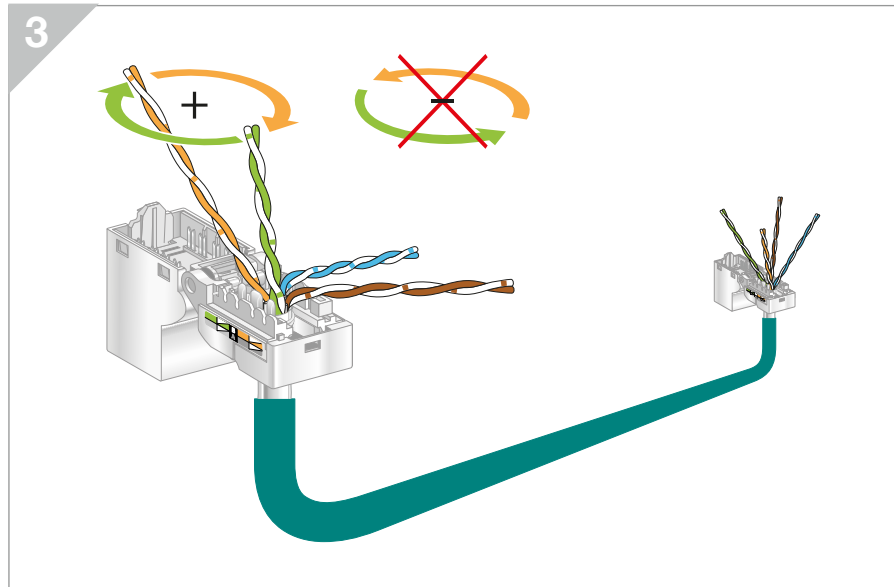
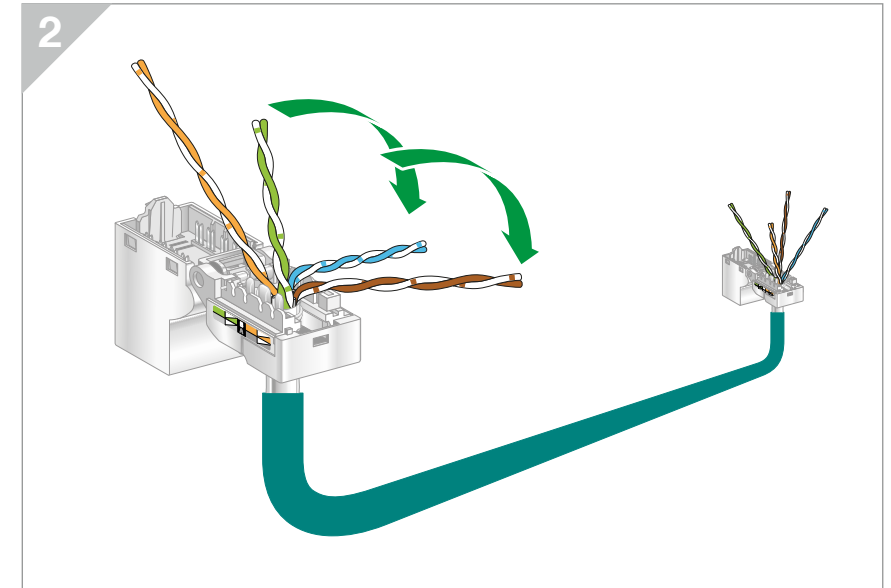
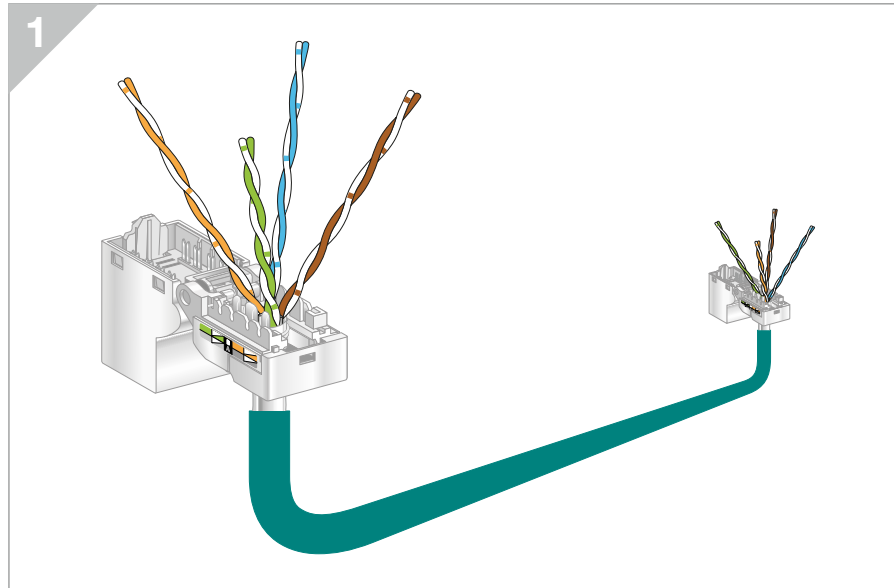
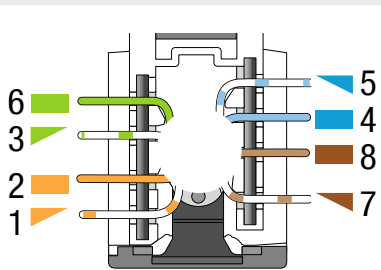


Pairs crossing

Grade 2 TV

How to prepare a Grade 2 TV cable acc. to T568B wiring code to reach high performance

EIA-TIA 568B (100Ω)

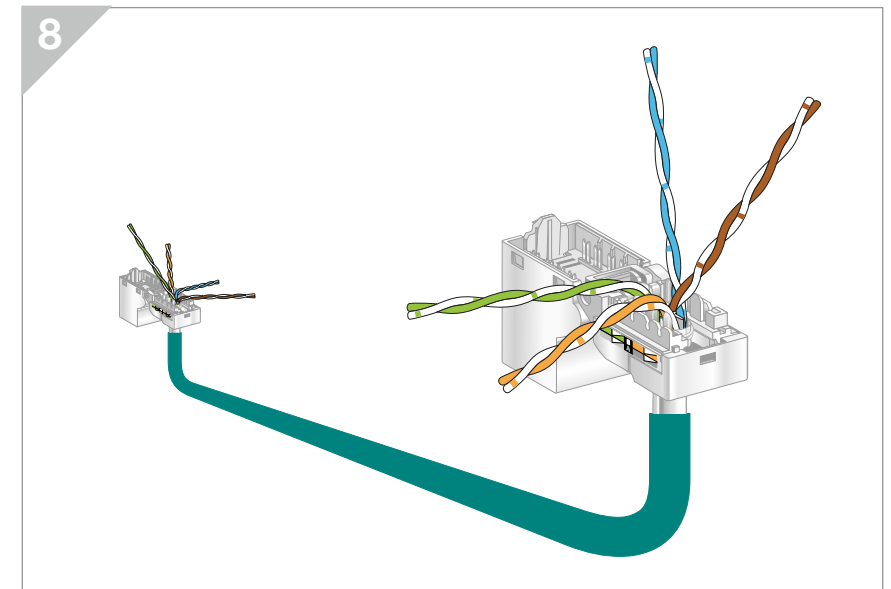
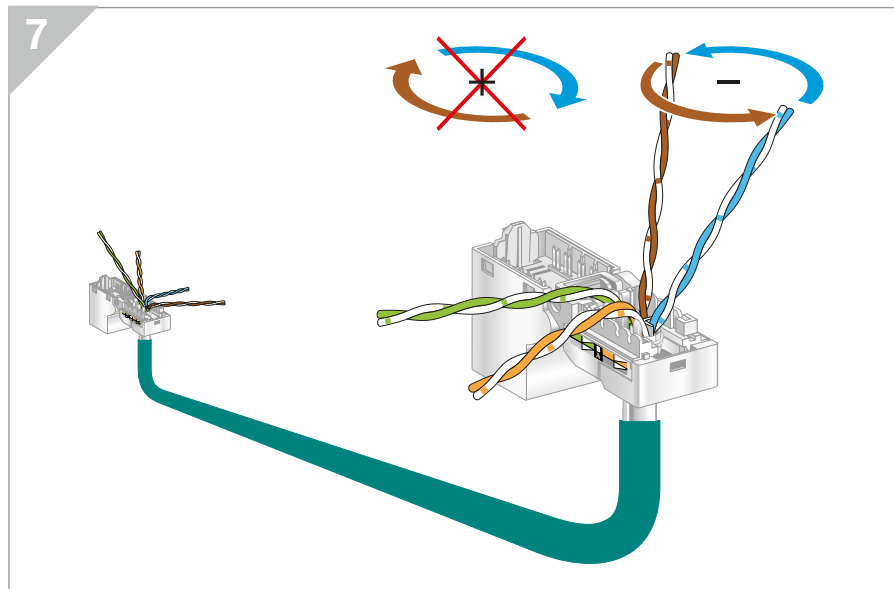
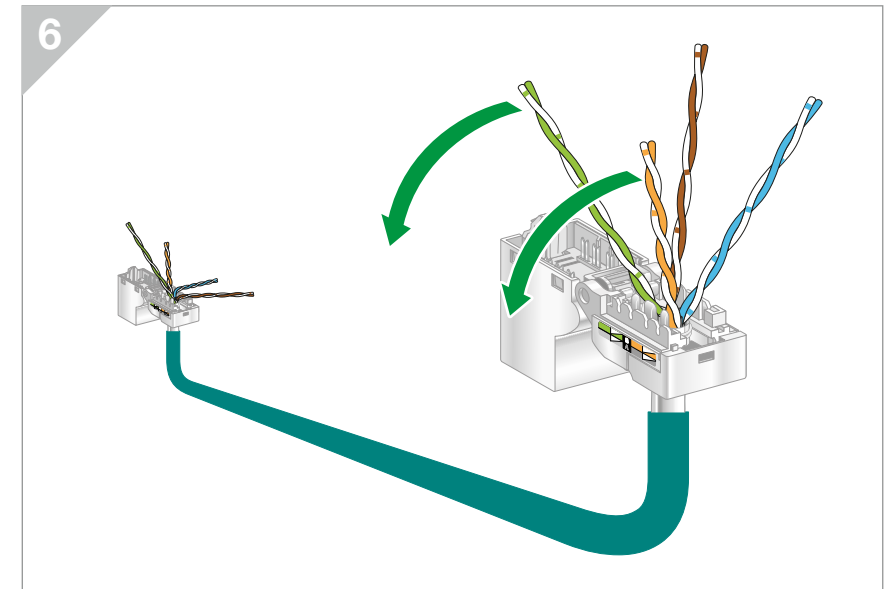
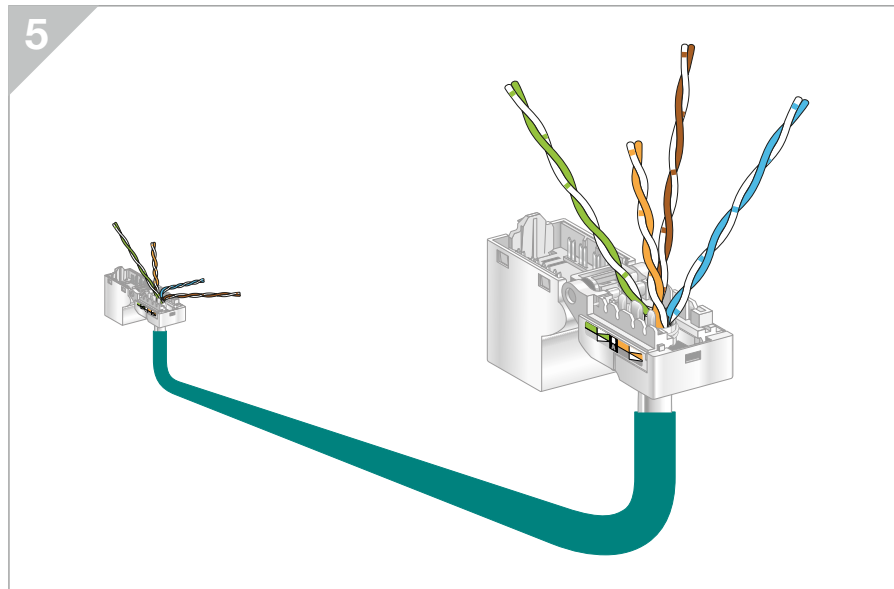
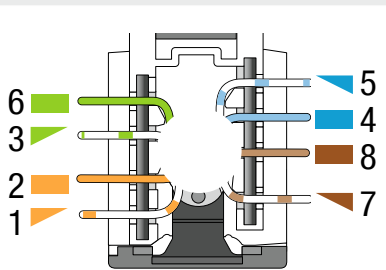


Pairs crossing

Grade 2 TV

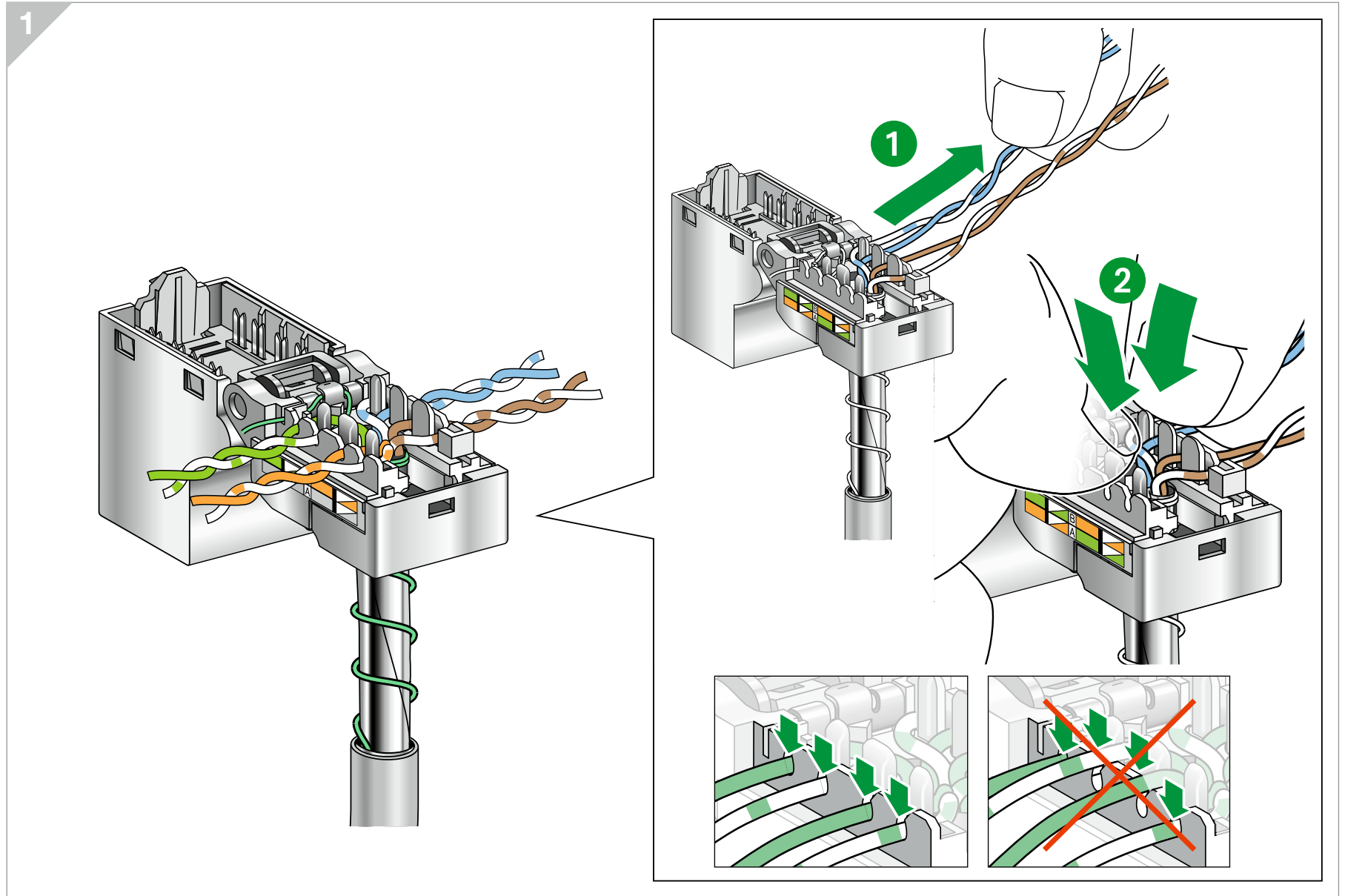
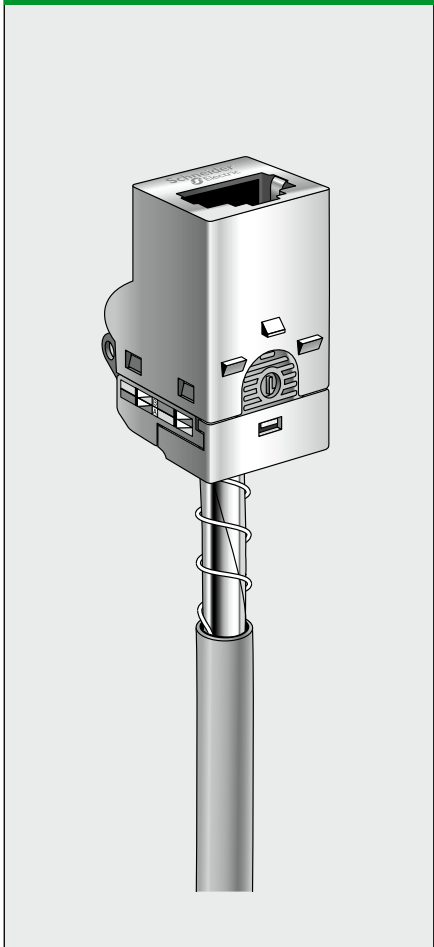
How to prepare a Grade 2 TV cable acc. to T568B wiring code to reach high performance

EIA-TIA 568B (100Ω)



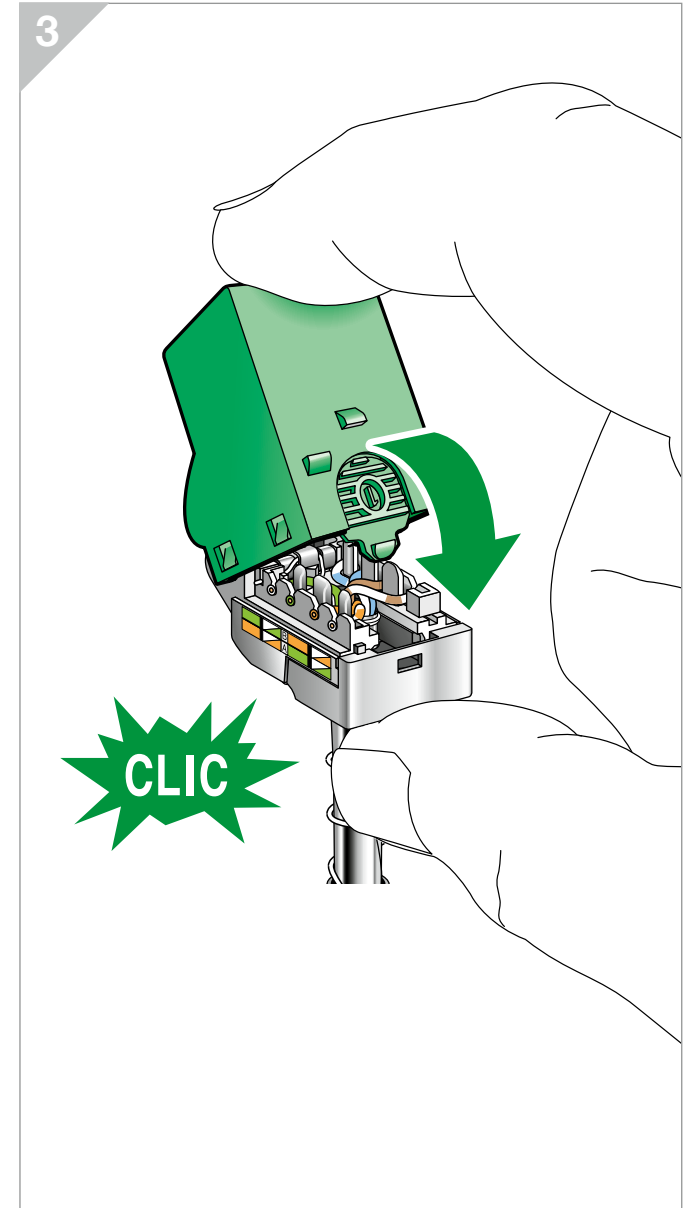
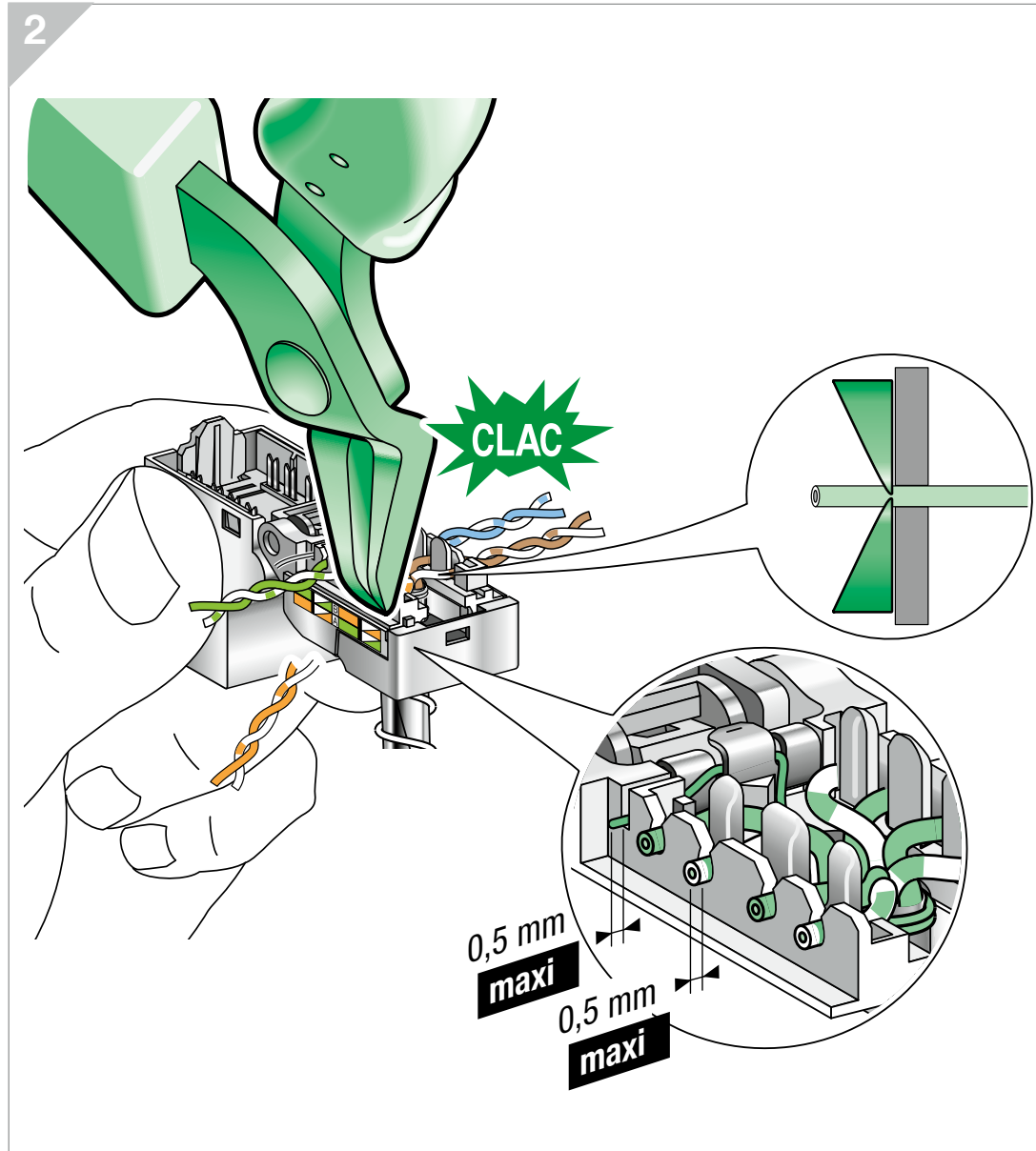
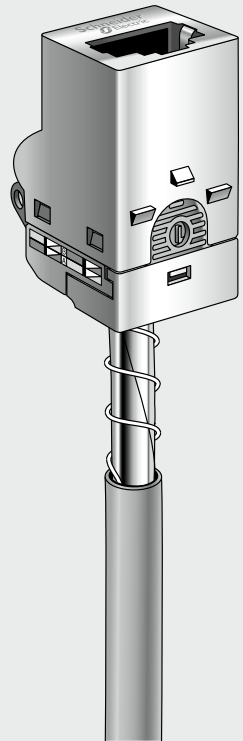
Connector connection

Grade 2 TV



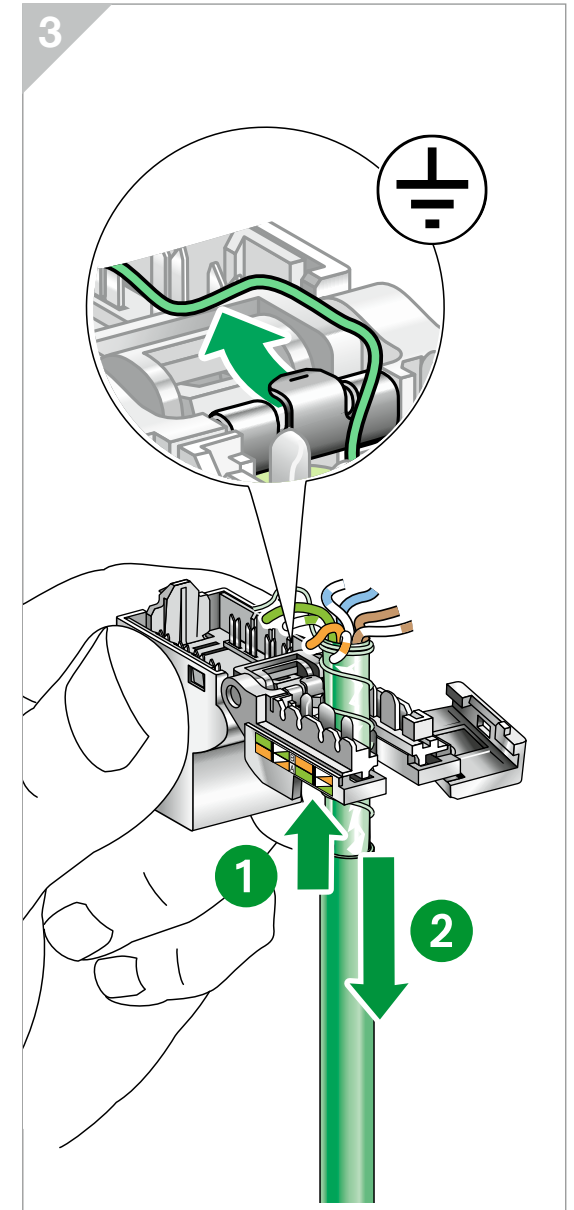
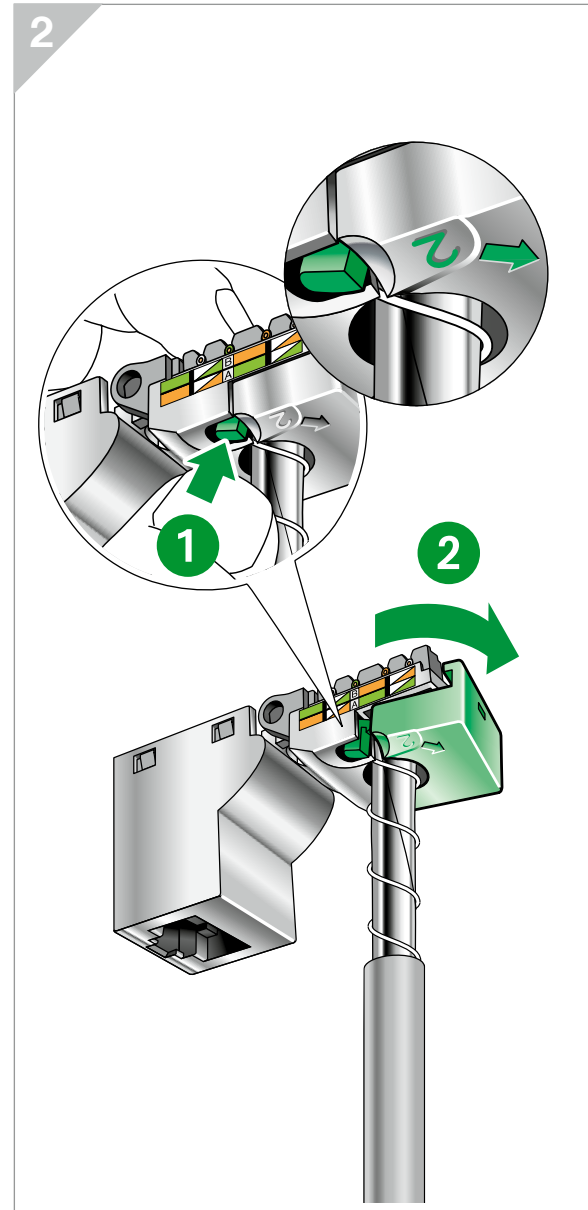
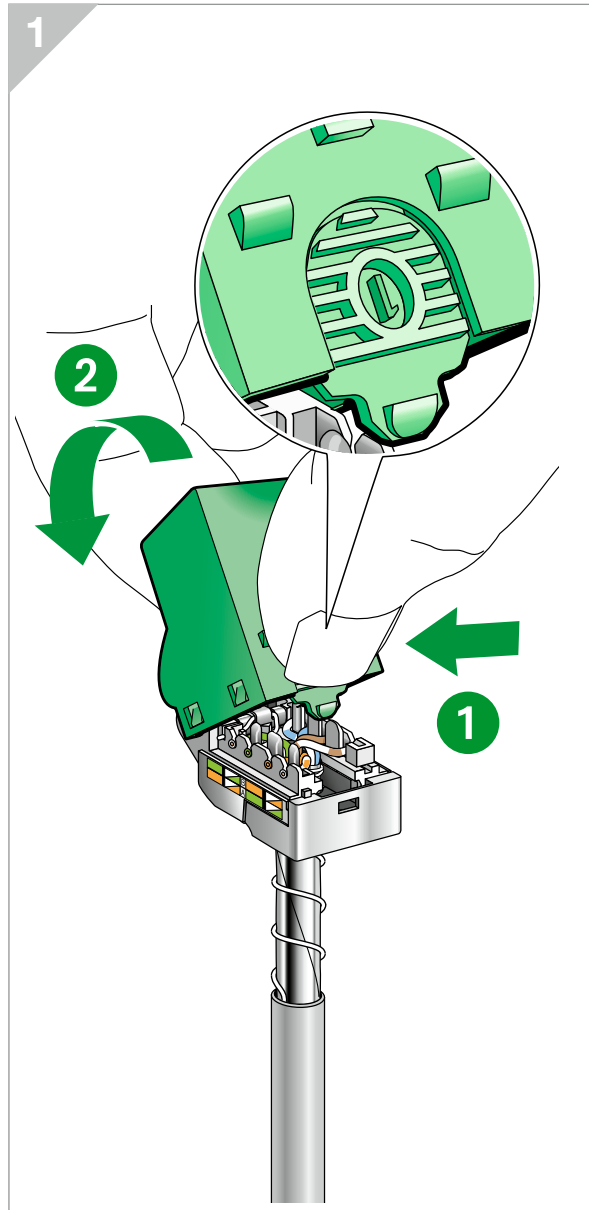
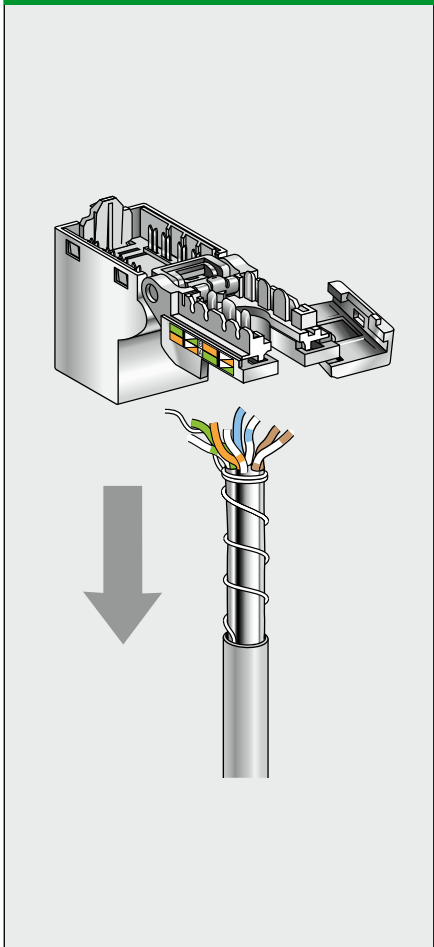
Connector connection

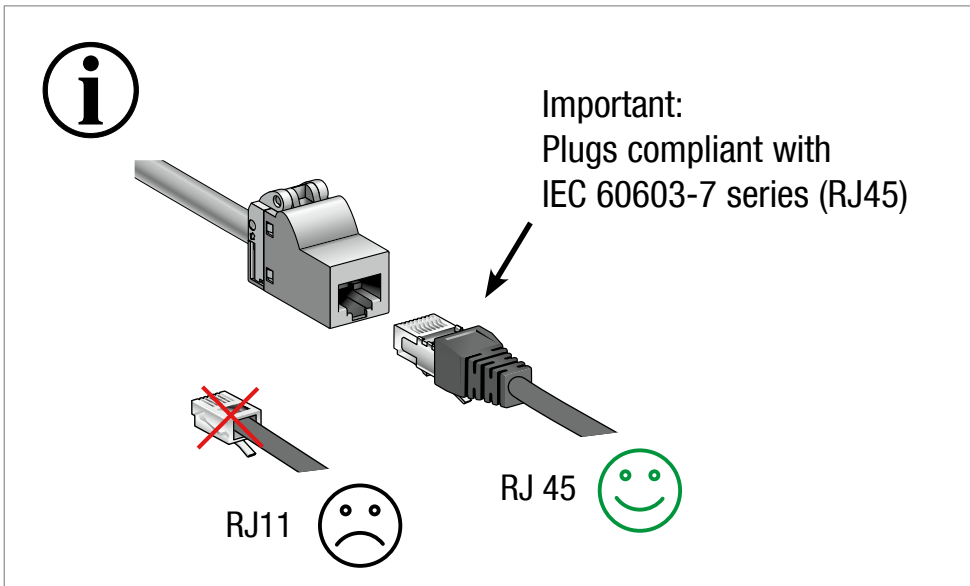
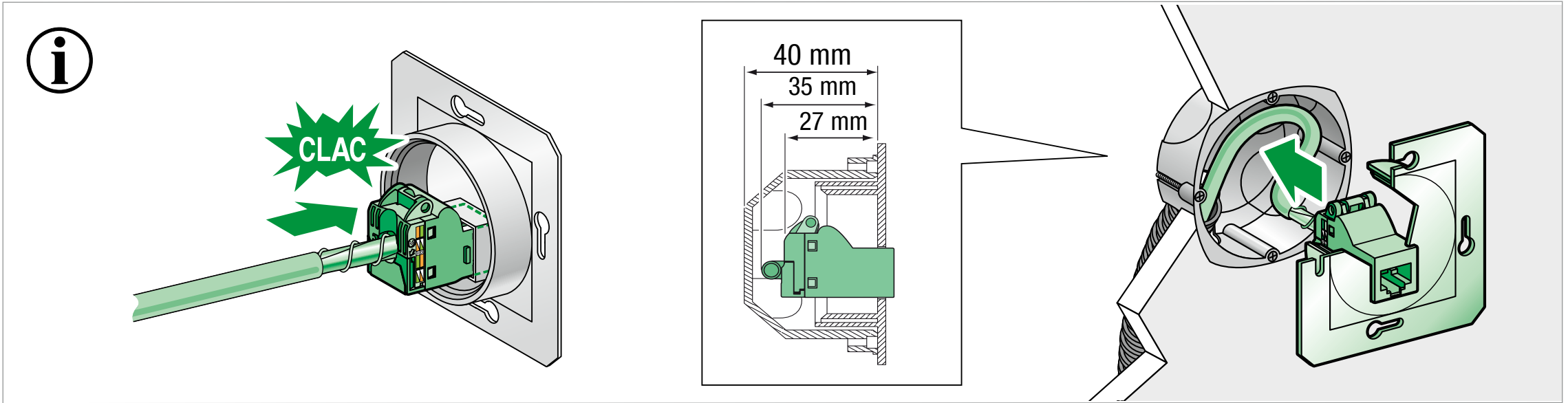
Grade 2 TV



Connector disconnection

Grade 2 TV

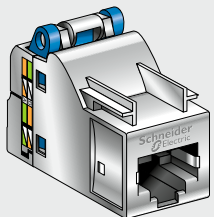




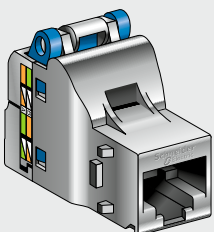
Composition

Shielded connector

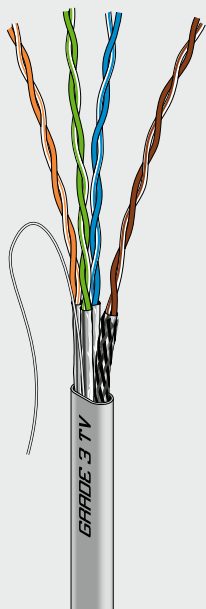
S-One



S-One DPM

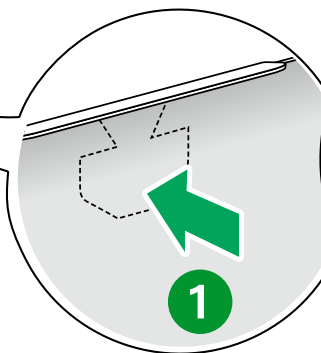
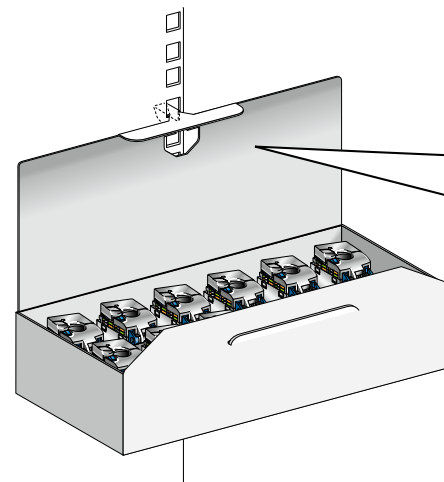
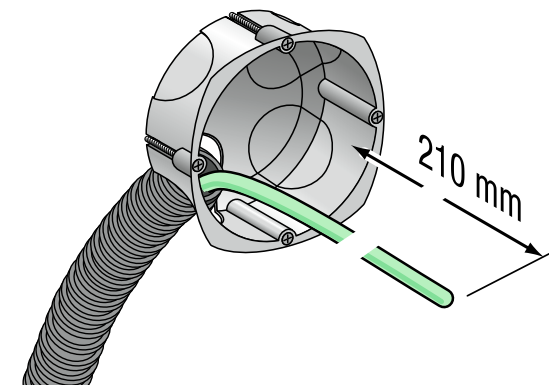


Grade 3 TV



VDIR580020

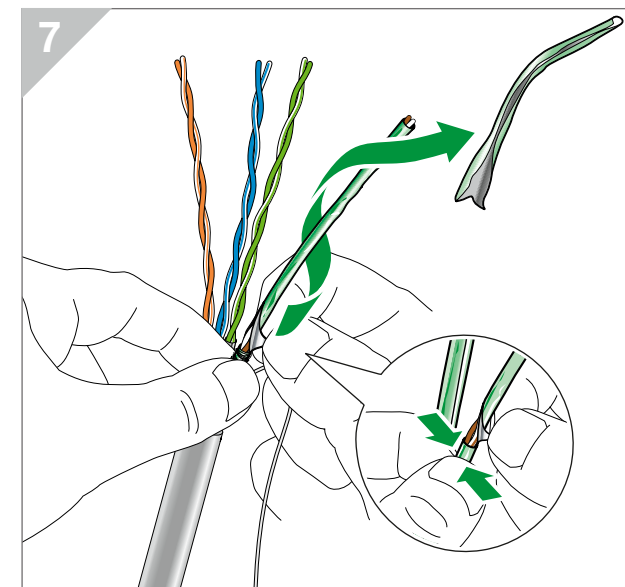
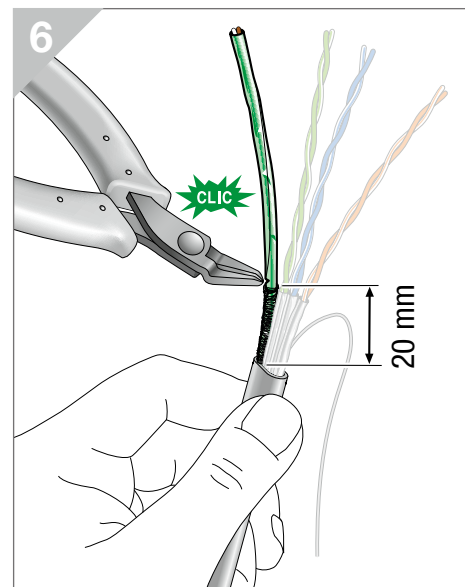
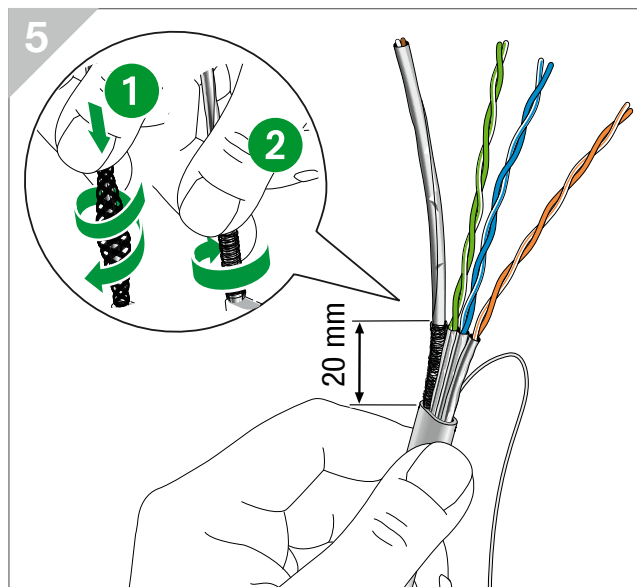
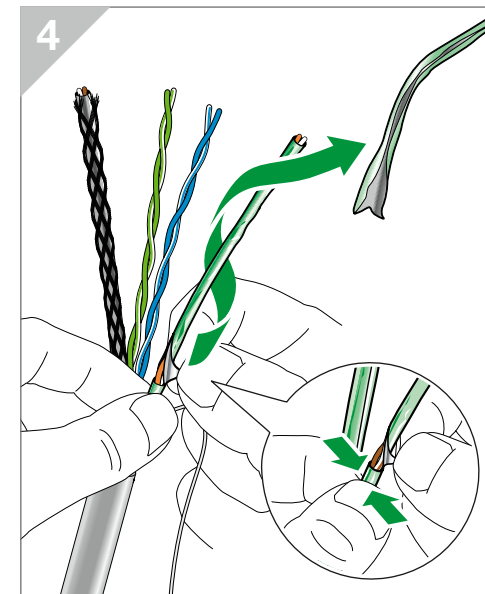
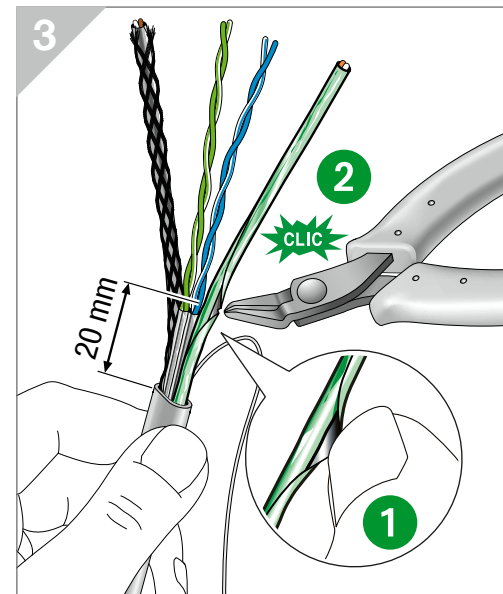
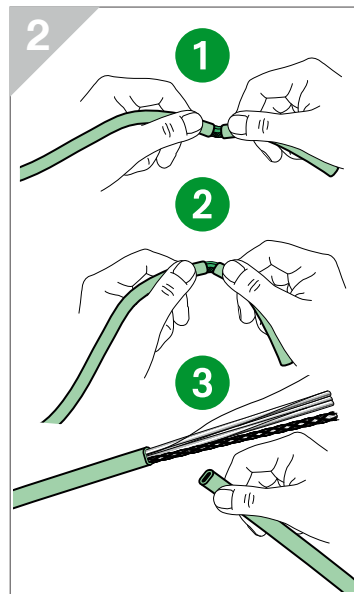
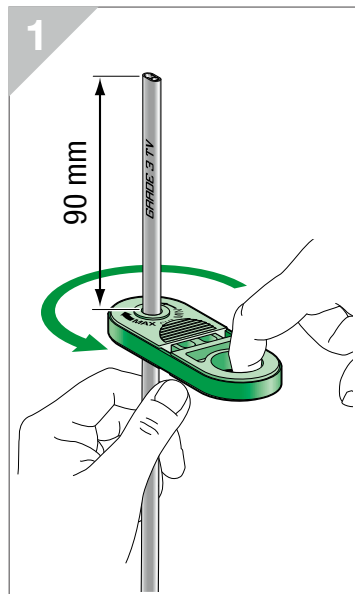
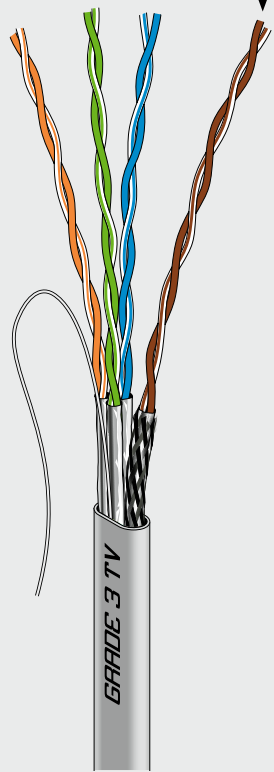
x1



Cable preparation

Grade 3 TV

Paire 7/8

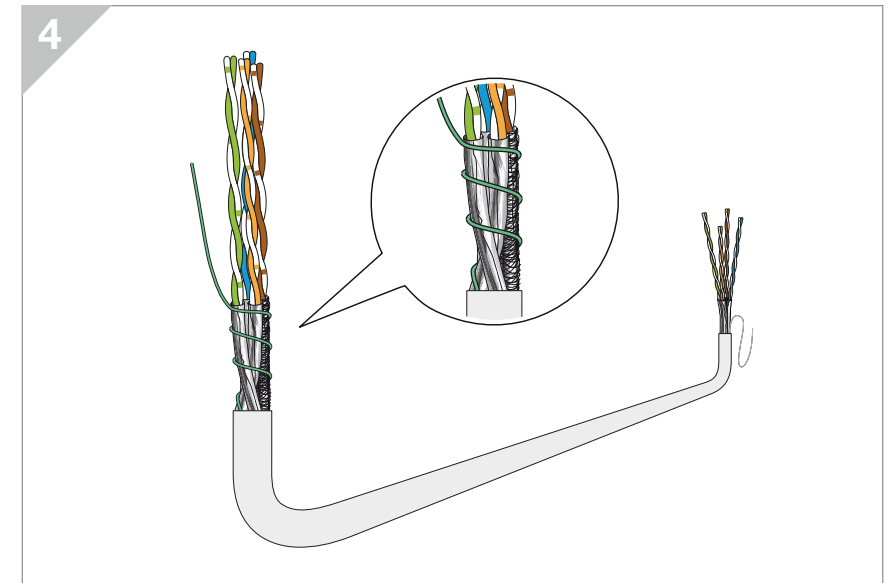
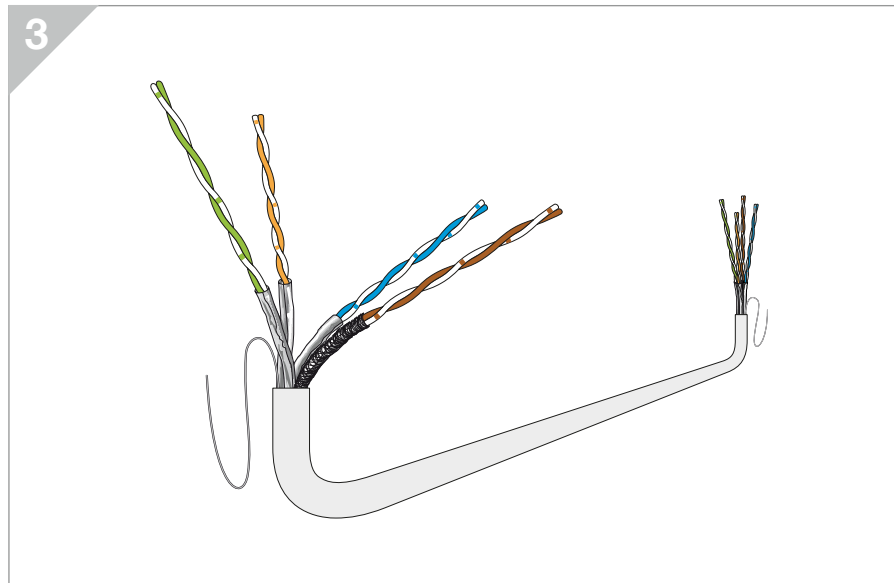
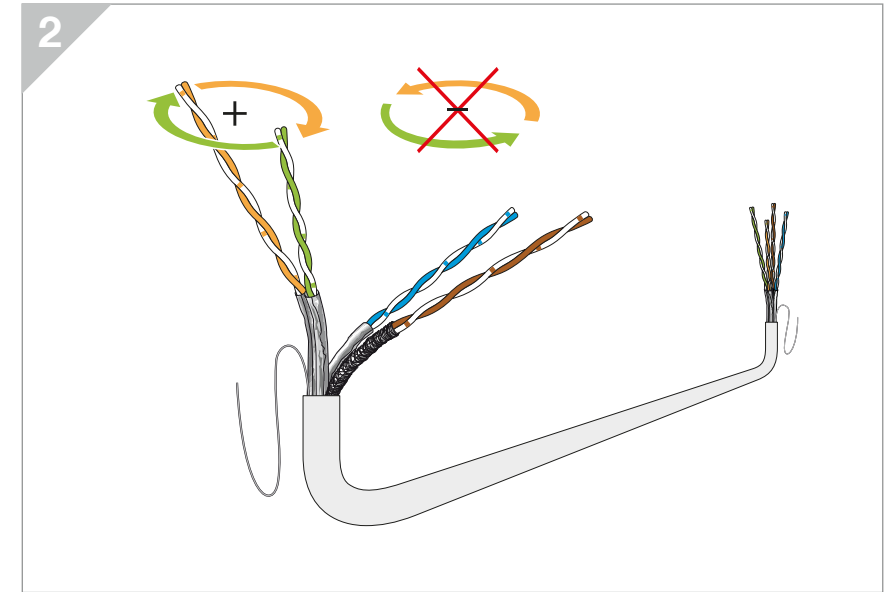
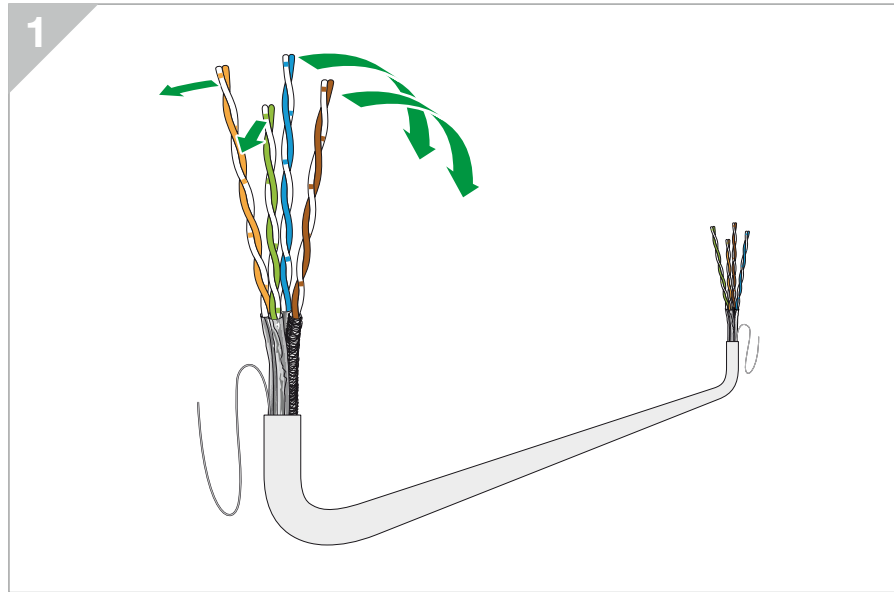
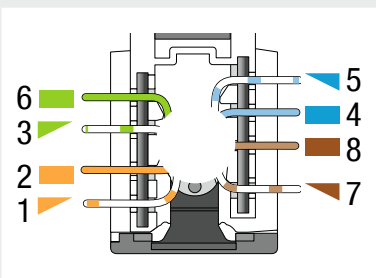


Pairs crossing

Grade 3 TV

How to prepare a Grade 3 TV cable acc. to T568B wiring code to reach high performance

EIA-TIA 568B (100Ω)

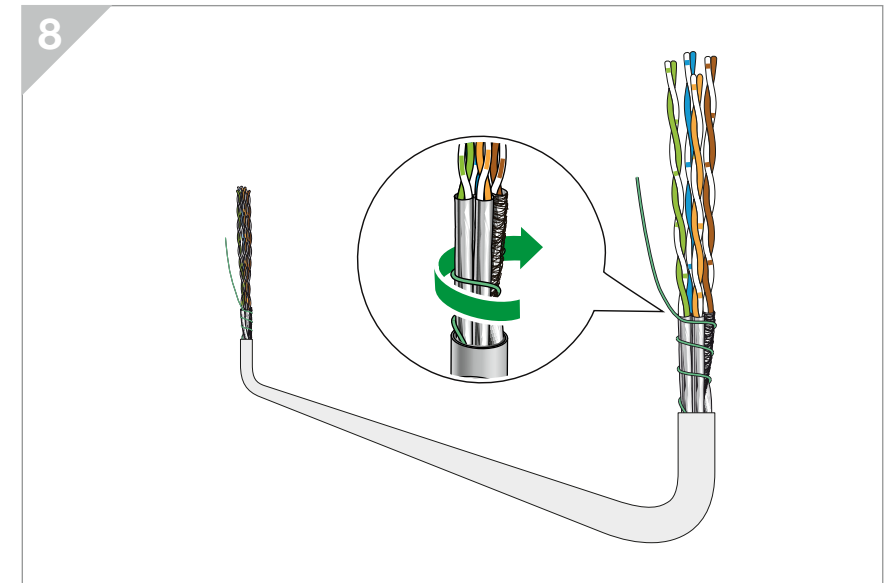
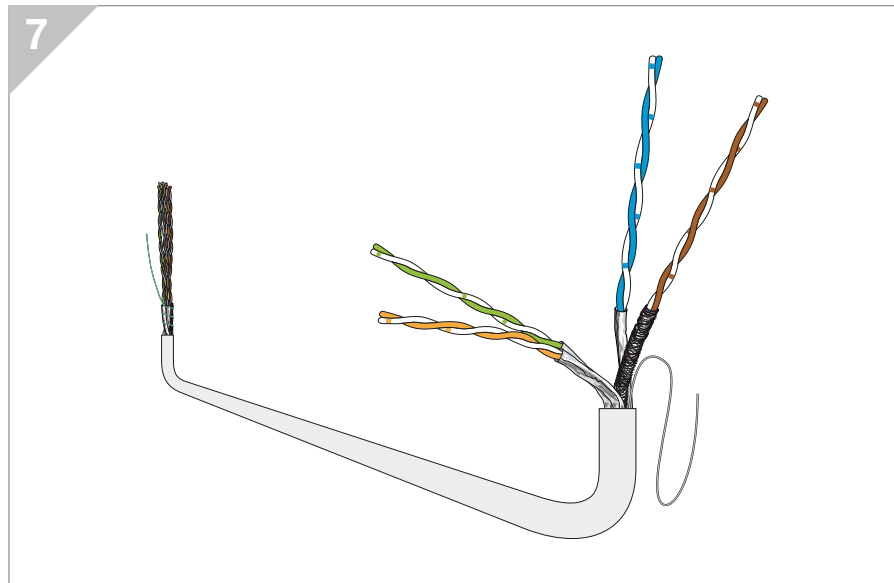
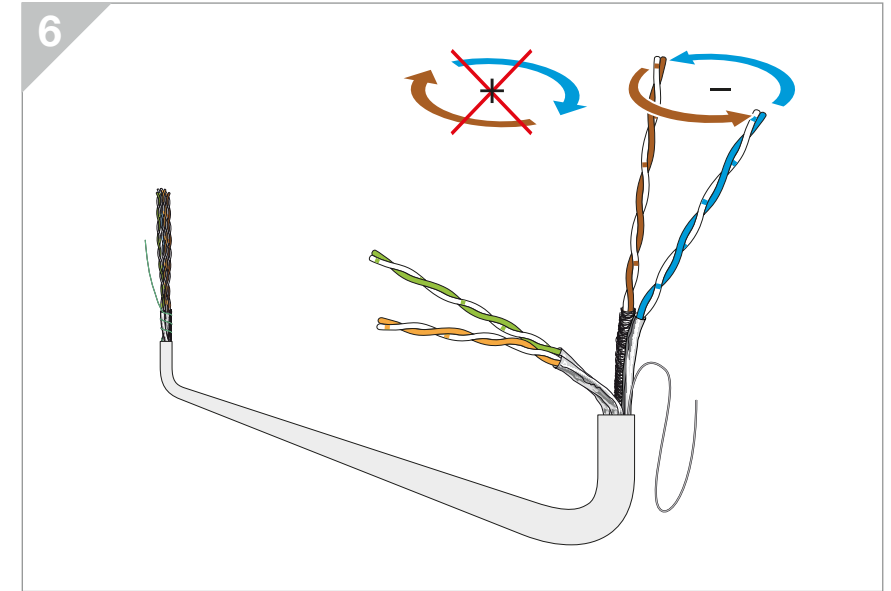
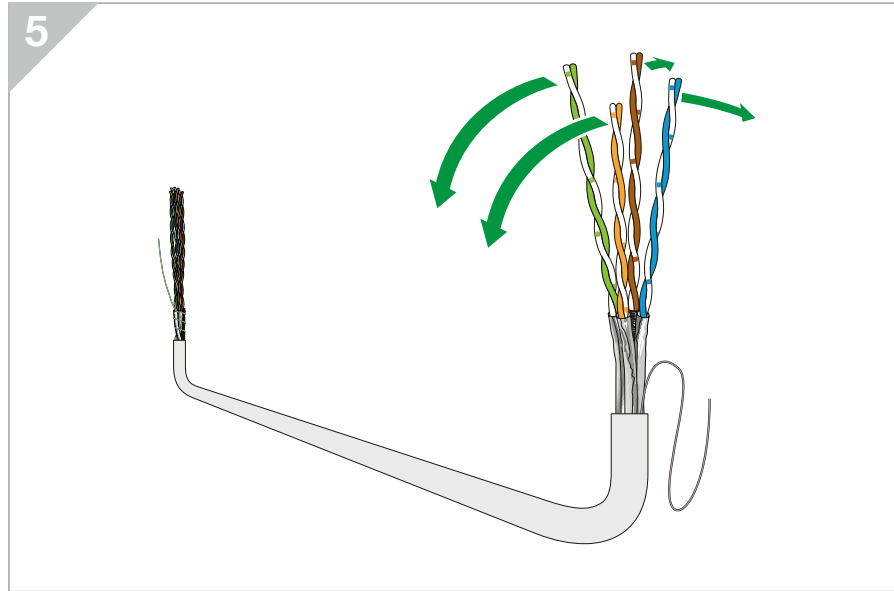
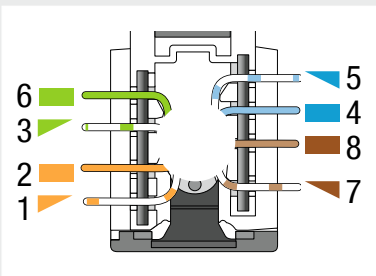


Pairs crossing

Grade 3 TV

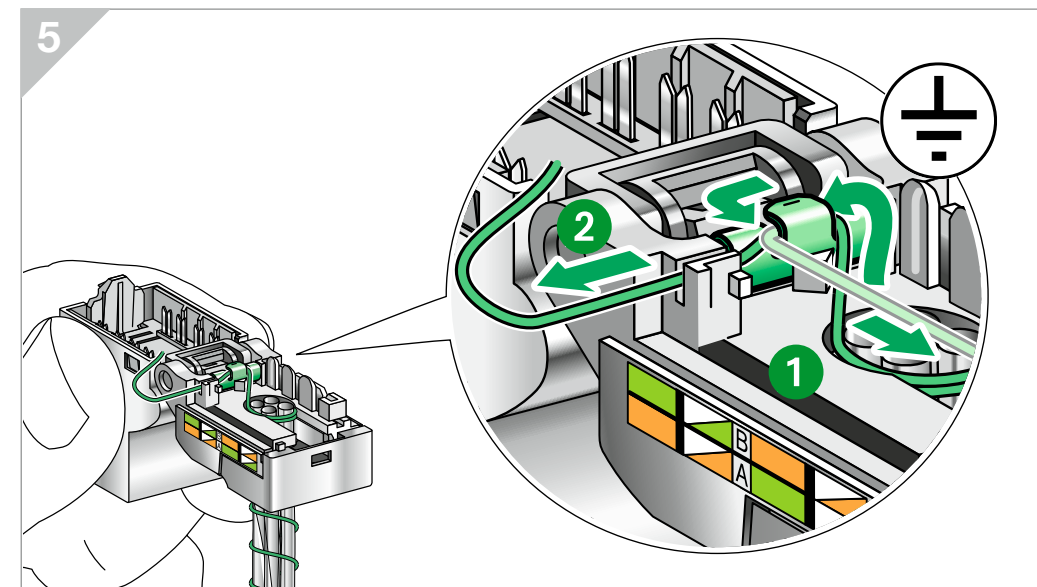
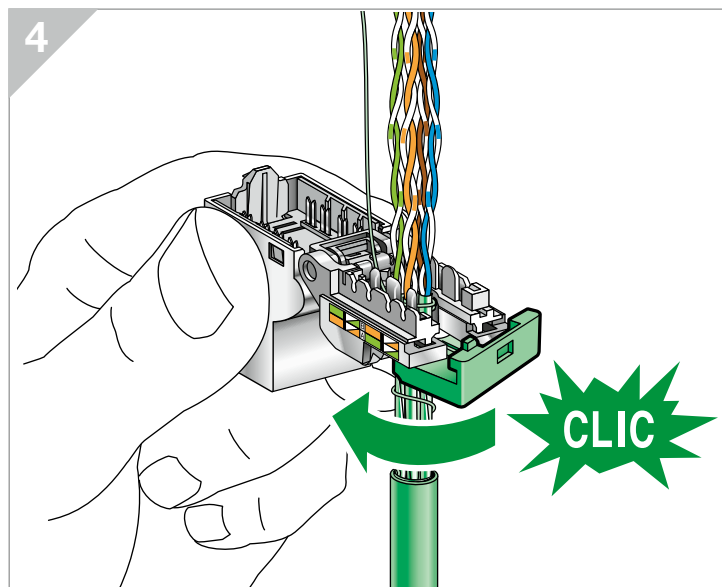
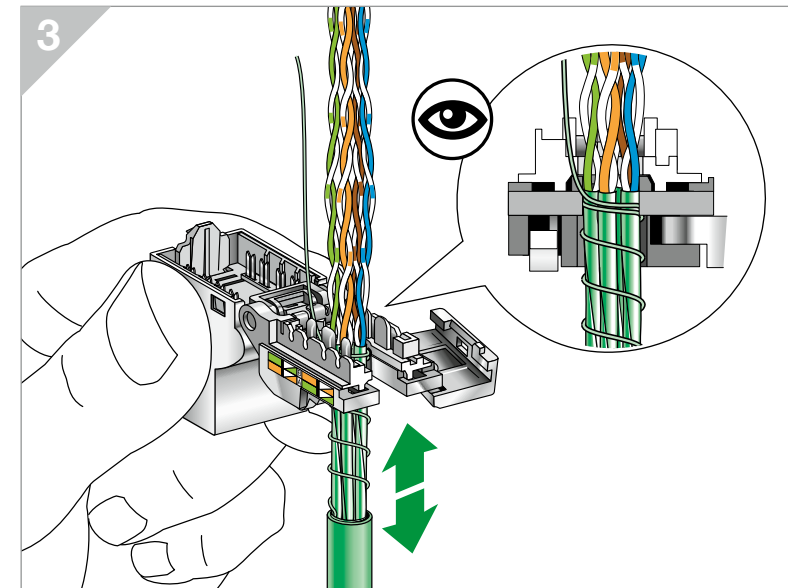
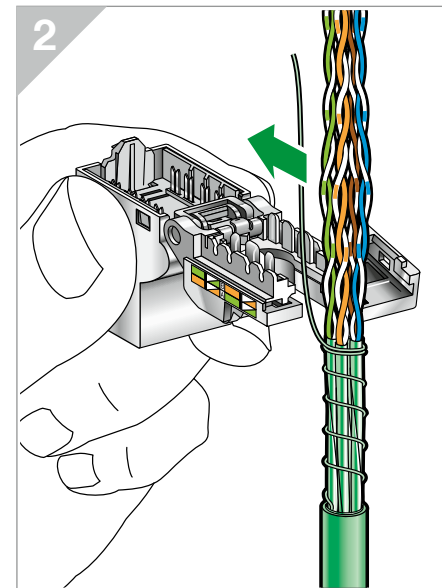
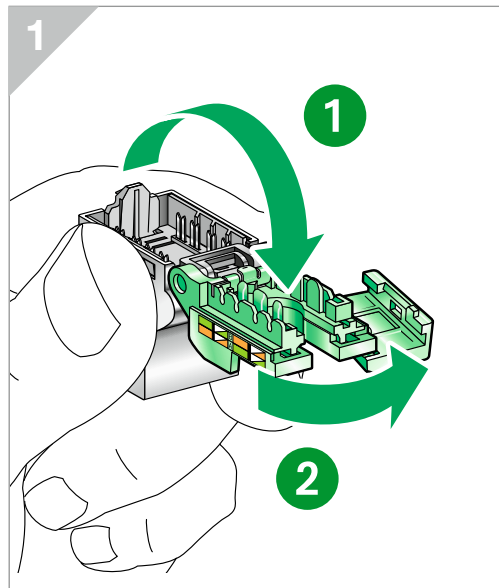
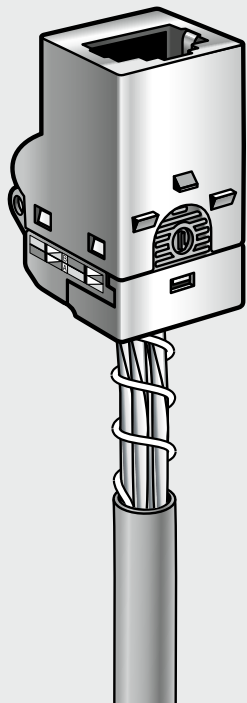
How to prepare a Grade 3 TV cable acc. to T568B wiring code to reach high performance

EIA-TIA 568B (100Ω)



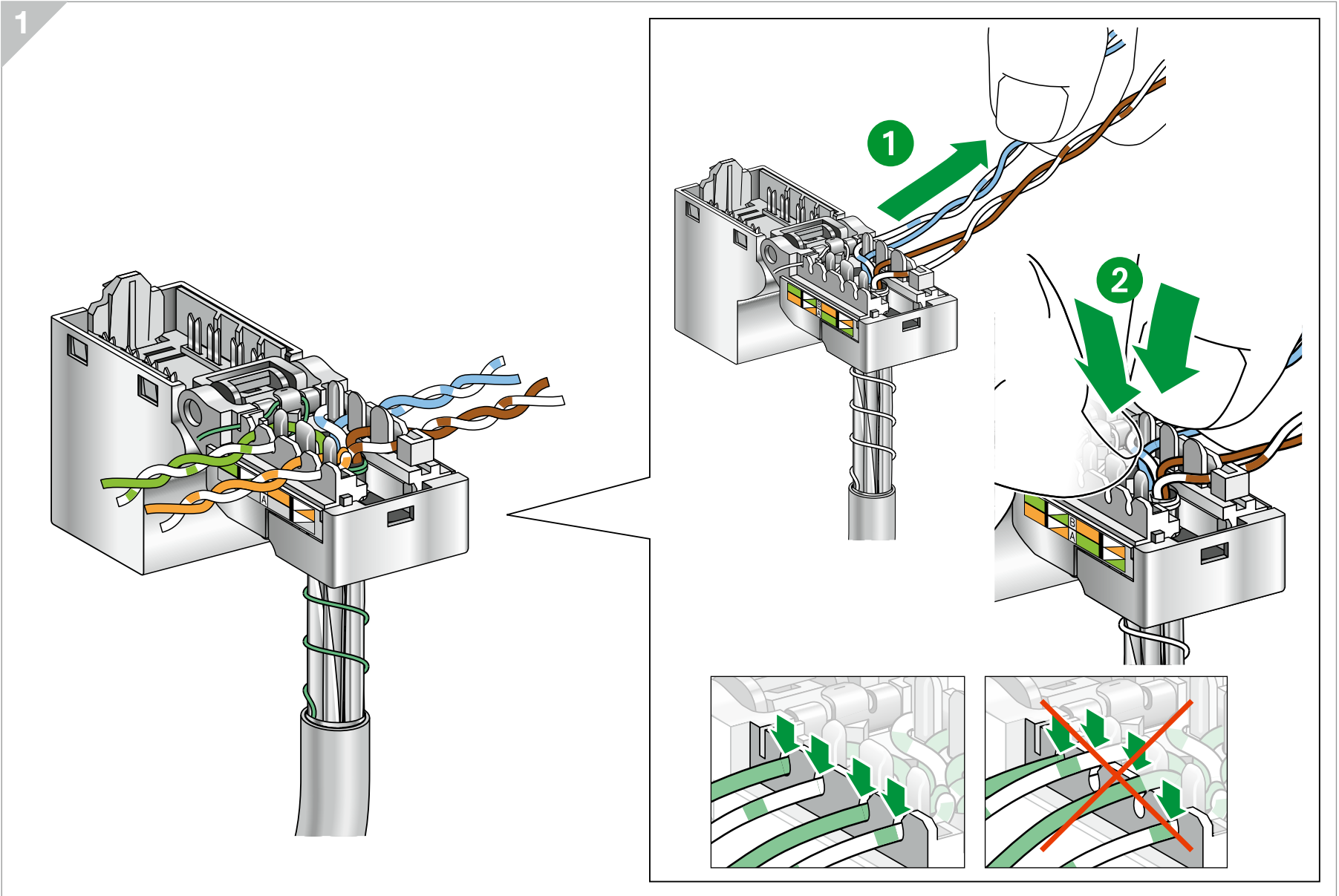
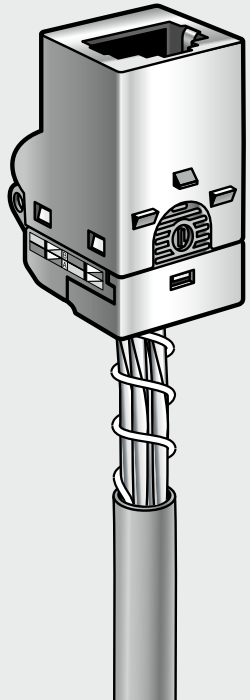
Connector termination

Grade 3 TV



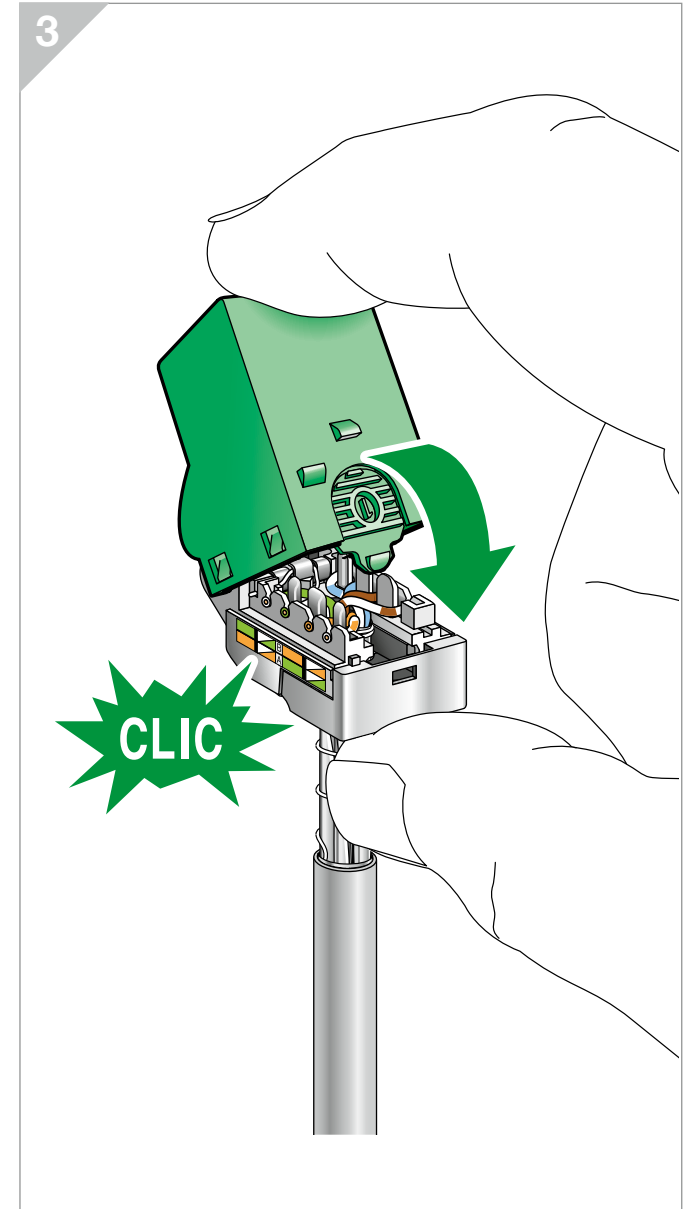
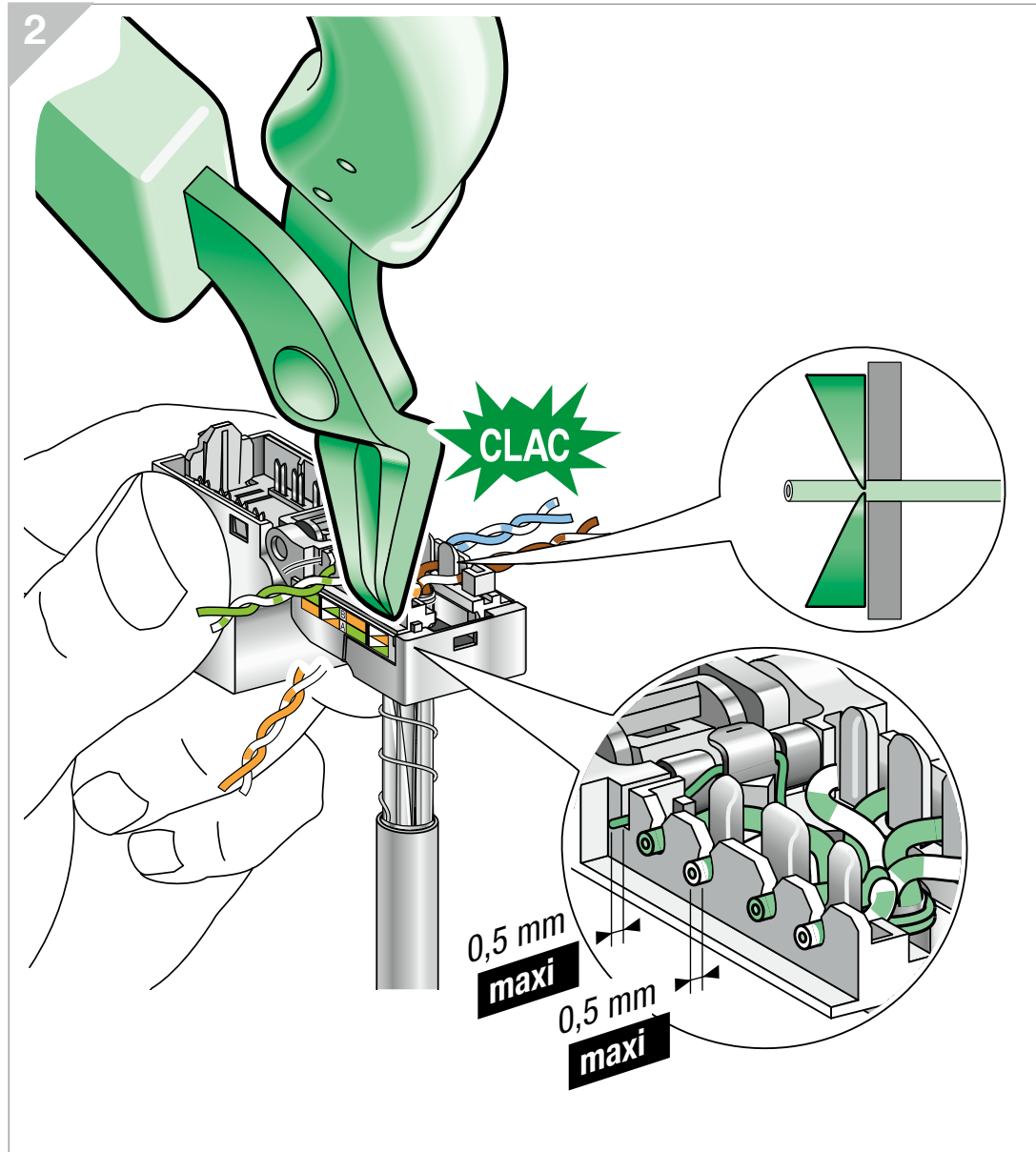
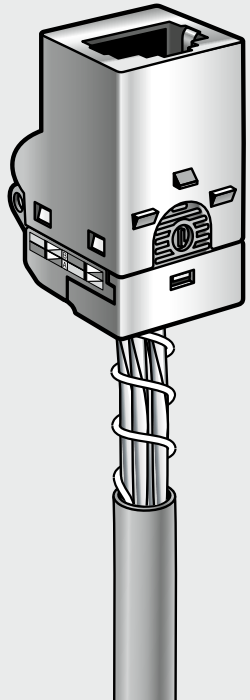
Connector connection

Grade 3 TV



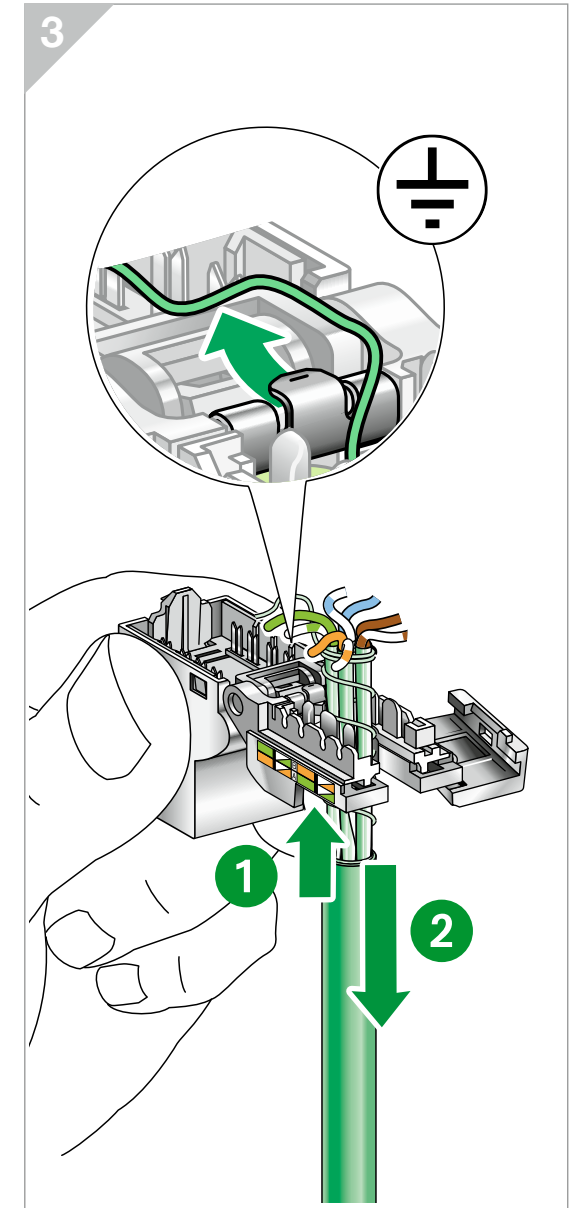
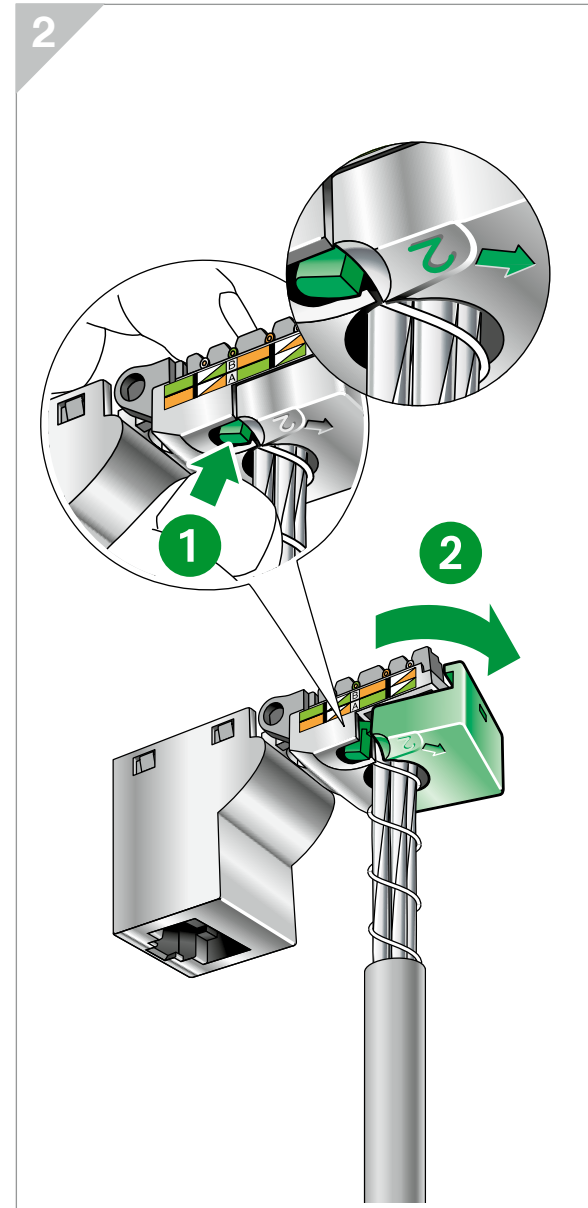
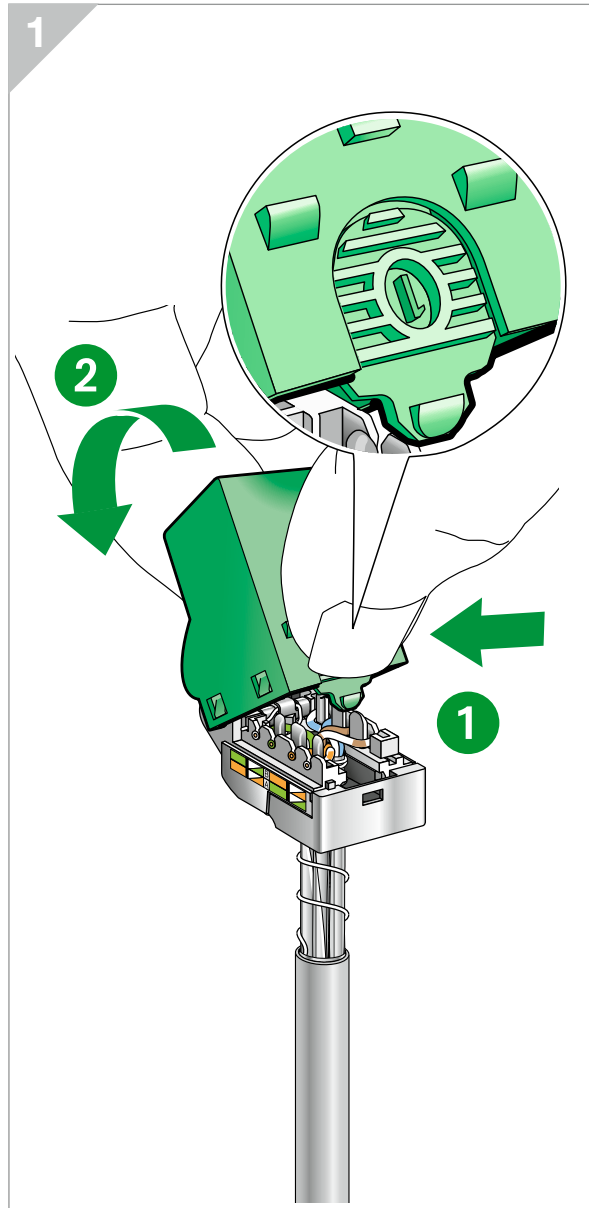
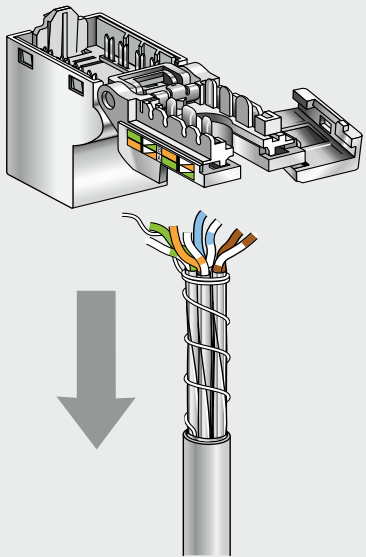
Connector connection

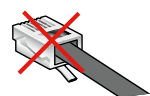
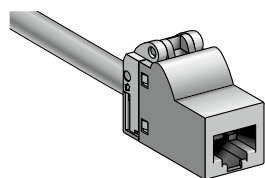
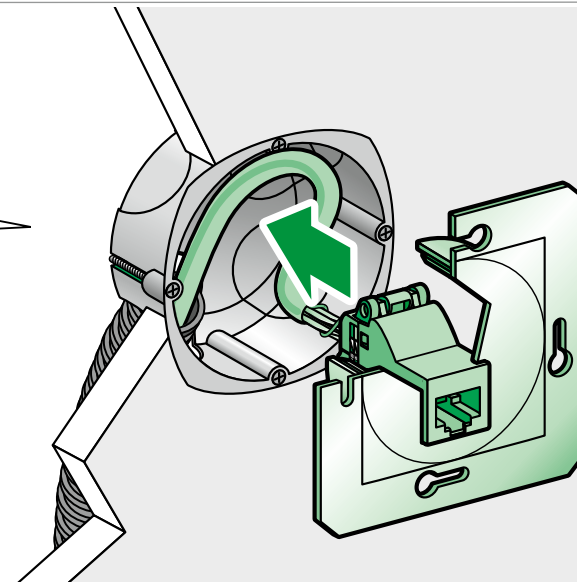
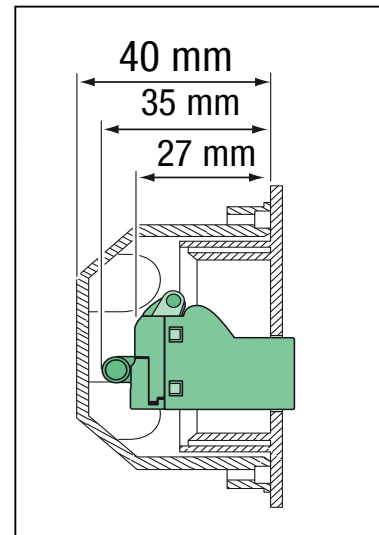
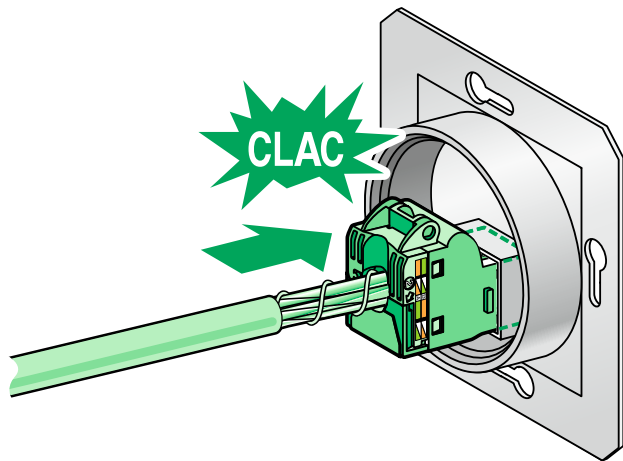
Grade 3 TV



Connector disconnection

Grade 3 TV

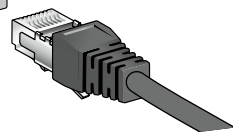




RJ11



Important:
Plugs compliant with
IEC 60603-7 series (RJ45)



RJ 45



How to connect S-One
with Grade 3 TV cable



Schneider Electric Industries SAS

35, rue Joseph Monier

CS 30323

F - 92506 Rueil Malmaison Cedex

RCS Nanterre 954 503 439

Capital social 896 313 776 €

www.schneider-electric.com

GEX94517000

Ce produit doit être installé, raccordé et utilisé en respectant les normes et/ou les règlements d'installation en vigueur.

En raison de l'évolution des normes et du matériel, les caractéristiques et cotes d'encombrement données ne nous engagent qu'après confirmation par nos services.

This product must be installed, connected and used in compliance with prevailing standards and/or installation regulations.

As standards, specifications and designs change from time to time, always ask for confirmation of the information given in this publication.

© 11-2022 Schneider Electric - All rights reserved.