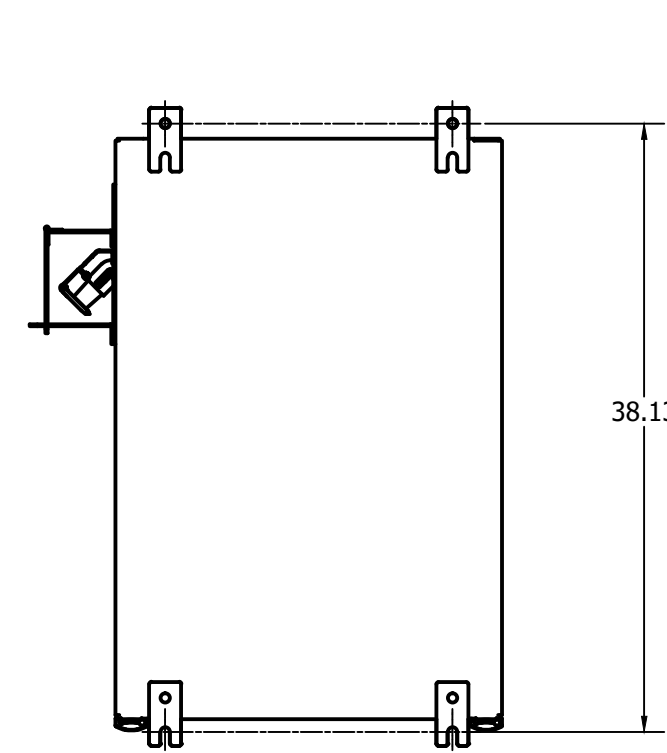
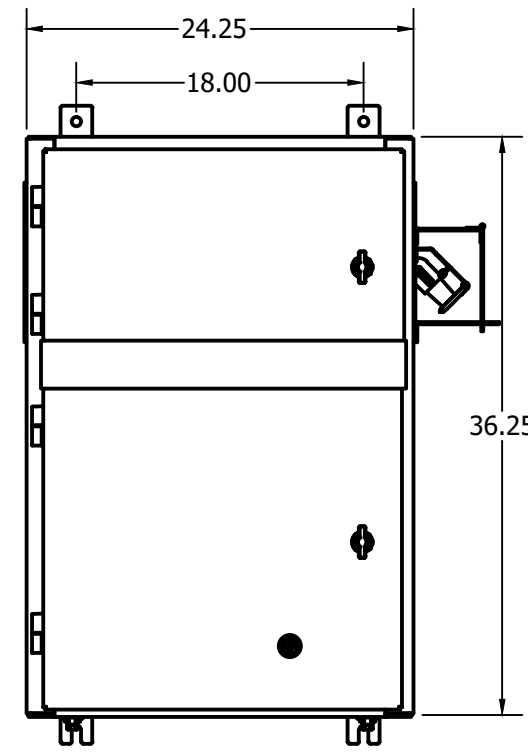


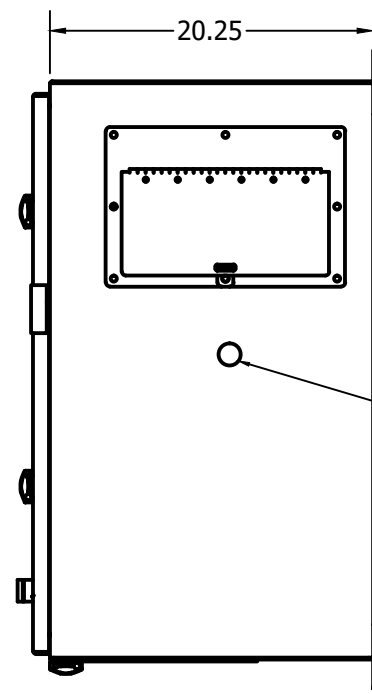
# 150 AMP DUAL PURPOSE QUICK CONNECT PANEL



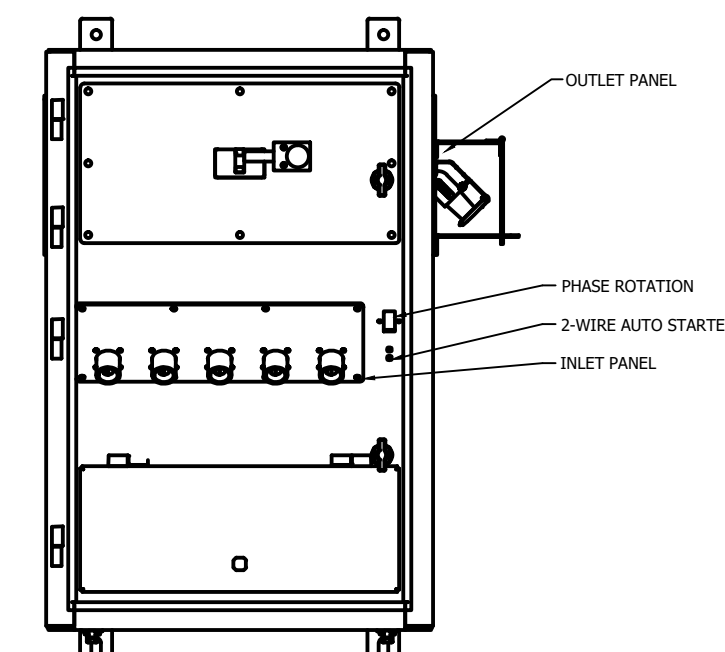
REAR VIEW



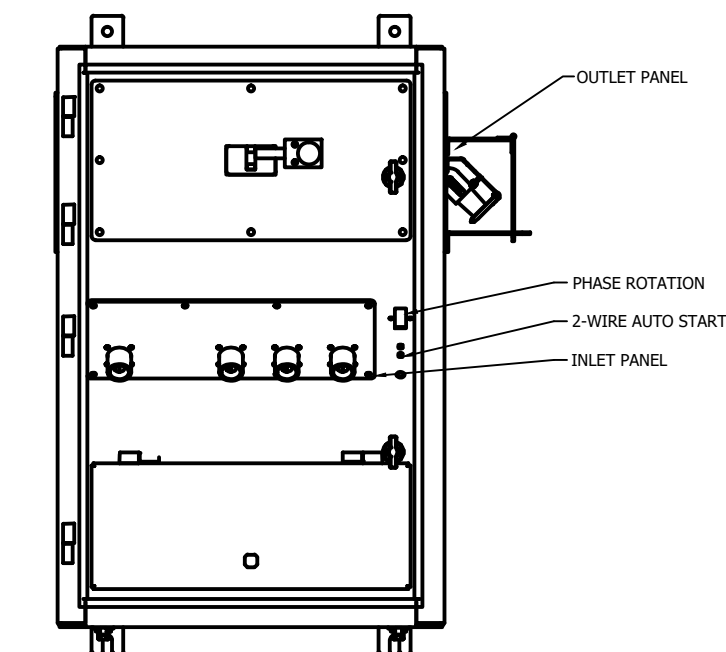
FRONT VIEW WITH DOORS



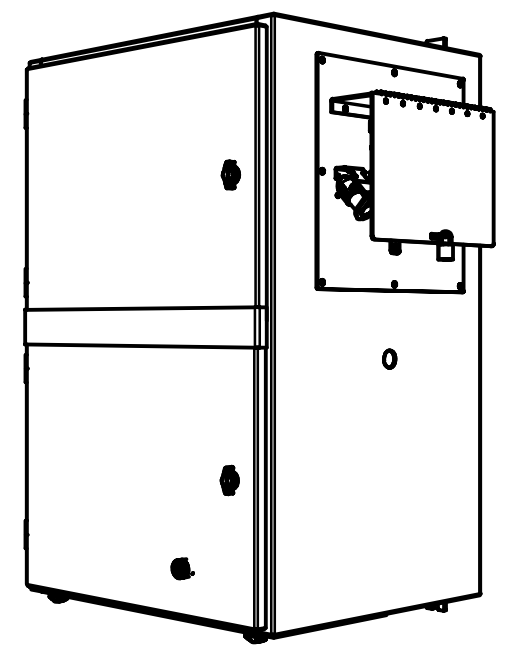
RIGHT VIEW



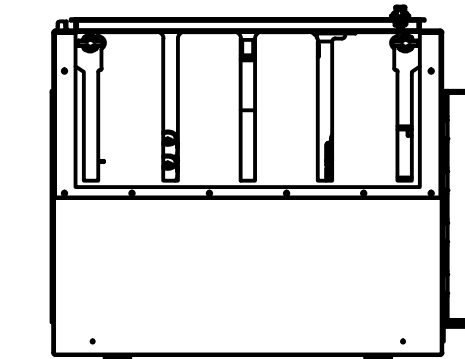
FRONT VIEW 3P+N+G WITHOUT OUTER DOORS



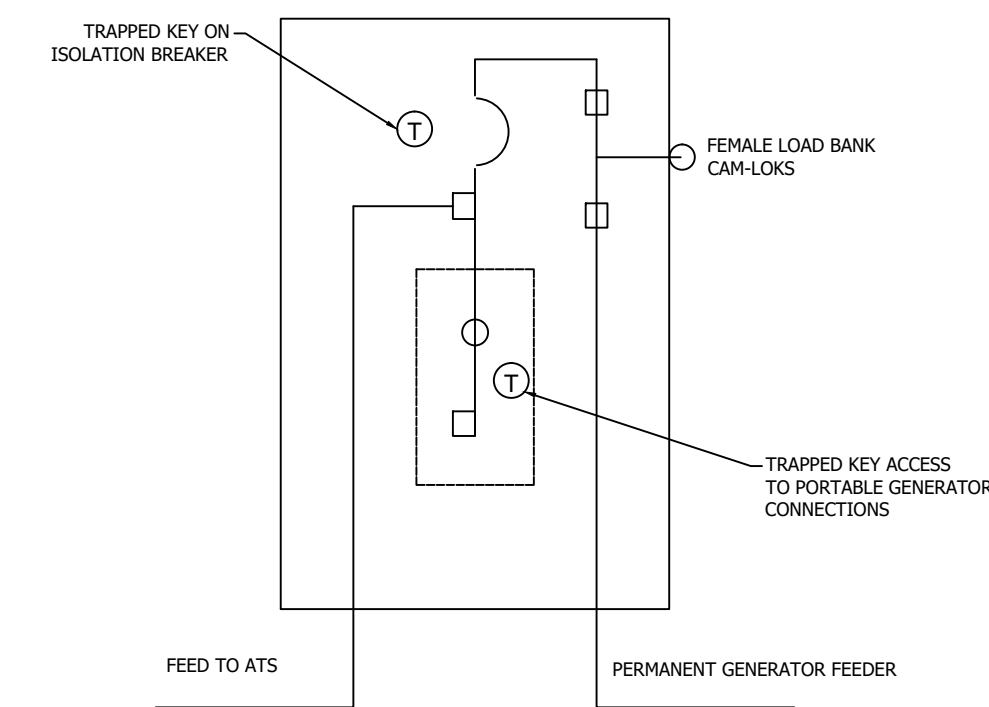
FRONT VIEW 3P+G WITHOUT OUTER DOORS



WALLMOUNT



BOTTOM VIEW WITHOUT ACCESS DOOR



ONE-LINE DIAGRAM

**NOTES:**

- BOTTOM INLET PANEL:**
  - FOR USE ONLY FOR CONNECTION OF A GENERATOR TO THE SOURCE TERMINALS OF A TRANSFER SWITCH, SUCH THAT THE INLETS ARE ENERGIZED FROM THE GENERATOR.
  - ETL LISTED TO UL1008 STANDARDS AS A TRANSFER SWITCH ACCESSORY.
  - 16 SERIES MALE CONNECTORS.
- SIDE OUTLET PANEL:**
  - FOR CONNECTION OF A LOAD BANK TO THE LOAD SOURCE FROM THE PERMANENT GENERATOR.
  - ETL LISTED TO UL891 STANDARDS AS A LOAD BANK OUTLET CABINET.
  - 16 SERIES RECESSED FEMALE CONNECTORS WITH FLIP COVERS.
  - PADLOCKABLE COVER OVER THE LOAD BANK RECEPTACLES.
  - LOAD DUMP RECEPTACLES WITH FLIP COVER.
- PANEL RATINGS:**
  - 600V MAX, 50/60 Hz, 150-800A, 3PH/3W OR 3PH/4W, LISTED UL891 STANDARD.
- WCR RATING:**
  - 25K RMS SYMMETRICAL AMPS, 240 VAC MAX.,
  - 18K RMS SYMMETRICAL AMPS, 480 VAC MAX.,
  - 14K RMS SYMMETRICAL AMPS, 600 VAC MAX.,
- ENCLOSURE:**
  - TYPE 3R CONSTRUCTION, FOR OUTDOOR USE ONLY.
  - FINISH, ANSI 61 GREY POWDER COAT.
- REMOVABLE GASKETED SIDE ACCESS PANELS FOR ADDITIONAL CONDUIT AREAS.**
- RECOMMENDED CLEARANCE:**
  - FRONT 23 INCHES.
  - RIGHT SIDE 12.25 INCHES.
  - LEFT SIDE 12 INCHES.
- REMOVABLE GROUNDING STRAP(S) ARE INCLUDED CONNECTING THE GREEN CAMLOCKS TO THE ENCLOSURE.**
- NO NEUTRAL TO GROUND BONDING PROVISIONS INCLUDED.**
- CAMLOCK CONNECTORS ARE SERIES 16 COMPATIBLE. 400A RATED.**
- CASTELL OR KIRK KEY LOCKS MUST BE INSTALLED ON GENERATOR CONNECTION DOOR AND PERMANENT GENERATOR BREAKER WHICH SERVES AS AN INTERLOCK BETWEEN PERMANENT GENERATOR AND PORTABLE GENERATOR.**

**CABLING:**

- ALL UNITS SUPPLIED WITH MECHANICAL (SCREW TYPE) LUGS. LUGS ARE UL LISTED, TIN PLATED, ALUMINUM ALLOY COMPATIBLE WITH COPPER OR ALUMINUM CABLES. (SEE TABLE BELOW)
- LUG SCREWS ARE TIN PLATED, TORQUE TO 19 FT-LBS PER UL4868.
- LUGS ARE ATTACHED TO COPPER PLATED WITH FACTORY SUPPLIED BOLTS, TORQUED TO 30 FT-LBS.
- DUAL LUGS FOR THRU-CONNECTED UNITS.

**STANDARD FEATURES:**

- CASTELL™ TRAPPED KEY INTERLOCK ACCESS TO PORTABLE GENERATOR INLETS.
- CASTELL™ LOCK AND KEY FOR PERMANENT GENERATOR BREAKER AND TOP SECTION.
- PHASE ROTATION MONITOR FOR TEMPORARY POWER CONNECTION.
- TWO WIRE AUTO START TERMINALS.
- LOAD DUMP RECEPTACLE L1-15R 125V TWIST LOCK RECEPTACLE.

**CIRCUIT BREAKER HDL36150:**

- SQUARE "D" 80% RATED TYPE "HDL", 150AF/150AT MOLDED CASE, THERMAL-MAGNETIC TRIP, SHORT CIRCUIT RATING: AIC 18,000 RMS SYM @ 480V.
- UL489.

**OPTIONAL ACCESSORIES:**

- ACC. 147QC - COLOR CODING FOR CANADIAN CAMLOK CONNECTORS
- THREE PHASE:
  - RED (PHASE A), BLK (PHASE B), BLU (PHASE C), NEUT. WHEN REQUIRED (WHT)

**INSTALLATION:**

- SURFACE TO WHICH THE PANEL IS TO BE INSTALLED AND THE INSTALLATION METHOD / HARDWARE MUST BE CAPABLE OF SUPPORTING THE WEIGHT OF THE PANEL (WEIGHTS SHOWN IN TABLE BELOW) AS WELL AS THE WEIGHT OF THE TEMPORARY CABLES TO BE ATTACHED TO IT.
- INSTALLATION IS TO BE PERFORMED BY QUALIFIED PERSONNEL IN ACCORDANCE WITH LOCAL AND NATIONAL CODES AND GOOD ENGINEERING PRACTICES.
- PANEL MUST BE LEVEL AND PLUMB TO ALLOW FOR PROPER DRAINAGE / WATER RUNOFF.

AMPS	MATERIAL	WEIGHT (lbs)		CAMLOCK QUANTITY			LUG QUANTITY			SIZE
		ALUM.	SS	PHASE	NEUTRAL	GROUND	PHASE	NEUTRAL	GROUND	
150A	3P + G	120	160	1	0	1	2	0	1	100 TO 350 MCM
	3P + N + G	1/8" 11 GA.	128	172	1	1	1	2	2	

\* PHASE, NEUTRAL & GROUND LUGS ARE SINGLE HOLE MOUNT SINGLE BARREL LUGS.

CATALOG TYPE	CONNECTIONS	CONNECTOR TYPE	GROUND	CATALOG NUMBER				BLANK	OPTIONAL ACCESSORY	ENCLOSURE CODE	EXPLANATION OF CATALOG NUMBER CODES											
				INPUT NEUTRAL TYPE	POLES	AMPS	VOLT CODE				CONNECTIONS CODE	CONNECTOR TYPE CODE	GROUND TYPE CODE	COLOR	INPUT NEUTRAL TYPE		VOLTAGE CODES		OPTIONAL ACCESSORY CODE	ENCLOSURE CODES		
															CODE	COLOR	CODE	NOMINAL VOLTAGE		COLOR CODE	CODE	TYPE
30C	D	C	A N	O A	3	150	F N R	0	0 X Z	F S	D=DUAL	C=CAMLOCK	A=100% N=25%	GREEN	0=NONE A=100% WHITE	F N R	240 480 600	BLK,RED,BLU BRN,ORG,YEL BLK,BLK,BLK	0=STANDARD X=ACCESSORY Z=SPECIAL	F S	3R 3R	SECURE ENCLOSURE OUTDOOR, RAINPROOF, SLEET & ICE RESISTANT (ALUMINUM)  SECURE ENCLOSURE OUTDOOR, RAINPROOF, SLEET & ICE RESISTANT (316 STAINLESS STEEL)

278882 MKA JPB 05/15/20

PROJECT NAME: QUICK CONNECT PANEL

150 AMPS

600V MAX, 3PH/3W OR 3PH/4W

SCALE: 12 SIZE DS

1397480

ASCO POWER TECHNOLOGIES, L.P.

FLORHAM PARK, NEW JERSEY 07932 U.S.A.

REV. 1 OF 1