

Understanding NFPA 110 Standards

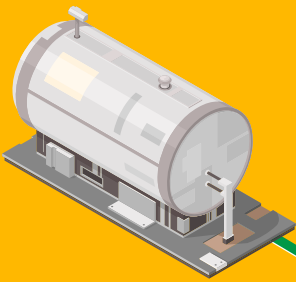
Key Requirements for Emergency Power Supply Systems

EPSS Categories

CLASS

Class is identified by the amount of time in hours that a backup power system is designed to operate without refueling or recharging.

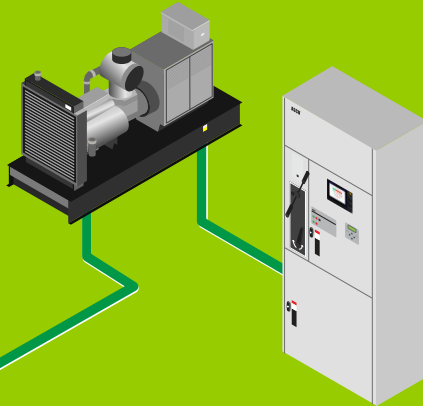
24:00:00



12:00:00

TYPE

Types define the maximum time, in seconds, that the EPSS will permit the load terminals of the transfer switch to be without acceptable electrical power.



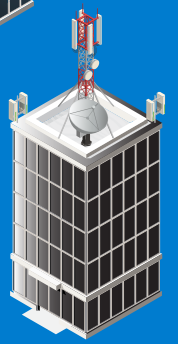
00:00:10

LEVEL

Level 1 systems are installed where a failure of backup power could result in loss of human life or serious injuries.

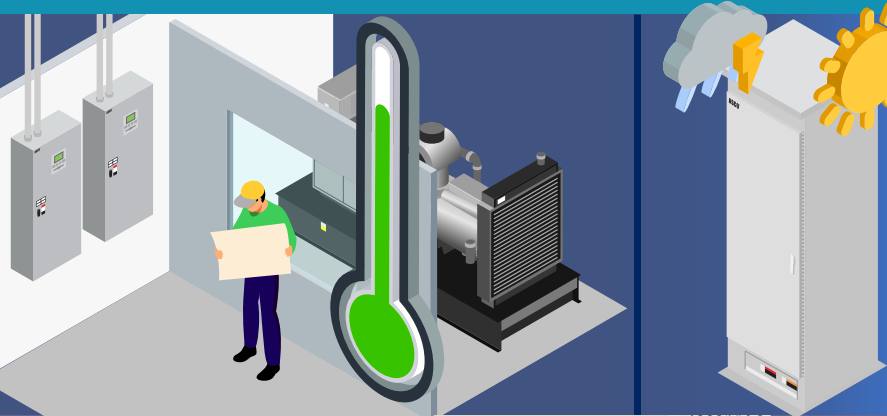
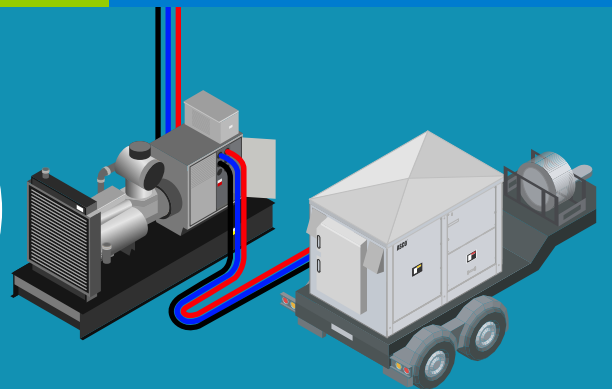


Level 2 systems serve systems and equipment that are "less critical" to human life and safety.



INSTALLATION

The backup power system must be subject to an initial 30-minute installation test using the intended loads and a two-hour acceptance test at specific load levels.

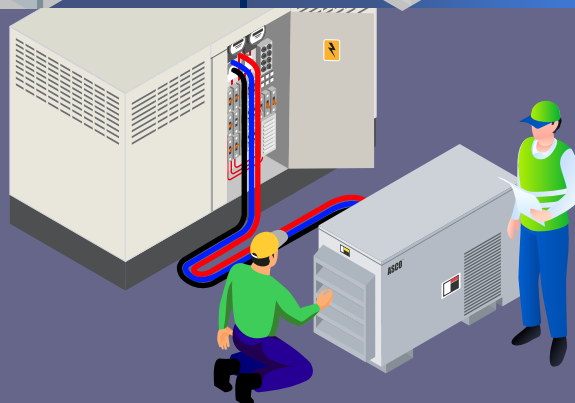


ENVIRONMENT

Backup power equipment must be installed in indoor rooms or outdoor enclosures. For Level 1 systems, temperatures cannot exceed a specified range.

PERIODIC TESTING

The system must be subject to weekly inspections and monthly and annual performance tests.



Visit ascopower.com/digitalhub for more information.
customer@ascopower.com • 800.800.2726