

NetShelter RX, 126U -DRAWING GUIDE

Sheet No.	Description
1	Drawing Guide
2	Isometric Views
3	General Arrangement-Enclosure only
4	Top & Bottom Views
5	Section View-Enclosure only
6	General Arrangement with ACU
7	Top & Bottom View with ACU
8	Section View with ACU
9	Plinth
10	Center of Gravity Reference Drawing
11	Weight and Center of Gravity details

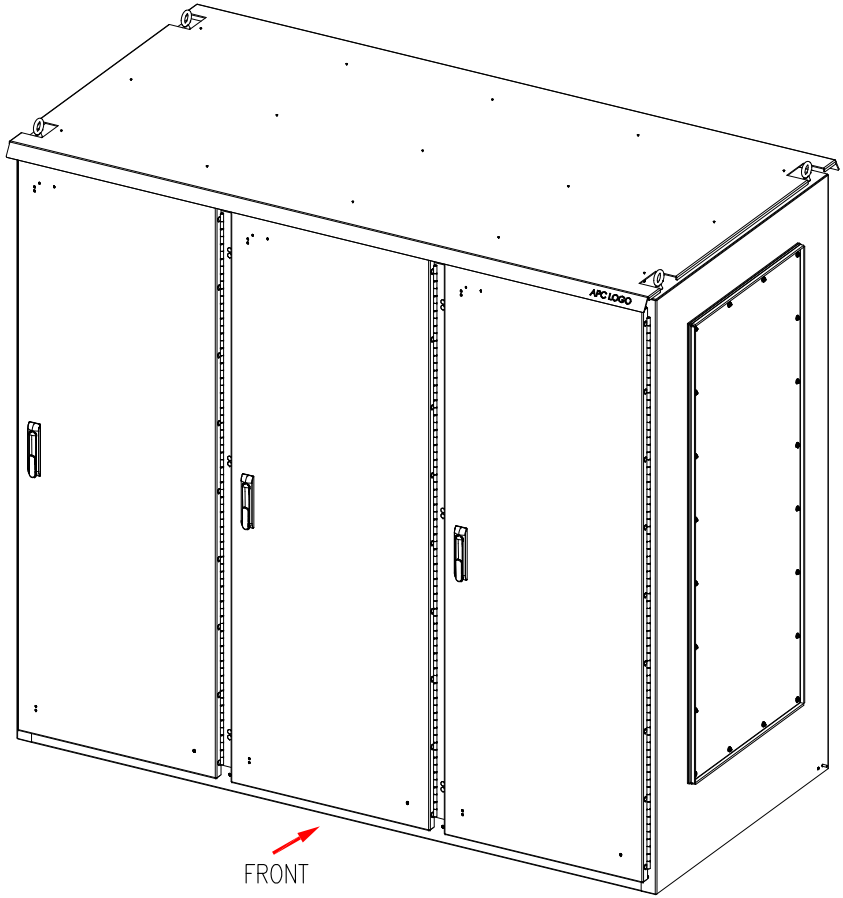
THIS DRAWING AND SPECIFICATIONS HEREIN ARE THE PROPERTY OF SCHNEIDER ELECTRIC AND SHALL NOT BE COPIED, REPRODUCED OR USED IN WHOLE OR IN PART, AS THE BASIS FOR THE MANUFACTURE OR SALE OF ITEMS WITHOUT WRITTEN PERMISSION FROM SCHNEIDER ELECTRIC. THIS DRAWING IS BASED UPON LATEST AVAILABLE INFORMATION AND IS SUBJECT TO CHANGE WITHOUT NOTICE.



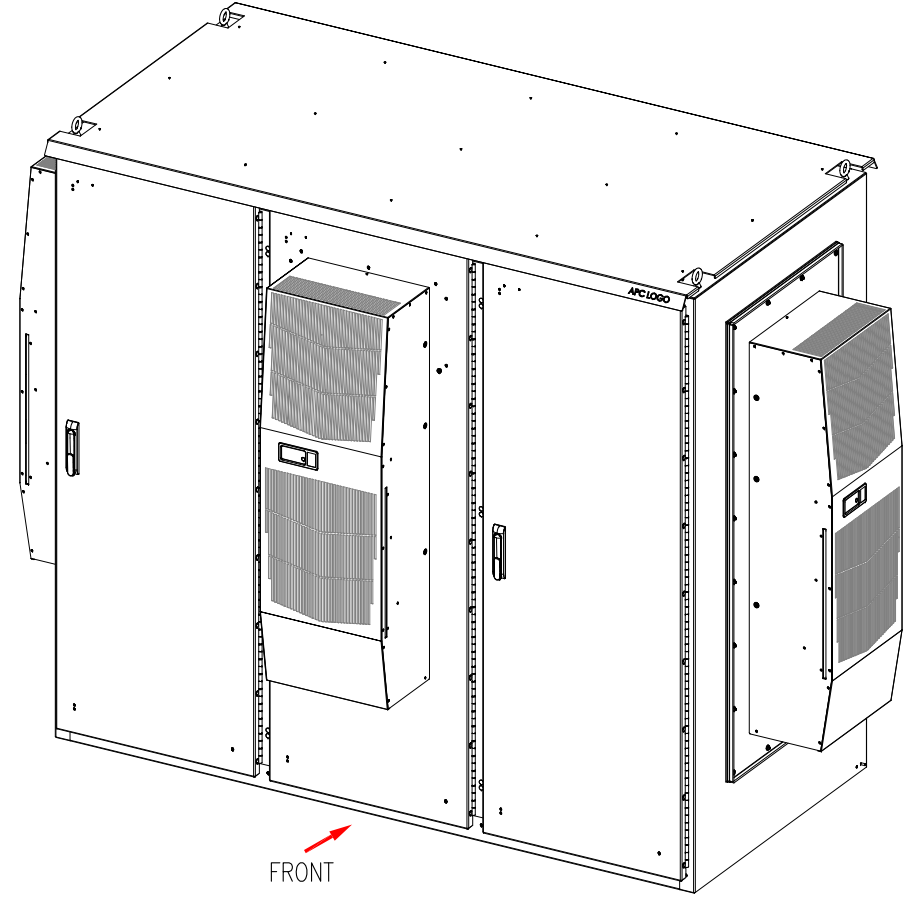
TITLE: NetShelter RX, 126U
 2007H x 2286W x 1070D mm, W/LIGHTING
 NEMA 4 INSULATED ENCLOSURE, TRIPLE BAY
 DRAWING GUIDE
 PROJECT: SUBMITTAL DRAWINGS SHEET 1 OF 11

DWG NO: AR5342-3B REV. 0
 DRAWN BY: RANJITHA 02-AUG-23 FIRST ANGLE PROJECTION
 ENGINEER: FARRUKH SYED 12-SEP-23
 APPROVED BY: KEVIN LEMKE 12-SEP-23

ISOMETRIC VIEW FOR NETSHELTER ENCLOSURE:



ISOMETRIC VIEW FOR MICRO DATA CENTER WITH PANEL MOUNT AC UNITS:



NOTES:

1. INSTALLATION SHALL COMPLY WITH ALL APPLICABLE NATIONAL, STATE AND LOCAL ELECTRICAL REGULATIONS.
2. REFER TO PRODUCT DOCUMENTATION FOR ADDITIONAL DETAILS PRIOR TO LIFTING/ MOVING/ INSTALLING.

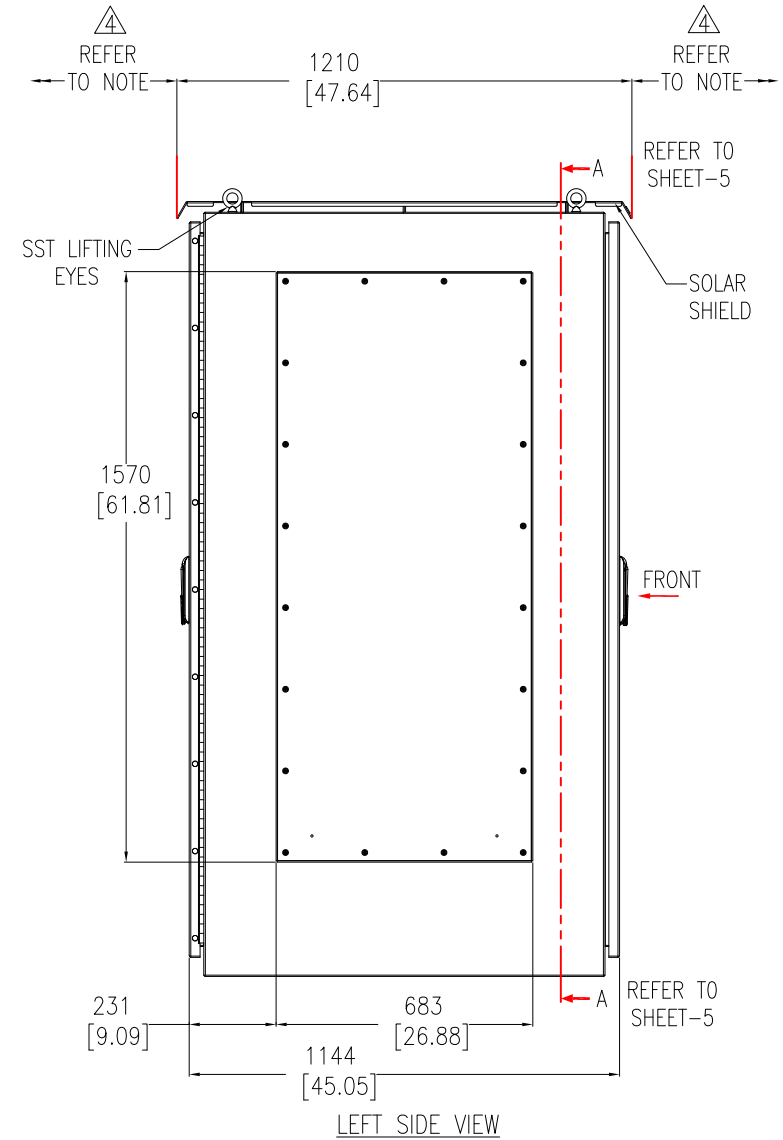
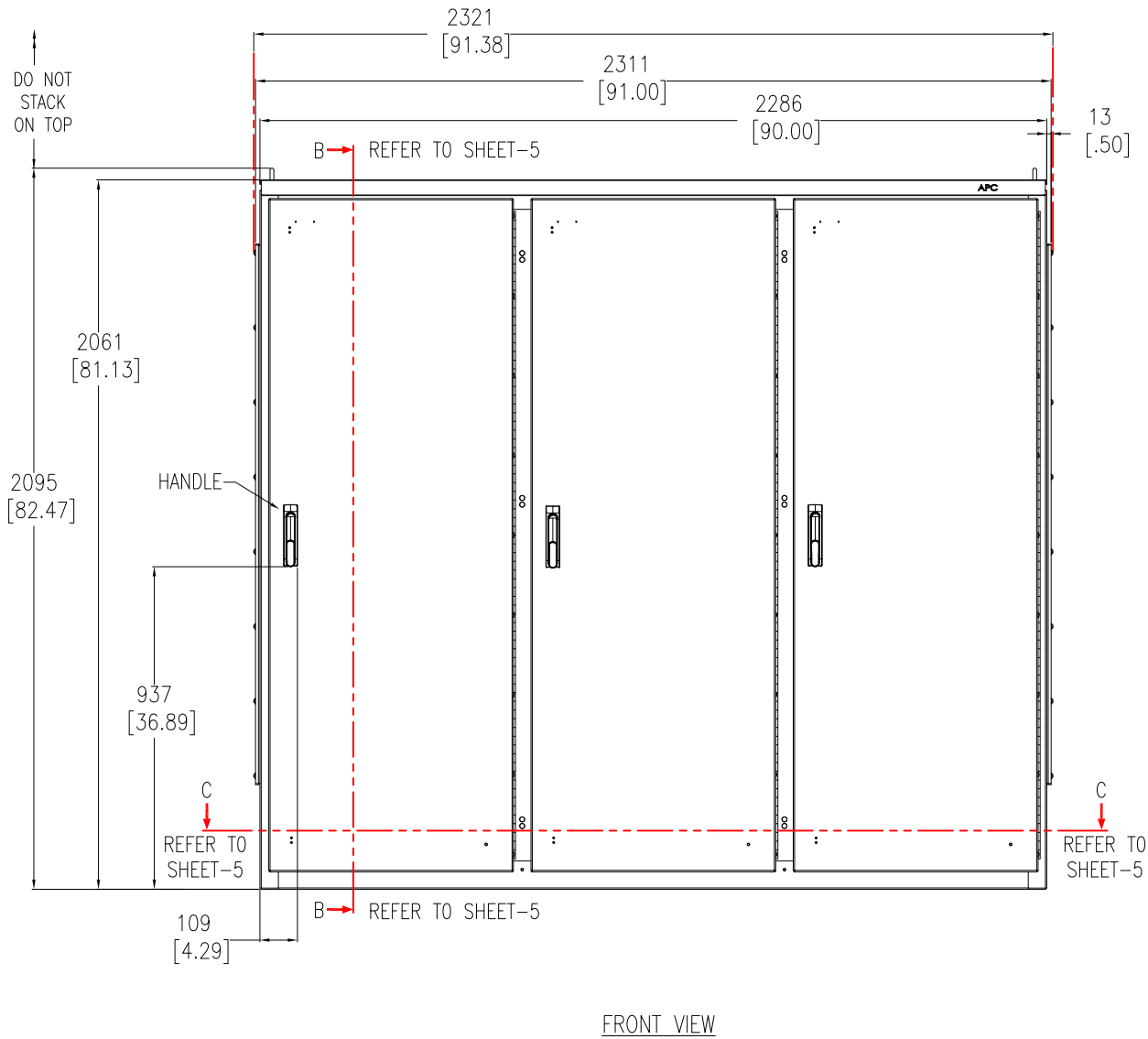
THIS DRAWING AND SPECIFICATIONS HEREIN ARE THE PROPERTY OF SCHNEIDER ELECTRIC AND SHALL NOT BE COPIED, REPRODUCED OR USED IN WHOLE OR IN PART, AS THE BASIS FOR THE MANUFACTURE OR SALE OF ITEMS WITHOUT WRITTEN PERMISSION FROM SCHNEIDER ELECTRIC. THIS DRAWING IS BASED UPON LATEST AVAILABLE INFORMATION AND IS SUBJECT TO CHANGE WITHOUT NOTICE.



TITLE: NetShelter RX, 126U
 2007H x 2286W x 1070D mm, W/LIGHTING
 NEMA 4 INSULATED ENCLOSURE, TRIPLE BAY
 ISOMETRIC VIEWS
 PROJECT: SUBMITTAL DRAWINGS SHEET 2 OF 11

DWG NO:	AR5342-3B	REV:	0
DRAWN BY:	RANJITHA	DATE:	02-AUG-23
ENGINEER:	FARRUKH SYED	DATE:	12-SEP-23
APPROVED BY:	KEVIN LEMKE	DATE:	12-SEP-23
			FIRST ANGLE PROJECTION

NETSHELTER ENCLOSURE – GENERAL ARRANGEMENT/SERVICE CLEARANCES



- NOTES:**
1. INSTALLATION SHALL COMPLY WITH ALL APPLICABLE NATIONAL, STATE AND LOCAL ELECTRICAL REGULATIONS.
 2. REFER TO PRODUCT DOCUMENTATION FOR ADDITIONAL DETAILS PRIOR TO LIFTING/MOVING/INSTALLING.
 3. ALL DIMENSIONS ARE IN MILLIMETERS [INCHES].
 4. FRONT AND REAR ACCESS REQUIRED FOR SERVICE. MINIMUM REQUIRED FRONT/REAR CLEARANCE IS 1220mm [48 IN]. NO SIDE CLEARANCE REQUIRED.
 5. MANUFACTURED TO NEMA 4X SPECIFICATIONS, UL LABELED.
 6. RATED STATIC LOAD CAPACITY PER BAY IS 907.18 kg [2000 lbs].
 7. FOR MDC PANEL MOUNTED AC, REFER TO SHEET 6, 7 AND 8.
 8. DOUBLE FLANGED DOOR OPENING.
 9. CABLE ENTRY AND EXIT: BOTTOM.
 10. REFER TO SHEET 5 FOR SECTIONAL VIEWS.

THIS DRAWING AND SPECIFICATIONS HEREIN ARE THE PROPERTY OF SCHNEIDER ELECTRIC AND SHALL NOT BE COPIED, REPRODUCED OR USED IN WHOLE OR IN PART, AS THE BASIS FOR THE MANUFACTURE OR SALE OF ITEMS WITHOUT WRITTEN PERMISSION FROM SCHNEIDER ELECTRIC. THIS DRAWING IS BASED UPON LATEST AVAILABLE INFORMATION AND IS SUBJECT TO CHANGE WITHOUT NOTICE.

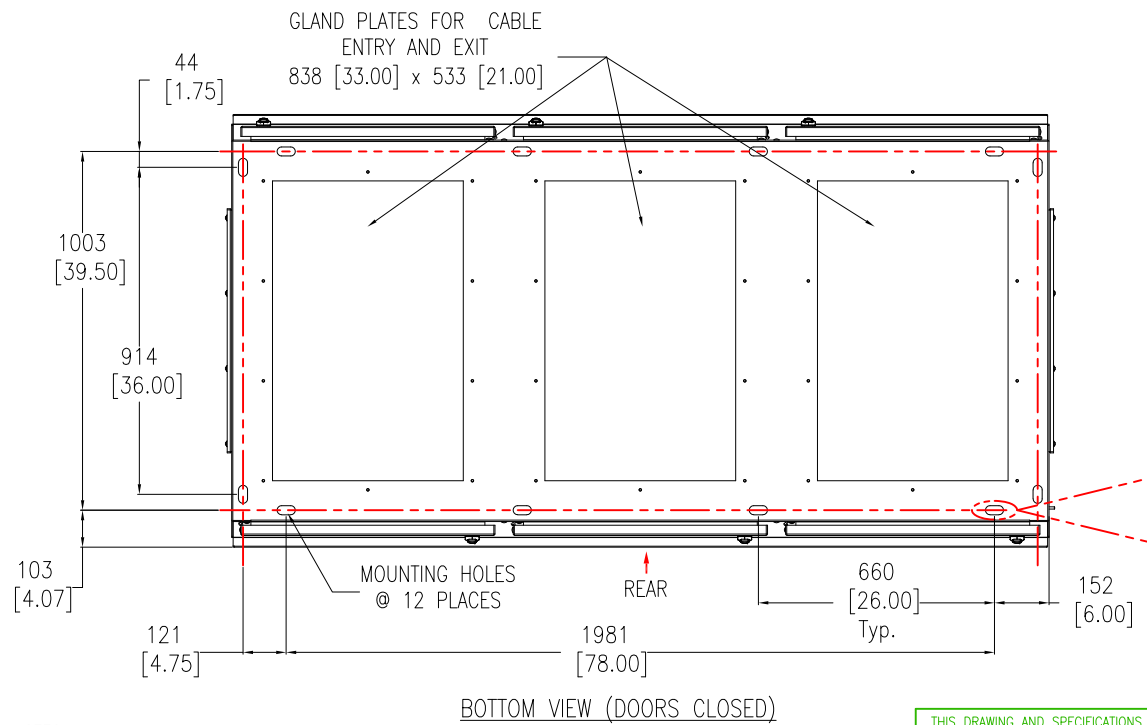
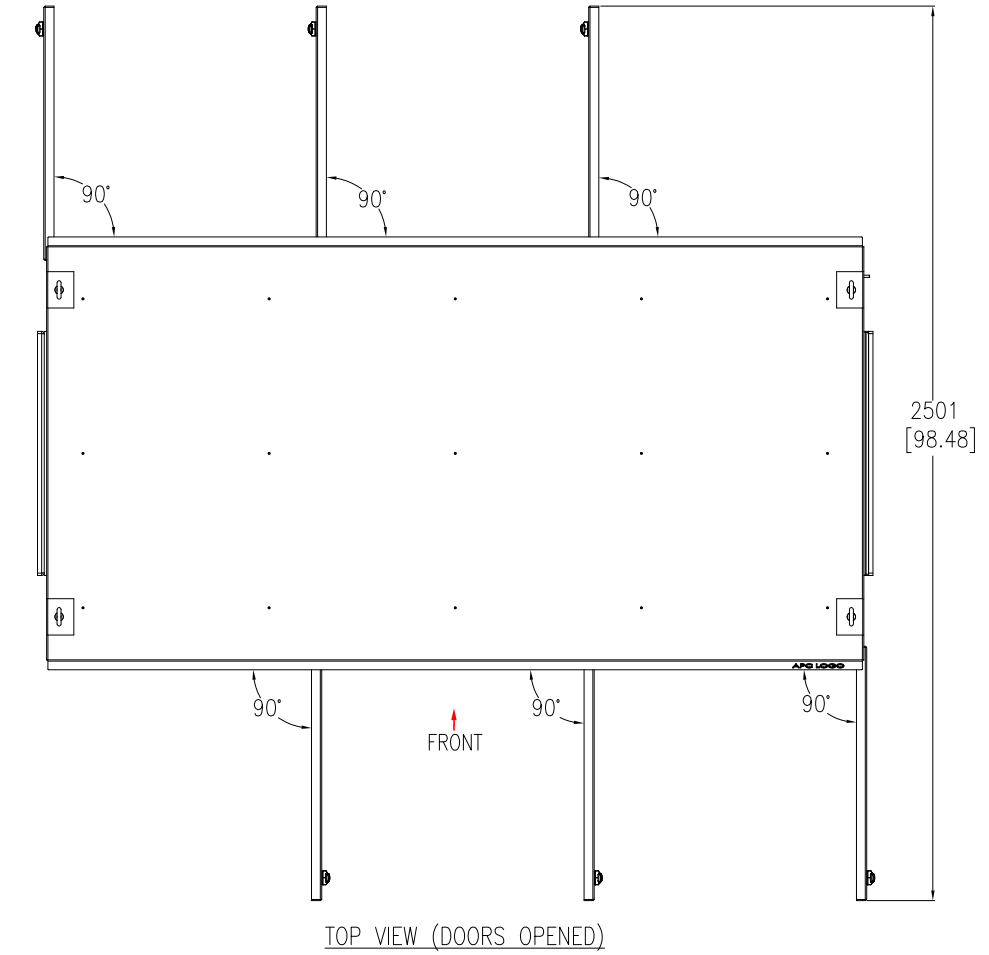
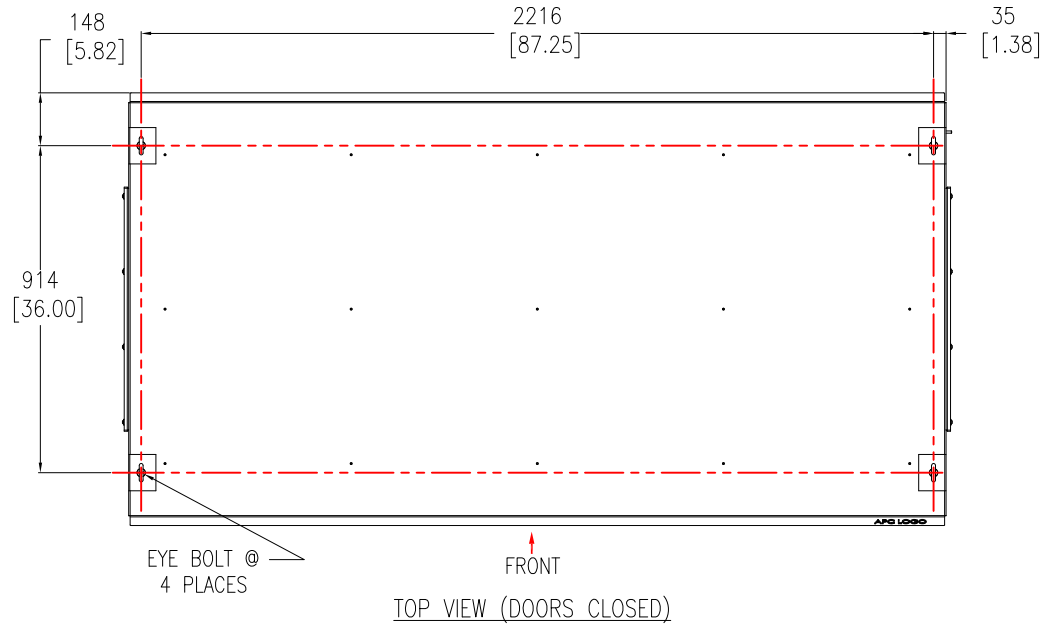
Schneider Electric

TITLE: NetShelter RX, 126U
2007H x 2286W x 1070D mm, W/LIGHTING
NEMA 4 INSULATED ENCLOSURE, TRIPLE BAY
GENERAL ARRANGEMENT
PROJECT: SUBMITTAL DRAWINGS SHEET 3 OF 11

DWG NO: AR5342-3B
DRAWN BY: RANJITHA 02-AUG-23
ENGINEER: FARRUKH SYED 12-SEP-23
APPROVED BY: KEVIN LEMKE 12-SEP-23

REV: 0
FIRST ANGLE PROJECTION

NETSHELTER ENCLOSURE – TOP AND BOTTOM VIEW DETAILS



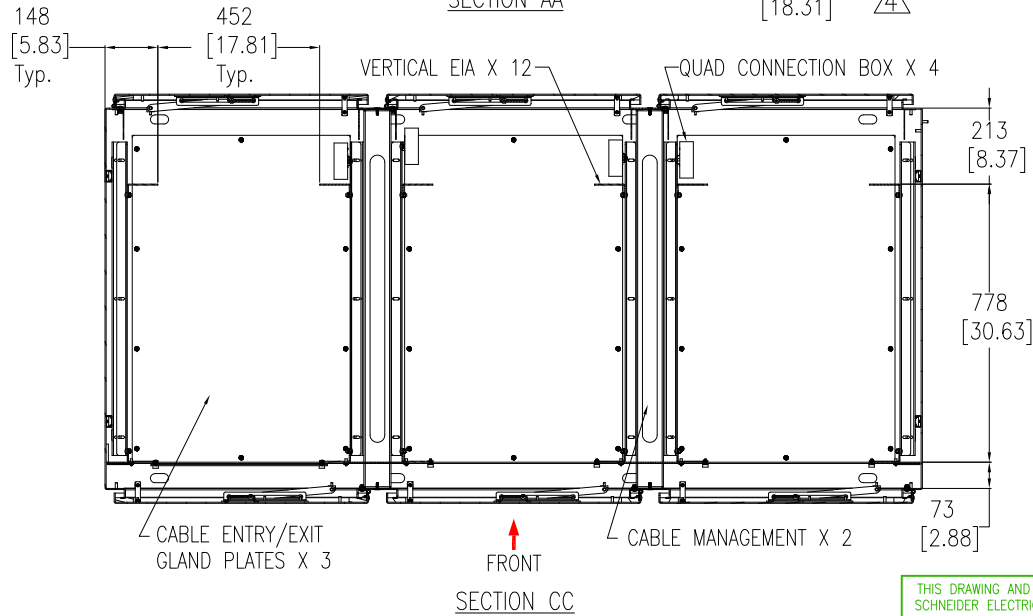
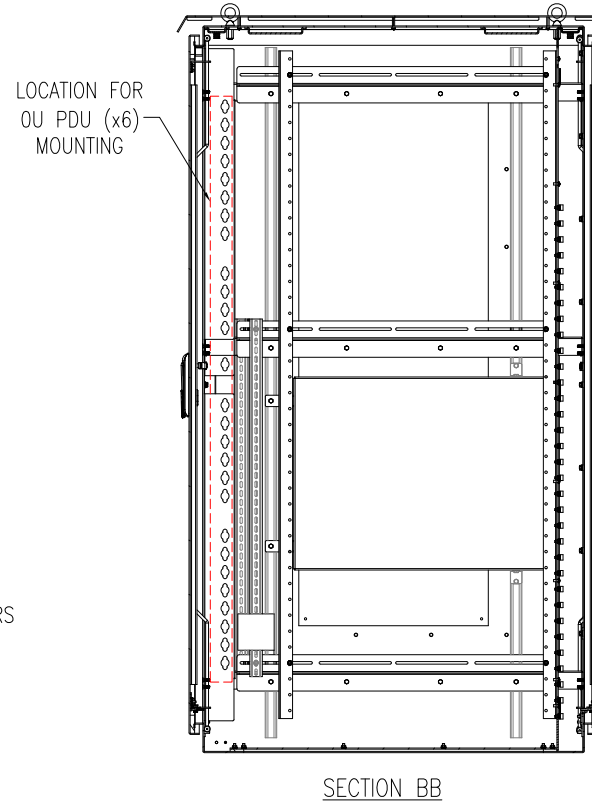
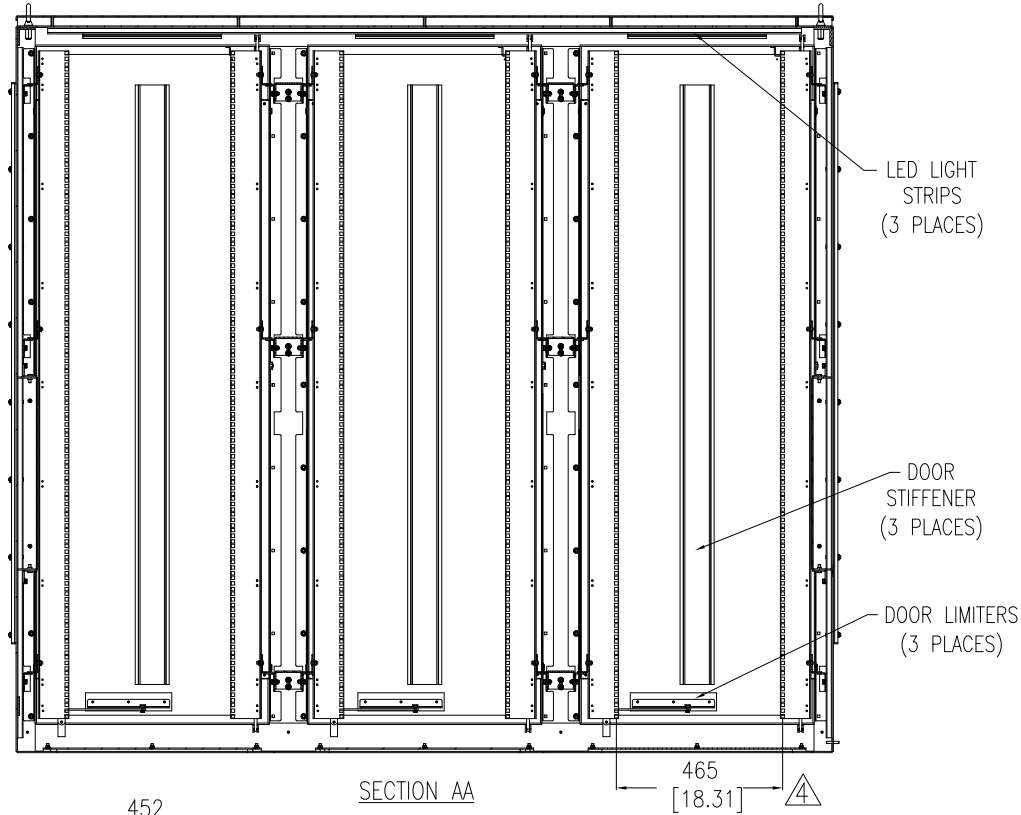
- NOTES:**
1. INSTALLATION SHALL COMPLY WITH ALL APPLICABLE NATIONAL, STATE AND LOCAL ELECTRICAL REGULATIONS.
 2. REFER TO PRODUCT DOCUMENTATION FOR ADDITIONAL DETAILS PRIOR TO LIFTING/MOVING/INSTALLING.
 3. ALL DIMENSIONS ARE IN MILLIMETERS [INCHES].

THIS DRAWING AND SPECIFICATIONS HEREIN ARE THE PROPERTY OF SCHNEIDER ELECTRIC AND SHALL NOT BE COPIED, REPRODUCED OR USED IN WHOLE OR IN PART, AS THE BASIS FOR THE MANUFACTURE OR SALE OF ITEMS WITHOUT WRITTEN PERMISSION FROM SCHNEIDER ELECTRIC. THIS DRAWING IS BASED UPON LATEST AVAILABLE INFORMATION AND IS SUBJECT TO CHANGE WITHOUT NOTICE.



TITLE:	NetShelter RX, 126U 2007H x 2286W x 1070D mm, W/LIGHTING NEMA 4 INSULATED ENCLOSURE, TRIPLE BAY TOP & BOTTOM VIEW	DWG NO:	AR5342-3B	REV.	0
PROJECT:	SUBMITTAL DRAWINGS SHEET 4 OF 11	DRAWN BY:	RANJITHA	02-AUG-23	FIRST ANGLE PROJECTION
		ENGINEER:	FARRUKH SYED	12-SEP-23	
		APPROVED BY:	KEVIN LEMKE	12-SEP-23	

NETSHELTER ENCLOSURE – GENERAL ARRANGEMENT – SECTION VIEW



NOTES:

1. INSTALLATION SHALL COMPLY WITH ALL APPLICABLE NATIONAL, STATE AND LOCAL ELECTRICAL REGULATIONS.
 2. REFER TO PRODUCT DOCUMENTATION FOR ADDITIONAL DETAILS PRIOR TO LIFTING/MOVING/INSTALLING.
 3. ALL DIMENSIONS ARE IN MILLIMETERS [INCHES].
- ▲ UNIT WILL BE SHIPPED WITH STANDARD EIA RAIL SETTING AT 19 Inch, WITH RECTANGULAR CAGE NUT SLOTS. THE EIA RAILS CAN BE FLIPPED 90° TO GET 23 Inch RAIL SETTING WITH ROUND MOUNTING HOLES.

THIS DRAWING AND SPECIFICATIONS HEREIN ARE THE PROPERTY OF SCHNEIDER ELECTRIC AND SHALL NOT BE COPIED, REPRODUCED OR USED IN WHOLE OR IN PART, AS THE BASIS FOR THE MANUFACTURE OR SALE OF ITEMS WITHOUT WRITTEN PERMISSION FROM SCHNEIDER ELECTRIC. THIS DRAWING IS BASED UPON LATEST AVAILABLE INFORMATION AND IS SUBJECT TO CHANGE WITHOUT NOTICE.



TITLE: NetShelter RX, 126U
2007H x 2286W x 1070D mm, W/LIGHTING
NEMA 4 INSULATED ENCLOSURE, TRIPLE BAY
SECTIONAL VIEWS

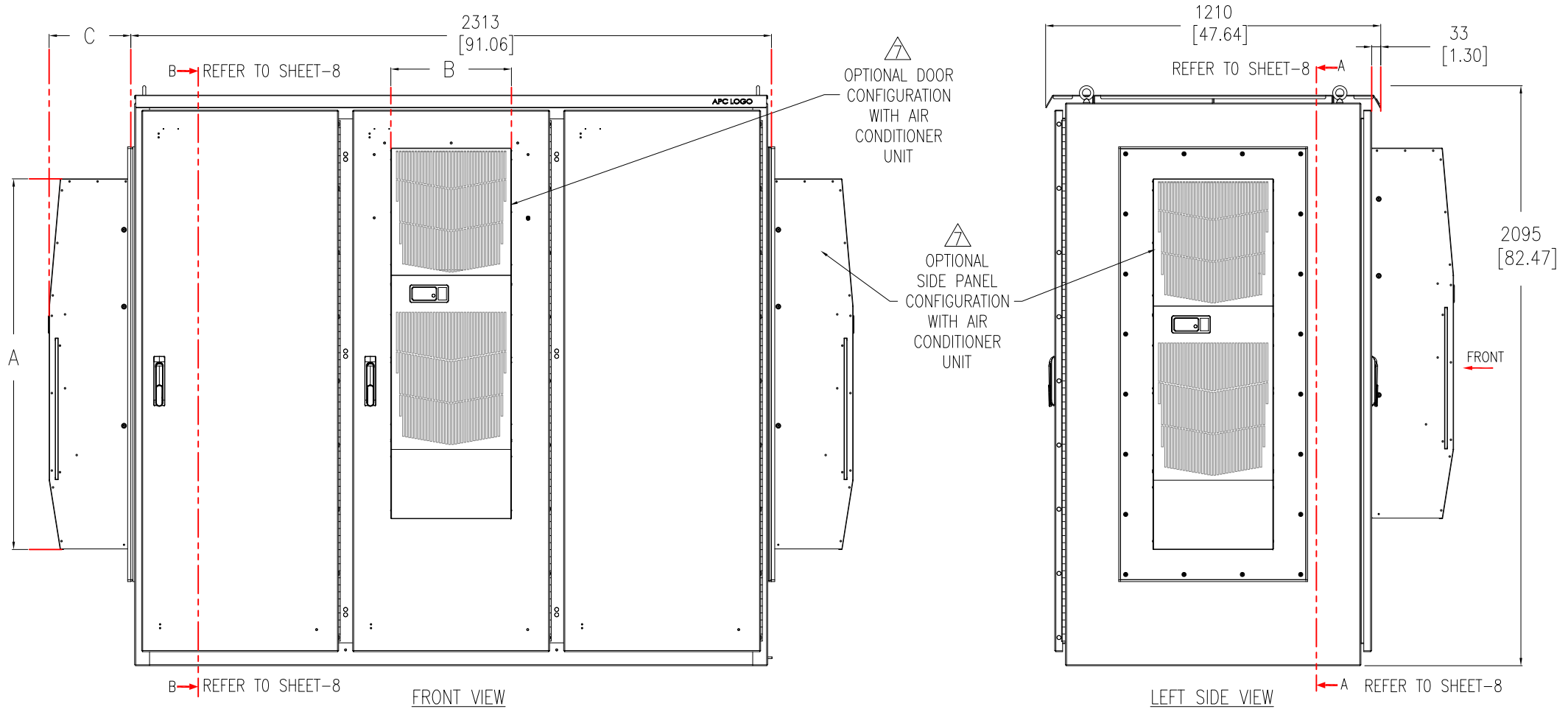
DWG NO: AR5342-3B

DRAWN BY: RANJITHA	02-AUG-23
ENGINEER: FARRUKH SYED	12-SEP-23
APPROVED BY: KEVIN LEMKE	12-SEP-23

REV: 0

FIRST ANGLE PROJECTION

MICRO DATA CENTER WITH PANEL MOUNTED AC – GENERAL ARRANGEMENT/SERVICE CLEARANCES



DIMENSIONAL DETAILS mm [Inches] WITH OPTIONAL ACU (AIR CONDITIONER UNIT)						
ENCLOSURE SKU	ACU SKU	CAPACITY	ACU WEIGHT kg (lb)	A	B	C
AR5342-3B	ACSC5231, ACSC5231-C, ACSC5232, ACSC5232-C	8K BTU/HR (2.3KW) 115V AND 230V	62.6 (138)	1339 [52.7]	435 [17.14]	296 [11.65]
	ACSC5351, ACSC5351-C, ACSC5352, ACSC5352-C, ACSC5354DC, ACSC5354DC-C	12K BTU/HR (3.5KW) 115V AND 230V	64.0 (141)			
	ACSC5592, ACSC5592-C	20K BTU/HR (5.9KW) 230V	89 (197)	1465 [57.7]	531 [20.89]	390 [15.35]

- NOTES:**
1. INSTALLATION SHALL COMPLY WITH ALL APPLICABLE NATIONAL, STATE AND LOCAL ELECTRICAL REGULATIONS.
 2. REFER TO PRODUCT DOCUMENTATION FOR ADDITIONAL DETAILS PRIOR TO LIFTING/MOVING/INSTALLING.
 3. ALL DIMENSIONS ARE IN MILLIMETERS [INCHES].
 4. PERIMETER ACCESS REQUIRED FOR SERVICE. MINIMUM REQUIRED CLEARANCE IS 1220mm [48 IN].
 5. MANUFACTURED TO NEMA 4X SPECIFICATIONS, UL LABELED.
 6. REFER TO SHEET 7 FOR SECTIONAL VIEWS.
- △ 8K BTU/12K BTU AIR CONDITIONER UNITS SHOWN FOR ILLUSTRATION PURPOSE.

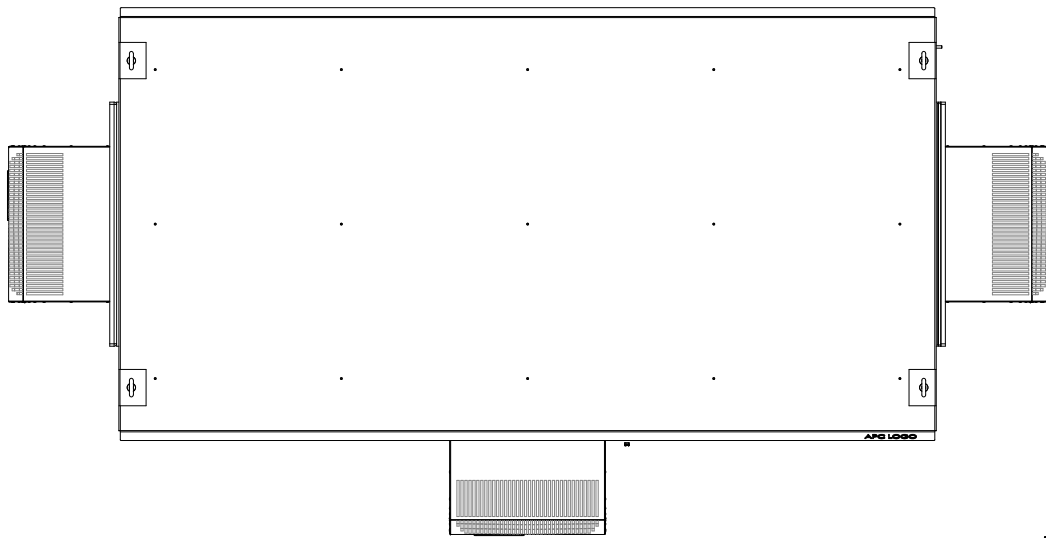
THIS DRAWING AND SPECIFICATIONS HEREIN ARE THE PROPERTY OF SCHNEIDER ELECTRIC AND SHALL NOT BE COPIED, REPRODUCED OR USED IN WHOLE OR IN PART, AS THE BASIS FOR THE MANUFACTURE OR SALE OF ITEMS WITHOUT WRITTEN PERMISSION FROM SCHNEIDER ELECTRIC. THIS DRAWING IS BASED UPON LATEST AVAILABLE INFORMATION AND IS SUBJECT TO CHANGE WITHOUT NOTICE.



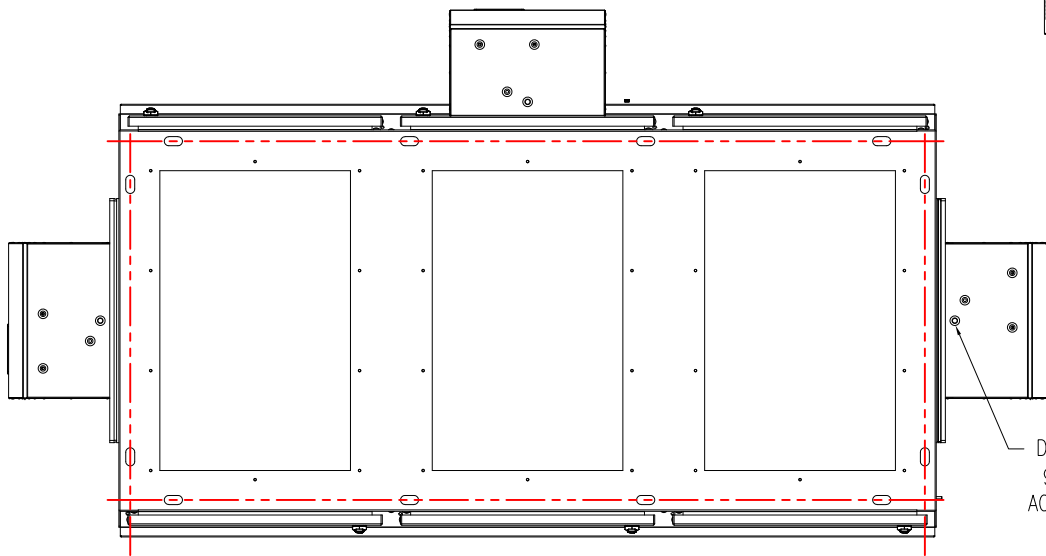
TITLE: NetShelter RX, 126U
2007H x 2286W x 1070D mm, W/LIGHTING NEMA 4 INSULATED ENCLOSURE, TRIPLE BAY GENERAL ARRANGEMENT WITH AIR CONDITIONERS
PROJECT: SUBMITTAL DRAWINGS **SHEET** 6 OF 11

DWG NO: AR5342-3B **REV:** 0
DRAWN BY: RANJITHA **02-AUG-23** **FIRST ANGLE PROJECTION**
ENGINEER: FARRUKH SYED **12-SEP-23**
APPROVED BY: KEVIN LEMKE **12-SEP-23**

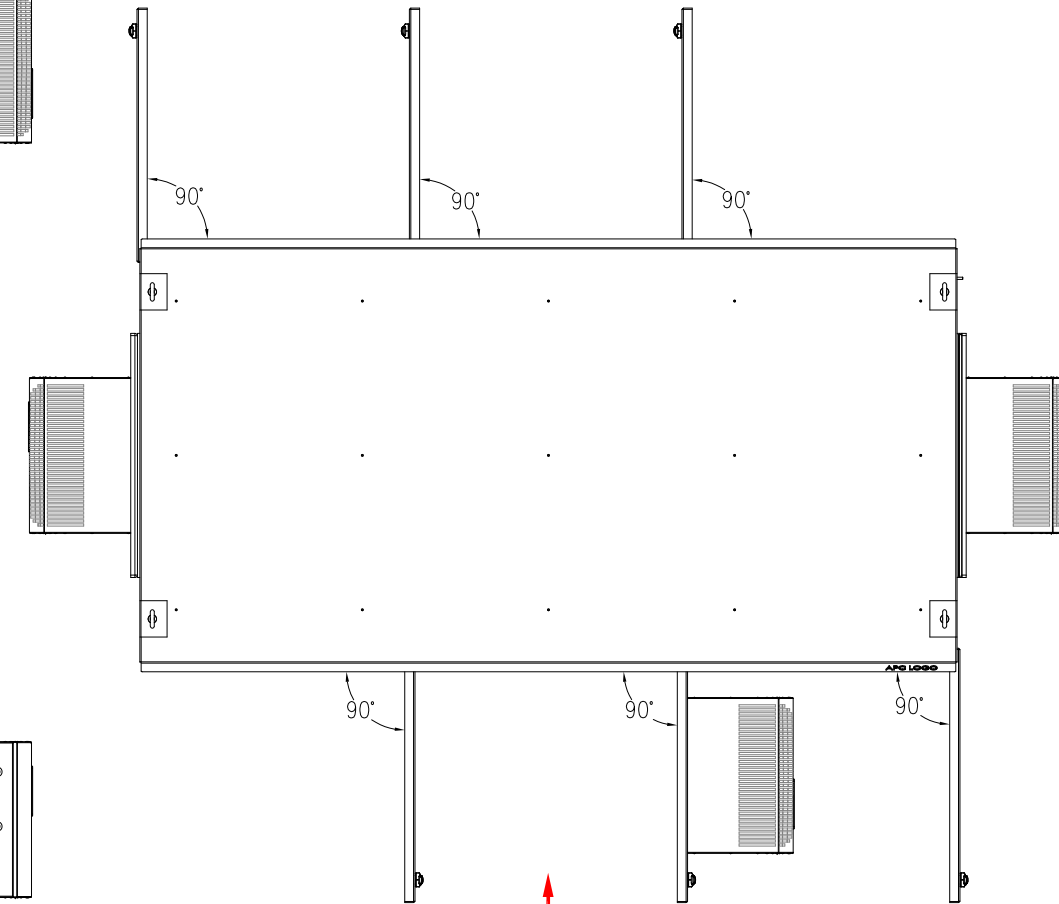
MICRO DATA CENTER WITH PANEL MOUNTED AC – GENERAL ARRANGEMENT / SERVICE CLEARANCES



TOP VIEW



BOTTOM VIEW



FRONT

TOP VIEW (DOORS OPENED)

NOTES:

1. INSTALLATION SHALL COMPLY WITH ALL APPLICABLE NATIONAL, STATE AND LOCAL ELECTRICAL REGULATIONS.
2. REFER TO PRODUCT DOCUMENTATION FOR ADDITIONAL DETAILS PRIOR TO LIFTING/MOVING/INSTALLING.
3. ALL DIMENSIONS ARE IN MILLIMETERS [INCHES].
4. PERIMETER ACCESS REQUIRED FOR SERVICE. MINIMUM REQUIRED CLEARANCE IS 1220mm [48 IN].

THIS DRAWING AND SPECIFICATIONS HEREIN ARE THE PROPERTY OF SCHNEIDER ELECTRIC AND SHALL NOT BE COPIED, REPRODUCED OR USED IN WHOLE OR IN PART, AS THE BASIS FOR THE MANUFACTURE OR SALE OF ITEMS WITHOUT WRITTEN PERMISSION FROM SCHNEIDER ELECTRIC. THIS DRAWING IS BASED UPON LATEST AVAILABLE INFORMATION AND IS SUBJECT TO CHANGE WITHOUT NOTICE.

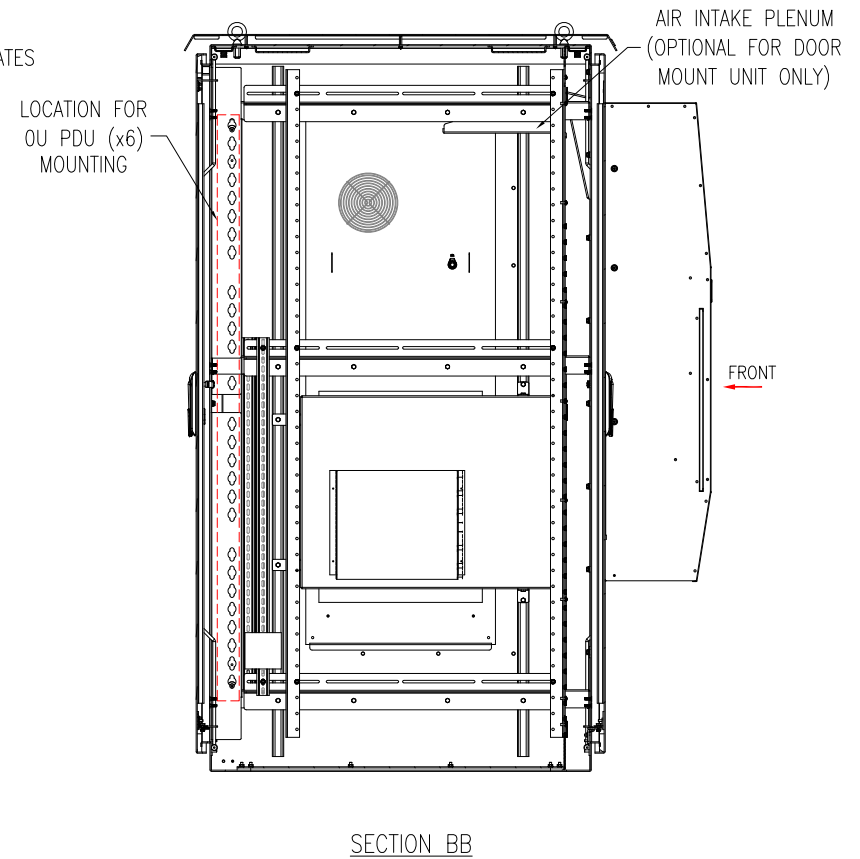
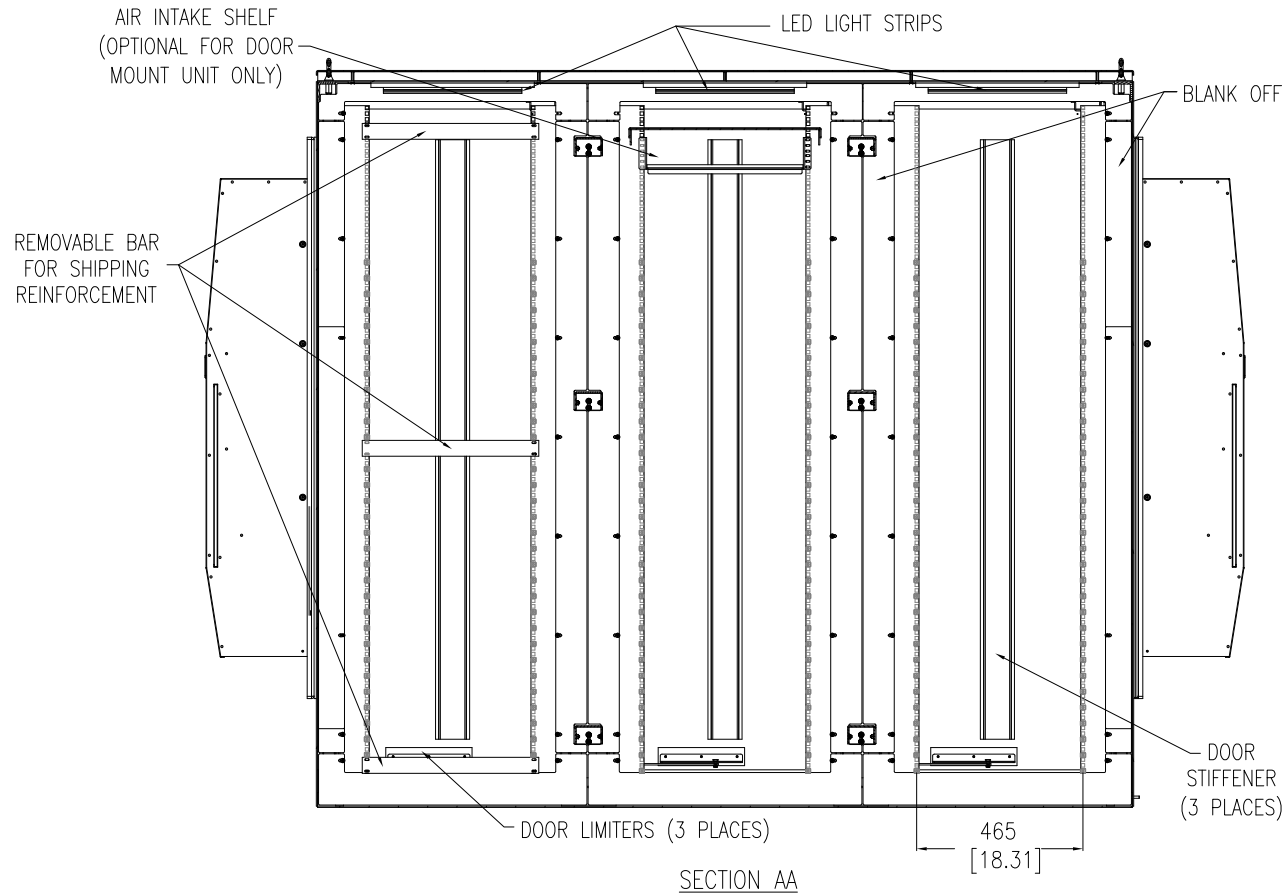


TITLE: NetShelter RX, 126U
2007H x 2286W x 1070D mm, W/LIGHTING
NEMA 4 INSULATED ENCLOSURE, TRIPLE BAY
TOP & BOTTOM VIEW WITH AIR CONDITIONERS
PROJECT: SUBMITTAL DRAWINGS SHEET 7 OF 11

DWG NO: AR5342-3B
DRAWN BY: RANJITHA 02-AUG-23
ENGINEER: FARRUKH SYED 12-SEP-23
APPROVED BY: KEVIN LEMKE 12-SEP-23

REV: 0
FIRST ANGLE PROJECTION

MICRO DATA CENTER WITH PANEL MOUNTED AC – GENERAL ARRANGEMENT – SECTION VIEW



NOTES:

1. INSTALLATION SHALL COMPLY WITH ALL APPLICABLE NATIONAL, STATE AND LOCAL ELECTRICAL REGULATIONS.
2. REFER TO PRODUCT DOCUMENTATION FOR ADDITIONAL DETAILS PRIOR TO LIFTING/MOVING/INSTALLING.
3. ALL DIMENSIONS ARE IN MILLIMETERS [INCHES].

THIS DRAWING AND SPECIFICATIONS HEREIN ARE THE PROPERTY OF SCHNEIDER ELECTRIC AND SHALL NOT BE COPIED, REPRODUCED OR USED IN WHOLE OR IN PART, AS THE BASIS FOR THE MANUFACTURE OR SALE OF ITEMS WITHOUT WRITTEN PERMISSION FROM SCHNEIDER ELECTRIC. THIS DRAWING IS BASED UPON LATEST AVAILABLE INFORMATION AND IS SUBJECT TO CHANGE WITHOUT NOTICE.

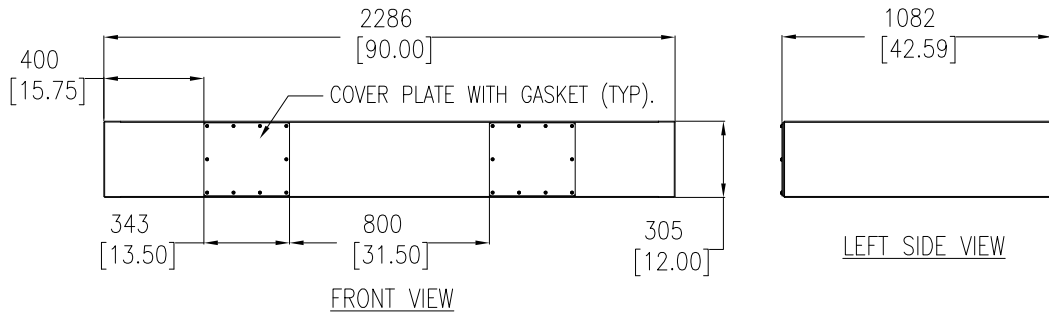


TITLE: NetShelter RX, 126U
 2007H x 2286W x 1070D mm, W/LIGHTING
 NEMA 4 INSULATED ENCLOSURE, TRIPLE BAY
 SECTIONAL VIEWS WITH AIR CONDITIONERS
 PROJECT: SUBMITTAL DRAWINGS SHEET 8 OF 11

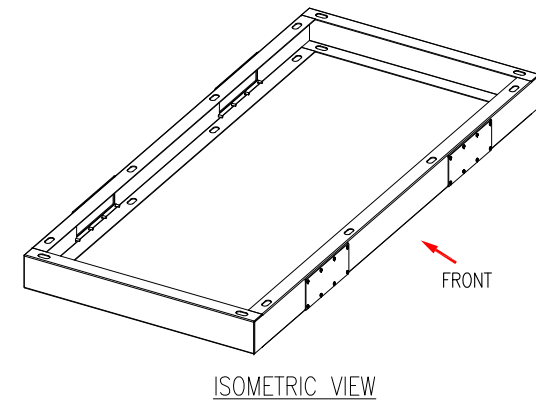
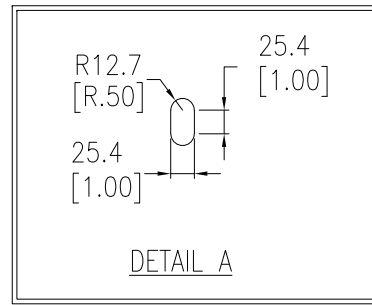
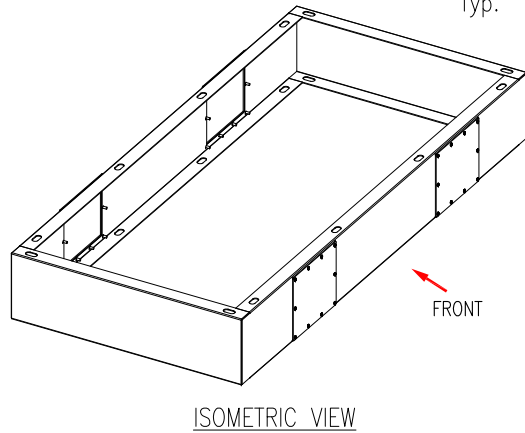
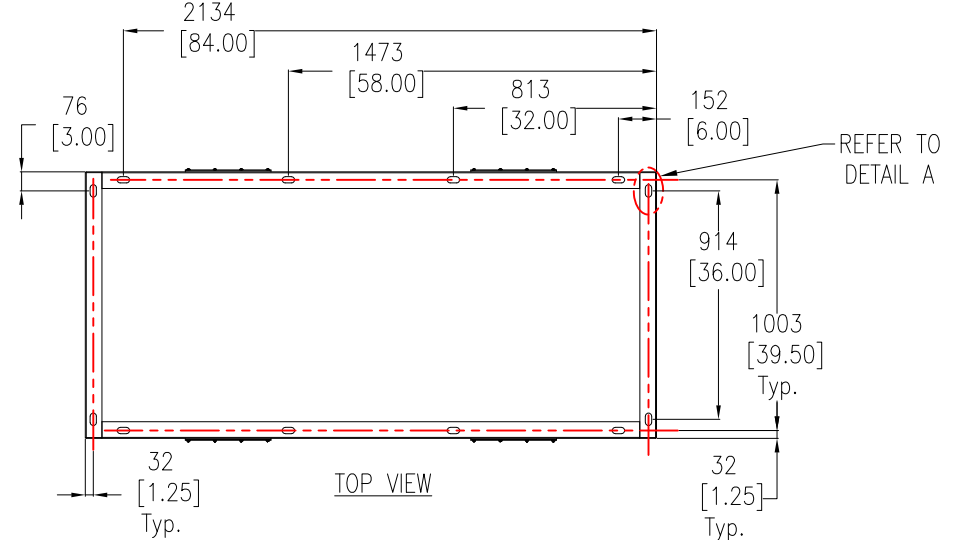
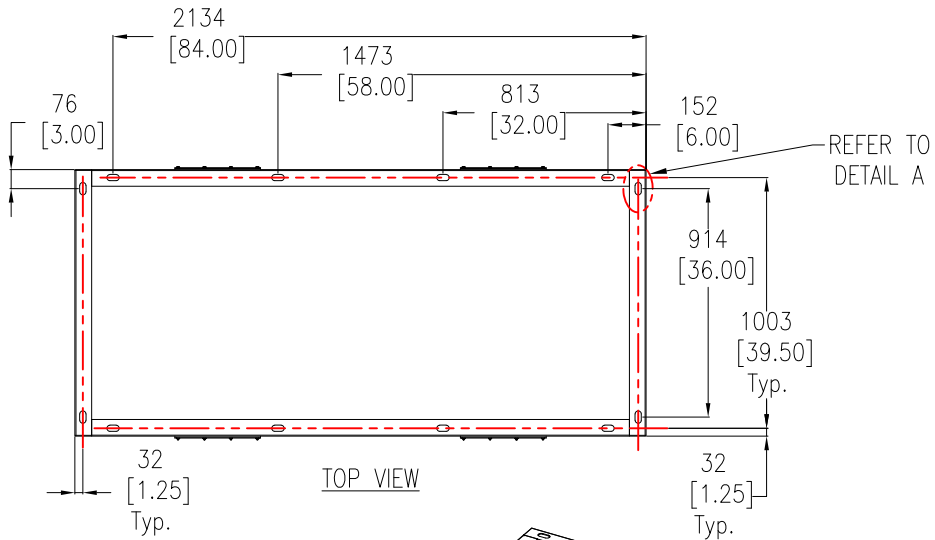
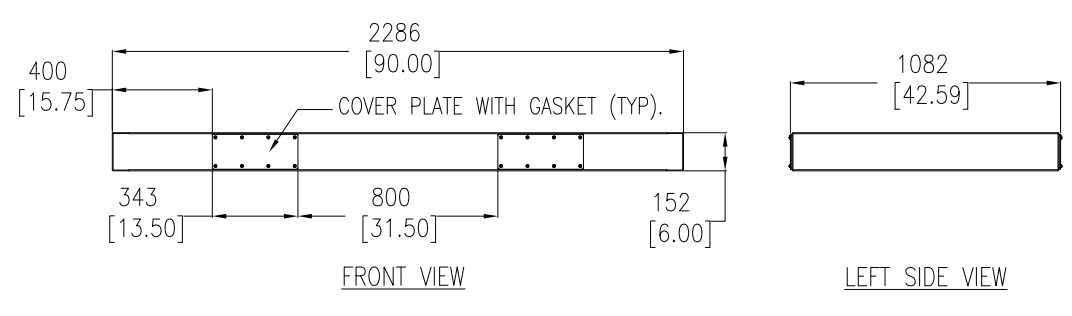
DWG NO:	AR5342-3B	REV:	0
DRAWN BY:	RANJITHA	DATE:	02-AUG-23
ENGINEER:	FARRUKH SYED	DATE:	12-SEP-23
APPROVED BY:	KEVIN LEMKE	DATE:	12-SEP-23

FIRST ANGLE PROJECTION

PLINTH DETAILS: 12 Inch



PLINTH DETAILS: 6 Inch



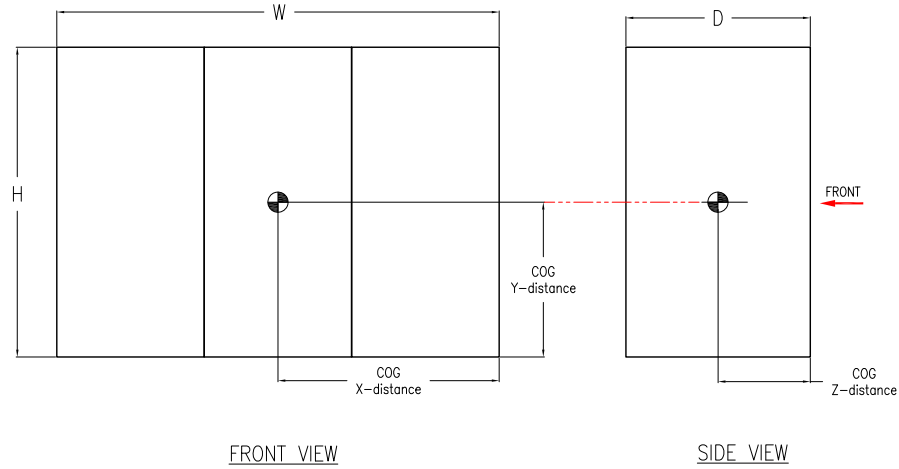
- NOTES:
1. INSTALLATION SHALL COMPLY WITH ALL APPLICABLE NATIONAL, STATE AND LOCAL ELECTRICAL REGULATIONS.
 2. REFER TO PRODUCT DOCUMENTATION FOR ADDITIONAL DETAILS PRIOR TO LIFTING/MOVING/INSTALLING.
 3. ALL DIMENSIONS ARE IN MILLIMETERS [INCHES].
 4. WEIGHT OF 6" PLINTH IS 16.5 kg [36.5 lb] AND OF 12" PLINTH IS 25.6 kg [56.6 lb].

THIS DRAWING AND SPECIFICATIONS HEREIN ARE THE PROPERTY OF SCHNEIDER ELECTRIC AND SHALL NOT BE COPIED, REPRODUCED OR USED IN WHOLE OR IN PART, AS THE BASIS FOR THE MANUFACTURE OR SALE OF ITEMS WITHOUT WRITTEN PERMISSION FROM SCHNEIDER ELECTRIC. THIS DRAWING IS BASED UPON LATEST AVAILABLE INFORMATION AND IS SUBJECT TO CHANGE WITHOUT NOTICE.

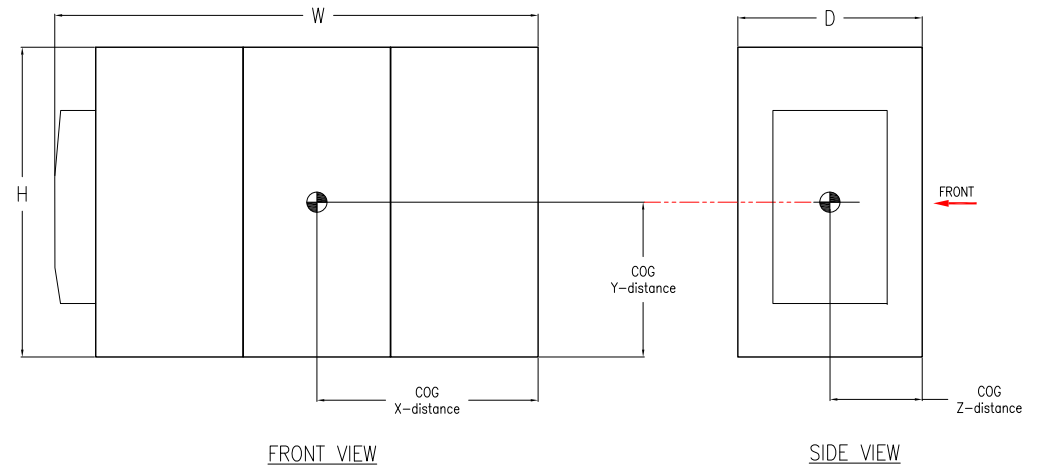


TITLE:	NetShelter RX, 126U 2007H x 2286W x 1070D mm, W/LIGHTING NEMA 4 INSULATED ENCLOSURE, TRIPLE BAY GENERAL ARRANGEMENT-PLINTH	DWG NO:	AR5342-3B	REV:	0
PROJECT: SUBMITTAL DRAWINGS	SHEET 9 OF 11	DRAWN BY:	RANJITHA	02-AUG-23	FIRST ANGLE PROJECTION
		ENGINEER:	FARRUKH SYED	12-SEP-23	
		APPROVED BY:	KEVIN LEMKE	12-SEP-23	

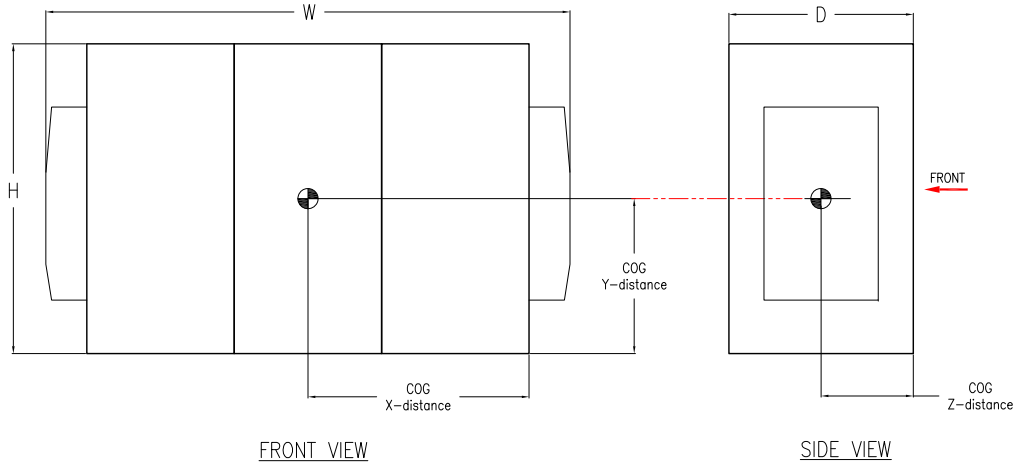
ENCLOSURE WITHOUT AIR CONDITIONER UNITS



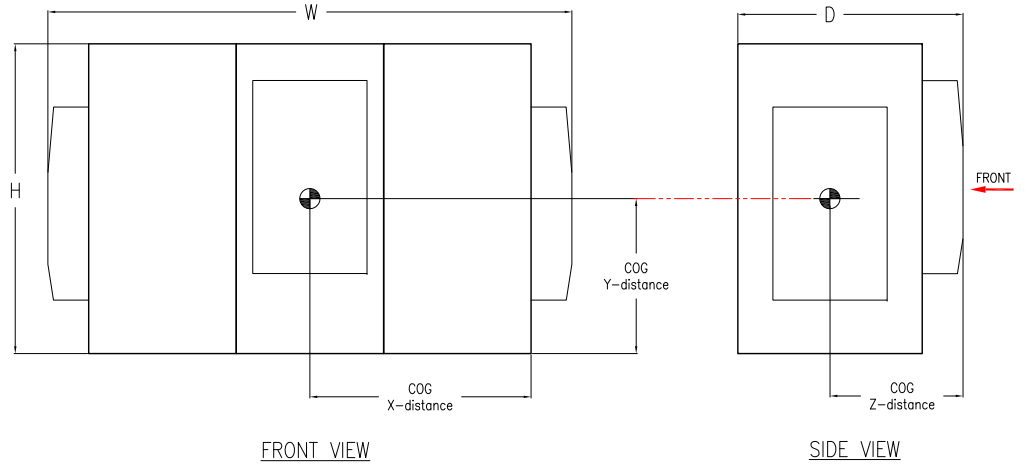
ENCLOSURE WITH ONE AIR CONDITIONER UNITS-LEFT SIDE



ENCLOSURE WITH TWO AIR CONDITIONER UNITS-LEFT SIDE AND RIGHT SIDE



ENCLOSURE WITH THREE AIR CONDITIONER UNITS-LEFT SIDE, RIGHT SIDE AND FRONT DOOR



NOTES:

1. INSTALLATION SHALL COMPLY WITH ALL APPLICABLE NATIONAL, STATE AND LOCAL ELECTRICAL REGULATIONS.
2. REFER TO PRODUCT DOCUMENTATION FOR ADDITIONAL DETAILS PRIOR TO LIFTING/MOVING/INSTALLING.
3. ALL DIMENSIONS ARE IN MILLIMETERS [INCHES].
4. PLEASE REFER SHEET 10 FOR COG DETAILS.

THIS DRAWING AND SPECIFICATIONS HEREIN ARE THE PROPERTY OF SCHNEIDER ELECTRIC AND SHALL NOT BE COPIED, REPRODUCED OR USED IN WHOLE OR IN PART, AS THE BASIS FOR THE MANUFACTURE OR SALE OF ITEMS WITHOUT WRITTEN PERMISSION FROM SCHNEIDER ELECTRIC. THIS DRAWING IS BASED UPON LATEST AVAILABLE INFORMATION AND IS SUBJECT TO CHANGE WITHOUT NOTICE.



TITLE: NetShelter RX, 126U
 2007H x 2286W x 1070D mm, W/LIGHTING
 NEMA 4 INSULATED ENCLOSURE, TRIPLE BAY
 COG FOR DIFFERENT CONFIGURATIONS
 PROJECT: SUBMITTAL DRAWINGS SHEET 10 OF 11

DWG NO: AR5342-3B
 DRAWN BY: RANJITHA 02-AUG-23
 ENGINEER: FARRUKH SYED 12-SEP-23
 APPROVED BY: KEVIN LEMKE 12-SEP-23

REV: 0
 FIRST ANGLE PROJECTION

COG AND DIMENSIONAL DETAILS WITH AND WITHOUT OPTIONAL ACU (AIR CONDITIONER UNIT)

ENCLOSURE SKU	ACU SKU	CAPACITY Btu/Hr (kW)	QUANTITY OF ACU IN THE SOLUTION	WEIGHT (ENCLOSURE+PLINTH+ACU) kg [lb]		WEIGHT (ENCLOSURE ONLY) kg [lb]	SOLUTION DIMENSIONS mm [in]			COG mm [in]				
				6" PLINTH	12" PLINTH		H	W	D	X-Direction	Y-Direction (w/o Plinth)	Y-Direction (6 In. Plinth)	Y-Direction (12 In. Plinth)	Z-Direction
AR5342-3B	WITHOUT AIR CONDITIONER UNITS		0	411 [904]	436 [961]	394.5 [870]	2095 [82.47]	2313 [91.06]	1210 [47.64]	1156.5 [45.53]	1047.4 [41.2]	1154.4 [45.45]	1279 [50.3]	605 [23.8]
	ACSC5231, ACSC5231-C, ACSC5232, ACSC5232-C	8K BTU/HR (2.3KW) 115V AND 230V	1 (ACU MOUNTED ON THE LEFT SIDE OF THE ENCLOSURE)	474 [1042]	536 [1180]	N/A	2095 [82.47]	2605 [102.6]	1210 [47.64]	1326 [52.2]	1045 [41.1]	1158 [45.6]	1286 [50.6]	600 [23.7]
	ACSC5351, ACSC5351-C, ACSC5352, ACSC5352-C, ACSC5354DC, ACSC5354DC-C	12K BTU/HR (3.5KW) 115V AND 230V		475 [1045]	501 [1101]					1332 [52.5]	1045 [41.1]	1158 [45.6]	1286 [50.6]	601 [23.5]
	ACSC5592, ACSC5592-C	20K BTU/HR (5.9KW) 230V		500 [1100]	526 [1156]					1406 [55.4]	1056 [41.6]	1171 [46.1]	1299 [51.2]	599 [23.6]
	ACSC5231, ACSC5231-C, ACSC5232, ACSC5232-C	8K BTU/HR (2.3KW) 115V AND 230V	2 (ACUS MOUNTED ON THE SIDES OF THE ENCLOSURE)	536 [1180]	562 [1236]		2095 [82.47]	2905 [114.4]	1210 [47.64]	1157 [45.6]	1043 [41.1]	1161 [45.7]	1291 [50.8]	597 [23.5]
	ACSC5351, ACSC5351-C, ACSC5352, ACSC5352-C, ACSC5354DC, ACSC5354DC-C	12K BTU/HR (3.5KW) 115V AND 230V		539 [1186]	565 [1242]					1157 [45.6]	1043 [41.1]	1161 [45.7]	1291 [50.8]	597 [23.5]
	ACSC5592, ACSC5592-C	20K BTU/HR (5.9KW) 230V		589 [1296]	615 [1352]					1157 [45.6]	1061 [41.8]	1314 [51.7]	1314 [51.7]	595 [23.4]
	ACSC5231, ACSC5231-C, ACSC5232, ACSC5232-C	8K BTU/HR (2.3KW) 115V AND 230V	3 (ACU MOUNTED ON BOTH SIDES AND ONE ON THE MIDDLE FRONT DOOR)	599 [1318]	624 [1374]		2095 [82.47]	2905 [114.4]	1473 [57.99]	1155 [45.5]	1041 [41]	1163 [45.8]	1296 [51]	521 [20.5]
	ACSC5351, ACSC5351-C, ACSC5352, ACSC5352-C, ACSC5354DC, ACSC5354DC-C	12K BTU/HR (3.5KW) 115V AND 230V		603 [1327]	629 [1383]					1155 [45.5]	1041 [41]	1163 [46]	1296 [51]	519 [20.4]
	ACSC5592, ACSC5592-C	20K BTU/HR (5.9KW) 230V		678 [1492]	704 [1548]					1155 [45.5]	1072 [42.2]	1196 [47.1]	1331 [52.4]	493 [19.4]

NOTES:
 1. INSTALLATION SHALL COMPLY WITH ALL APPLICABLE NATIONAL, STATE AND LOCAL ELECTRICAL REGULATIONS.
 2. REFER TO PRODUCT DOCUMENTATION FOR ADDITIONAL DETAILS PRIOR TO LIFTING/MOVING/INSTALLING.

THIS DRAWING AND SPECIFICATIONS HEREIN ARE THE PROPERTY OF SCHNEIDER ELECTRIC AND SHALL NOT BE COPIED, REPRODUCED OR USED IN WHOLE OR IN PART, AS THE BASIS FOR THE MANUFACTURE OR SALE OF ITEMS WITHOUT WRITTEN PERMISSION FROM SCHNEIDER ELECTRIC. THIS DRAWING IS BASED UPON LATEST AVAILABLE INFORMATION AND IS SUBJECT TO CHANGE WITHOUT NOTICE.



TITLE: NetShelter RX, 126U
 2007H x 2286W x 1070D mm, W/LIGHTING
 NEMA 4 INSULATED ENCLOSURE, TRIPLE BAY
 COG, WEIGHT AND DIMENSIONAL DETAILS
 PROJECT: SUBMITTAL DRAWINGS SHEET 11 OF 11

DWG NO: AR5342-3B REV: 0
 DRAWN BY: RANJITHA 02-AUG-23 FIRST ANGLE PROJECTION
 ENGINEER: FARRUKH SYED 12-SEP-23
 APPROVED BY: KEVIN LEMKE 12-SEP-23