

NetShelter RX, 84U -DRAWING GUIDE

Sheet No.	Description
1	Drawing Guide
2	Isometric Views
3	General Arrangement-Enclosure only
4	Top & Bottom Views
5	Section View-Enclosure only
6	General Arrangement with ACU
7	Top & Bottom View with ACU
8	Section View with ACU
9	Plinth
10	Weight and Center of Gravity details

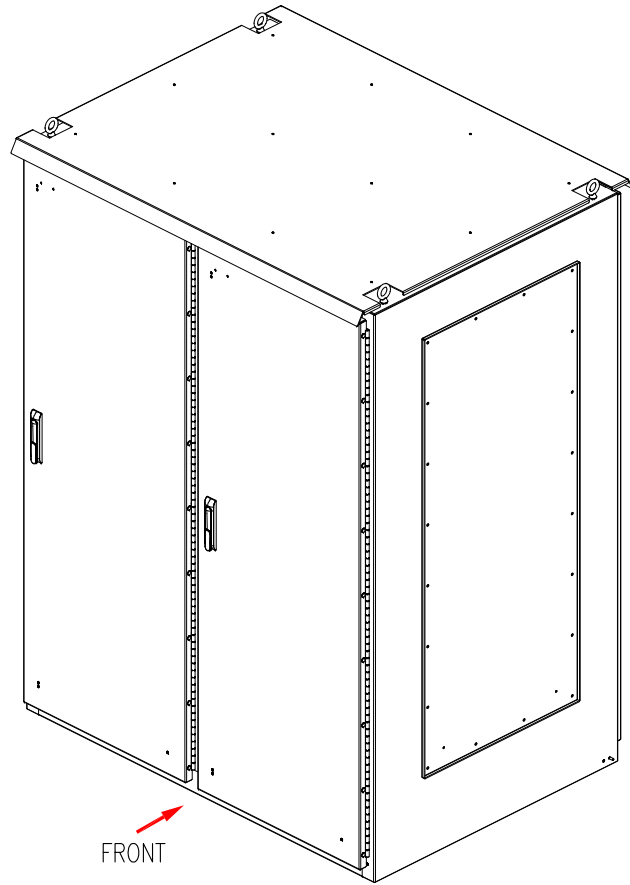
THIS DRAWING AND SPECIFICATIONS HEREIN ARE THE PROPERTY OF SCHNEIDER ELECTRIC AND SHALL NOT BE COPIED, REPRODUCED OR USED IN WHOLE OR IN PART, AS THE BASIS FOR THE MANUFACTURE OR SALE OF ITEMS WITHOUT WRITTEN PERMISSION FROM SCHNEIDER ELECTRIC. THIS DRAWING IS BASED UPON LATEST AVAILABLE INFORMATION AND IS SUBJECT TO CHANGE WITHOUT NOTICE.



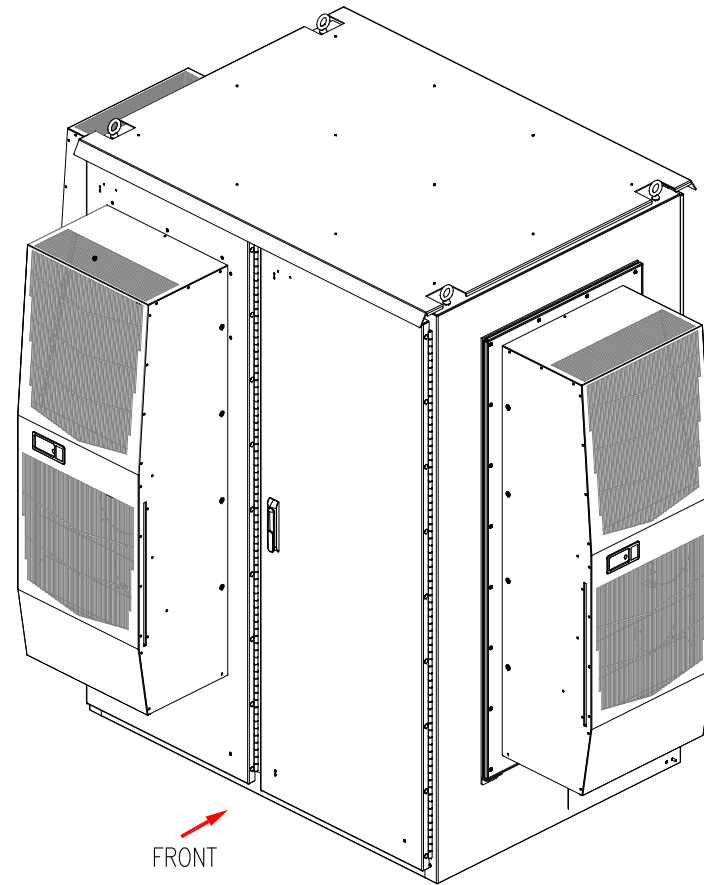
TITLE: NetShelter RX, 84U
2007H x 1524W x 1070D mm, W/LIGHTING
NEMA 4 INSULATED ENCLOSURE, DUAL BAY
DRAWING GUIDE
PROJECT: SUBMITTAL DRAWINGS SHEET 1 OF 10

DWG NO: AR5342-2B REV. 0
DRAWN BY: RANJITHA 02-AUG-23 FIRST ANGLE PROJECTION
ENGINEER: FARRUKH SYED 12-SEP-23
APPROVED BY: KEVIN LEMKE 12-SEP-23

ISOMETRIC VIEW FOR NETSHELTER ENCLOSURE:



ISOMETRIC VIEW FOR MICRO DATA CENTER WITH PANEL MOUNT AC UNITS:



NOTES:

1. INSTALLATION SHALL COMPLY WITH ALL APPLICABLE NATIONAL, STATE AND LOCAL ELECTRICAL REGULATIONS.
2. REFER TO PRODUCT DOCUMENTATION FOR ADDITIONAL DETAILS PRIOR TO LIFTING/ MOVING/ INSTALLING.

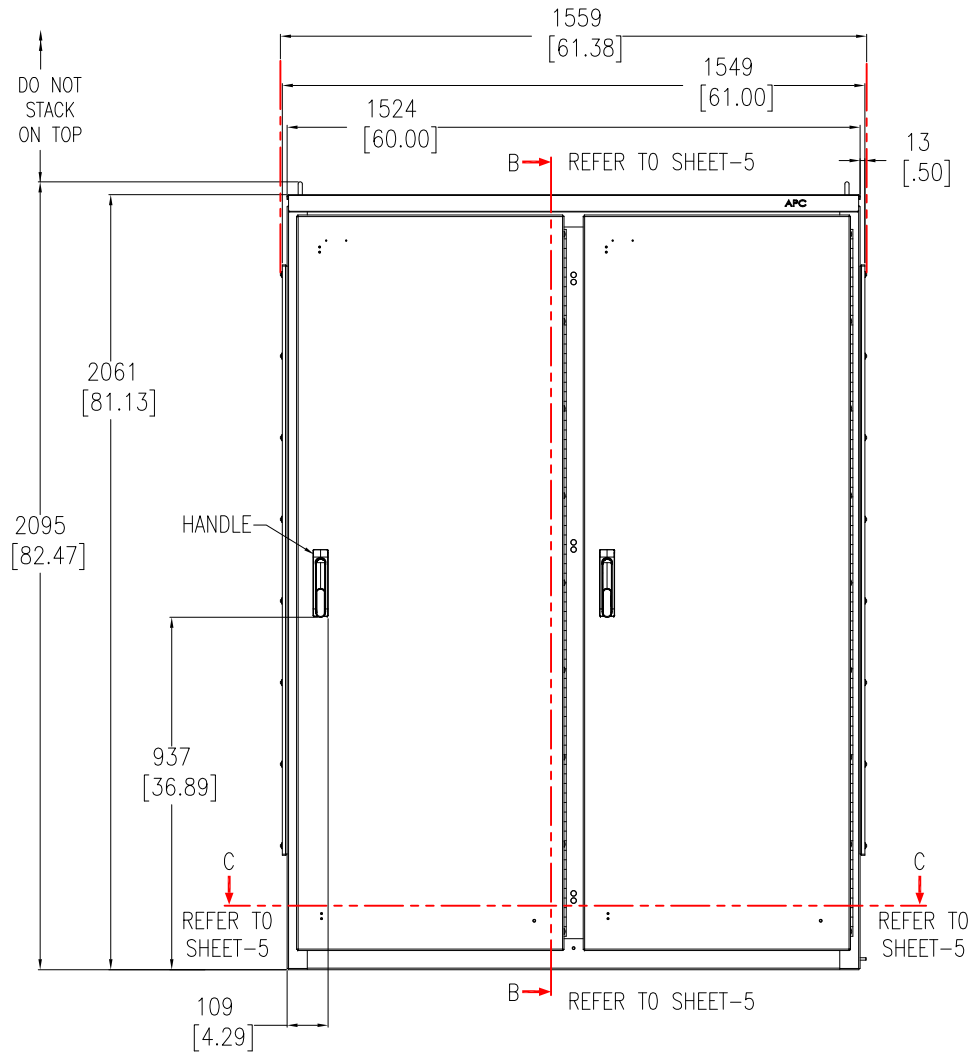
THIS DRAWING AND SPECIFICATIONS HEREIN ARE THE PROPERTY OF SCHNEIDER ELECTRIC AND SHALL NOT BE COPIED, REPRODUCED OR USED IN WHOLE OR IN PART, AS THE BASIS FOR THE MANUFACTURE OR SALE OF ITEMS WITHOUT WRITTEN PERMISSION FROM SCHNEIDER ELECTRIC. THIS DRAWING IS BASED UPON LATEST AVAILABLE INFORMATION AND IS SUBJECT TO CHANGE WITHOUT NOTICE.



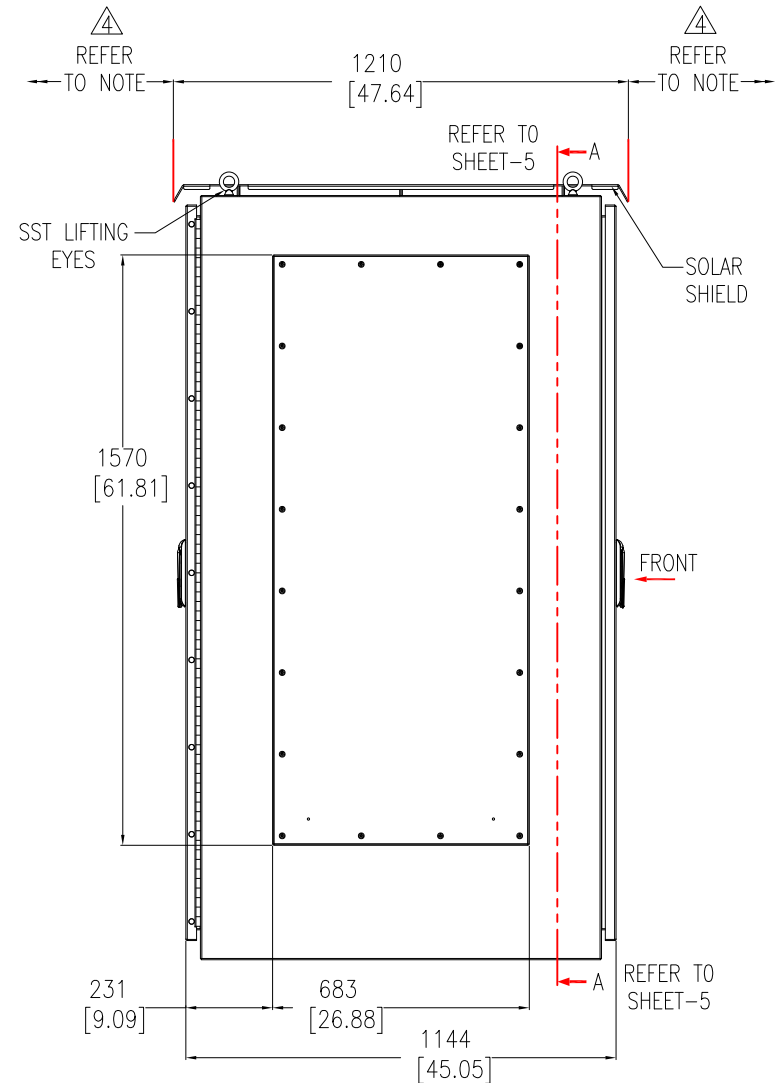
TITLE: NetShelter RX, 84U
2007H x 1524W x 1070D mm, W/LIGHTING
NEMA 4 INSULATED ENCLOSURE, DUAL BAY
ISOMETRIC VIEWS
PROJECT: SUBMITTAL DRAWINGS SHEET 2 OF 10

DWG NO:	AR5342-2B		REV:	0
DRAWN BY:	RANJITHA	02-AUG-23	FIRST ANGLE PROJECTION	
ENGINEER:	FARRUKH SYED	12-SEP-23		
APPROVED BY:	KEVIN LEMKE	12-SEP-23		

NETSHELTER ENCLOSURE – GENERAL ARRANGEMENT/SERVICE CLEARANCES



FRONT VIEW



LEFT SIDE VIEW

- NOTES:**
1. INSTALLATION SHALL COMPLY WITH ALL APPLICABLE NATIONAL, STATE AND LOCAL ELECTRICAL REGULATIONS.
 2. REFER TO PRODUCT DOCUMENTATION FOR ADDITIONAL DETAILS PRIOR TO LIFTING/MOVING/INSTALLING.
 3. ALL DIMENSIONS ARE IN MILLIMETERS [INCHES].
 4. FRONT AND REAR ACCESS REQUIRED FOR SERVICE. MINIMUM REQUIRED FRONT/REAR CLEARANCE IS 1220mm [48 IN]. NO SIDE CLEARANCE REQUIRED.
 5. MANUFACTURED TO NEMA 4X SPECIFICATIONS, UL LABELED.
 6. RATED STATIC LOAD CAPACITY PER BAY IS 907.18 kg [2000 lbs].
 7. FOR MDC PANEL MOUNTED AC, REFER TO SHEET 6, 6 AND 8.
 8. DOUBLE FLANGED DOOR OPENING.
 9. CABLE ENTRY AND EXIT: BOTTOM.
 10. REFER TO SHEET 5 FOR SECTIONAL VIEWS.

THIS DRAWING AND SPECIFICATIONS HEREIN ARE THE PROPERTY OF SCHNEIDER ELECTRIC AND SHALL NOT BE COPIED, REPRODUCED OR USED IN WHOLE OR IN PART, AS THE BASIS FOR THE MANUFACTURE OR SALE OF ITEMS WITHOUT WRITTEN PERMISSION FROM SCHNEIDER ELECTRIC. THIS DRAWING IS BASED UPON LATEST AVAILABLE INFORMATION AND IS SUBJECT TO CHANGE WITHOUT NOTICE.

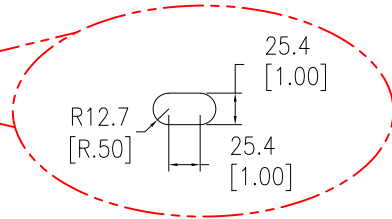
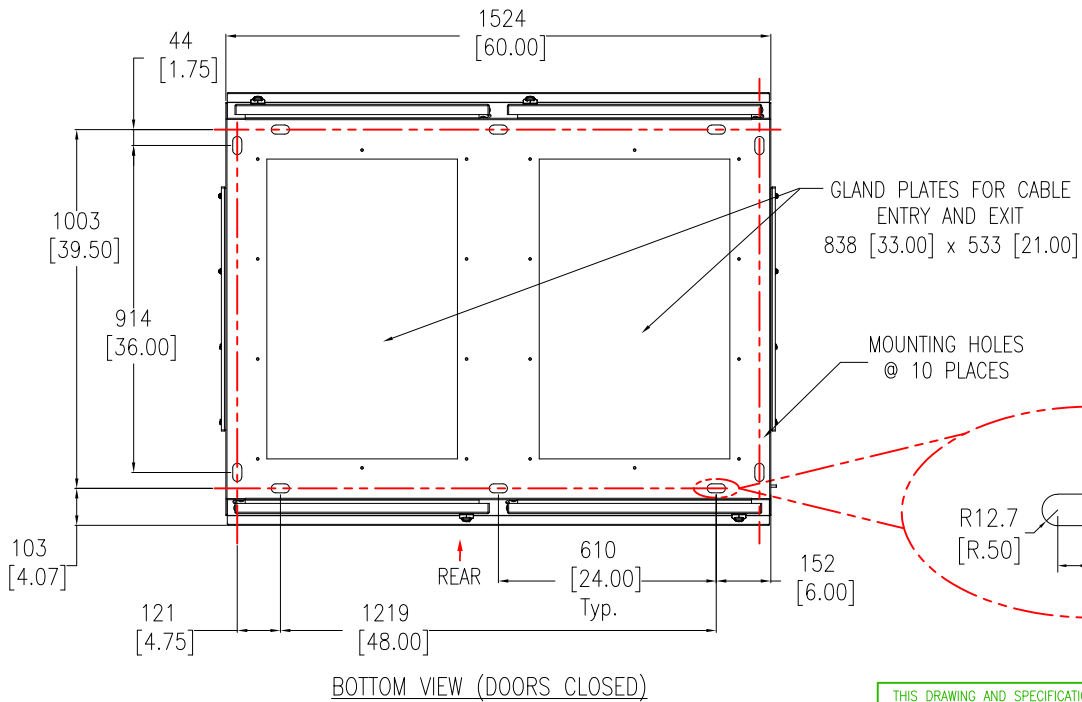
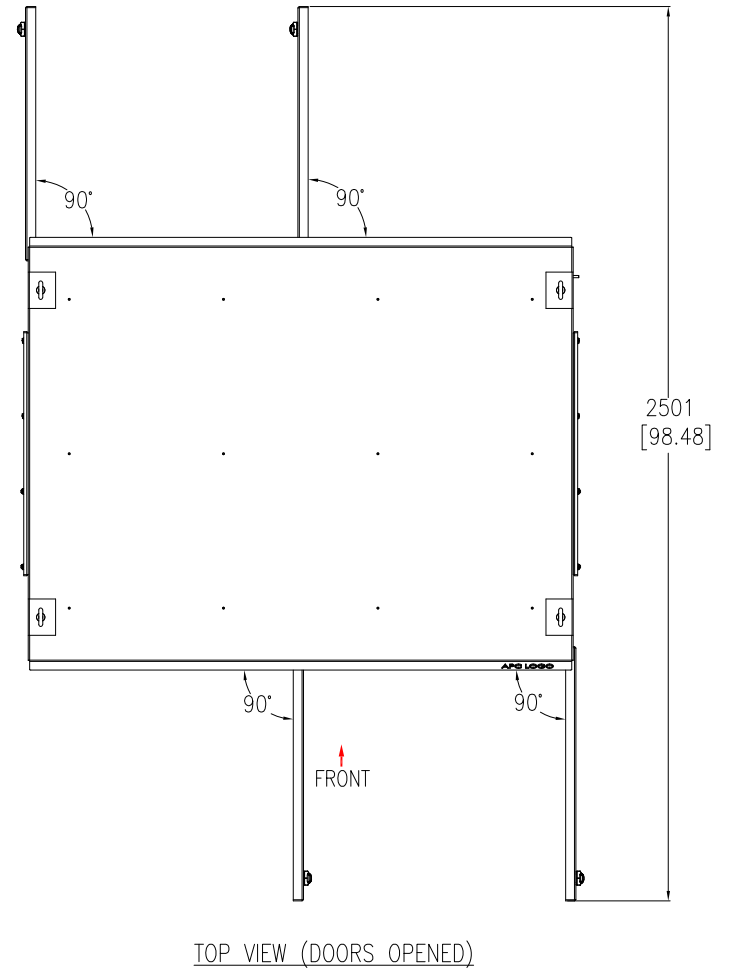
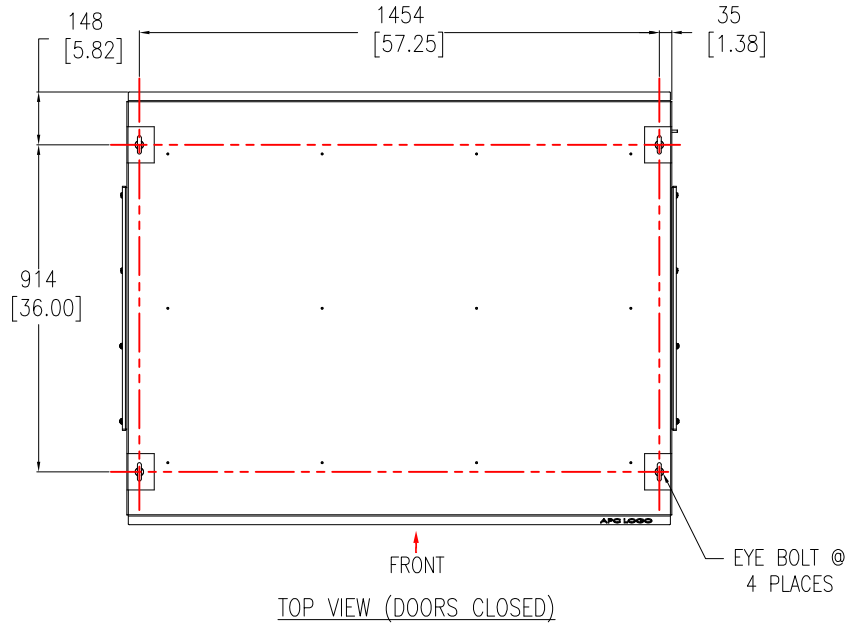


TITLE: NetShelter RX, 84U
2007H x 1524W x 1070D mm, W/LIGHTING
NEMA 4 INSULATED ENCLOSURE, DUAL BAY
GENERAL ARRANGEMENT
PROJECT: SUBMITTAL DRAWINGS SHEET 3 OF 10

DWG NO: AR5342-2B
DRAWN BY: RANJITHA 02-AUG-23
ENGINEER: FARRUKH SYED 12-SEP-23
APPROVED BY: KEVIN LEMKE 12-SEP-23

REV. 0
FIRST ANGLE PROJECTION

NETSHELTER ENCLOSURE – TOP AND BOTTOM VIEW DETAILS



NOTES:

1. INSTALLATION SHALL COMPLY WITH ALL APPLICABLE NATIONAL, STATE AND LOCAL ELECTRICAL REGULATIONS.
2. REFER TO PRODUCT DOCUMENTATION FOR ADDITIONAL DETAILS PRIOR TO LIFTING/MOVING/INSTALLING.
3. ALL DIMENSIONS ARE IN MILLIMETERS [INCHES].

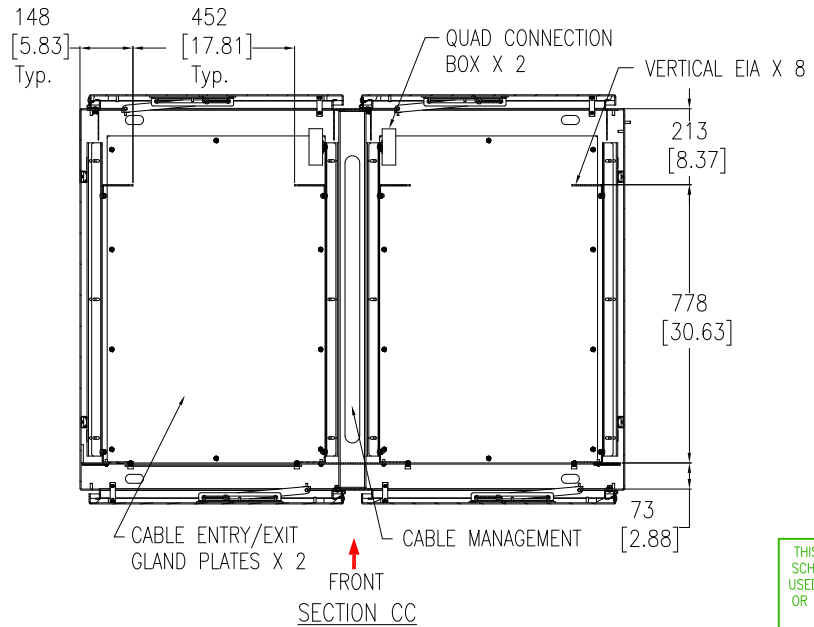
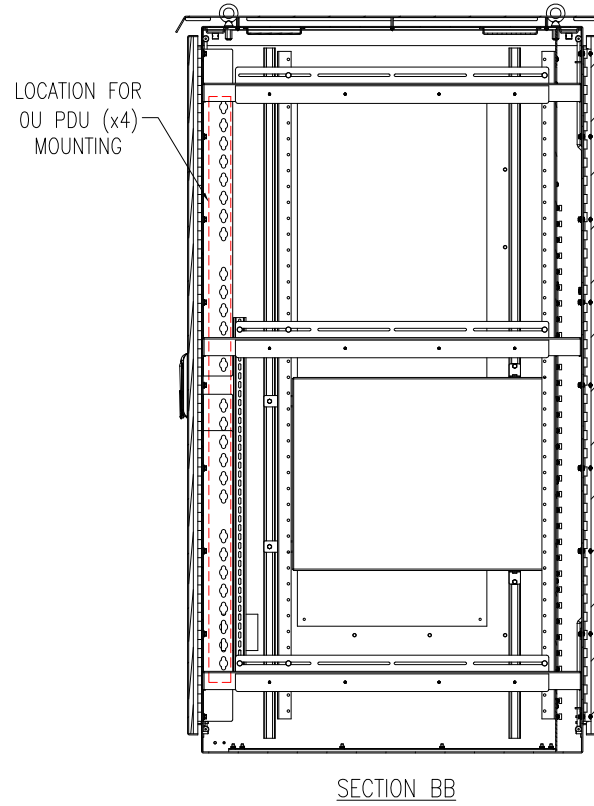
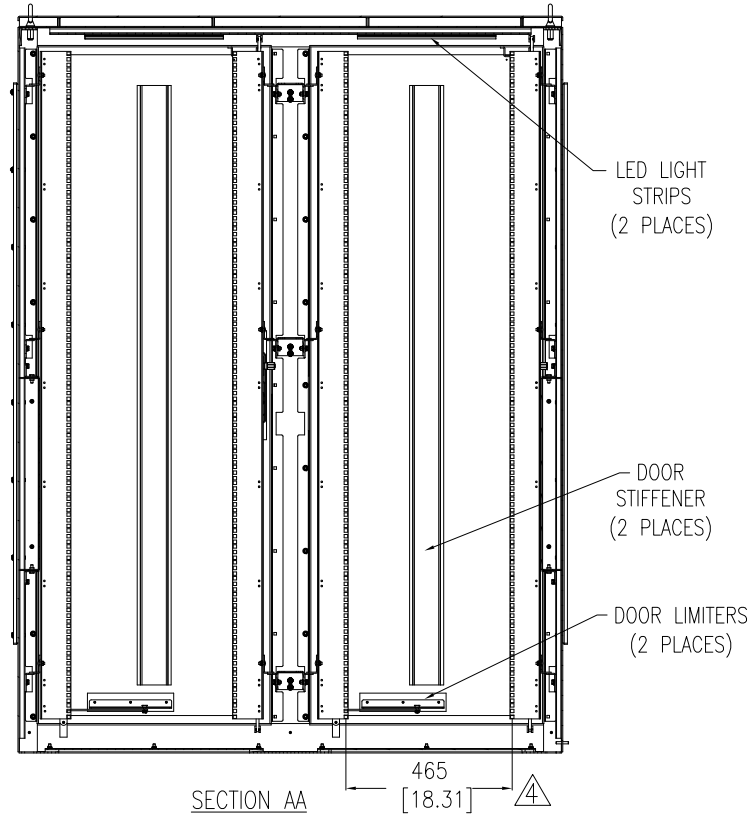
THIS DRAWING AND SPECIFICATIONS HEREIN ARE THE PROPERTY OF SCHNEIDER ELECTRIC AND SHALL NOT BE COPIED, REPRODUCED OR USED IN WHOLE OR IN PART, AS THE BASIS FOR THE MANUFACTURE OR SALE OF ITEMS WITHOUT WRITTEN PERMISSION FROM SCHNEIDER ELECTRIC. THIS DRAWING IS BASED UPON LATEST AVAILABLE INFORMATION AND IS SUBJECT TO CHANGE WITHOUT NOTICE.

Schneider Electric

TITLE: NetShelter RX, 84U
2007H x 1524W x 1070D mm, W/LIGHTING
NEMA 4 INSULATED ENCLOSURE, DUAL BAY
TOP & BOTTOM VIEW
PROJECT: SUBMITTAL DRAWINGS SHEET 4 OF 10

DWG NO: AR5342-2B REV: 0
DRAWN BY: RANJITHA 02-AUG-23 FIRST ANGLE PROJECTION
ENGINEER: FARRUKH SYED 12-SEP-23
APPROVED BY: KEVIN LEMKE 12-SEP-23

NETSHELTER ENCLOSURE – GENERAL ARRANGEMENT – SECTION VIEW



NOTES:

1. INSTALLATION SHALL COMPLY WITH ALL APPLICABLE NATIONAL, STATE AND LOCAL ELECTRICAL REGULATIONS.
 2. REFER TO PRODUCT DOCUMENTATION FOR ADDITIONAL DETAILS PRIOR TO LIFTING/MOVING/INSTALLING.
 3. ALL DIMENSIONS ARE IN MILLIMETERS [INCHES].
- ⚠ UNIT WILL BE SHIPPED WITH STANDARD EIA RAIL SETTING AT 19 Inch, WITH RECTANGULAR CAGE NUT SLOTS. THE EIA RAILS CAN BE FLIPPED 90° TO GET 23 Inch RAIL SETTING WITH ROUND MOUNTING HOLES.

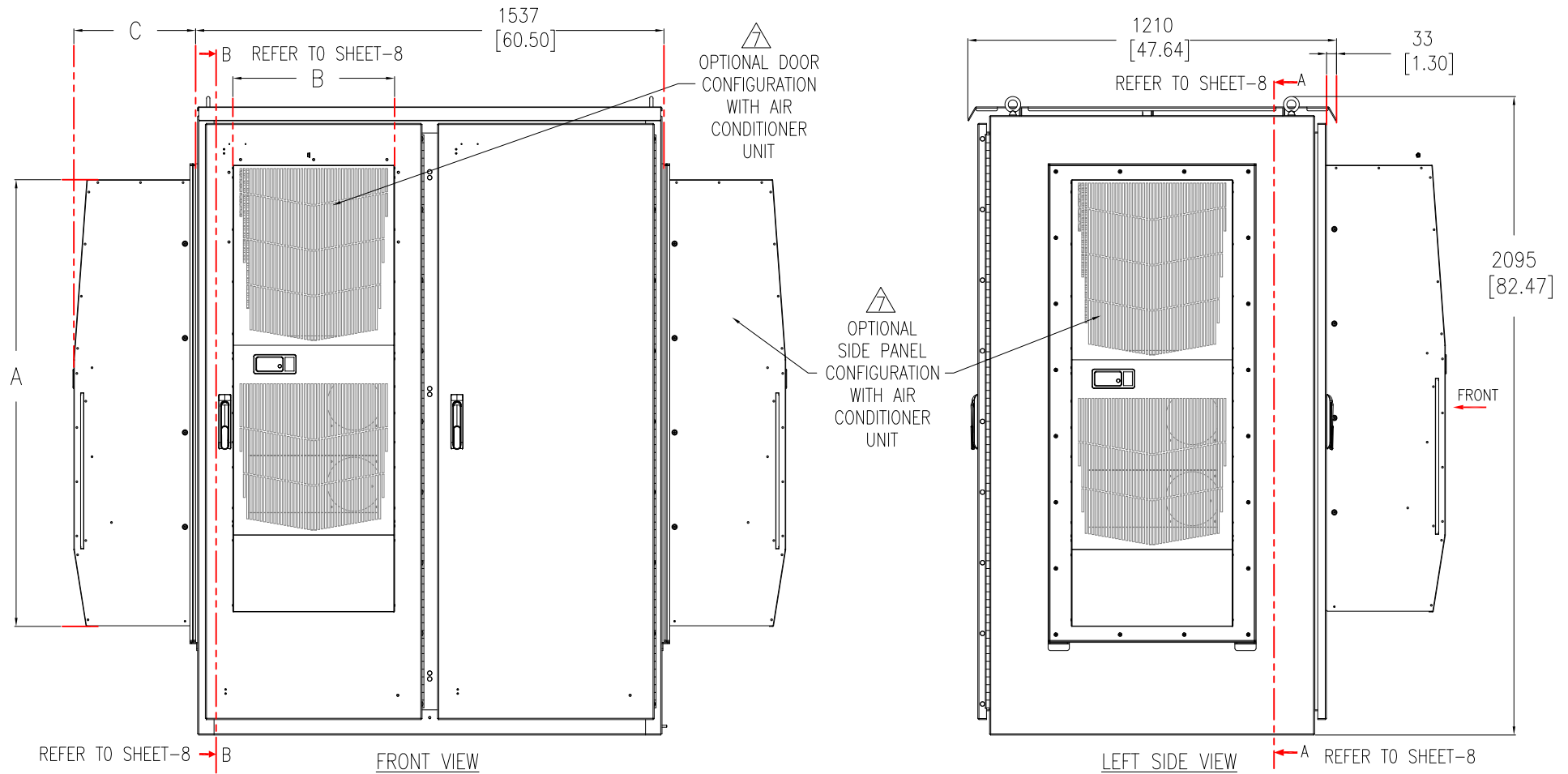
THIS DRAWING AND SPECIFICATIONS HEREIN ARE THE PROPERTY OF SCHNEIDER ELECTRIC AND SHALL NOT BE COPIED, REPRODUCED OR USED IN WHOLE OR IN PART, AS THE BASIS FOR THE MANUFACTURE OR SALE OF ITEMS WITHOUT WRITTEN PERMISSION FROM SCHNEIDER ELECTRIC. THIS DRAWING IS BASED UPON LATEST AVAILABLE INFORMATION AND IS SUBJECT TO CHANGE WITHOUT NOTICE.

Schneider Electric

TITLE: NetShelter RX, 84U
2007H x 1524W x 1070D mm, W/LIGHTING
NEMA 4 INSULATED ENCLOSURE, DUAL BAY
SECTIONAL VIEWS
PROJECT: SUBMITTAL DRAWINGS SHEET 5 OF 10

DWG NO: AR5342-2B REV. 0
DRAWN BY: RANJITHA 02-AUG-23 FIRST ANGLE
ENGINEER: FARRUKH SYED 12-SEP-23 PROJECTION
APPROVED BY: KEVIN LEMKE 12-SEP-23

MICRO DATA CENTER WITH PANEL MOUNTED AC – GENERAL ARRANGEMENT/SERVICE CLEARANCES



DIMENSIONAL DETAILS mm [Inches] WITH OPTIONAL ACU (AIR CONDITIONER UNIT)						
ENCLOSURE SKU	ACU SKU	CAPACITY	UNIT WEIGHT OF ACU kg (lb)	A	B	C
AR5342-2B	ACSC5231, ACSC5231-C, ACSC5232, ACSC5232-C	8K BTU/HR (2.3KW) 115V AND 230V	62.6 (138)	1339 [52.7]	435 [17.14]	296 [11.65]
	ACSC5351, ACSC5351-C, ACSC5352, ACSC5352-C, ACSC5354DC, ACSC5354DC-C	12K BTU/HR (3.5KW) 115V AND 230V	64.0 (141)			
	ACSC5592, ACSC5592-C	20K BTU/HR (5.9KW) 230V	89 (197)	1465 [57.7]	531 [20.89]	390 [15.35]

- NOTES:
1. INSTALLATION SHALL COMPLY WITH ALL APPLICABLE NATIONAL, STATE AND LOCAL ELECTRICAL REGULATIONS.
 2. REFER TO PRODUCT DOCUMENTATION FOR ADDITIONAL DETAILS PRIOR TO LIFTING/MOVING/INSTALLING.
 3. ALL DIMENSIONS ARE IN MILLIMETERS [INCHES].
 4. PERIMETER ACCESS REQUIRED FOR SERVICE. MINIMUM REQUIRED CLEARANCE IS 1220mm [48 IN].
 5. MANUFACTURED TO NEMA 4X SPECIFICATIONS, UL LABELED.
 6. REFER TO SHEET 7 FOR SECTIONAL VIEWS.
- △ 8K BTU/12K BTU AIR CONDITIONER UNITS SHOWN FOR ILLUSTRATION PURPOSE.

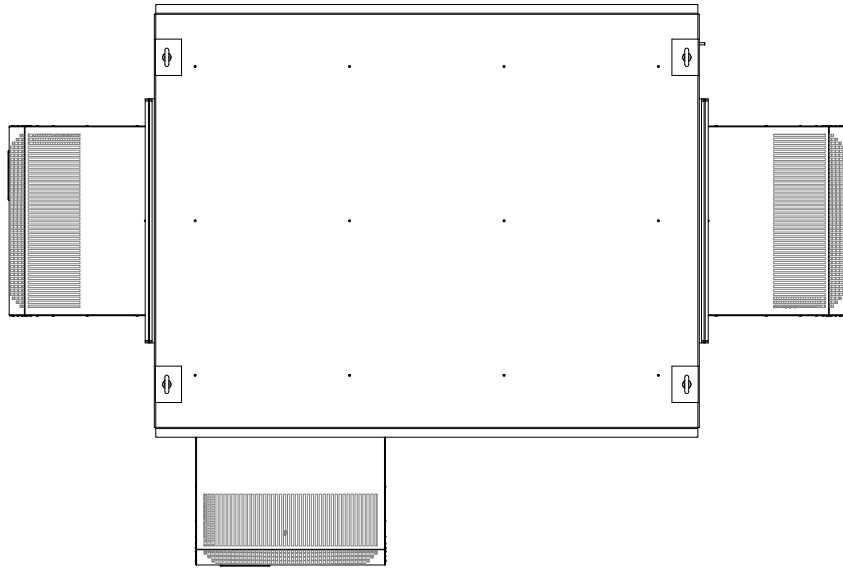
THIS DRAWING AND SPECIFICATIONS HEREIN ARE THE PROPERTY OF SCHNEIDER ELECTRIC AND SHALL NOT BE COPIED, REPRODUCED OR USED IN WHOLE OR IN PART, AS THE BASIS FOR THE MANUFACTURE OR SALE OF ITEMS WITHOUT WRITTEN PERMISSION FROM SCHNEIDER ELECTRIC. THIS DRAWING IS BASED UPON LATEST AVAILABLE INFORMATION AND IS SUBJECT TO CHANGE WITHOUT NOTICE.

Schneider Electric

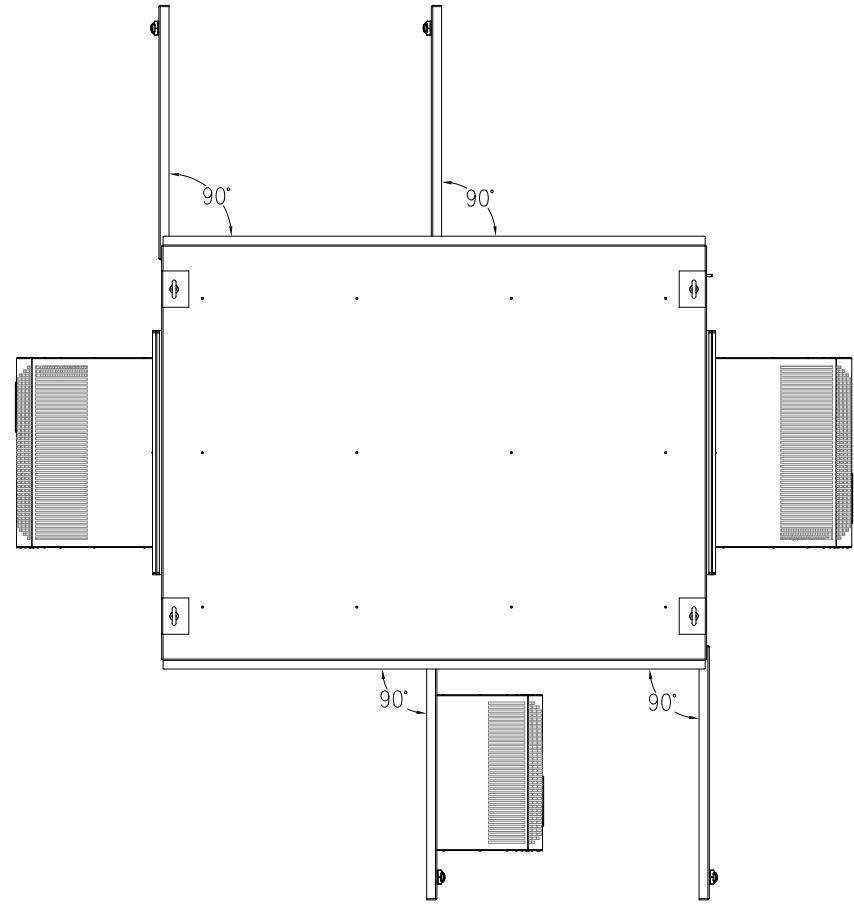
TITLE: NetShelter RX, 84U
2007H x 1524W x 1070D mm, W/LIGHTING NEMA 4 INSULATED ENCLOSURE, DUAL BAY GENERAL ARRANGEMENT WITH AIR CONDITIONERS
PROJECT: SUBMITTAL DRAWINGS SHEET 6 OF 10

DWG NO: AR5342-2B REV. 0
DRAWN BY: RANJITHA 02-AUG-23 FIRST ANGLE PROJECTION
ENGINEER: FARRUKH SYED 12-SEP-23
APPROVED BY: KEVIN LEMKE 12-SEP-23

MICRO DATA CENTER WITH PANEL MOUNTED AC – GENERAL ARRANGEMENT / SERVICE CLEARANCES

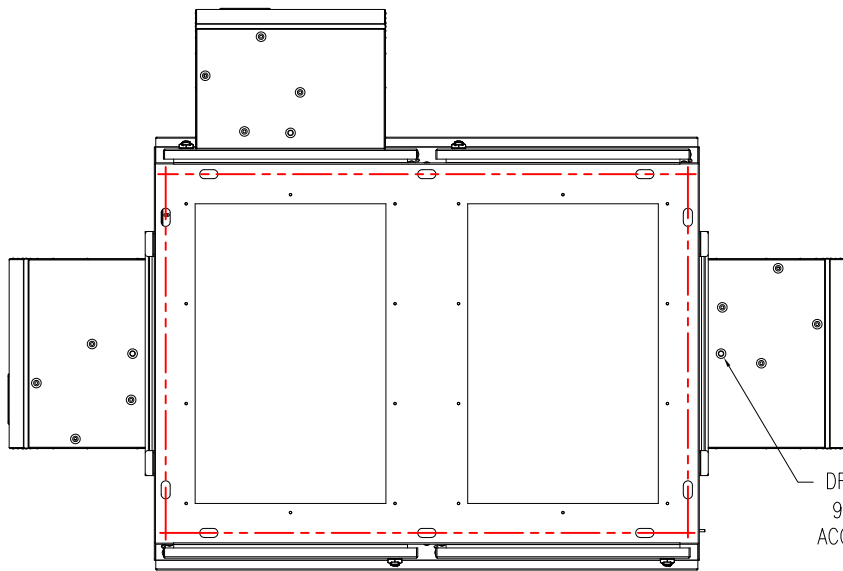


TOP VIEW



FRONT

TOP VIEW (DOORS OPENED)



BOTTOM VIEW

NOTES:

1. INSTALLATION SHALL COMPLY WITH ALL APPLICABLE NATIONAL, STATE AND LOCAL ELECTRICAL REGULATIONS.
2. REFER TO PRODUCT DOCUMENTATION FOR ADDITIONAL DETAILS PRIOR TO LIFTING/MOVING/INSTALLING.
3. ALL DIMENSIONS ARE IN MILLIMETERS [INCHES].
4. PERIMETER ACCESS REQUIRED FOR SERVICE. MINIMUM REQUIRED CLEARANCE IS 1220mm [48 IN].

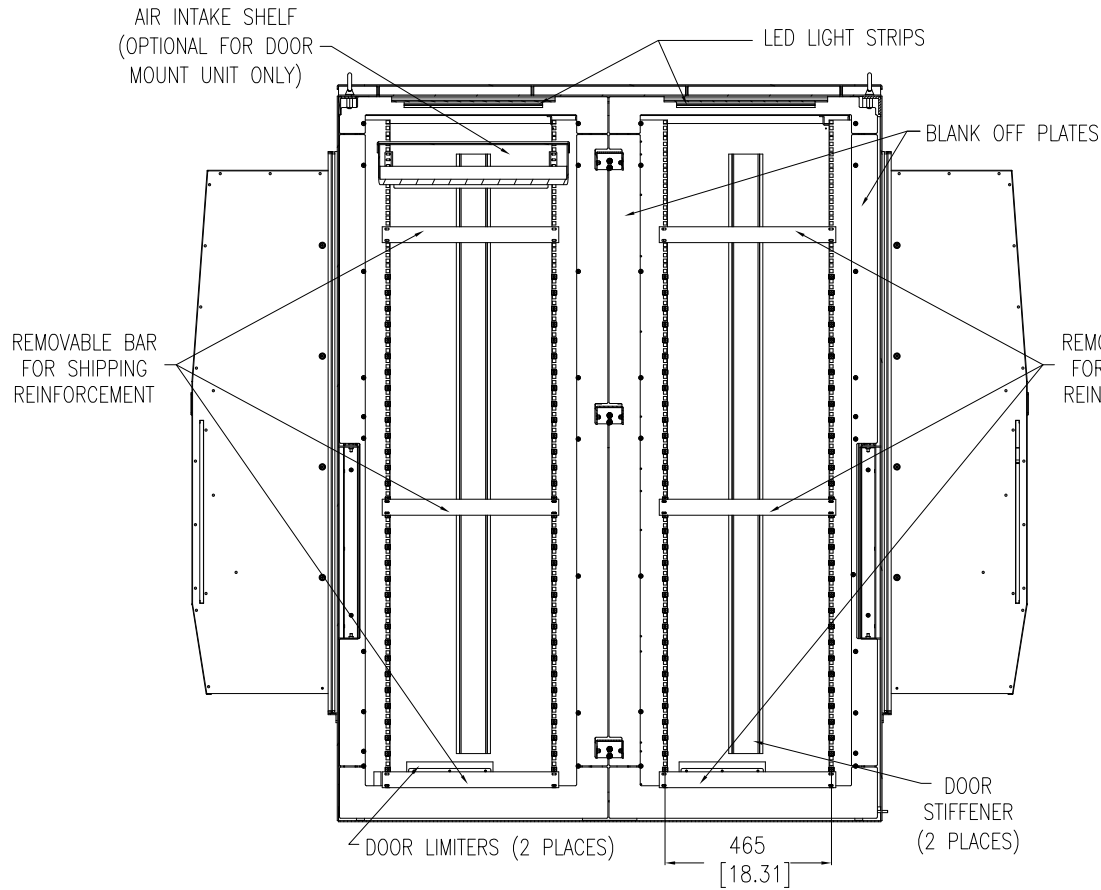
THIS DRAWING AND SPECIFICATIONS HEREIN ARE THE PROPERTY OF SCHNEIDER ELECTRIC AND SHALL NOT BE COPIED, REPRODUCED OR USED IN WHOLE OR IN PART, AS THE BASIS FOR THE MANUFACTURE OR SALE OF ITEMS WITHOUT WRITTEN PERMISSION FROM SCHNEIDER ELECTRIC. THIS DRAWING IS BASED UPON LATEST AVAILABLE INFORMATION AND IS SUBJECT TO CHANGE WITHOUT NOTICE.



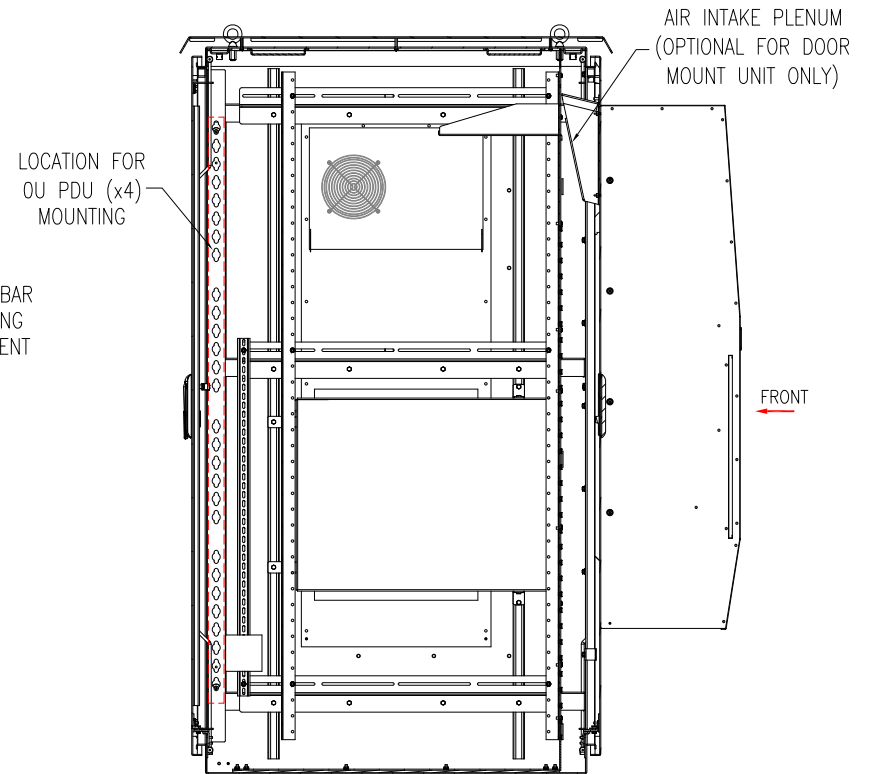
TITLE: NetShelter RX, 84U
 2007H x 1524W x 1070D mm, W/LIGHTING
 NEMA 4 INSULATED ENCLOSURE, DUAL BAY
 TOP & BOTTOM VIEW WITH AIR CONDITIONERS
 PROJECT: SUBMITTAL DRAWINGS SHEET 7 OF 10

DWG NO:	AR5342-2B	REV:	0
DRAWN BY:	RANJITHA	02-AUG-23	FIRST
ENGINEER:	FARRUKH SYED	12-SEP-23	ANGLE
APPROVED BY:	KEVIN LEMKE	12-SEP-23	PROJECTION

MICRO DATA CENTER WITH PANEL MOUNTED AC – GENERAL ARRANGEMENT – SECTION VIEW



SECTION AA



SECTION BB

NOTES:

1. INSTALLATION SHALL COMPLY WITH ALL APPLICABLE NATIONAL, STATE AND LOCAL ELECTRICAL REGULATIONS.
2. REFER TO PRODUCT DOCUMENTATION FOR ADDITIONAL DETAILS PRIOR TO LIFTING/MOVING/INSTALLING.
3. ALL DIMENSIONS ARE IN MILLIMETERS [INCHES].

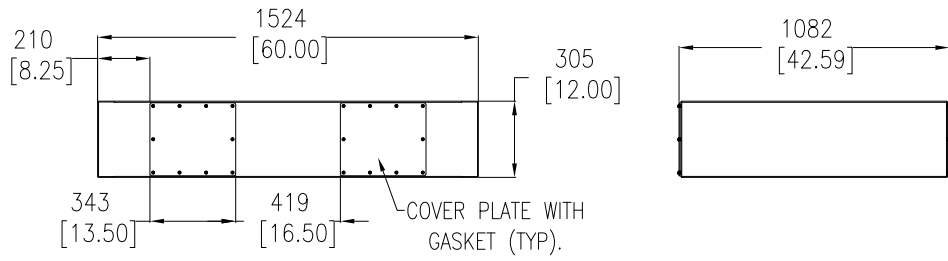
THIS DRAWING AND SPECIFICATIONS HEREIN ARE THE PROPERTY OF SCHNEIDER ELECTRIC AND SHALL NOT BE COPIED, REPRODUCED OR USED IN WHOLE OR IN PART, AS THE BASIS FOR THE MANUFACTURE OR SALE OF ITEMS WITHOUT WRITTEN PERMISSION FROM SCHNEIDER ELECTRIC. THIS DRAWING IS BASED UPON LATEST AVAILABLE INFORMATION AND IS SUBJECT TO CHANGE WITHOUT NOTICE.



TITLE: NetShelter RX, 84U
 2007H x 1524W x 1070D mm, W/LIGHTING
 NEMA 4 INSULATED ENCLOSURE, DUAL BAY
 SECTIONAL VIEWS WITH AIR CONDITIONERS
 PROJECT: SUBMITTAL DRAWINGS SHEET 8 OF 10

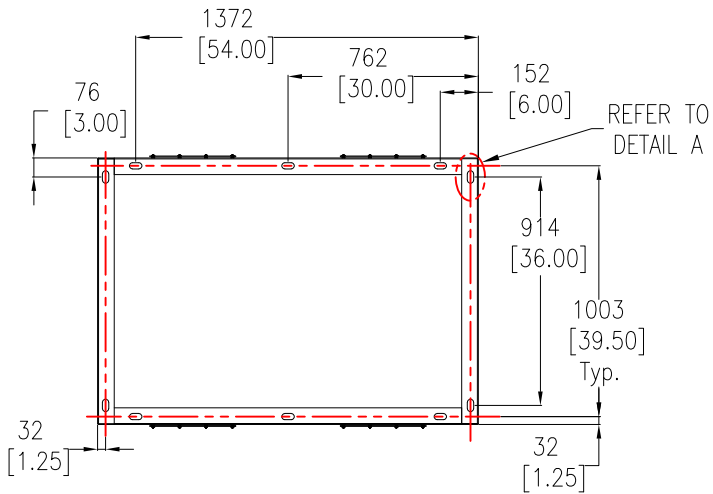
DWG NO:	AR5342-2B	REV:	0
DRAWN BY:	RANJITHA	02-AUG-23	FIRST ANGLE PROJECTION
ENGINEER:	FARRUKH SYED	12-SEP-23	
APPROVED BY:	KEVIN LEMKE	12-SEP-23	

PLINTH DETAILS: 12 Inch

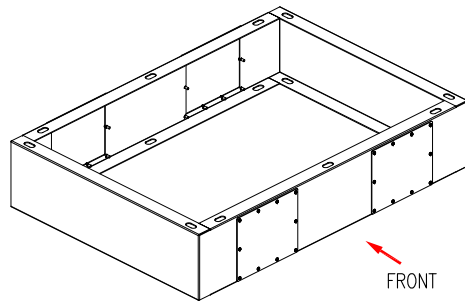


FRONT VIEW

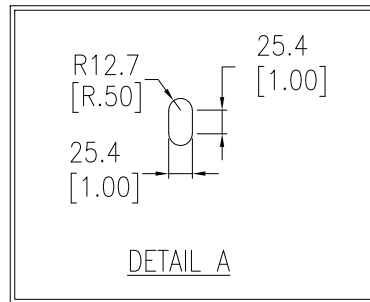
LEFT SIDE VIEW



TOP VIEW

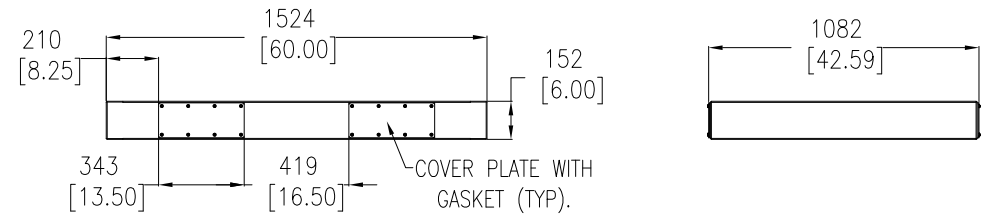


ISOMETRIC VIEW



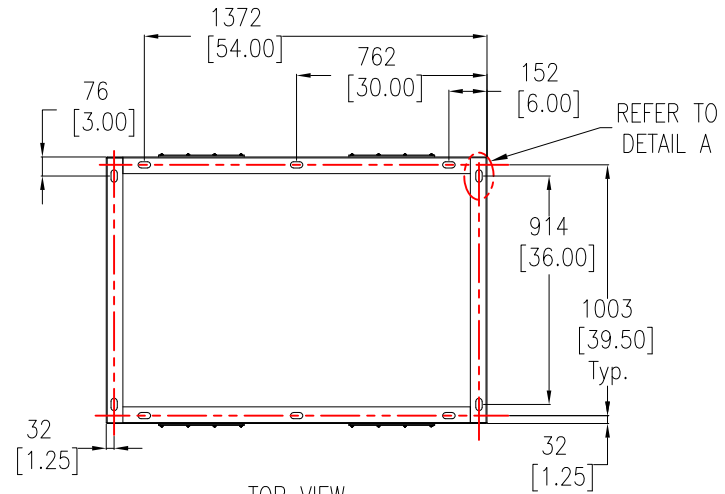
DETAIL A

PLINTH DETAILS: 6 Inch

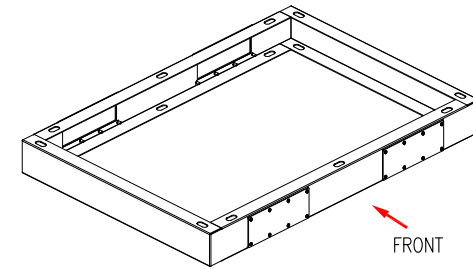


FRONT VIEW

LEFT SIDE VIEW



TOP VIEW



ISOMETRIC VIEW

- NOTES:
1. INSTALLATION SHALL COMPLY WITH ALL APPLICABLE NATIONAL, STATE AND LOCAL ELECTRICAL REGULATIONS.
 2. REFER TO PRODUCT DOCUMENTATION FOR ADDITIONAL DETAILS PRIOR TO LIFTING/MOVING/INSTALLING.
 3. ALL DIMENSIONS ARE IN MILLIMETERS [INCHES].
 4. WEIGHT OF 6" PLINTH IS 13 kg [28.7 lb] AND OF 12" PLINTH IS 20 kg [44.4 lb].

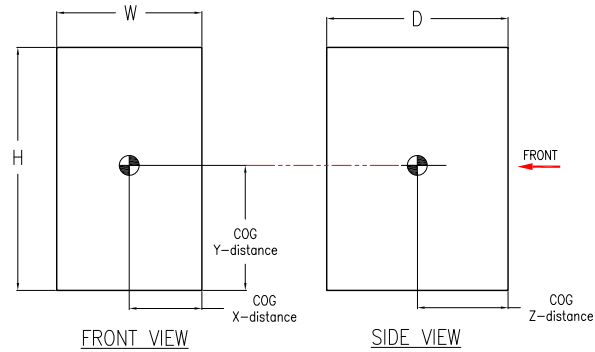
THIS DRAWING AND SPECIFICATIONS HEREIN ARE THE PROPERTY OF SCHNEIDER ELECTRIC AND SHALL NOT BE COPIED, REPRODUCED OR USED IN WHOLE OR IN PART, AS THE BASIS FOR THE MANUFACTURE OR SALE OF ITEMS WITHOUT WRITTEN PERMISSION FROM SCHNEIDER ELECTRIC. THIS DRAWING IS BASED UPON LATEST AVAILABLE INFORMATION AND IS SUBJECT TO CHANGE WITHOUT NOTICE.



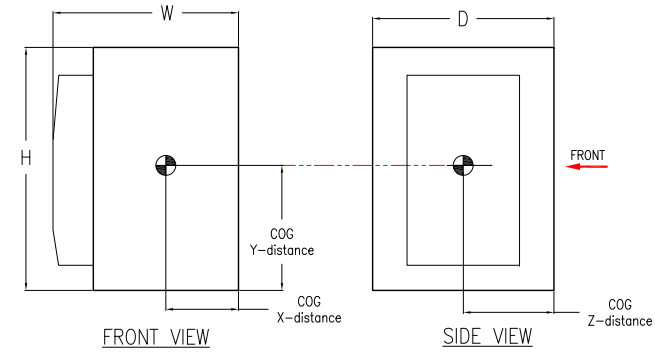
TITLE: NetShelter RX, 84U
2007H x 1524W x 1070D mm, W/LIGHTING
NEMA 4 INSULATED ENCLOSURE, DUAL BAY
GENERAL ARRANGEMENT-PLINTH
PROJECT: SUBMITTAL DRAWINGS SHEET 9 OF 10

DWG NO: AR5342-2B REV. 0
DRAWN BY: RANJITHA 02-AUG-23 FIRST ANGLE
ENGINEER: FARRUKH SYED 12-SEP-23 PROJECTION
APPROVED BY: KEVIN LEMKE 12-SEP-23

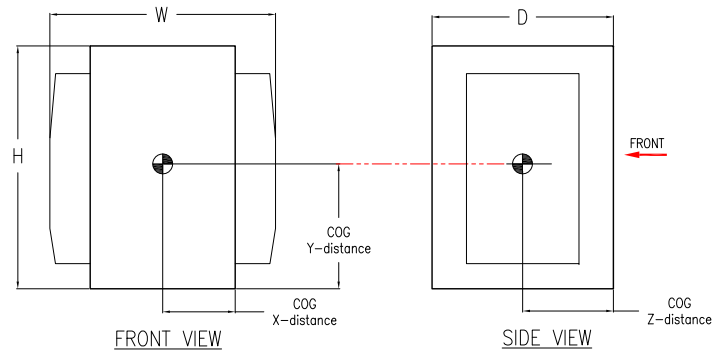
ENCLOSURE WITHOUT AIR CONDITIONER UNITS



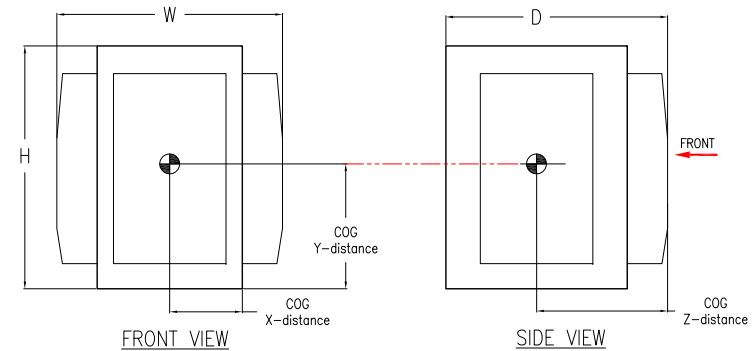
ENCLOSURE WITH ONE AIR CONDITIONER UNITS—LEFT SIDE



ENCLOSURE WITH TWO AIR CONDITIONER UNITS—LEFT SIDE AND RIGHT SIDE



ENCLOSURE WITH THREE AIR CONDITIONER UNITS—LEFT SIDE, RIGHT SIDE AND FRONT DOOR



WEIGHT, COG AND DIMENSIONAL DETAILS WITH AND WITHOUT OPTIONAL ACU (AIR CONDITIONER UNIT)

ENCLOSURE SKU	ACU SKU	CAPACITY Btu/Hr (kW)	QUANTITY OF ACU IN THE SOLUTION	WEIGHT (ENCLOSURE+PLINTH+ACU) kg [lb]		WEIGHT (ENCLOSURE ONLY) kg [lb]	SOLUTION DIMENSIONS mm [In.]			COG mm [In.]				
				6" PLINTH	12" PLINTH		H	W	D	X-Direction	Y-Direction (w/o Plinth)	Y-Direction (6 In. Plinth)	Y-Direction (12 In. Plinth)	Z-Direction
AR5342-2B	WITHOUT AIR CONDITIONER UNITS		0	293 [645]	313 [689]	280 [616]	2095 [82.47]	1549 [60.98]	1210 [47.64]	775 [30.5]	1047 [41.2]	1150 [45.3]	1272 [50.1]	605 [23.8]
	ACSC5231, ACSC5231-C, ACSC5232, ACSC5232-C	8K BTU/HR (2.3KW) 115V AND 230V	1 (ACU MOUNTED ON THE LEFT SIDE OF THE ENCLOSURE)	356 [783]	376 [827]	N/A	2095 [82.47]	1845 [72.63]	1210 [47.64]	943 [37.1]	1053 [41.4]	1164 [45.8]	1290 [50.8]	599 [23.6]
	ACSC5351, ACSC5351-C, ACSC5352, ACSC5352-C, ACSC5354DC, ACSC5354DC-C	12K BTU/HR (3.5KW) 115V AND 230V		357 [786]	377 [823]					937 [36.9]	1053 [41.4]	1164 [45.8]	1290 [50.8]	611 [24.1]
	ACSC5592, ACSC5592-C	20K BTU/HR (5.9KW) 230V		382 [841]	402 [885]					1009 [40]	1058 [41.7]	1172 [46.1]	1300 [51.2]	598 [23.5]
	ACSC5231, ACSC5231-C, ACSC5232, ACSC5232-C	8K BTU/HR (2.3KW) 115V AND 230V	2 (ACUS MOUNTED ON THE SIDES OF THE ENCLOSURE)	418 [920]	438 [964]		2095 [82.47]	2141 [84.3]	1210 [47.64]	775 [30.5]	1056 [41.6]	1173 [46.2]	1304 [51.3]	595 [23.4]
	ACSC5351, ACSC5351-C, ACSC5352, ACSC5352-C, ACSC5354DC, ACSC5354DC-C	12K BTU/HR (3.5KW) 115V AND 230V		421 [928]	441 [971]					775 [30.5]	1056 [41.6]	1174 [46.2]	1304 [51.3]	615 [24.2]
	ACSC5592, ACSC5592-C	20K BTU/HR (5.9KW) 230V		471 [1037]	491 [1081]					775 [30.5]	1065 [41.9]	1185 [46.7]	1318 [51.9]	592 [23.3]

NOTES:

1. INSTALLATION SHALL COMPLY WITH ALL APPLICABLE NATIONAL, STATE AND LOCAL ELECTRICAL REGULATIONS.
2. REFER TO PRODUCT DOCUMENTATION FOR ADDITIONAL DETAILS PRIOR TO LIFTING/MOVING/INSTALLING.
3. ALL DIMENSIONS ARE IN MILLIMETERS [INCHES].

THIS DRAWING AND SPECIFICATIONS HEREIN ARE THE PROPERTY OF SCHNEIDER ELECTRIC AND SHALL NOT BE COPIED, REPRODUCED OR USED IN WHOLE OR IN PART, AS THE BASIS FOR THE MANUFACTURE OR SALE OF ITEMS WITHOUT WRITTEN PERMISSION FROM SCHNEIDER ELECTRIC. THIS DRAWING IS BASED UPON LATEST AVAILABLE INFORMATION AND IS SUBJECT TO CHANGE WITHOUT NOTICE.



TITLE: NetShelter RX, 84U
 2007H x 1524W x 1070D mm, W/LIGHTING NEMA 4 INSULATED ENCLOSURE, DUAL BAY COG FOR DIFFERENT CONFIGURATIONS
 PROJECT: SUBMITTAL DRAWINGS SHEET 10 OF 10

DWG NO: AR5342-2B REV. 0
 DRAWN BY: RANJITHA 02-AUG-23 FIRST ANGLE PROJECTION
 ENGINEER: FARRUKH SYED 12-SEP-23
 APPROVED BY: KEVIN LEMKE 12-SEP-23