

NOTES:

1. INSTALLATION SHALL COMPLY WITH ALL APPLICABLE NATIONAL, STATE AND LOCAL ELECTRICAL REGULATIONS.
2. REFER TO PRODUCT DOCUMENTATION FOR ADDITIONAL DETAILS PRIOR TO INSTALLATION AND SITE PREPARATION WORK.
3. ALL DIMENSIONS ARE IN MILLIMETERS [INCHES].
4. FRONT AND REAR ACCESS REQUIRED FOR SERVICE. MINIMUM REQUIRED FRONT CLEARANCE IS 914 [36.0] & REAR CLEARANCE IS 203 [8].
5. NET WEIGHT OF THE UNIT IS 259kg [571 lb].
6. BOTTOM CABLE ENTRY USING APPROPRIATE CUSTOMER PROVIDED SOLUTION.
7. PROTECTION CLASS: IP2X.
8. COLOR: MAPLE.

CR/SKU#	VOLTAGE	APPLICABLE PDU
AR4038LA	120V	AP9562
AR4038LIA	230V	EPDU1016B

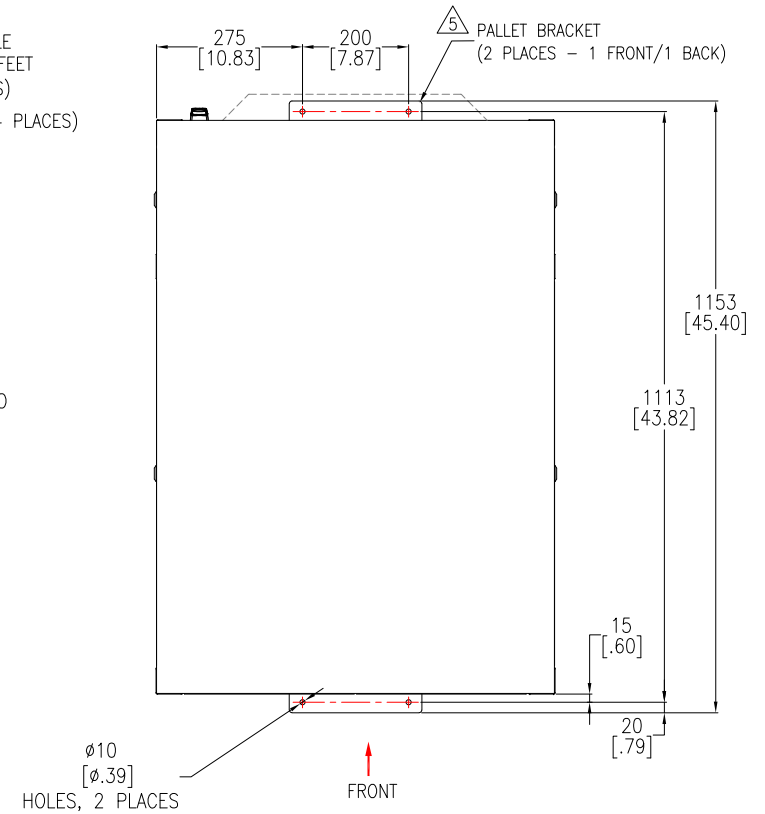
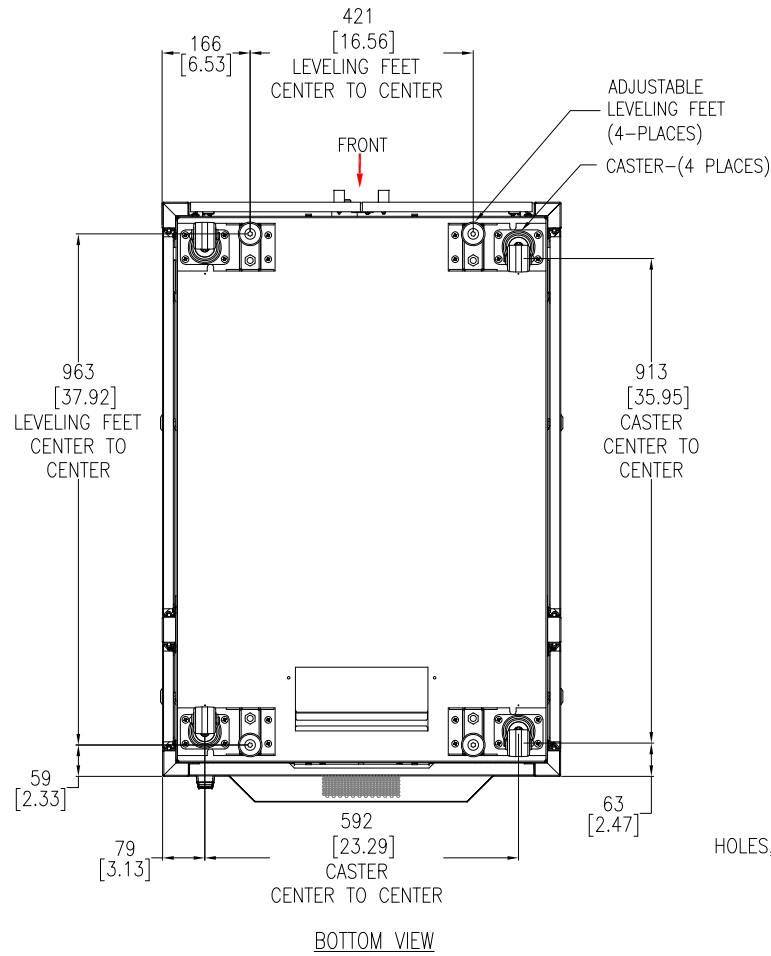
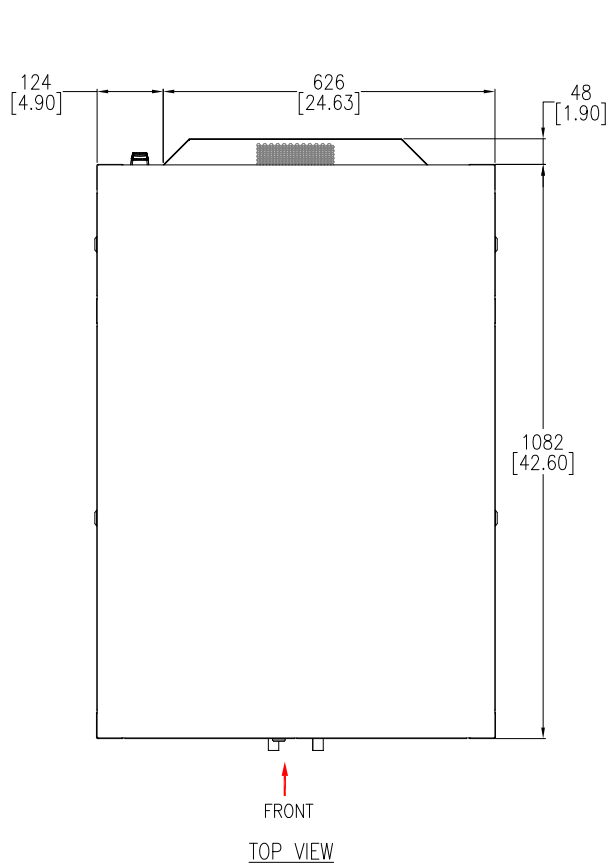
THIS DRAWING AND SPECIFICATIONS HEREIN ARE THE PROPERTY OF SCHNEIDER ELECTRIC AND SHALL NOT BE COPIED, REPRODUCED OR USED IN WHOLE OR IN PART, AS THE BASIS FOR THE MANUFACTURE OR SALE OF ITEMS WITHOUT WRITTEN PERMISSION FROM SCHNEIDER ELECTRIC. THIS DRAWING IS BASED UPON LATEST AVAILABLE INFORMATION AND IS SUBJECT TO CHANGE WITHOUT NOTICE.



TITLE: NETSHELTER SOUNDPROOF 38U 750mm Wide x 1130mm Deep SERVER RACK ENCLOSURE GENERAL ARRANGEMENT

PROJECT: SUBMITTAL DRAWINGS SHEET 1 OF 3

DWG NO: AR4038LA_AR4038LIA	REV: 0
DRAWN BY: ASHISH	31-MAY-23
ENGINEER: RICHARD PHILLIPS	07-JUN-23
APPROVED BY: JAKE ZIMMER	07-JUN-23
	FIRST ANGLE PROJECTION



- NOTES:
1. INSTALLATION SHALL COMPLY WITH ALL APPLICABLE NATIONAL, STATE AND LOCAL ELECTRICAL REGULATIONS.
 2. REFER TO PRODUCT DOCUMENTATION FOR ADDITIONAL DETAILS PRIOR TO INSTALLATION AND SITE PREPARATION WORK.
 3. ALL DIMENSIONS ARE IN MILLIMETERS [INCHES].
 4. FRONT DOOR SWING IS 160° AND REAR DOOR SWING IS 120°.
- △ RACK CAN BE SECURED TO THE FLOOR BY REUSING THE PALLET BRACKETS AND IS OPTIONAL.
M8x25 (4 NOS) BOLTS FOR FIXATION ARE NOT PROVIDED & TO BE PROCURED SEPARATELY.

THIS DRAWING AND SPECIFICATIONS HEREIN ARE THE PROPERTY OF SCHNEIDER ELECTRIC AND SHALL NOT BE COPIED, REPRODUCED OR USED IN WHOLE OR IN PART, AS THE BASIS FOR THE MANUFACTURE OR SALE OF ITEMS WITHOUT WRITTEN PERMISSION FROM SCHNEIDER ELECTRIC. THIS DRAWING IS BASED UPON LATEST AVAILABLE INFORMATION AND IS SUBJECT TO CHANGE WITHOUT NOTICE.

Schneider Electric

TITLE:
NETSHELTER SOUNDPROOF 38U
750mm Wide x 1130mm Deep
SERVER RACK ENCLOSURE
TOP & BOTTOM VIEWS

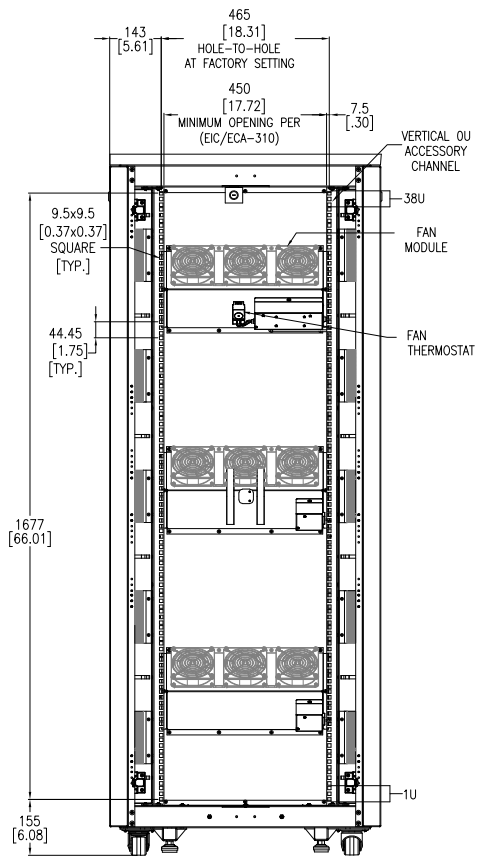
DWG NO: AR4038LA_AR4038LIA REV. 0

DRAWN BY: ASHISH 31-MAY-23 FIRST

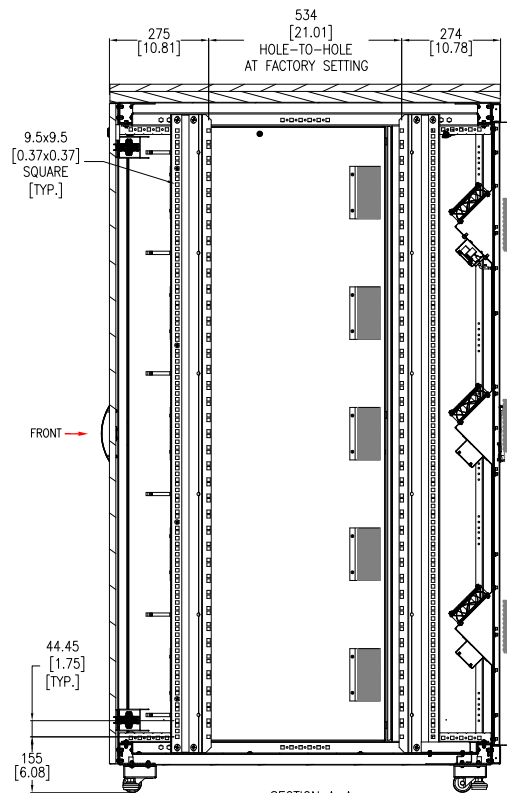
ENGINEER: RICHARD PHILLIPS 07-JUN-23 ANGLE

PROJECT: SUBMITTAL DRAWINGS SHEET 2 OF 3

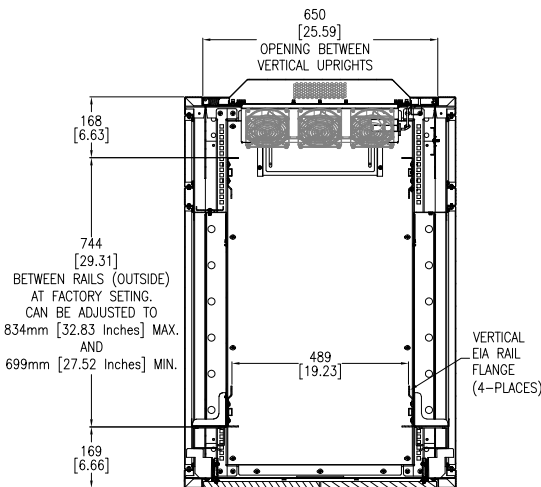
APPROVED BY: JAKE ZIMMER 07-JUN-23 PROJECTION



INTERNAL FRONT VIEW
(DOORS NOT SHOWN)



SECTION A-A



FRONT
SECTION B-B

- NOTES:
1. INSTALLATION SHALL COMPLY WITH ALL APPLICABLE NATIONAL, STATE AND LOCAL ELECTRICAL REGULATIONS.
 2. REFER TO PRODUCT DOCUMENTATION FOR ADDITIONAL DETAILS PRIOR TO INSTALLATION AND SITE PREPARATION WORK.
 3. ALL DIMENSIONS ARE IN MILLIMETERS [INCHES].

THIS DRAWING AND SPECIFICATIONS HEREIN ARE THE PROPERTY OF SCHNEIDER ELECTRIC AND SHALL NOT BE COPIED, REPRODUCED OR USED IN WHOLE OR IN PART, AS THE BASIS FOR THE MANUFACTURE OR SALE OF ITEMS WITHOUT WRITTEN PERMISSION FROM SCHNEIDER ELECTRIC. THIS DRAWING IS BASED UPON LATEST AVAILABLE INFORMATION AND IS SUBJECT TO CHANGE WITHOUT NOTICE.



TITLE:
NETSHELTER SOUNDPROOF 38U
750mm Wide x 1130mm Deep
SERVER RACK ENCLOSURE
INTERNAL & SECTION VIEWS

PROJECT: SUBMITTAL DRAWINGS SHEET 3 OF 3

DWG NO: AR4038LA_AR4038LIA REV. 0

DRAWN BY: ASHISH 31-MAY-23

ENGINEER: RICHARD PHILLIPS 07-JUN-23

APPROVED BY: JAKE ZIMMER 07-JUN-23

FIRST

ANGLE

PROJECTION