

NOTES:

1. INSTALLATION SHALL COMPLY WITH ALL APPLICABLE NATIONAL, STATE AND LOCAL ELECTRICAL REGULATIONS.
2. REFER TO PRODUCT DOCUMENTATION FOR ADDITIONAL DETAILS PRIOR TO INSTALLATION AND SITE PREPARATION WORK.
3. ALL DIMENSIONS ARE IN MILLIMETERS [INCHES].
4. FRONT AND REAR ACCESS REQUIRED FOR SERVICE. MINIMUM REQUIRED FRONT CLEARANCE IS 914 [36.0] & REAR CLEARANCE IS 203 [8] .
5. NET WEIGHT OF THE UNIT IS 216kg [476.2 lb].
6. BOTTOM CABLE ENTRY USING APPROPRIATE CUSTOMER PROVIDED SOLUTION.
7. PROTECTION CLASS: IP2X.
8. COLOR: MAPLE.

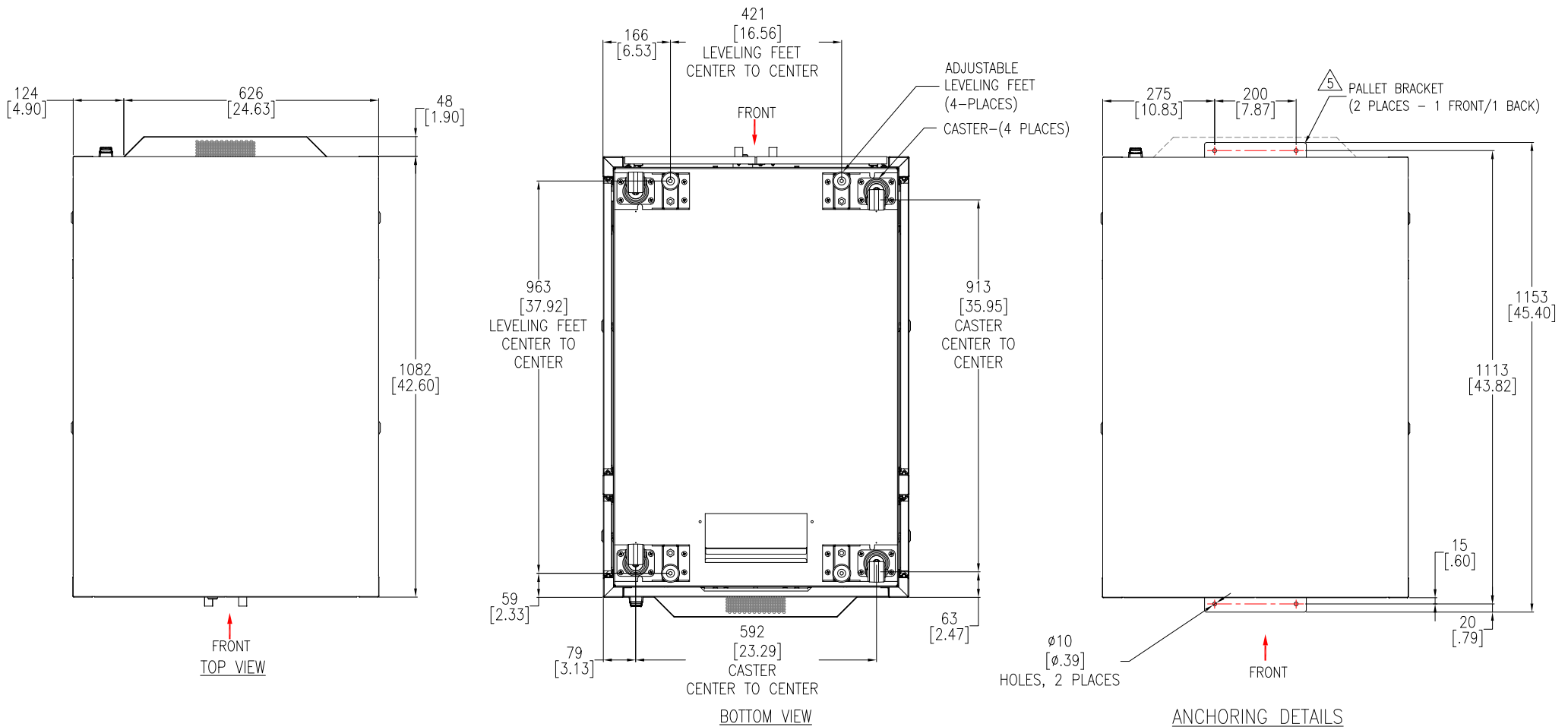
THIS DRAWING AND SPECIFICATIONS HEREIN ARE THE PROPERTY OF SCHNEIDER ELECTRIC AND SHALL NOT BE COPIED, REPRODUCED OR USED IN WHOLE OR IN PART, AS THE BASIS FOR THE MANUFACTURE OR SALE OF ITEMS WITHOUT WRITTEN PERMISSION FROM SCHNEIDER ELECTRIC. THIS DRAWING IS BASED UPON LATEST AVAILABLE INFORMATION AND IS SUBJECT TO CHANGE WITHOUT NOTICE.



TITLE: NETSHELTER SOUNDPROOF 32U 750mm Wide x 1130mm Deep SERVER RACK ENCLOSURE GENERAL ARRANGEMENT
 PROJECT: SUBMITTAL DRAWINGS SHEET 1 OF 3

DWG NO:	AR4032A_AR4032IA		REV:	0
DRAWN BY:	ASHISH	31-MAY-23	FIRST ANGLE PROJECTION	
ENGINEER:	RICHARD PHILLIPS	07-JUN-23		
APPROVED BY:	JAKE ZIMMER	07-JUN-23		

CR/SKU#	VOLTAGE	APPLICABLE PDU
AR4032A	120V	AP9562
AR4032IA	230V	EPDU1016B



FRONT
TOP VIEW

BOTTOM VIEW

ANCHORING DETAILS
VIEW LOOKING FROM TOP
WITH PALLET BRACKETS FOR ANCHORING
(SOME COMPONENTS ARE NOT SHOW FOR CLARITY)

- NOTES:
1. INSTALLATION SHALL COMPLY WITH ALL APPLICABLE NATIONAL, STATE AND LOCAL ELECTRICAL REGULATIONS.
 2. REFER TO PRODUCT DOCUMENTATION FOR ADDITIONAL DETAILS PRIOR TO INSTALLATION AND SITE PREPARATION WORK.
 3. ALL DIMENSIONS ARE IN MILLIMETERS [INCHES].
 4. FRONT DOOR SWING IS 160° AND REAR DOOR SWING IS 120°.
- ⚠ RACK CAN BE SECURED TO THE FLOOR BY REUSING THE PALLET BRACKETS AND IS OPTIONAL.
M8x25 (4 NOS) BLOTS FOR FIXATION ARE NOT PROVIDED & TO BE PROCURED SEPARATELY.

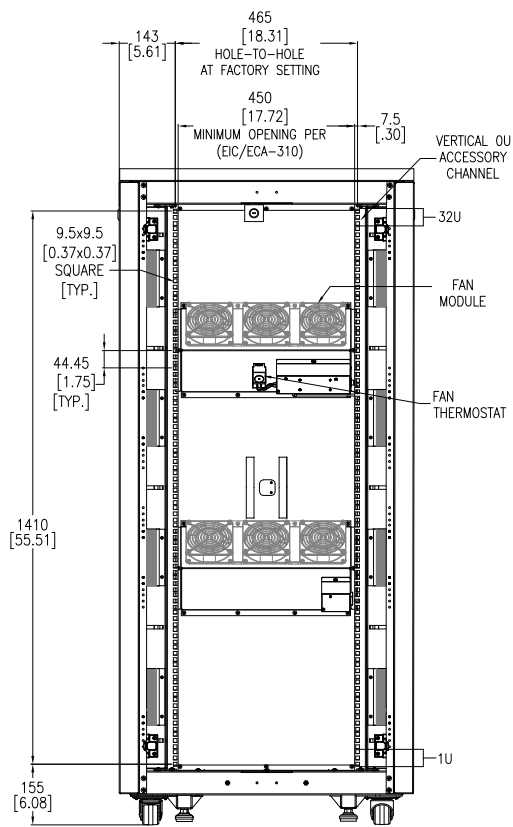
THIS DRAWING AND SPECIFICATIONS HEREIN ARE THE PROPERTY OF SCHNEIDER ELECTRIC AND SHALL NOT BE COPIED, REPRODUCED OR USED IN WHOLE OR IN PART, AS THE BASIS FOR THE MANUFACTURE OR SALE OF ITEMS WITHOUT WRITTEN PERMISSION FROM SCHNEIDER ELECTRIC. THIS DRAWING IS BASED UPON LATEST AVAILABLE INFORMATION AND IS SUBJECT TO CHANGE WITHOUT NOTICE.



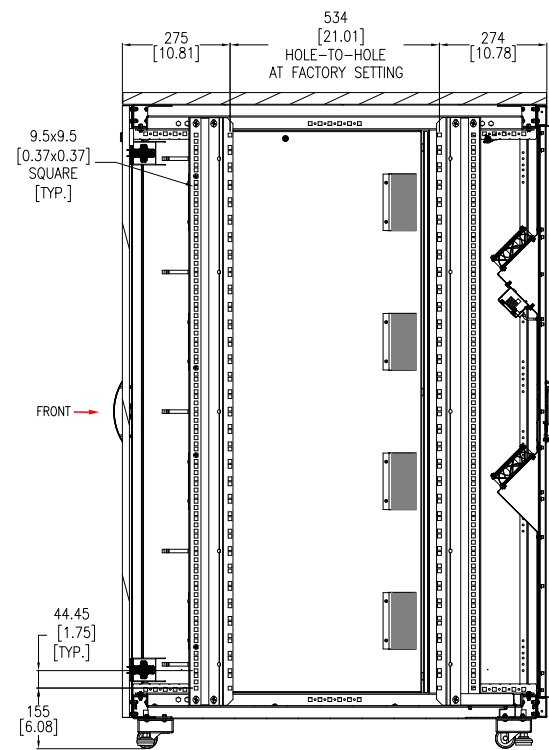
TITLE: NETSHELTER SOUNDPROOF 32U
750mm Wide x 1130mm Deep
SERVER RACK ENCLOSURE
TOP & BOTTOM VIEWS

DWG NO: AR4032A_AR4032IA
DRAWN BY: ASHISH 31-MAY-23
ENGINEER: RICHARD PHILLIPS 07-JUN-23
APPROVED BY: JAKE ZIMMER 07-JUN-23

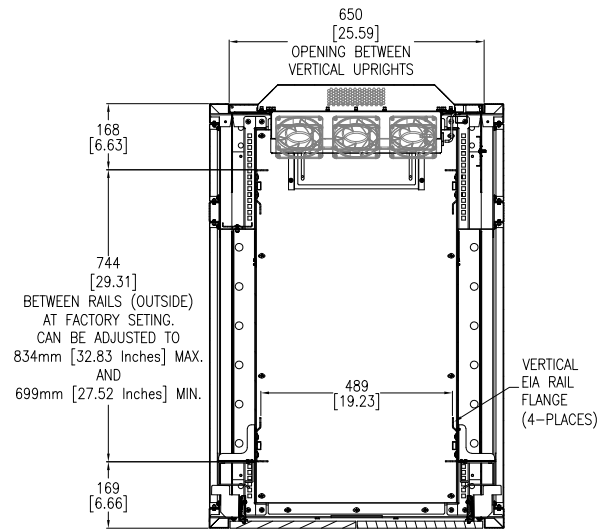
REV: 0
FIRST ANGLE PROJECTION



INTERNAL FRONT VIEW
(DOORS NOT SHOWN)



SECTION A-A



FRONT
SECTION B-B

- NOTES:
1. INSTALLATION SHALL COMPLY WITH ALL APPLICABLE NATIONAL, STATE AND LOCAL ELECTRICAL REGULATIONS.
 2. REFER TO PRODUCT DOCUMENTATION FOR ADDITIONAL DETAILS PRIOR TO INSTALLATION AND SITE PREPARATION WORK.
 3. ALL DIMENSIONS ARE IN MILLIMETERS [INCHES].

THIS DRAWING AND SPECIFICATIONS HEREIN ARE THE PROPERTY OF SCHNEIDER ELECTRIC AND SHALL NOT BE COPIED, REPRODUCED OR USED IN WHOLE OR IN PART, AS THE BASIS FOR THE MANUFACTURE OR SALE OF ITEMS WITHOUT WRITTEN PERMISSION FROM SCHNEIDER ELECTRIC. THIS DRAWING IS BASED UPON LATEST AVAILABLE INFORMATION AND IS SUBJECT TO CHANGE WITHOUT NOTICE.



TITLE:
NETSHELTER SOUNDPROOF 32U
750mm Wide x 1130mm Deep
SERVER RACK ENCLOSURE
INTERNAL & SECTION VIEWS

PROJECT: SUBMITTAL DRAWINGS SHEET 3 OF 3

DWG NO: AR4032A_AR4032IA REV. 0

DRAWN BY: ASHISH 31-MAY-23

ENGINEER: RICHARD PHILLIPS 07-JUN-23

APPROVED BY: JAKE ZIMMER 07-JUN-23

FIRST ANGLE PROJECTION