

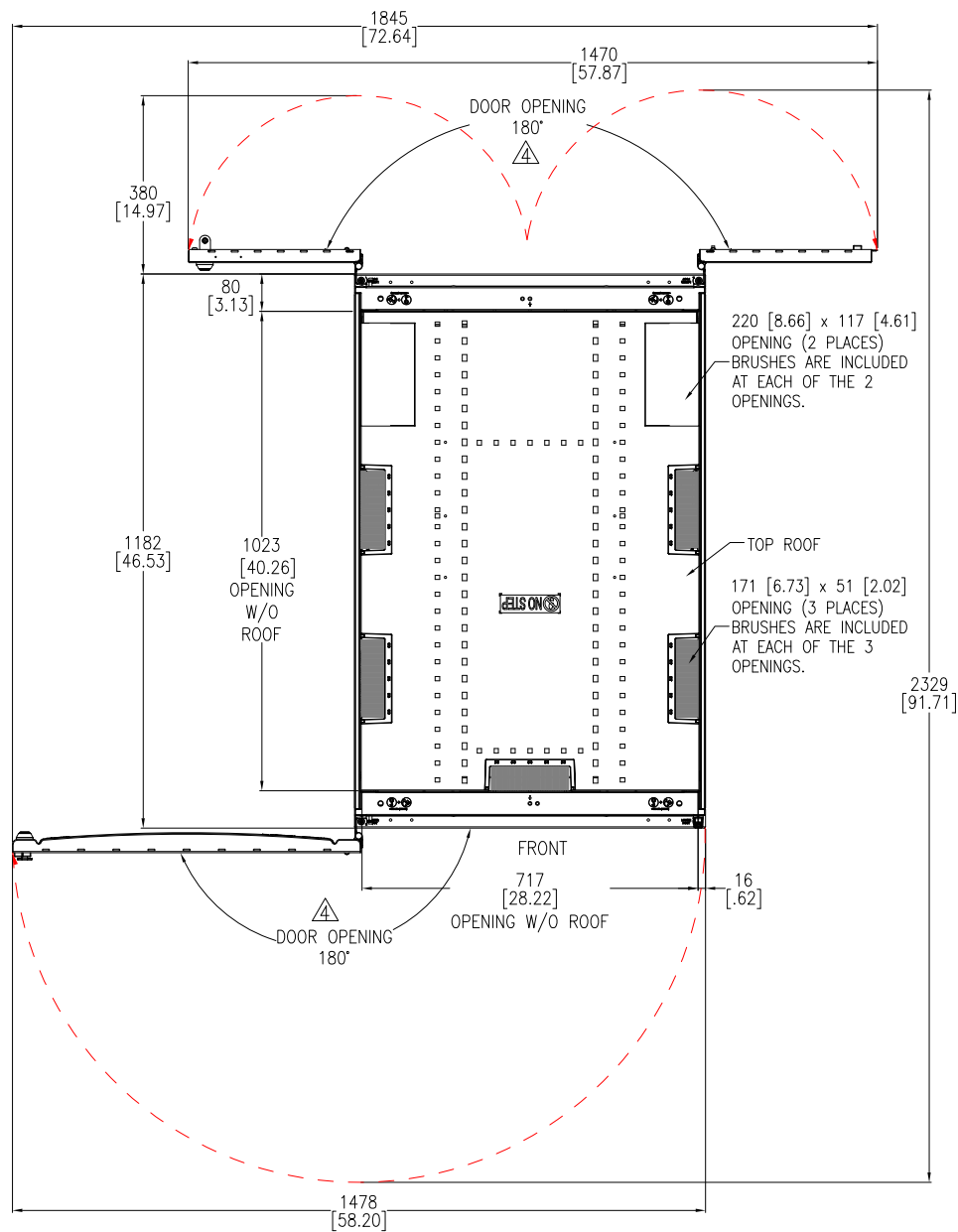
**NOTES:**

1. INSTALLATION SHALL COMPLY WITH ALL APPLICABLE NATIONAL, STATE AND LOCAL ELECTRICAL REGULATIONS.
2. REFER TO PRODUCT DOCUMENTATION FOR ADDITIONAL DETAILS PRIOR TO INSTALLATION AND SITE PREPARATION WORK.
3. ALL DIMENSIONS ARE IN MILLIMETERS [INCHES].
4. FRONT AND REAR ACCESS REQUIRED FOR SERVICE. MINIMUM REQUIRED FRONT/REAR CLEARANCE IS 914 [36.0].
5. NET WEIGHT OF THE UNIT IS 188.2 kg [414.9 lb].
6. TOP AND BOTTOM CABLE ENTRY USING APPROPRIATE CUSTOMER PROVIDED SOLUTION.
7. AIR FLOW AND SERVICE REQUIREMENTS, AS WELL AS MINIMUM CLEARANCE TO FIRE SUPPRESSION SYSTEMS SHOULD BE CONSIDERED WHEN LOCATING THE ENCLOSURE.
8. PROTECTION CLASS: IP20.
9. COLOR: RAL 9005 BLACK.

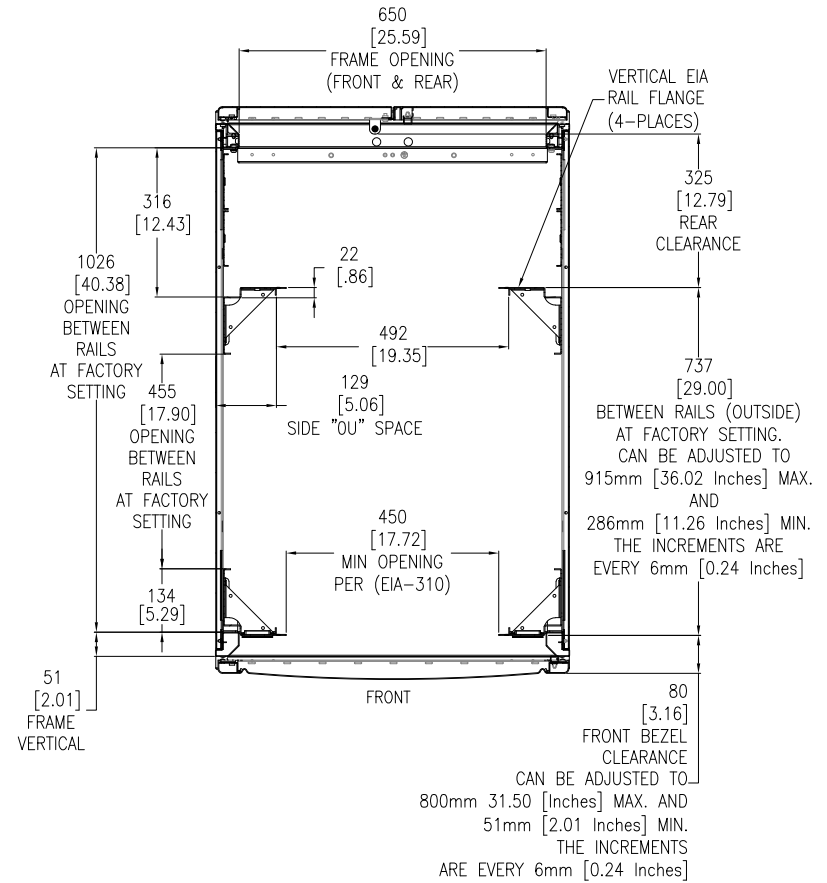
THIS DRAWING AND SPECIFICATIONS HEREIN ARE THE PROPERTY OF SCHNEIDER ELECTRIC AND SHALL NOT BE COPIED, REPRODUCED OR USED IN WHOLE OR IN PART, AS THE BASIS FOR THE MANUFACTURE OR SALE OF ITEMS WITHOUT WRITTEN PERMISSION FROM SCHNEIDER ELECTRIC. THIS DRAWING IS BASED UPON LATEST AVAILABLE INFORMATION AND IS SUBJECT TO CHANGE WITHOUT NOTICE.



TITLE: APC NetShelter SX SERVER RACK GEN 2 48U, 750mm WIDE x 1200mm DEEP PERFORATED DOOR GENERAL ARRANGEMENT	DWG NO: AR3357B2	REV: 0
PROJECT: SUBMITTAL DRAWINGS SHEET 1 OF 4	APPROVED BY: KIRK SHI	18-MAR-24
	ENGINEER: KIRK SHI	18-MAR-24
	DRAWN BY: ASHISH/JAYAPRAKASH	07-MAR-24
		FIRST ANGLE PROJECTION



TOP VIEW  
(BOTH DOORS IN MAXIMUM OPENED POSITION)



SECTION B-B  
STANDARD POSITIONS FOR MOUNTING RAILS AND THEIR ADJUSTABILITY (LOOKING DOWN)

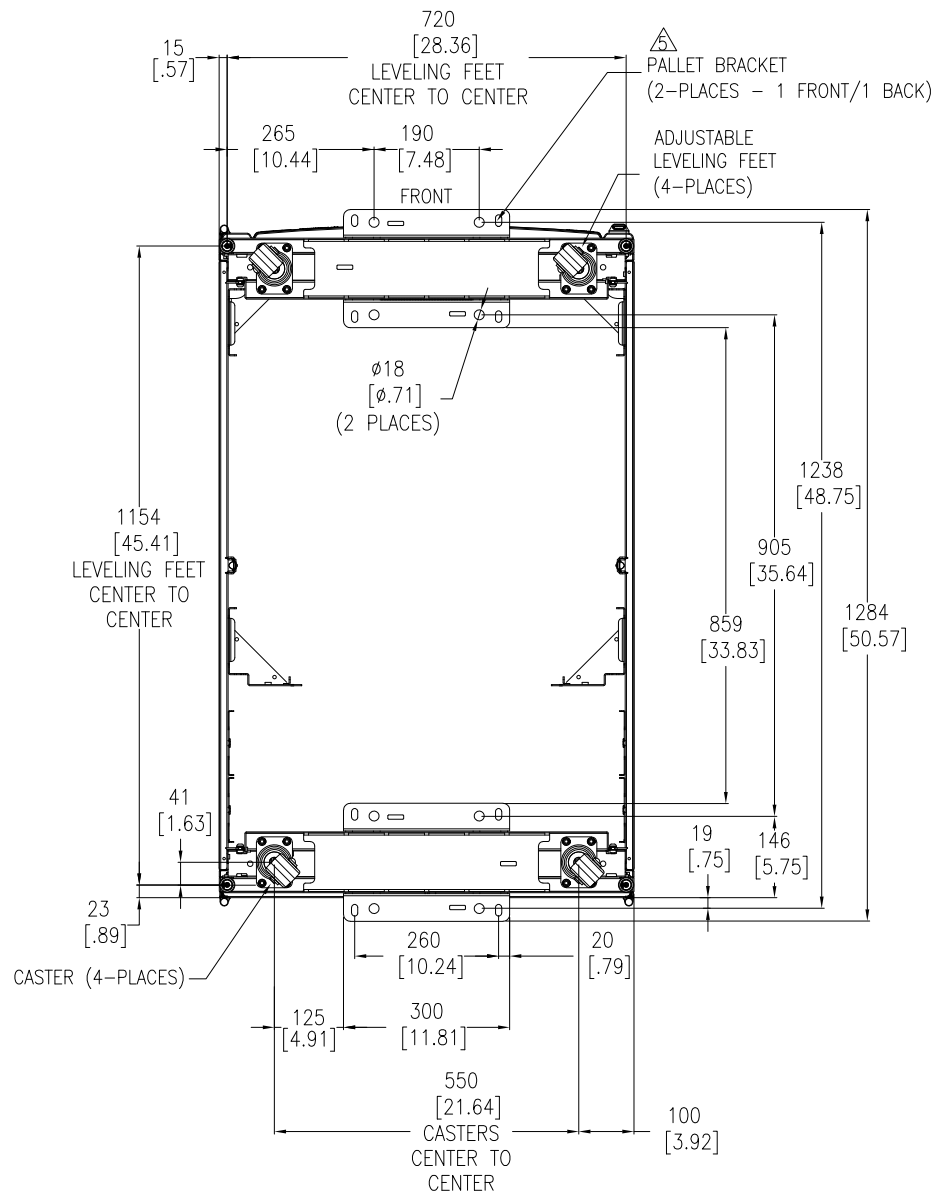
- NOTES:
1. INSTALLATION SHALL COMPLY WITH ALL APPLICABLE NATIONAL, STATE AND LOCAL ELECTRICAL REGULATIONS.
  2. REFER TO PRODUCT DOCUMENTATION FOR ADDITIONAL DETAILS PRIOR TO INSTALLATION AND SITE PREPARATION WORK.
  3. ALL DIMENSIONS ARE IN MILLIMETERS [INCHES].
  4. FRONT AND REAR DOOR OPENING SHOWN IS 180°. MAXIMUM DOOR SWING CAN BE UP TO 266°.
  5. SOME STRUCTURAL DETAILS HAVE BEEN OMITTED FOR THE PURPOSE OF CLARITY.

THIS DRAWING AND SPECIFICATIONS HEREIN ARE THE PROPERTY OF SCHNEIDER ELECTRIC AND SHALL NOT BE COPIED, REPRODUCED OR USED IN WHOLE OR IN PART, AS THE BASIS FOR THE MANUFACTURE OR SALE OF ITEMS WITHOUT WRITTEN PERMISSION FROM SCHNEIDER ELECTRIC. THIS DRAWING IS BASED UPON LATEST AVAILABLE INFORMATION AND IS SUBJECT TO CHANGE WITHOUT NOTICE.

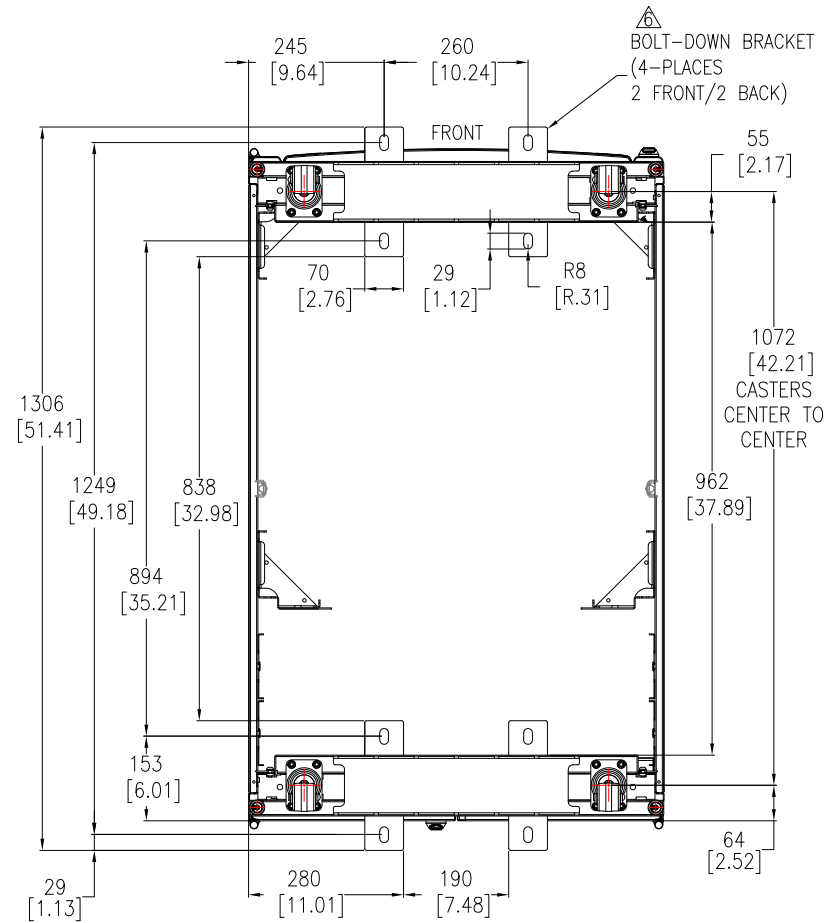


TITLE: APC NetShelter SX SERVER RACK GEN 2  
48U, 750mm WIDE x 1200mm DEEP  
PERFORATED DOOR  
TOP & SECTION VIEWS  
PROJECT: SUBMITTAL DRAWINGS SHEET 2 OF 4

DWG NO: AR3357B2  
DRAWN BY: ASHISH/JAYAPRAKASH  
ENGINEER: KIRK SHI  
APPROVED BY: KIRK SHI  
07-MAR-24  
18-MAR-24  
18-MAR-24  
REV. 0  
FIRST ANGLE PROJECTION



**BOTTOM VIEW**  
 (WITH PALLET BRACKETS, CAN BE USED FOR ANCHORING)  
 TOP ROOF NOT SHOWN



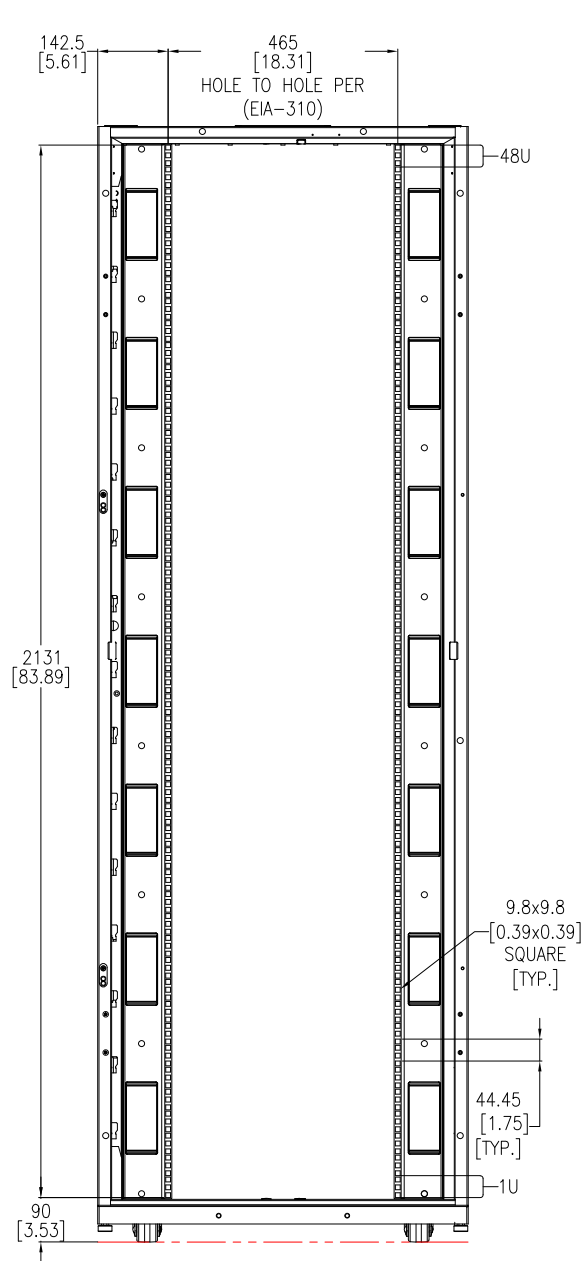
**BOTTOM VIEW**  
 (WITH OPTIONAL BOLT-DOWN BRACKETS FOR ANCHORING)  
 TOP ROOF NOT SHOWN

- NOTES:**
1. INSTALLATION SHALL COMPLY WITH ALL APPLICABLE NATIONAL, STATE AND LOCAL ELECTRICAL REGULATIONS.
  2. REFER TO PRODUCT DOCUMENTATION FOR ADDITIONAL DETAILS PRIOR TO INSTALLATION AND SITE PREPARATION WORK.
  3. ALL DIMENSIONS ARE IN MILLIMETERS [INCHES].
  4. SOME STRUCTURAL DETAILS HAVE BEEN OMITTED FOR THE PURPOSE OF CLARITY.
- △ ANCHORING CAN BE INSTALLED EITHER INSIDE OR OUTSIDE THE NetShelter WITH ONE AT FRONT AND ONE IN BACK.
- △ BOLT-DOWN KIT (SKU# AR7701) IS OPTIONAL AND HAS TO BE ORDERED SEPARATELY.

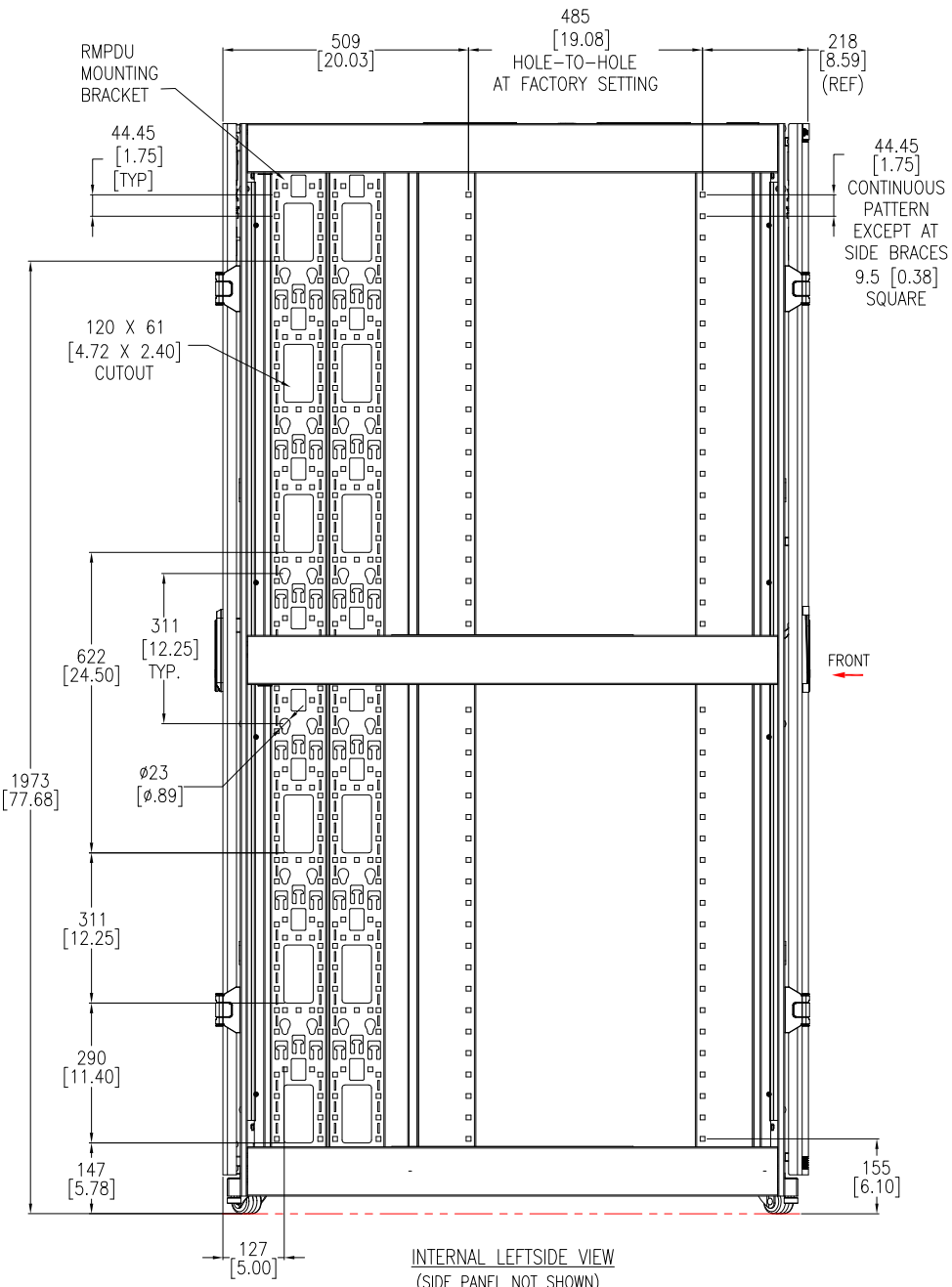
THIS DRAWING AND SPECIFICATIONS HEREIN ARE THE PROPERTY OF SCHNEIDER ELECTRIC AND SHALL NOT BE COPIED, REPRODUCED OR USED IN WHOLE OR IN PART, AS THE BASIS FOR THE MANUFACTURE OR SALE OF ITEMS WITHOUT WRITTEN PERMISSION FROM SCHNEIDER ELECTRIC. THIS DRAWING IS BASED UPON LATEST AVAILABLE INFORMATION AND IS SUBJECT TO CHANGE WITHOUT NOTICE.



TITLE: APC NetShelter SX SERVER RACK GEN 2 48U, 750mm WIDE x 1200mm DEEP PERFORATED DOOR INTERNAL & SECTION VIEWS	DWG NO: AR3357B2	REV: 0
PROJECT: SUBMITTAL DRAWINGS SHEET 3 OF 4	DRAWN BY: ASHISH/JAYAPRAKASH ENGINEER: KIRK SHI APPROVED BY: KIRK SHI	07-MAR-24 18-MAR-24 18-MAR-24
		FIRST ANGLE PROJECTION



INTERNAL FRONT VIEW  
(DOORS NOT SHOWN)



INTERNAL LEFTSIDE VIEW  
(SIDE PANEL NOT SHOWN)

- NOTES:
1. INSTALLATION SHALL COMPLY WITH ALL APPLICABLE NATIONAL, STATE AND LOCAL ELECTRICAL REGULATIONS.
  2. REFER TO PRODUCT DOCUMENTATION FOR ADDITIONAL DETAILS PRIOR TO INSTALLATION AND SITE PREPARATION WORK.
  3. ALL DIMENSIONS ARE IN MILLIMETERS [INCHES].
  4. SOME STRUCTURAL DETAILS HAVE BEEN OMITTED FOR THE PURPOSE OF CLARITY.

THIS DRAWING AND SPECIFICATIONS HEREIN ARE THE PROPERTY OF SCHNEIDER ELECTRIC AND SHALL NOT BE COPIED, REPRODUCED OR USED IN WHOLE OR IN PART, AS THE BASIS FOR THE MANUFACTURE OR SALE OF ITEMS WITHOUT WRITTEN PERMISSION FROM SCHNEIDER ELECTRIC. THIS DRAWING IS BASED UPON LATEST AVAILABLE INFORMATION AND IS SUBJECT TO CHANGE WITHOUT NOTICE.



TITLE: APC NetShelter SX SERVER RACK GEN 2 48U, 750mm WIDE x 1200mm DEEP PERFORATED DOOR INTERNAL VIEWS	DWG NO: AR3357B2	REV: 0
PROJECT: SUBMITTAL DRAWINGS SHEET 4 OF 4	DRAWN BY: ASHISH/JAYAPRAKASH ENGINEER: KIRK SHI	07-MAR-24 18-MAR-24
	APPROVED BY: KIRK SHI	18-MAR-24
		FIRST ANGLE PROJECTION