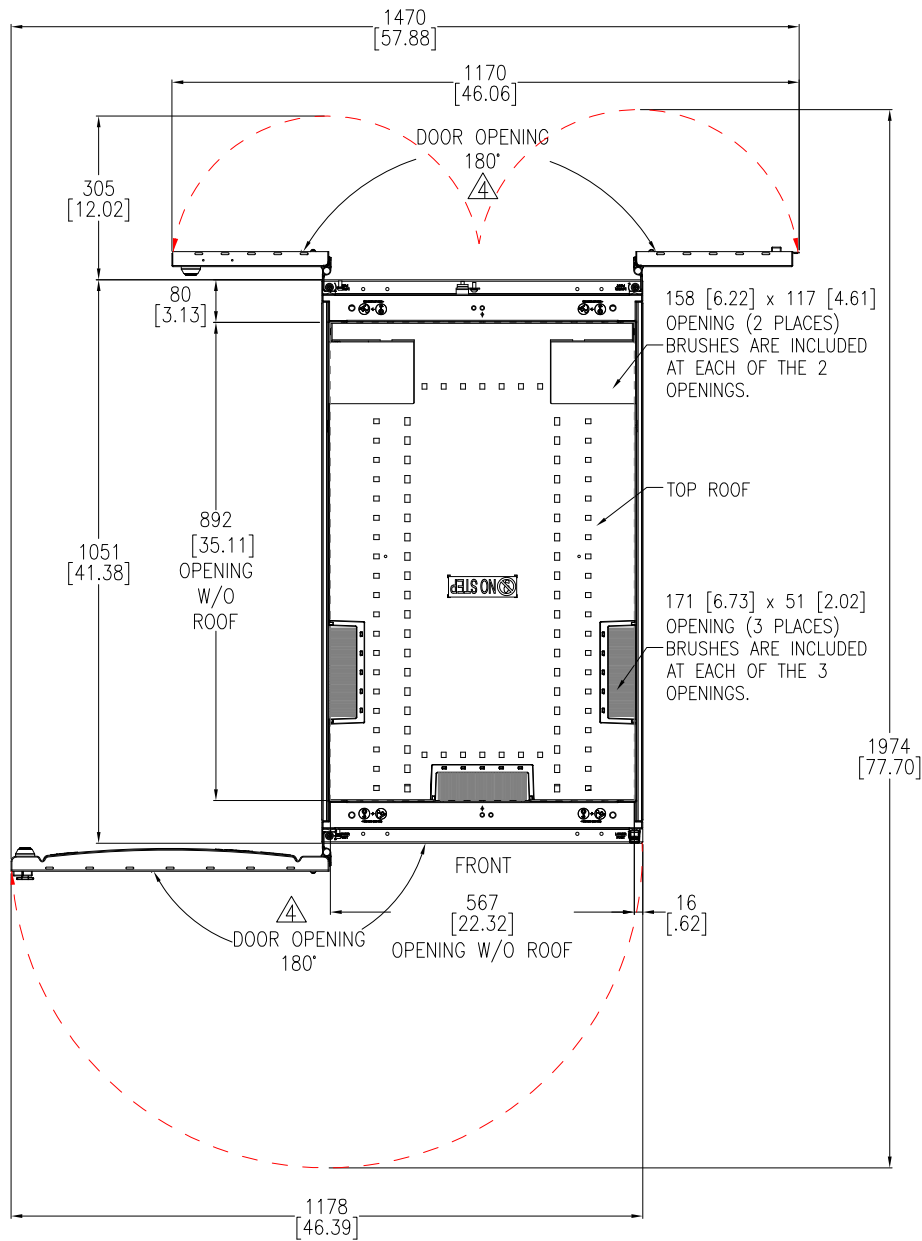


- NOTES:**
- INSTALLATION SHALL COMPLY WITH ALL APPLICABLE NATIONAL, STATE AND LOCAL ELECTRICAL REGULATIONS.
 - REFER TO PRODUCT DOCUMENTATION FOR ADDITIONAL DETAILS PRIOR TO INSTALLATION AND SITE PREPARATION WORK.
 - ALL DIMENSIONS ARE IN MILLIMETERS [INCHES].
 - FRONT AND REAR ACCESS REQUIRED FOR SERVICE. MINIMUM REQUIRED FRONT/REAR CLEARANCE IS 914 [36.0].
 - NET WEIGHT OF THE UNIT IS 137.4 kg [302.9 lb].
 - TOP AND BOTTOM CABLE ENTRY USING APPROPRIATE CUSTOMER PROVIDED SOLUTION.
 - AIR FLOW AND SERVICE REQUIREMENTS, AS WELL AS MINIMUM CLEARANCE TO FIRE SUPPRESSION SYSTEMS SHOULD BE CONSIDERED WHEN LOCATING THE ENCLOSURE.
 - PROTECTION CLASS: IP20.
 - COLOR: RAL 9005 BLACK.

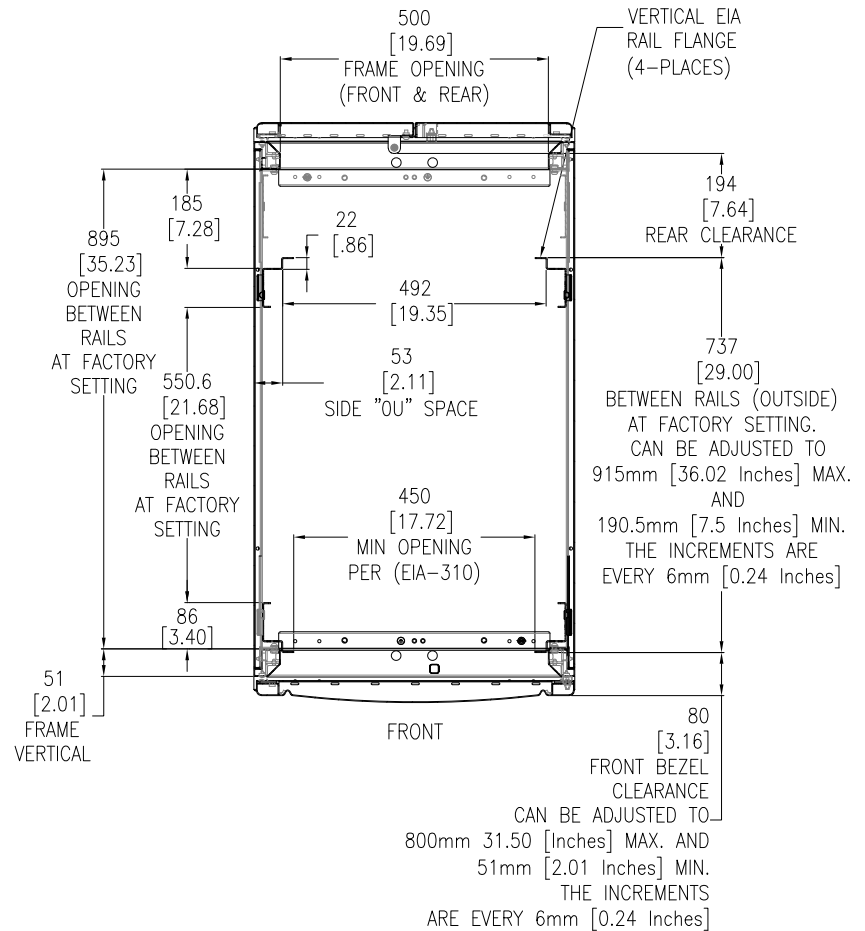
THIS DRAWING AND SPECIFICATIONS HEREIN ARE THE PROPERTY OF SCHNEIDER ELECTRIC AND SHALL NOT BE COPIED, REPRODUCED OR USED IN WHOLE OR IN PART, AS THE BASIS FOR THE MANUFACTURE OR SALE OF ITEMS WITHOUT WRITTEN PERMISSION FROM SCHNEIDER ELECTRIC. THIS DRAWING IS BASED UPON LATEST AVAILABLE INFORMATION AND IS SUBJECT TO CHANGE WITHOUT NOTICE.

Schneider Electric

TITLE: APC NetShelter SX SERVER RACK GEN 2 45U, 600mm WIDE x 1070mm DEEP PERFORATED DOOR GENERAL ARRANGEMENT	DWG NO: AR3105B2	REV: 0
PROJECT: SUBMITTAL DRAWINGS SHEET 1 OF 4	DRAWN BY: ASHISH/JAYAPRAKASH ENGINEER: KIRK SHI	04-MAR-24 18-MAR-24 18-MAR-24
	APPROVED BY: KIRK SHI	FIRST ANGLE PROJECTION



TOP VIEW
(BOTH DOORS IN MAXIMUM OPENED POSITION)



SECTION B-B
STANDARD POSITIONS FOR MOUNTING RAILS AND THEIR ADJUSTABILITY (LOOKING DOWN)

- NOTES:
1. INSTALLATION SHALL COMPLY WITH ALL APPLICABLE NATIONAL, STATE AND LOCAL ELECTRICAL REGULATIONS.
 2. REFER TO PRODUCT DOCUMENTATION FOR ADDITIONAL DETAILS PRIOR TO INSTALLATION AND SITE PREPARATION WORK.
 3. ALL DIMENSIONS ARE IN MILLIMETERS [INCHES].
 4. FRONT AND REAR DOOR OPENING SHOWN IS 180°. MAXIMUM DOOR SWING CAN BE UP TO 266°.
 5. SOME STRUCTURAL DETAILS HAVE BEEN OMITTED FOR THE PURPOSE OF CLARITY.

THIS DRAWING AND SPECIFICATIONS HEREIN ARE THE PROPERTY OF SCHNEIDER ELECTRIC AND SHALL NOT BE COPIED, REPRODUCED OR USED IN WHOLE OR IN PART, AS THE BASIS FOR THE MANUFACTURE OR SALE OF ITEMS WITHOUT WRITTEN PERMISSION FROM SCHNEIDER ELECTRIC. THIS DRAWING IS BASED UPON LATEST AVAILABLE INFORMATION AND IS SUBJECT TO CHANGE WITHOUT NOTICE.

Schneider Electric

TITLE: APC NetShelter SX SERVER RACK GEN 2
45U, 600mm WIDE x 1070mm DEEP
PERFORATED DOOR
TOP & SECTION VIEWS

DWG NO: AR3105B2

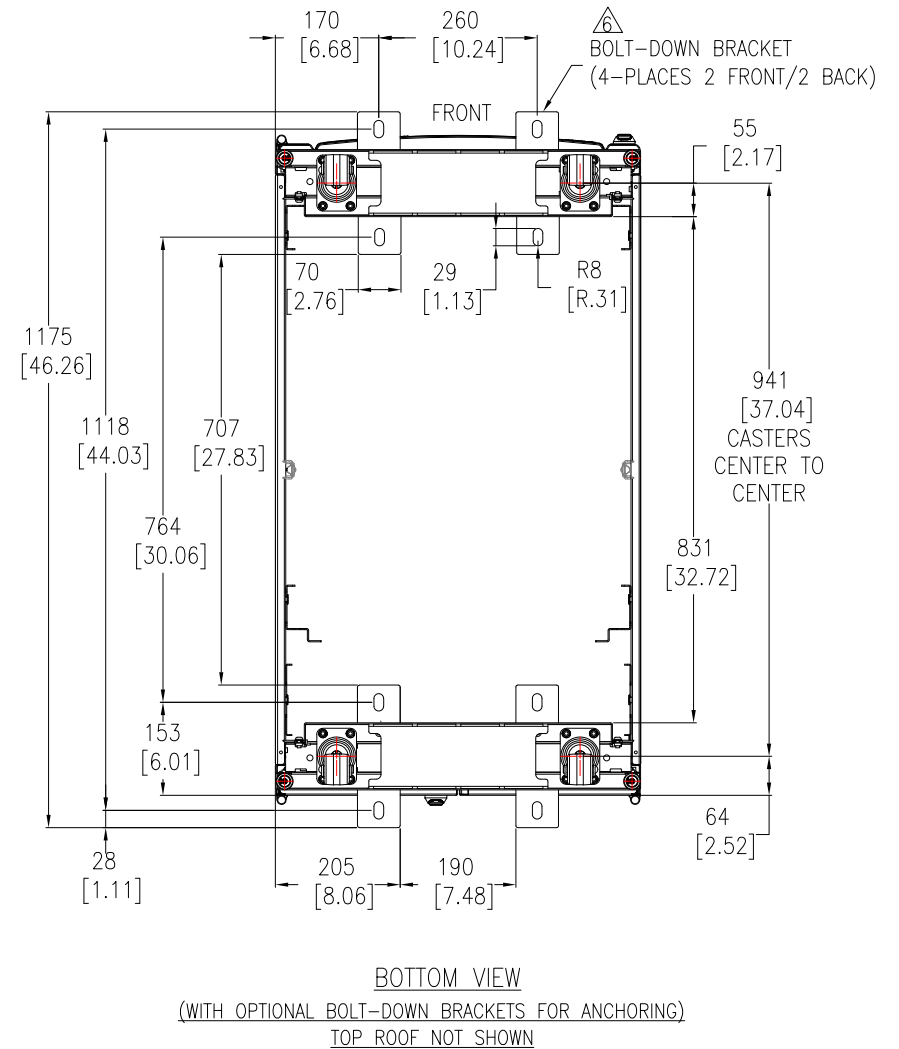
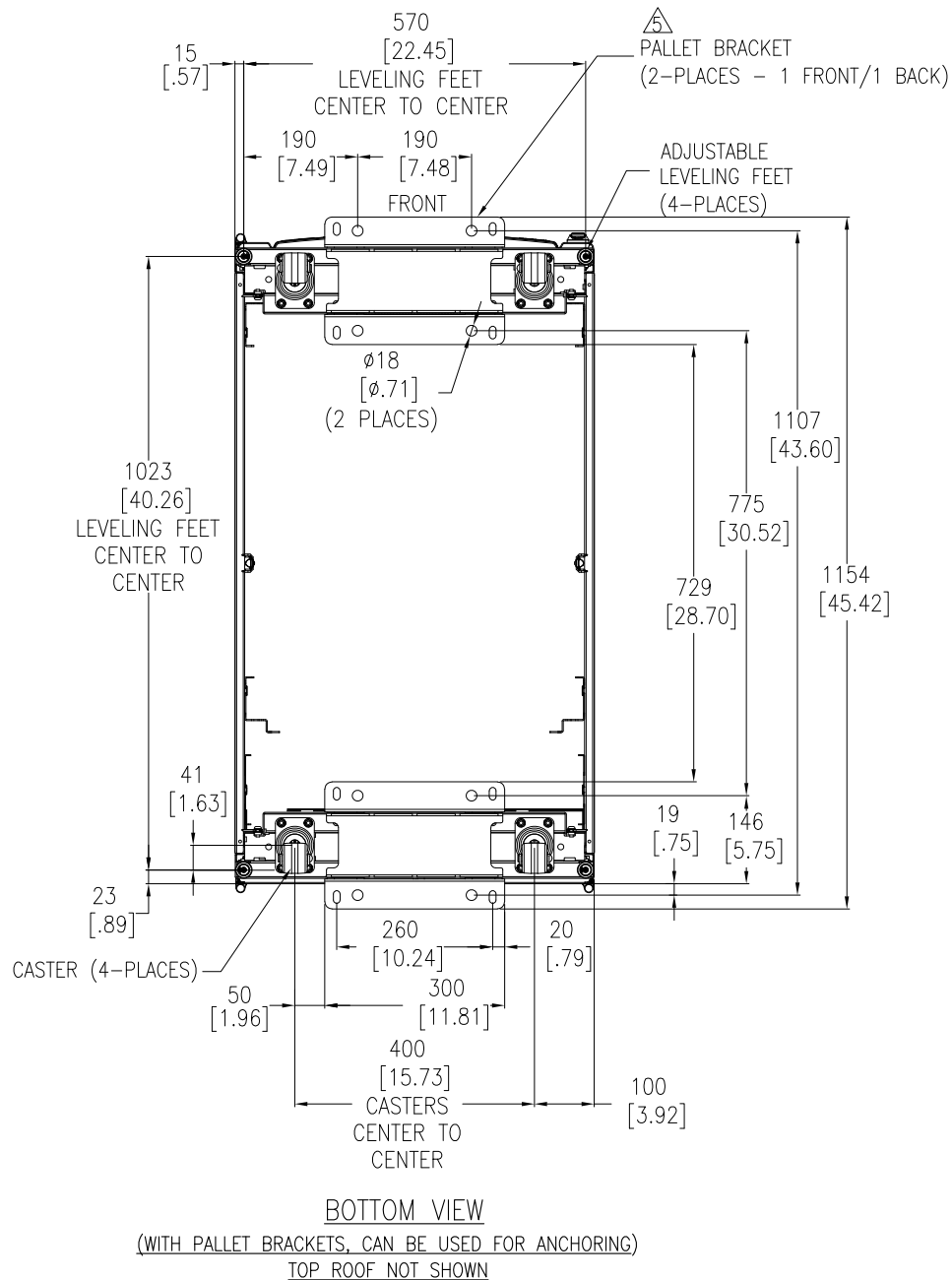
REV. 0

DRAWN BY: ASHISH/JAYAPRAKASH 04-MAR-24
ENGINEER: KIRK SHI 18-MAR-24

FIRST ANGLE PROJECTION

PROJECT: SUBMITTAL DRAWINGS SHEET 2 OF 4

APPROVED BY: KIRK SHI 18-MAR-24

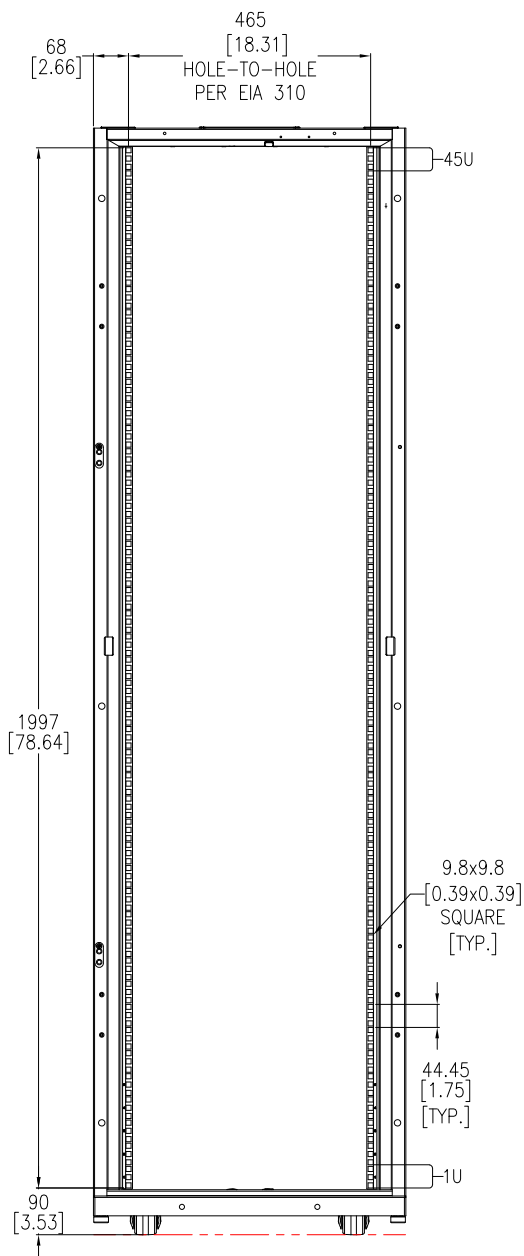


- NOTES:**
1. INSTALLATION SHALL COMPLY WITH ALL APPLICABLE NATIONAL, STATE AND LOCAL ELECTRICAL REGULATIONS.
 2. REFER TO PRODUCT DOCUMENTATION FOR ADDITIONAL DETAILS PRIOR TO INSTALLATION AND SITE PREPARATION WORK.
 3. ALL DIMENSIONS ARE IN MILLIMETERS [INCHES].
 4. SOME STRUCTURAL DETAILS HAVE BEEN OMITTED FOR THE PURPOSE OF CLARITY.
- △ ANCHORING CAN BE INSTALLED EITHER INSIDE OR OUTSIDE THE NetShelter WITH ONE AT FRONT AND ONE IN BACK.
- △ BOLT-DOWN KIT (SKU# AR7701) IS OPTIONAL AND HAS TO BE ORDERED SEPARATELY.

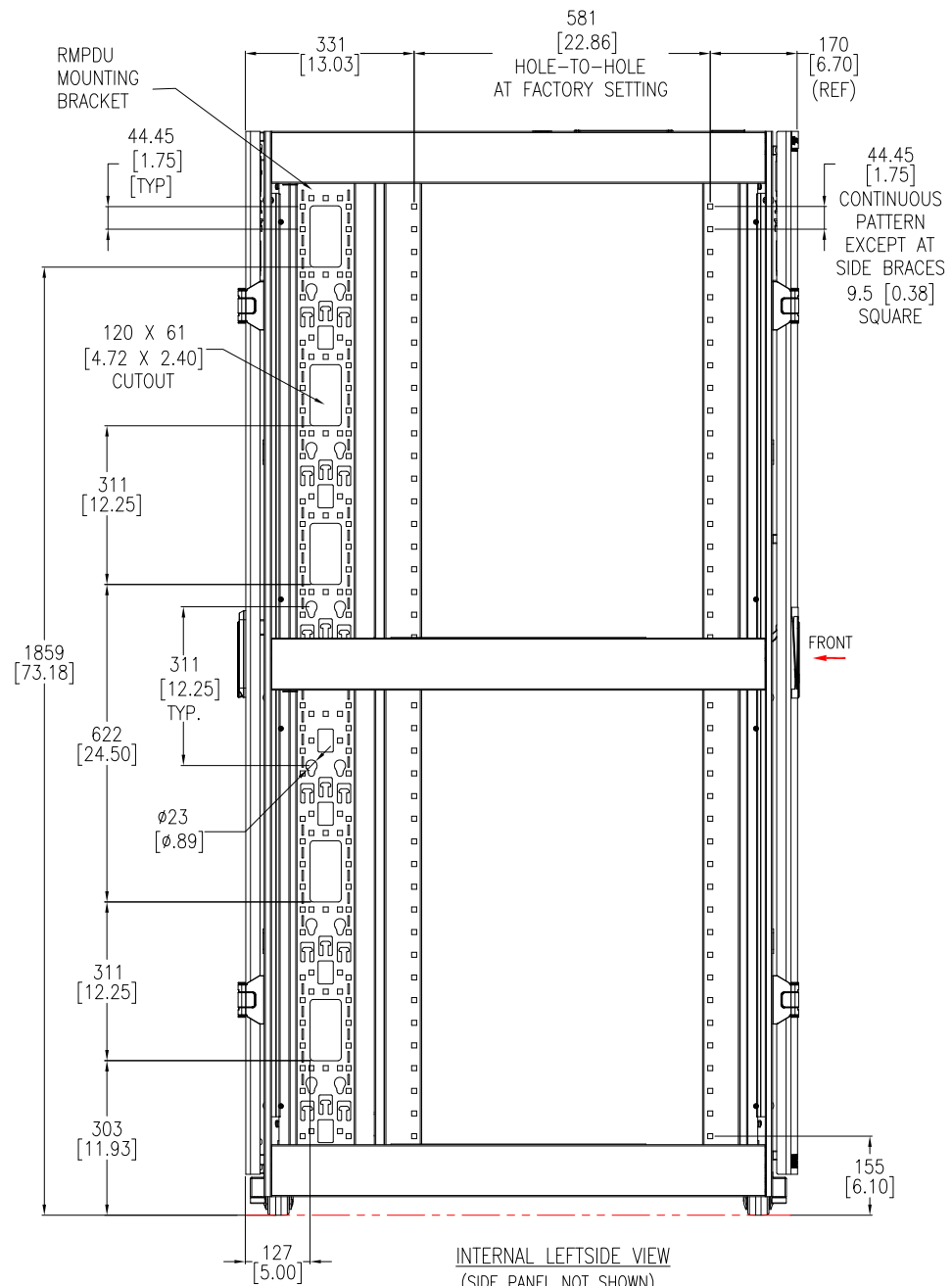
THIS DRAWING AND SPECIFICATIONS HEREIN ARE THE PROPERTY OF SCHNEIDER ELECTRIC AND SHALL NOT BE COPIED, REPRODUCED OR USED IN WHOLE OR IN PART, AS THE BASIS FOR THE MANUFACTURE OR SALE OF ITEMS WITHOUT WRITTEN PERMISSION FROM SCHNEIDER ELECTRIC. THIS DRAWING IS BASED UPON LATEST AVAILABLE INFORMATION AND IS SUBJECT TO CHANGE WITHOUT NOTICE.



TITLE: APC NetShelter SX SERVER RACK GEN 2 45U, 600mm WIDE x 1070mm DEEP PERFORATED DOOR ANCHORING DETAILS	DWG NO: AR3105B2	REV: 0
PROJECT: SUBMITTAL DRAWINGS SHEET 3 OF 4	DRAWN BY: ASHISH/JAYAPRAKASH ENGINEER: KIRK SHI	04-MAR-24 18-MAR-24
	APPROVED BY: KIRK SHI	18-MAR-24
		FIRST ANGLE PROJECTION



INTERNAL FRONT VIEW
(DOORS NOT SHOWN)



INTERNAL LEFTSIDE VIEW
(SIDE PANEL NOT SHOWN)

- NOTES:
1. INSTALLATION SHALL COMPLY WITH ALL APPLICABLE NATIONAL, STATE AND LOCAL ELECTRICAL REGULATIONS.
 2. REFER TO PRODUCT DOCUMENTATION FOR ADDITIONAL DETAILS PRIOR TO INSTALLATION AND SITE PREPARATION WORK.
 3. ALL DIMENSIONS ARE IN MILLIMETERS [INCHES].
 4. SOME STRUCTURAL DETAILS HAVE BEEN OMITTED FOR THE PURPOSE OF CLARITY.

THIS DRAWING AND SPECIFICATIONS HEREIN ARE THE PROPERTY OF SCHNEIDER ELECTRIC AND SHALL NOT BE COPIED, REPRODUCED OR USED IN WHOLE OR IN PART, AS THE BASIS FOR THE MANUFACTURE OR SALE OF ITEMS WITHOUT WRITTEN PERMISSION FROM SCHNEIDER ELECTRIC. THIS DRAWING IS BASED UPON LATEST AVAILABLE INFORMATION AND IS SUBJECT TO CHANGE WITHOUT NOTICE.



TITLE: APC NetShelter SX SERVER RACK GEN 2
45U, 600mm WIDE x 1070mm DEEP
PERFORATED DOOR
INTERNAL VIEWS

PROJECT: SUBMITTAL DRAWINGS SHEET 4 OF 4

DWG NO: AR3105B2

DRAWN BY: ASHISH/JAYAPRAKASH 04-MAR-24

ENGINEER: KIRK SHI 18-MAR-24

APPROVED BY: KIRK SHI 18-MAR-24

REV: 0

FIRST ANGLE PROJECTION