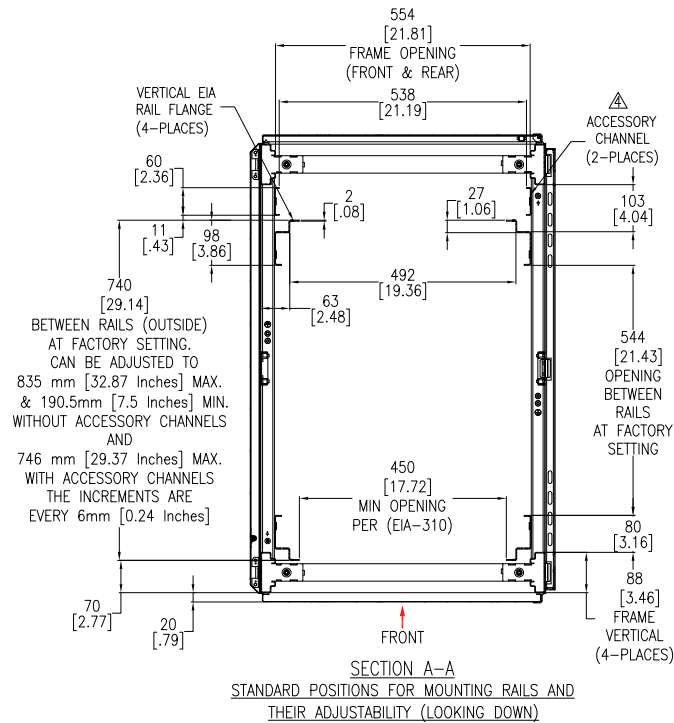
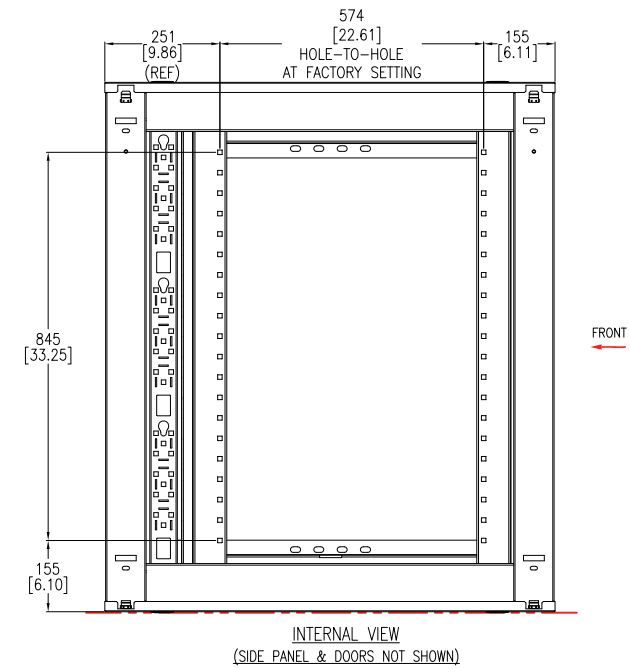
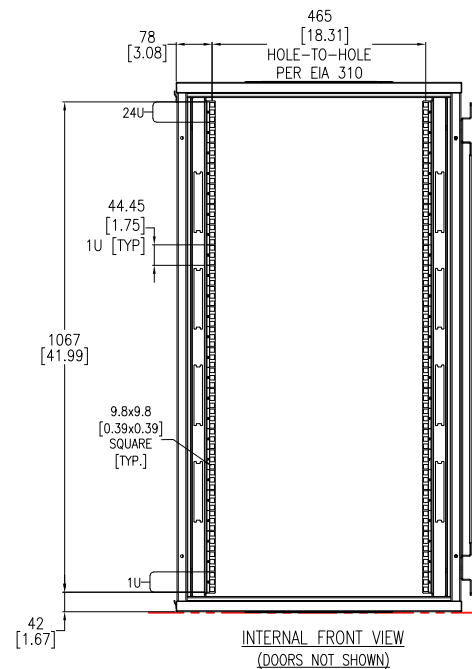
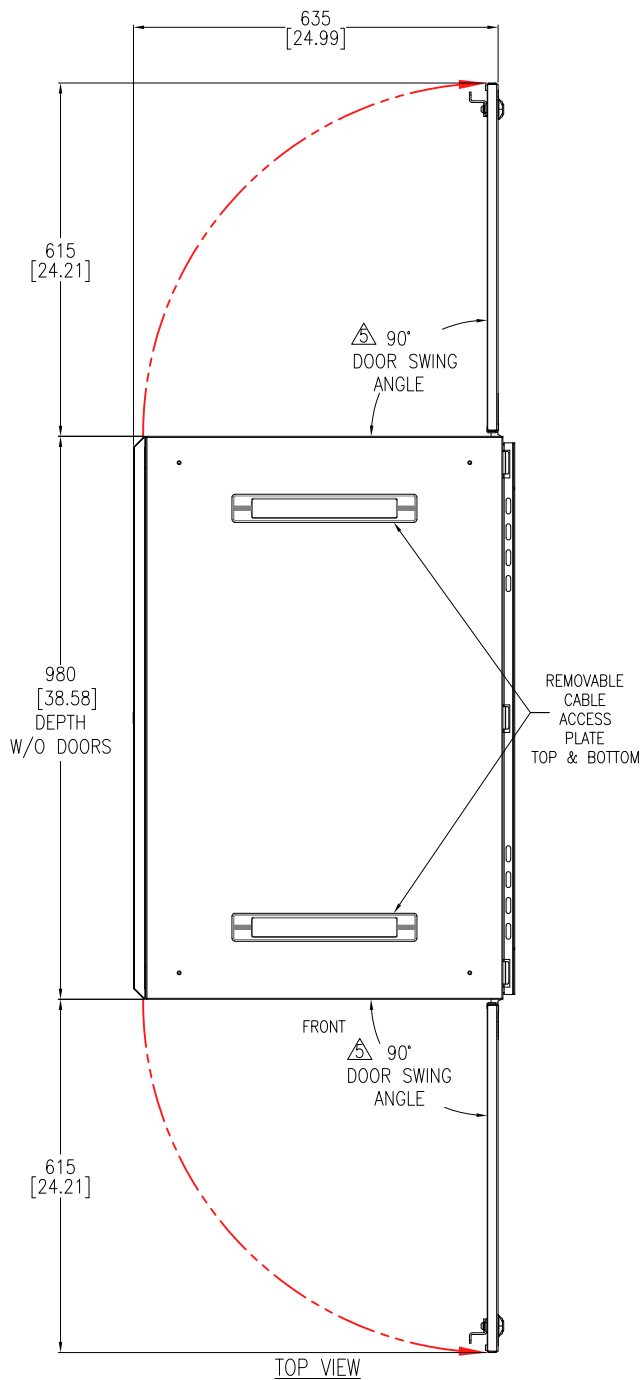


- NOTES:**
1. INSTALLATION SHALL COMPLY WITH ALL APPLICABLE NATIONAL, STATE AND LOCAL ELECTRICAL REGULATIONS.
 2. REFER TO PRODUCT DOCUMENTATION FOR ADDITIONAL DETAILS PRIOR TO INSTALLATION AND SITE PREPARATION WORK.
 3. ALL DIMENSIONS ARE IN MILLIMETERS [INCHES].
 4. FRONT AND REAR ACCESS REQUIRED FOR SERVICE. MINIMUM REQUIRED FRONT/REAR CLEARANCE IS 914 [36.0].
 5. NET WEIGHT OF UNIT IS 80kg [176 lb].
 6. CABLE ENTRY IS TOP OR BOTTOM OF THE UNIT.
 7. FRONT SERVICE ACCESS REQUIRED.
 8. AIR FLOW AND SERVICE REQUIREMENTS, AS WELL AS MINIMUM CLEARANCE TO FIRE SUPPRESSION SYSTEMS SHOULD BE CONSIDERED WHEN LOCATING THE ENCLOSURE.

THIS DRAWING AND SPECIFICATIONS HEREIN ARE THE PROPERTY OF SCHNEIDER ELECTRIC AND SHALL NOT BE COPIED, REPRODUCED OR USED IN WHOLE OR IN PART, AS THE BASIS FOR THE MANUFACTURE OR SALE OF ITEMS WITHOUT WRITTEN PERMISSION FROM SCHNEIDER ELECTRIC. THIS DRAWING IS BASED UPON LATEST AVAILABLE INFORMATION AND IS SUBJECT TO CHANGE WITHOUT NOTICE.



TITLE: APC NetShelter WX 24U 800mm ENCLOSURE WALL-MOUNT RACK ENCLOSURE CABINET SIDE MOUNT UPS DEPTH GENERAL ARRANGEMENT	DWG NO: AR124SM	REV: 0
PROJECT: SUBMITTAL DRAWINGS SHEET 1 OF 2	DRAWN BY: DIBYA/JAYAPRAKASH ENGINEER: RICHARD PHILLIPS APPROVED BY: JAKE ZIMMER	05-APR-24 09-APR-24 09-APR-24
		FIRST ANGLE PROJECTION



- NOTES:
1. INSTALLATION SHALL COMPLY WITH ALL APPLICABLE NATIONAL, STATE AND LOCAL ELECTRICAL REGULATIONS.
 2. REFER TO PRODUCT DOCUMENTATION FOR ADDITIONAL DETAILS PRIOR TO INSTALLATION AND SITE PREPARATION WORK.
 3. ALL DIMENSIONS ARE IN MILLIMETERS [INCHES].
 4. THE ACCESSORY CHANNELS CAN BE REMOVED, IF DESIRED.
 5. DOOR SWING ANGLE IS 180° AND 90° WHEN MOUNTED TO THE WALL.
 6. SOME STRUCTURAL DETAILS HAVE BEEN OMITTED FOR THE PURPOSE OF CLARITY.

THIS DRAWING AND SPECIFICATIONS HEREIN ARE THE PROPERTY OF SCHNEIDER ELECTRIC AND SHALL NOT BE COPIED, REPRODUCED OR USED IN WHOLE OR IN PART, AS THE BASIS FOR THE MANUFACTURE OR SALE OF ITEMS WITHOUT WRITTEN PERMISSION FROM SCHNEIDER ELECTRIC. THIS DRAWING IS BASED UPON LATEST AVAILABLE INFORMATION AND IS SUBJECT TO CHANGE WITHOUT NOTICE.



TITLE: APC NetShelter WX 24U 800mm ENCLOSURE WALL-MOUNT RACK ENCLOSURE CABINET SIDE MOUNT UPS DEPTH INTERNAL & SECTION VIEW	DWG NO: AR124SM	REV: 0
PROJECT: SUBMITTAL DRAWINGS SHEET 2 OF 2	DRAWN BY: DIBYA/JAYAPRAKASH	05-APR-24
	ENGINEER: RICHARD PHILLIPS	09-APR-24
	APPROVED BY: JAKE ZIMMER	09-APR-24
		FIRST ANGLE PROJECTION