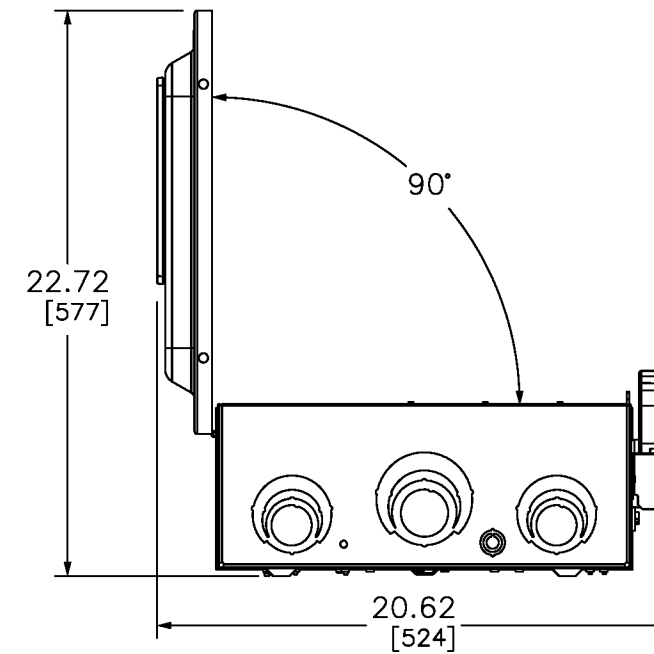
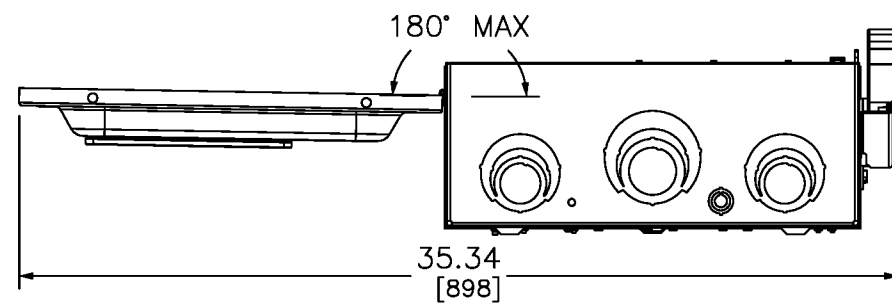
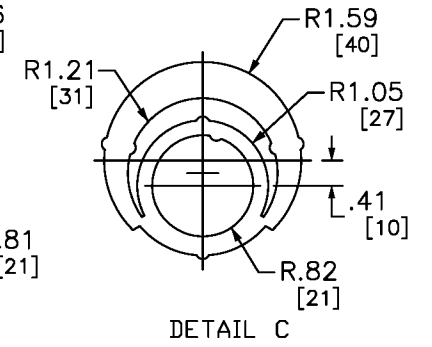
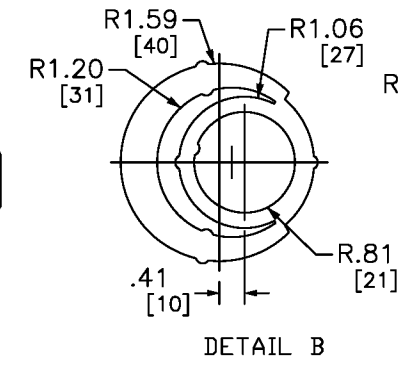
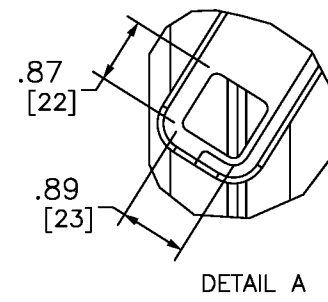
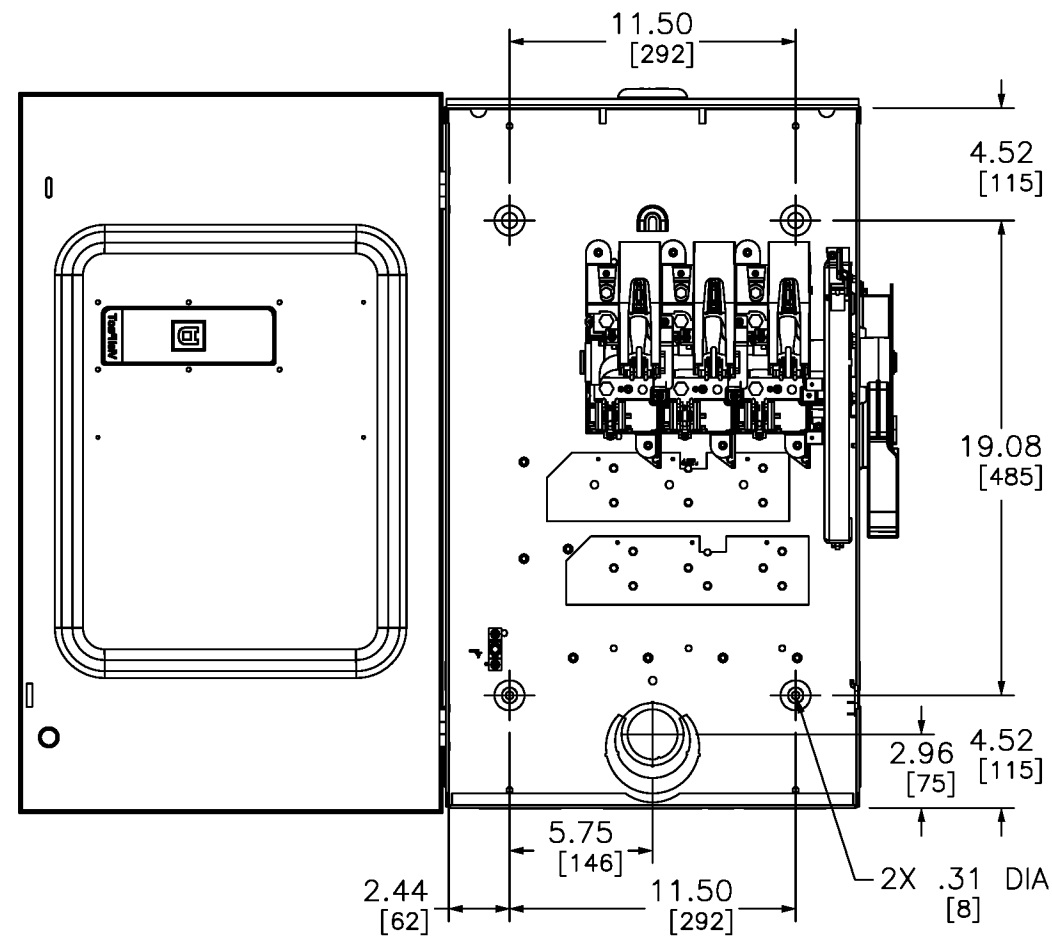


DUAL DIMENSIONS: INCHES
MILLIMETERS

HEAVY DUTY SAFETY SWITCH
VISIBLE BLADE TYPE
200 AMPERE
ENCLOSURE - NEMA TYPE 3R



DWG# VHU364RGL PG 1
NO.



DUAL DIMENSIONS: INCHES
MILLIMETERS

HEAVY DUTY SAFETY SWITCH
VISIBLE BLADE TYPE
200 AMPERE
ENCLOSURE - NEMA TYPE 3R

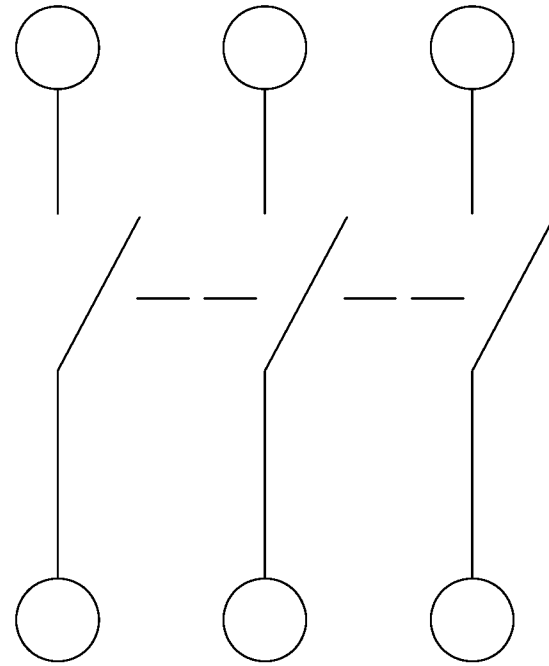
SQUARE DTM
by Schneider Electric

DWG# VHU364RGL PG 2
NO.

CATALOG NUMBER	VOLTAGE RATING	AMPERAGE RATING	ENCLOSURE RATING
VHU364RGL	600VAC/VDC	200A	TYPE 3R

LINE SIDE

ACCEPTS: 6 AWG – 300 KCMIL (AL-CU)



LOAD SIDE

ACCEPTS: 6 AWG – 300 KCMIL (AL-CU)

NOTES:

FINISH – GALVANNEAL STEEL, GRAY BAKED ENAMEL

LUGS SUITABLE FOR 75~C AL-CU CONDUCTORS

SHORT CIRCUIT CURRENT RATINGS:
 10,000 RMS SYMMETRICAL AMPERES WHEN USED IN CONJUNCTION WITH CLASS H OR K FUSES.
 200,000 RMS SYMMETRICAL AMPERES WHEN USED IN CONJUNCTION WITH CLASS R, J OR T FUSES.
 ON 600V SWITCHES, 100,000 AMPERES MAX ON CORNER GROUNDED DELTA WHEN PROTECTED
 BY CLASS J OR R FUSES, 200 AMPERE MAX

cULus LISTED – FILE E2875

SEISMIC NOTES:
 USE (4) 1/4" DIA GRADE 5 STEEL MOUNTING BOLTS AT SWITCH MOUNTING HOLES. MAX CONFIGURED WEIGHT 55
 LB FOR THE PURPOSE OF DETERMINING SEISMIC ANCHORAGE REQUIREMENTS. FOR ALL OTHER APPLICATIONS,
 CONTACT SQUARE D COMPANY.

HORSEPOWER RATINGS			
VOLTS	Ø	STD	MAX
*240V~	1	--	15
**240V~	3	--	60
*480V	1	--	50
**480V~	3	--	125
*600V~	1	--	50
**600V~	3	--	150
*250V =	--	40	--
*600V =	--	50	--

*USE ANY TWO SWITCHING POLES.

**IF CORNER GROUNDED DELTA,
 INSTALL NEUTRAL AND USE ANY
 TWO SWITCHING POLES FOR
 UNGROUNDED CONDUCTORS.

ACCESORIES		
KIT	VOLTAGE	PART NUMBER
ELECTRICAL INTERLOCK	600V & 240V	EIK1, EIK2
CLASS R FUSE KITS	600V & 240V	HRK1020
INTERNAL BARRIER	600V & 240V	SS20
SOLID NEUTRAL ASSEMBLY	600V & 240V	SN20A for Al SN20C for Cu FOR CANADA: CSN20A for Al CSN20C for Cu
EQUIPMENT GROUNDING KIT	600V & 240V	PKOGTA2 for Al PKOGTC2 for Cu
TOUCH UP PAINT	600V & 240V	PK49SP
LOCK OFF/ON	600V & 240V	LOGK2
COPPER LUGS	600V & 240V	CL20F
DOUBLE LUG	600V & 240V	AL20DTF
COMPRESSION LUGS	600V & 240V	VCELO30516H1 for Al VCELC030516H1 for Cu

SWITCH RATING (A)	FUSE OR CIRCUIT BREAKER TYPE	3-PHASE			250VDC
		240 VAC	480 VAC	600 VAC	
WITH UPSTREAM FUSE PROTECTION					
ALL	H,K	10 kA	10 kA	10 kA	UP TO 10KA
	R, T, J, L	200 kA	200 kA	200 kA	
WITH UPSTREAM FUSE PROTECTION					
ALL	ANY BRAND CIRCUIT BREAKER	10 kA	10 kA	10 kA	UP TO 10KA
200A	POWERPACT HD	25 kA	18 kA	14 kA	UP TO 10KA
200A	POWERPACT HG	65 kA	35 kA	18 kA	UP TO 10KA
200A	POWERPACT HJ	65 kA	35 kA	25 kA	UP TO 10KA
200A	POWERPACT HL	65 kA	35 kA	35 kA	UP TO 10KA
200A	POWERPACT HR	65 kA	35 kA	35 kA	UP TO 10KA
200A	FA	14 kA	14 kA	14 kA	UP TO 10KA
200A	FH	18 kA	18 kA	18 kA	UP TO 10KA

SWITCH RATING (A)	FUSE OR CIRCUIT BREAKER TYPE	240VAC	480VAC	600Y/347 VAC	250VDC
		WITH UPSTREAM CIRCUIT BREAKER PROTECTION			
200A	POWERPACT BD	25 kA	18 kA	14 kA	UP TO 10KA
200A	POWERPACT BG	65 kA	35 kA	18 kA	UP TO 10KA
200A	POWERPACT BJ & BK	65 kA	35 kA	25 kA	UP TO 10KA

HEAVY DUTY SAFETY SWITCH
 VISIBLE BLADE TYPE
 200 AMPERE
 ENCLOSURE – NEMA TYPE 3R



DWG# VHU364RGL PG 3
 NO.