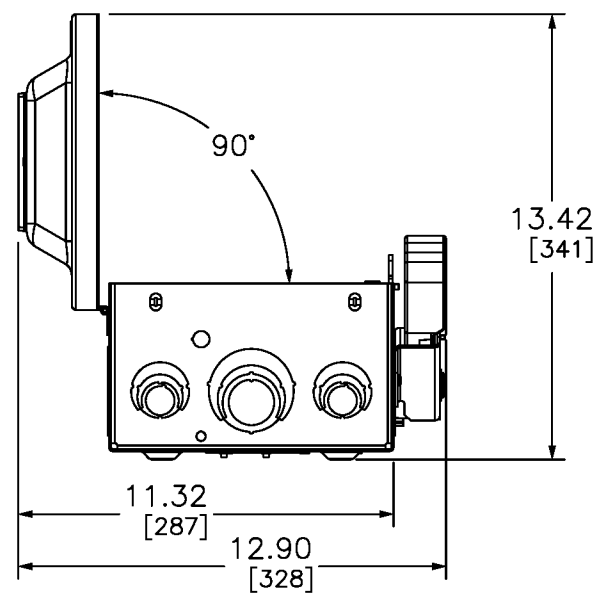
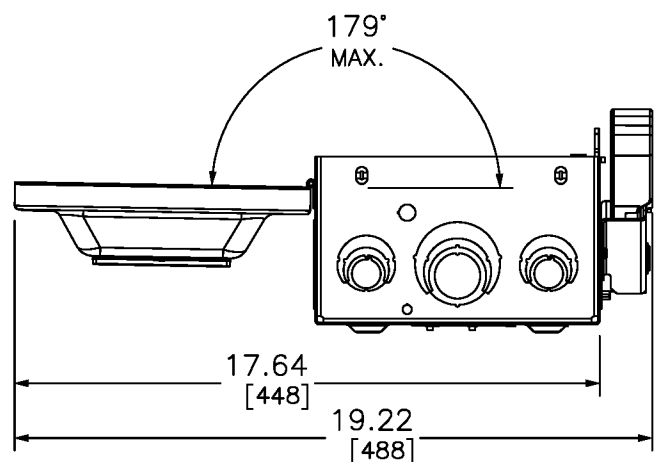
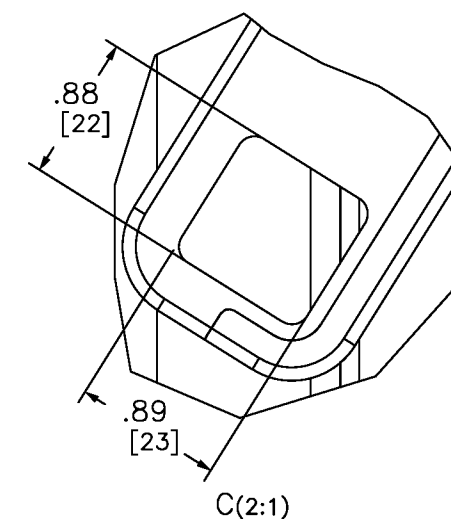
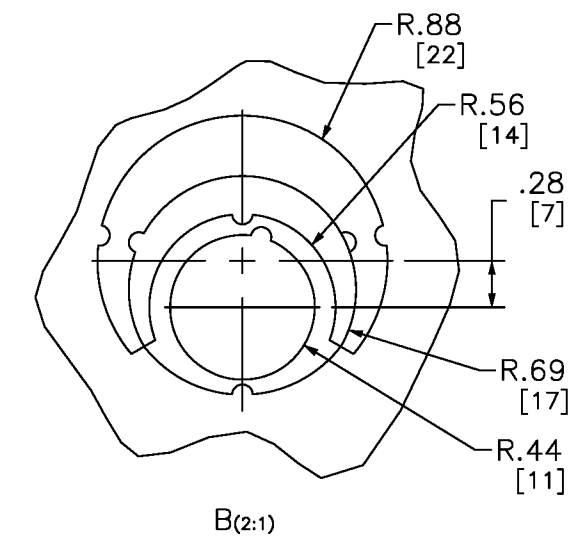
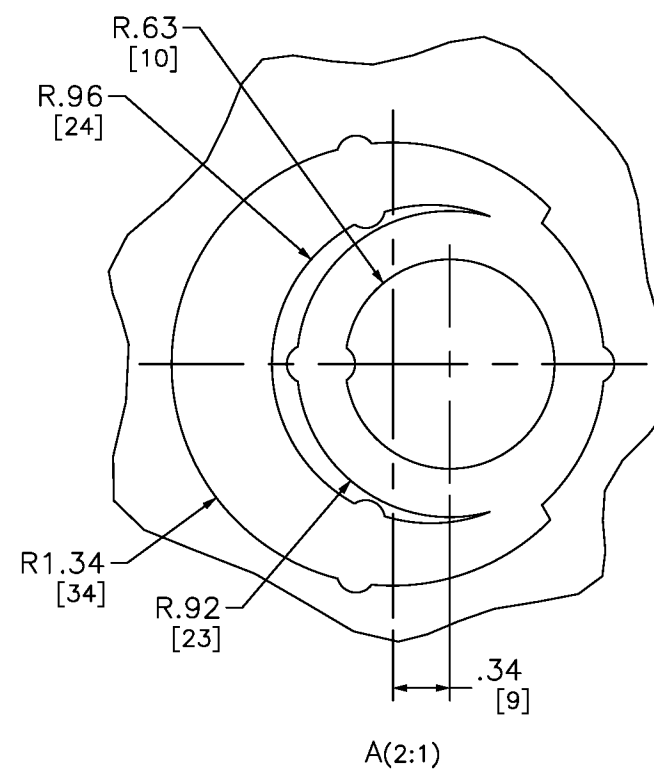
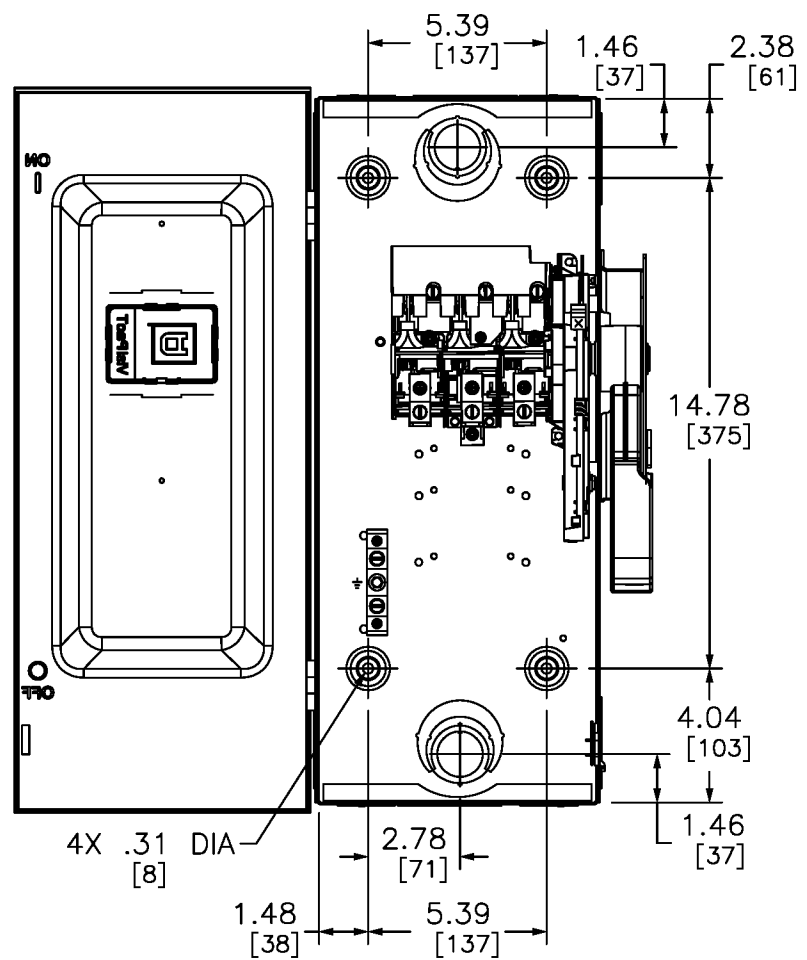


DUAL DIMENSIONS: INCHES
MILLIMETERS

HEAVY DUTY SAFETY SWITCH
VISIBLE BLADE TYPE
100 AMPERE
ENCLOSURE - NEMA TYPE 1

SQUARE D[™]
by Schneider Electric

DWG# VHU363GL PG 1
NO.

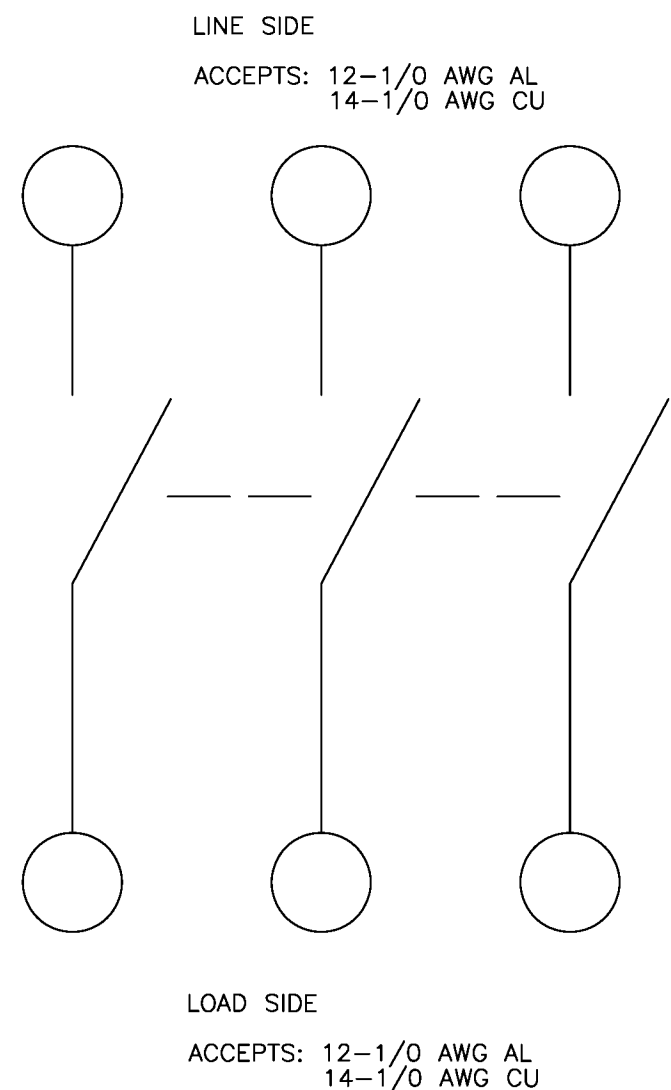


DUAL DIMENSIONS: INCHES
MILLIMETERS

HEAVY DUTY SAFETY SWITCH
VISIBLE BLADE TYPE
100 AMPERE
ENCLOSURE - NEMA TYPE 1

SQUARE DTM
by Schneider Electric

DWG# VHU363GL PG 2
NO.



CATALOG NUMBER	VOLTAGE RATING	AMPERAGE RATING	ENCLOSURE RATING
VHU363GL	600VAC/VDC	100A	TYPE 1

HORSEPOWER RATINGS			
VOLTS	Ø	STD	MAX
120V~	1	--	7.5
*240V~	1	--	20
**240V~	3	--	40
*480V~	1	--	40
+480V~	3	--	60
++480V~	3	--	75
*600V~	1	--	40
600V~	3	--	100
*125V=	--	--	7.5
*250V=	--	--	20
*600V=	--	--	50

*USE BOTH OUTER SWITCHING POLES

**FOR CORNER GROUNDED DELTA ONLY, INSTALL NEUTRAL AND USE SWITCHING POLES FOR UNGROUNDED CONDUCTORS

+NOT APPLICABLE FOR CORNER GROUNDED

ACCESSORIES		
KIT	VOLTAGE	PART NUMBER
ELECTRICAL INTERLOCK	600V & 240V	EIK1, EIK2
CLASS R FUSE KITS	600V & 240V	RFK10
INTERNAL BARRIER	600V & 240V	SS10
FUSE PULLER	600V & 240V	JFPK0610
SOLID NEUTRAL ASSEMBLY	600V & 240V	SN0610 for Al SN0610C for Cu FOR CANADA: CSN0610 for Al CSN0610C for Cu
EQUIPMENT GROUNDING KIT	600V & 240V	GTK0610 for Al GTK0610C for Cu
TOUCH UP PAINT	600V & 240V	PK49SP
LOCK OFF/ON	600V & 240V	LOGK2
COPPER LUGS	600V & 240V	CL10F
COMPRESSION LUGS	600V & 240V	VCEL02114S1 for Al VCELC02114S1 for Cu

NOTES:

FINISH – COLD ROLLED STEEL, GRAY BAKED ENAMEL

LUGS SUITABLE FOR 60~C OR 75~C AL-CU CONDUCTORS

SHORT CIRCUIT CURRENT RATINGS:
10,000 RMS SYMMETRICAL AMPERES WHEN USED IN CONJUNCTION WITH CLASS H OR K FUSES.
200,000 RMS SYMMETRICAL AMPERES WHEN USED IN CONJUNCTION WITH CLASS R, J OR T FUSES.

cULus LISTED – FILE E2875

SEISMIC NOTES:
USE (4) 1/4" DIA GRADE 5 STEEL MOUNTING BOLTS AT SWITCH MOUNTING HOLES. MAX CONFIGURED WEIGHT 22 LB FOR THE PURPOSE OF DETERMINING SEISMIC ANCHORAGE REQUIREMENTS.
FOR ALL OTHER APPLICATIONS, CONTACT SQUARE D COMPANY.

SWITCH RATING (A)	FUSE OR CIRCUIT BREAKER TYPE	3-PHASE			250VDC
		240 VAC	480 VAC	600 VAC	
WITH UPSTREAM FUSE PROTECTION					
ALL	H,K	10 kA	10 kA	10 kA	UP TO 10KA
	R, T, J, L	200 kA	200 kA	200 kA	
WITH UPSTREAM FUSE PROTECTION					
ALL	ANY BRAND CIRCUIT BREAKER	10 kA	10 kA	10 kA	UP TO 10KA
100A	POWERPACT HD	25 kA	18 kA	14 kA	UP TO 10KA
100A	POWERPACT HG	65 kA	35 kA	18 kA	UP TO 10KA
100A	POWERPACT HJ	65 kA	35 kA	25 kA	UP TO 10KA
100A	POWERPACT HL	65 kA	35 kA	35 kA	UP TO 10KA
100A	POWERPACT HR	65 kA	35 kA	35 kA	UP TO 10KA
100A	FA	14 kA	14 kA	14 kA	UP TO 10KA
100A	FH	18 kA	18 kA	18 kA	UP TO 10KA

SWITCH RATING (A)	FUSE OR CIRCUIT BREAKER TYPE	240VAC	480VAC	600Y/347 VAC	250VDC
		WITH UPSTREAM CIRCUIT BREAKER PROTECTION			
100A	POWERPACT BD	25 kA	18 kA	14 kA	UP TO 10KA
100A	POWERPACT BG	65 kA	35 kA	18 kA	UP TO 10KA
100A	POWERPACT BJ & BK	65 kA	35 kA	25 kA	UP TO 10KA

HEAVY DUTY SAFETY SWITCH
VISIBLE BLADE TYPE
100 AMPERE
ENCLOSURE – NEMA TYPE 1



DWG# VHU363GL PG 3
NO.